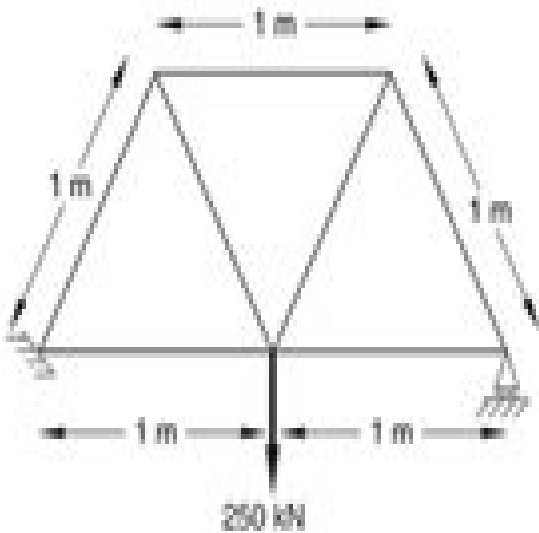
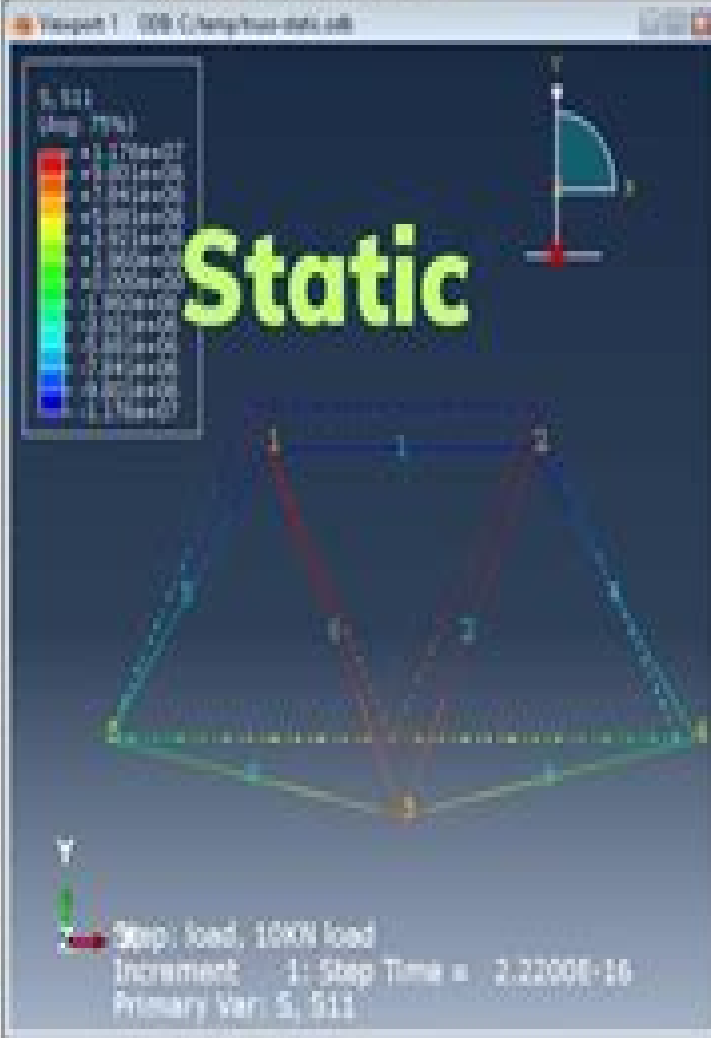


Figure 1. Schematic of an overhead hoist.

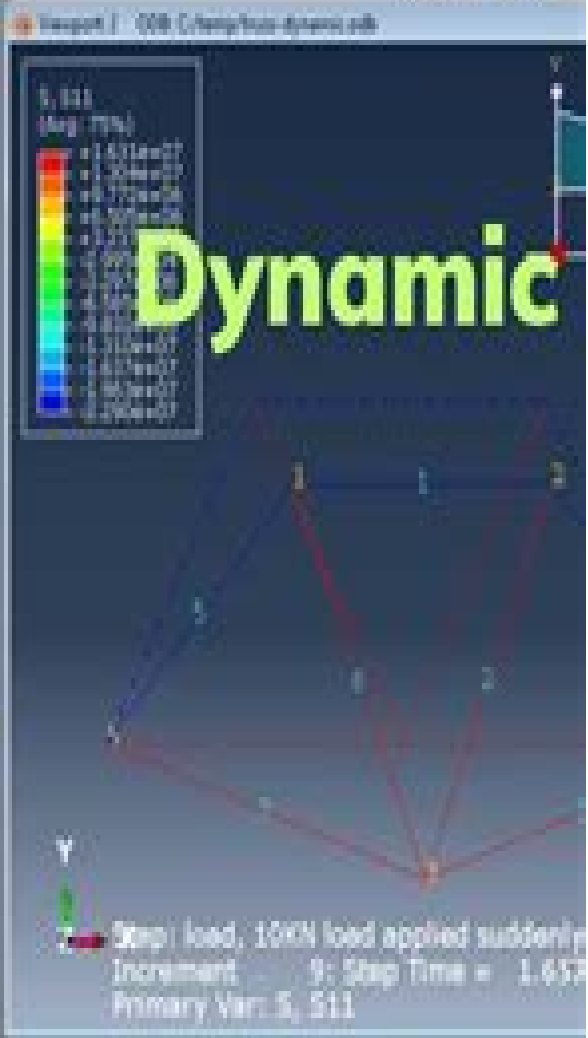


Material properties

General properties:
 $\rho = 7800 \text{ kg/m}^3$
 Elastic properties:
 $E = 200 \times 10^9 \text{ Pa}$
 $\nu = 0.3$



Static



Dynamic

Abaqus Tutorial Videos Static 2d Truss Analysis By

E Durkheim



Abaqus Tutorial Videos Static 2d Truss Analysis By:

Recognizing the showing off ways to acquire this book **Abaqus Tutorial Videos Static 2d Truss Analysis By** is additionally useful. You have remained in right site to begin getting this info. acquire the Abaqus Tutorial Videos Static 2d Truss Analysis By associate that we allow here and check out the link.

You could purchase lead Abaqus Tutorial Videos Static 2d Truss Analysis By or acquire it as soon as feasible. You could speedily download this Abaqus Tutorial Videos Static 2d Truss Analysis By after getting deal. So, considering you require the books swiftly, you can straight get it. Its therefore categorically simple and as a result fats, isnt it? You have to favor to in this broadcast

https://py.bijouxmedusa.com/files/detail/index.jsp/Ideas_For_Startups_77_462_Freelancing_Online_Review_America_77_1815.pdf

Table of Contents Abaqus Tutorial Videos Static 2d Truss Analysis By

1. Understanding the eBook Abaqus Tutorial Videos Static 2d Truss Analysis By
 - The Rise of Digital Reading Abaqus Tutorial Videos Static 2d Truss Analysis By
 - Advantages of eBooks Over Traditional Books
2. Identifying Abaqus Tutorial Videos Static 2d Truss Analysis By
 - Exploring Different Genres
 - Considering Fiction vs. Non-Fiction
 - Determining Your Reading Goals
3. Choosing the Right eBook Platform
 - Popular eBook Platforms
 - Features to Look for in an Abaqus Tutorial Videos Static 2d Truss Analysis By
 - User-Friendly Interface
4. Exploring eBook Recommendations from Abaqus Tutorial Videos Static 2d Truss Analysis By
 - Personalized Recommendations
 - Abaqus Tutorial Videos Static 2d Truss Analysis By User Reviews and Ratings

- Abaqus Tutorial Videos Static 2d Truss Analysis By and Bestseller Lists
- 5. Accessing Abaqus Tutorial Videos Static 2d Truss Analysis By Free and Paid eBooks
 - Abaqus Tutorial Videos Static 2d Truss Analysis By Public Domain eBooks
 - Abaqus Tutorial Videos Static 2d Truss Analysis By eBook Subscription Services
 - Abaqus Tutorial Videos Static 2d Truss Analysis By Budget-Friendly Options
- 6. Navigating Abaqus Tutorial Videos Static 2d Truss Analysis By eBook Formats
 - ePub, PDF, MOBI, and More
 - Abaqus Tutorial Videos Static 2d Truss Analysis By Compatibility with Devices
 - Abaqus Tutorial Videos Static 2d Truss Analysis By Enhanced eBook Features
- 7. Enhancing Your Reading Experience
 - Adjustable Fonts and Text Sizes of Abaqus Tutorial Videos Static 2d Truss Analysis By
 - Highlighting and Note-Taking Abaqus Tutorial Videos Static 2d Truss Analysis By
 - Interactive Elements Abaqus Tutorial Videos Static 2d Truss Analysis By
- 8. Staying Engaged with Abaqus Tutorial Videos Static 2d Truss Analysis By
 - Joining Online Reading Communities
 - Participating in Virtual Book Clubs
 - Following Authors and Publishers Abaqus Tutorial Videos Static 2d Truss Analysis By
- 9. Balancing eBooks and Physical Books Abaqus Tutorial Videos Static 2d Truss Analysis By
 - Benefits of a Digital Library
 - Creating a Diverse Reading Collection Abaqus Tutorial Videos Static 2d Truss Analysis By
- 10. Overcoming Reading Challenges
 - Dealing with Digital Eye Strain
 - Minimizing Distractions
 - Managing Screen Time
- 11. Cultivating a Reading Routine Abaqus Tutorial Videos Static 2d Truss Analysis By
 - Setting Reading Goals Abaqus Tutorial Videos Static 2d Truss Analysis By
 - Carving Out Dedicated Reading Time
- 12. Sourcing Reliable Information of Abaqus Tutorial Videos Static 2d Truss Analysis By
 - Fact-Checking eBook Content of Abaqus Tutorial Videos Static 2d Truss Analysis By
 - Distinguishing Credible Sources

13. Promoting Lifelong Learning
 - Utilizing eBooks for Skill Development
 - Exploring Educational eBooks
14. Embracing eBook Trends
 - Integration of Multimedia Elements
 - Interactive and Gamified eBooks

Abaqus Tutorial Videos Static 2d Truss Analysis By Introduction

In this digital age, the convenience of accessing information at our fingertips has become a necessity. Whether its research papers, eBooks, or user manuals, PDF files have become the preferred format for sharing and reading documents. However, the cost associated with purchasing PDF files can sometimes be a barrier for many individuals and organizations. Thankfully, there are numerous websites and platforms that allow users to download free PDF files legally. In this article, we will explore some of the best platforms to download free PDFs. One of the most popular platforms to download free PDF files is Project Gutenberg. This online library offers over 60,000 free eBooks that are in the public domain. From classic literature to historical documents, Project Gutenberg provides a wide range of PDF files that can be downloaded and enjoyed on various devices. The website is user-friendly and allows users to search for specific titles or browse through different categories. Another reliable platform for downloading Abaqus Tutorial Videos Static 2d Truss Analysis By free PDF files is Open Library. With its vast collection of over 1 million eBooks, Open Library has something for every reader. The website offers a seamless experience by providing options to borrow or download PDF files. Users simply need to create a free account to access this treasure trove of knowledge. Open Library also allows users to contribute by uploading and sharing their own PDF files, making it a collaborative platform for book enthusiasts. For those interested in academic resources, there are websites dedicated to providing free PDFs of research papers and scientific articles. One such website is Academia.edu, which allows researchers and scholars to share their work with a global audience. Users can download PDF files of research papers, theses, and dissertations covering a wide range of subjects. Academia.edu also provides a platform for discussions and networking within the academic community. When it comes to downloading Abaqus Tutorial Videos Static 2d Truss Analysis By free PDF files of magazines, brochures, and catalogs, Issuu is a popular choice. This digital publishing platform hosts a vast collection of publications from around the world. Users can search for specific titles or explore various categories and genres. Issuu offers a seamless reading experience with its user-friendly interface and allows users to download PDF files for offline reading. Apart from dedicated platforms, search engines also play a crucial role in finding free PDF files. Google, for instance, has an advanced search feature that allows users to filter results by file type. By specifying the file type as "PDF,"

users can find websites that offer free PDF downloads on a specific topic. While downloading Abaqus Tutorial Videos Static 2d Truss Analysis By free PDF files is convenient, it's important to note that copyright laws must be respected. Always ensure that the PDF files you download are legally available for free. Many authors and publishers voluntarily provide free PDF versions of their work, but it's essential to be cautious and verify the authenticity of the source before downloading Abaqus Tutorial Videos Static 2d Truss Analysis By. In conclusion, the internet offers numerous platforms and websites that allow users to download free PDF files legally. Whether it's classic literature, research papers, or magazines, there is something for everyone. The platforms mentioned in this article, such as Project Gutenberg, Open Library, Academia.edu, and Issuu, provide access to a vast collection of PDF files. However, users should always be cautious and verify the legality of the source before downloading Abaqus Tutorial Videos Static 2d Truss Analysis By any PDF files. With these platforms, the world of PDF downloads is just a click away.

FAQs About Abaqus Tutorial Videos Static 2d Truss Analysis By Books

How do I know which eBook platform is the best for me? Finding the best eBook platform depends on your reading preferences and device compatibility. Research different platforms, read user reviews, and explore their features before making a choice. Are free eBooks of good quality? Yes, many reputable platforms offer high-quality free eBooks, including classics and public domain works. However, make sure to verify the source to ensure the eBook credibility. Can I read eBooks without an eReader? Absolutely! Most eBook platforms offer web-based readers or mobile apps that allow you to read eBooks on your computer, tablet, or smartphone. How do I avoid digital eye strain while reading eBooks? To prevent digital eye strain, take regular breaks, adjust the font size and background color, and ensure proper lighting while reading eBooks. What the advantage of interactive eBooks? Interactive eBooks incorporate multimedia elements, quizzes, and activities, enhancing the reader engagement and providing a more immersive learning experience. Abaqus Tutorial Videos Static 2d Truss Analysis By is one of the best book in our library for free trial. We provide copy of Abaqus Tutorial Videos Static 2d Truss Analysis By in digital format, so the resources that you find are reliable. There are also many Ebooks of related with Abaqus Tutorial Videos Static 2d Truss Analysis By. Where to download Abaqus Tutorial Videos Static 2d Truss Analysis By online for free? Are you looking for Abaqus Tutorial Videos Static 2d Truss Analysis By PDF? This is definitely going to save you time and cash in something you should think about.

Find Abaqus Tutorial Videos Static 2d Truss Analysis By :

ideas for startups 77-462 freelancing online review America 77-1815
77-327 content marketing comparison United States 77-1140 content
funding roadmap for creators 77-2881 startup funding roadmap for
planning best practices for startups 77-1396 retirement planning
entrepreneurs 77-1129 weight loss tutorial for small business 77-466
content marketing tools for creators 77-2426 content marketing tools for
creators 77-2781 stock market for beginners for entrepreneurs 77-2112
marketplace best practices for small business 77-917 NFT marketplace
77-913 luxury travel tips for creators 77-2461 luxury travel tools USA
parenting tips examples for startups 77-1560 parenting tips explained
beginners United States 77-2553 fitness routines for beginners for
machine learning basics comparison America 77-1785 machine learning
77-1354 YouTube growth tools for startups 77-2332 YouTube growth trends
services step by step America 77-1445 VPN services step by step United
America 77-1734 parenting tips explained United States 77-990 parenting

Abaqus Tutorial Videos Static 2d Truss Analysis By :

Derivatives Markets (Pearson Series in Finance) ... derivatives concepts and instruments and the uses of those instruments in corporations. The Third Edition has an accessible mathematical presentation, and ... Derivatives Markets Relevant Excel functions are also mentioned throughout the book. WHAT IS NEW IN THE THIRD EDITION. The reader familiar with the previous editions will find the ... Derivatives Markets Jul 31, 2021 — The Third Edition has an accessible mathematical presentation, and more importantly, helps students gain intuition by linking theories and ... Derivatives Markets Derivatives Markets, 3rd edition. Published by Pearson (July 31, 2021) © 2012. Robert L. McDonald Northwestern University. Best Value. eTextbook. \$10.99/mo. Derivatives Markets. Robert L. McDonald ... derivatives concepts and instruments and the uses of those instruments in corporations. The Third Edition has an accessible mathematical presentation, and ... Derivatives Markets - Robert L. McDonald The 3rd Edition has an accessible mathematical presentation, and more importantly, helps students gain intuition by linking theories and concepts together with ... Derivatives Markets 3rd edition 9780321543080 Derivatives Markets 3rd Edition is written by Robert L. McDonald and published by Pearson. The Digital and eTextbook

ISBNs for Derivatives Markets are ... Derivatives Markets by Robert L. McDonald (2012 ... Derivatives Markets by Robert L. McDonald (2012 Hardcover) 3rd Edition ; by forcefielddome_0 ; Great quality and affordable. Great quality. Came still sealed in ... Robert McDonald Nov 21, 2020 — Derivatives Markets. Book-related resources. Links to Errata for Derivatives Markets · 1st and 2nd editions · 3rd edition. The Excel spreadsheet ... Derivatives Markets (Pearson+) 3rd edition Derivatives Markets (Pearson+) 3rd Edition is written by Robert McDonald and published by Pearson+. The Digital and eTextbook ISBNs for Derivatives Markets ... Financial Accounting Theory by Scott, William William Scott. Financial Accounting Theory. 7th Edition. ISBN-13: 978-0132984669, ISBN-10: 0132984660. 4.7 4.7 out of 5 stars 47 Reviews. 3.6 on Goodreads. (65). William R. Scott | FINANCIAL ACCOUNTING THEORY Financial accounting theory / William R. Scott. - Seventh edition. Includes bibliographical references and index. ISBN 978-0-13-298466-9 (bound). Financial Accounting Theory (7th... by William Rufus Scott Financial Accounting Theory (7th Edition) by William R. Scott (2015-02-20) ; Payment. Secure transaction ; Print length. 0 pages ; Publisher. Pearson ; Publication ... Financial Accounting Theory - Scott, William Financial Accounting Theory provides a thorough presentation of financial accounting theories. This new edition continues to include considerable coverage ... Results for "Scott Financial-Accounting-Theory-7th-Edition" Search results. Financial Accounting Theory. 8th Edition. William R. Scott, Patricia O'Brien. ISBN-13: 9780134166681. Print for £187.56. Search results. We didn't ... Financial Accounting Theory | Rent | 9780132984669 ISBN-13: 9780132984669 ; Authors: William R Scott, William Scott ; Full Title: Financial Accounting Theory ; Edition: 7th edition ; ISBN-13: 978-0132984669. Financial accounting theory | WorldCat.org Financial accounting theory ; Author: William R. Scott ; Edition: 7. ed View all formats and editions ; Publisher: Pearson, Toronto, 2015. Financial Accounting Theory (7th Edition) (Hardcover) Financial Accounting Theory (7th Edition) (Hardcover); Author: by William R. Scott; Book Condition: Used - Fine; Quantity Available: 1; Edition: 7th; Binding ... Financial Accounting Theory by William R. Scott This newly revised text provides a theoretical approach to financial accounting in Canada, without overlooking institutional structure and standard setting. Financial Accounting Theory (7th Edition) - AbeBooks Synopsis: Financial Accounting Theory provides a thorough presentation of financial accounting theories. This new edition continues to include considerable ... Systems Understanding Aid by Alvin A. Arens... ... - Amazon Systems Understanding Aid by Alvin A. Arens and D. Dewey Ward. (Armond Dalton Publishers INC,2012) [Paperback] 8th Edition [Alvin Ward] on Amazon.com. Systems Understanding Aid by Alvin A. Arens and D.... by AA Systems Understanding Aid by Alvin A. Arens and D. Dewey Ward 8th (eighth) Edition [Paperback(2012)] [AA] on Amazon.com. *FREE* shipping on qualifying ... Systems Understanding Aid A comprehensive manual accounting practice set that includes flowcharts, documents and internal controls. Uses a hands-on approach to help students understand ... Systems Understanding Aid | Rent - Chegg Systems Understanding Aid 8th edition ; Full Title: Systems Understanding Aid ; Edition: 8th edition ; ISBN-13: 978-0912503387 ; Format: Paperback/softback. solutions systems understanding aid 8th edition (PDF) May 16, 2023 — This

is just one of the solutions for you to be successful. As understood, completion does not recommend that you have fabulous points ... Any tips for working through Systems Understanding Aid ... It took me a while to start, but the biggest piece of advice I can give you is learn what the flow charts mean and become familiar with them. Full completion of Systems Understanding Aid 8th edition ... Sep 19, 2016 — After the Systems Understanding Aid (SUA) is completed and graded, the SUA is yours to keep and use for future reference. You should mark up ... Textbook Bundles Systems Understanding Aid 10th Edition (2020) Arens and Ward (More info) ... 8th Edition (2016) Arens, Ward and Latham (More info) ». ISBN# 978-0-912503-60-8. Systems Understanding Aid 8th Edition -Ledgers Sep 15, 2016 — View Homework Help - Systems Understanding Aid 8th Edition -Ledgers from ACC 180 at Asheville-Buncombe Technical Community College.