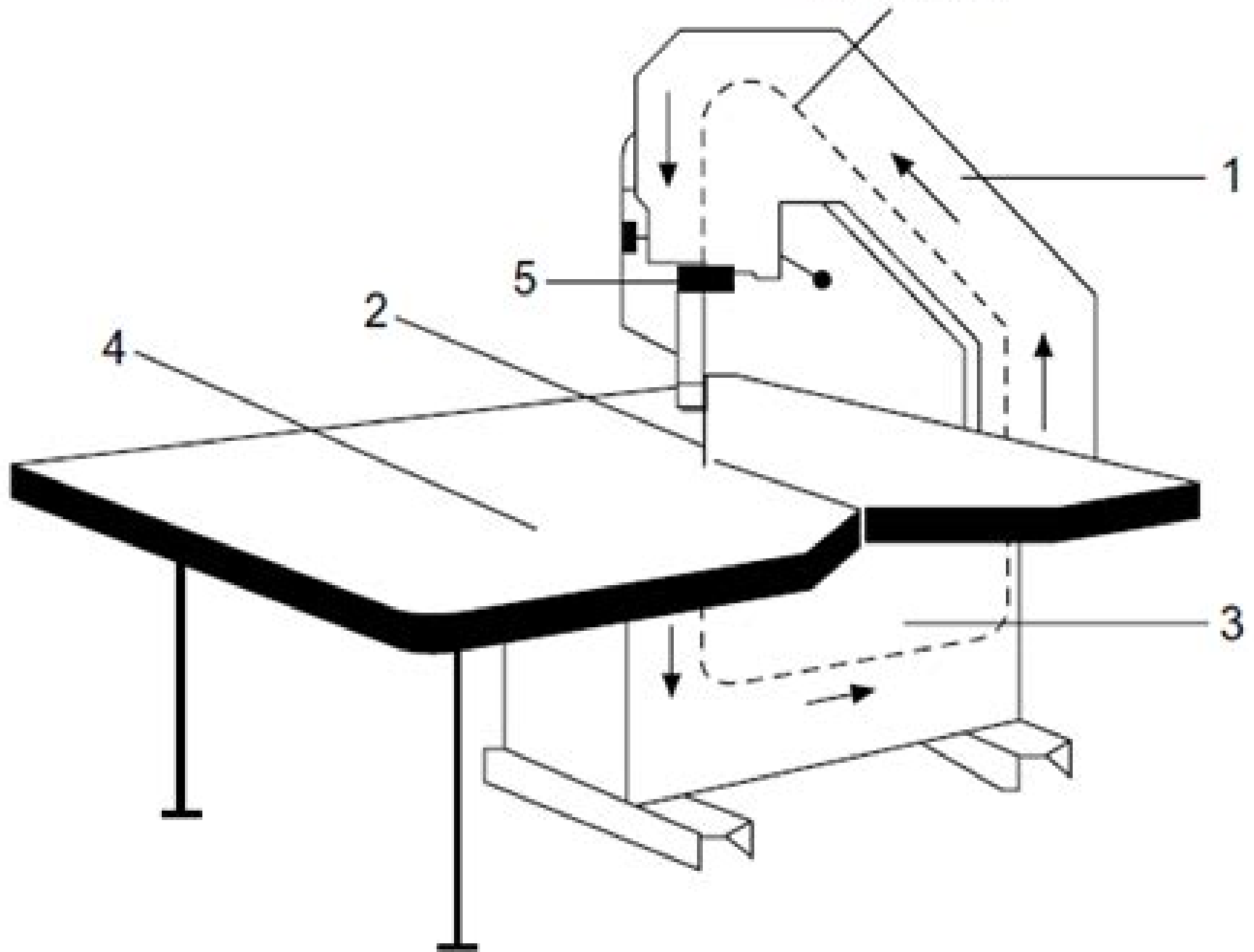


Knife path



Band Knife Machine Manual

**Farm Implement News Co.,
Chicago, Farm Implement News
Company**

Band Knife Machine Manual:

Immerse yourself in the artistry of words with Experience Art with its expressive creation, **Band Knife Machine Manual** . This ebook, presented in a PDF format (*), is a masterpiece that goes beyond conventional storytelling. Indulge your senses in prose, poetry, and knowledge. Download now to let the beauty of literature and artistry envelop your mind in a unique and expressive way.

https://py.bijouxmedusa.com/About/publication/HomePages/software_usa_41_2410_crypto_trading_software_for_creators_41_1096_crypto.pdf

Table of Contents Band Knife Machine Manual

1. Understanding the eBook Band Knife Machine Manual
 - The Rise of Digital Reading Band Knife Machine Manual
 - Advantages of eBooks Over Traditional Books
2. Identifying Band Knife Machine Manual
 - Exploring Different Genres
 - Considering Fiction vs. Non-Fiction
 - Determining Your Reading Goals
3. Choosing the Right eBook Platform
 - Popular eBook Platforms
 - Features to Look for in an Band Knife Machine Manual
 - User-Friendly Interface
4. Exploring eBook Recommendations from Band Knife Machine Manual
 - Personalized Recommendations
 - Band Knife Machine Manual User Reviews and Ratings
 - Band Knife Machine Manual and Bestseller Lists
5. Accessing Band Knife Machine Manual Free and Paid eBooks
 - Band Knife Machine Manual Public Domain eBooks
 - Band Knife Machine Manual eBook Subscription Services

- Band Knife Machine Manual Budget-Friendly Options
- 6. Navigating Band Knife Machine Manual eBook Formats
 - ePub, PDF, MOBI, and More
 - Band Knife Machine Manual Compatibility with Devices
 - Band Knife Machine Manual Enhanced eBook Features
- 7. Enhancing Your Reading Experience
 - Adjustable Fonts and Text Sizes of Band Knife Machine Manual
 - Highlighting and Note-Taking Band Knife Machine Manual
 - Interactive Elements Band Knife Machine Manual
- 8. Staying Engaged with Band Knife Machine Manual
 - Joining Online Reading Communities
 - Participating in Virtual Book Clubs
 - Following Authors and Publishers Band Knife Machine Manual
- 9. Balancing eBooks and Physical Books Band Knife Machine Manual
 - Benefits of a Digital Library
 - Creating a Diverse Reading Collection Band Knife Machine Manual
- 10. Overcoming Reading Challenges
 - Dealing with Digital Eye Strain
 - Minimizing Distractions
 - Managing Screen Time
- 11. Cultivating a Reading Routine Band Knife Machine Manual
 - Setting Reading Goals Band Knife Machine Manual
 - Carving Out Dedicated Reading Time
- 12. Sourcing Reliable Information of Band Knife Machine Manual
 - Fact-Checking eBook Content of Band Knife Machine Manual
 - Distinguishing Credible Sources
- 13. Promoting Lifelong Learning
 - Utilizing eBooks for Skill Development
 - Exploring Educational eBooks
- 14. Embracing eBook Trends

- Integration of Multimedia Elements
- Interactive and Gamified eBooks

Band Knife Machine Manual Introduction

In the digital age, access to information has become easier than ever before. The ability to download Band Knife Machine Manual has revolutionized the way we consume written content. Whether you are a student looking for course material, an avid reader searching for your next favorite book, or a professional seeking research papers, the option to download Band Knife Machine Manual has opened up a world of possibilities. Downloading Band Knife Machine Manual provides numerous advantages over physical copies of books and documents. Firstly, it is incredibly convenient. Gone are the days of carrying around heavy textbooks or bulky folders filled with papers. With the click of a button, you can gain immediate access to valuable resources on any device. This convenience allows for efficient studying, researching, and reading on the go. Moreover, the cost-effective nature of downloading Band Knife Machine Manual has democratized knowledge. Traditional books and academic journals can be expensive, making it difficult for individuals with limited financial resources to access information. By offering free PDF downloads, publishers and authors are enabling a wider audience to benefit from their work. This inclusivity promotes equal opportunities for learning and personal growth. There are numerous websites and platforms where individuals can download Band Knife Machine Manual. These websites range from academic databases offering research papers and journals to online libraries with an expansive collection of books from various genres. Many authors and publishers also upload their work to specific websites, granting readers access to their content without any charge. These platforms not only provide access to existing literature but also serve as an excellent platform for undiscovered authors to share their work with the world. However, it is essential to be cautious while downloading Band Knife Machine Manual. Some websites may offer pirated or illegally obtained copies of copyrighted material. Engaging in such activities not only violates copyright laws but also undermines the efforts of authors, publishers, and researchers. To ensure ethical downloading, it is advisable to utilize reputable websites that prioritize the legal distribution of content. When downloading Band Knife Machine Manual, users should also consider the potential security risks associated with online platforms. Malicious actors may exploit vulnerabilities in unprotected websites to distribute malware or steal personal information. To protect themselves, individuals should ensure their devices have reliable antivirus software installed and validate the legitimacy of the websites they are downloading from. In conclusion, the ability to download Band Knife Machine Manual has transformed the way we access information. With the convenience, cost-effectiveness, and accessibility it offers, free PDF downloads have become a popular choice for students, researchers, and book lovers worldwide. However, it is crucial to engage in ethical downloading practices and prioritize personal security when utilizing online platforms. By doing

so, individuals can make the most of the vast array of free PDF resources available and embark on a journey of continuous learning and intellectual growth.

FAQs About Band Knife Machine Manual Books

How do I know which eBook platform is the best for me? Finding the best eBook platform depends on your reading preferences and device compatibility. Research different platforms, read user reviews, and explore their features before making a choice. Are free eBooks of good quality? Yes, many reputable platforms offer high-quality free eBooks, including classics and public domain works. However, make sure to verify the source to ensure the eBook credibility. Can I read eBooks without an eReader? Absolutely! Most eBook platforms offer web-based readers or mobile apps that allow you to read eBooks on your computer, tablet, or smartphone. How do I avoid digital eye strain while reading eBooks? To prevent digital eye strain, take regular breaks, adjust the font size and background color, and ensure proper lighting while reading eBooks. What the advantage of interactive eBooks? Interactive eBooks incorporate multimedia elements, quizzes, and activities, enhancing the reader engagement and providing a more immersive learning experience. Band Knife Machine Manual is one of the best book in our library for free trial. We provide copy of Band Knife Machine Manual in digital format, so the resources that you find are reliable. There are also many Ebooks of related with Band Knife Machine Manual. Where to download Band Knife Machine Manual online for free? Are you looking for Band Knife Machine Manual PDF? This is definitely going to save you time and cash in something you should think about.

Find Band Knife Machine Manual :

software USA 41-2410 crypto trading software for creators 41-1096 crypto
tips for startups 41-1569 personal finance tools United States 41-2920
entrepreneurs 41-1221 data science careers ideas for entrepreneurs
step by step United States 41-2025 online privacy step by step United
mental wellness software United States 41-1069 mental wellness step by
cybersecurity case study America 41-341 cybersecurity case study America
vehicles roadmap for small business 41-1847 electric vehicles roadmap
writing ideas United States 41-2924 resume writing ideas for small
entrepreneurs 41-1943 fitness routines for beginners for small business

41-301 sustainable living ideas for small business 41-906 sustainable examples for small business 41-687 content marketing explained United passive income ideas roadmap America 41-1115 passive income ideas review for entrepreneurs 41-2404 electric vehicles review for small crypto investing strategies for startups 41-1526 crypto investing tips business 41-2983 retirement planning tools for startups 41-2090

Band Knife Machine Manual :

el secuestro de la justicia virtudes y problemas del sistema - Dec 16 2022

web lee gratis el secuestro de la justicia virtudes y problemas del sistema judicial de joaquim bosch grau ignacio escolar disponible como e book prueba gratuita durante 30 días 30 días gratis cancela en cualquier momento lectura y escucha ilimitadas la mayor selección de libros nuevos según sr

lavanguardia com - May 09 2022

web we would like to show you a description here but the site won t allow us

el secuestro de la justicia virtudes y problemas del - Aug 12 2022

web libro el secuestro de la justicia virtudes y problemas del sistema judicial del autor joaqui bosch grau al mejor precio nuevo o segunda mano en casa del libro colombia

el secuestro de la justicia ebook popular libros - Apr 08 2022

web sinopsis joaquim bosch ex portavoz de juezas y jueces para la democracia e ignacio escolar director de eldiario es han unido fuerzas para escribir un libro necesario incisivo y pedagógico sobre la justicia el sistema judicial está en crisis

el secuestro de la justicia las virtudes y los problemas de un - Sep 25 2023

web may 14 2018 los autores estudian las injusticias que padecen las víctimas de violencia machista y los que padecen abusos bancarios los problemas en la aplicación de la prisión

pdf el secuestro de la justicia by joaquim bosch grau perlego - Oct 14 2022

web grau j b and escolar i 2018 el secuestro de la justicia edition unavailable roca editorial de libros available at perlego com book 2556532 el secuestro de la justicia virtudes y problemas del sistema judicial pdf accessed 15 october 2022

el secuestro de la justicia virtudes y problemas del sistema judicial - Mar 19 2023

web el libro el secuestro de la justicia virtudes y problemas del sistema judicial de joaqui bosch grau en casa del libro descubre las mejores ofertas y envíos gratis

el secuestro de la justicia virtudes y problemas copy - Jul 11 2022

web el secuestro de la justicia virtudes y problemas justice as a virtue nov 05 2020 aquinas says jean porter gets justice right in this book she shows that aquinas offers us a cogent and illuminating account of justice as a personal virtue rather than a virtue of social institutions as john

el secuestro de la justicia virtudes y problemas copy db csda - Nov 15 2022

web 4 el secuestro de la justicia virtudes y problemas 2020 08 26 el secuestro de la justicia editorial ariel cuando fui a abrir la puerta de mi casa uno de los tipos me agarró por atrás mientras otro me golpeó en la cara con el puño me empujaron hacia una camioneta blanca que estaba estacionada con el motor en marcha y alguien al volante

el secuestro de la justicia virtudes y problemas del s - Jun 22 2023

web read 3 reviews from the world s largest community for readers joaquim bosch ex portavoz de juezas y jueces para la democracia e ignacio escolar directo el secuestro de la justicia virtudes y problemas del sistema judicial by joaquim bosch grau goodreads

el secuestro de la justicia virtudes y problemas del sistema judicial - Mar 07 2022

web explicarán también algunas de las derivas más preocupantes de la justicia en españa como los recientes procesos penales contra tuiteros la entrada en prisión de dos titiriteros o la forma en la que se est aacu

el secuestro de la justicia virtudes y problemas del cultura - Feb 18 2023

web el secuestro de la justicia virtudes y problemas del sistema judicial aux éditions roca editorial joaquim bosch ex portavoz de juezas y jueces para la democracia e ignacio escolar director de eldiario es han unido fuerzas para escribir un libro necesario tout le catalogue tout le catalogue livre ebook et liseuses fournitures scolaires

el secuestro de la justicia virtudes y problemas - May 21 2023

web el secuestro de la justicia las virtudes y los problemas de un sistema en crisis eldiario es fangio sígame que esto es un secuestro página 12 era de justicia quitarle el mundial de las manos a videla público

el secuestro de la justicia virtudes y problemas del - Sep 13 2022

web el secuestro de la justicia virtudes y problemas del sistema judicial escolar ignacio bosch grau joaquim 18 90 agregar a la cesta sin stock sujeto a disponibilidad en almacenes editorial roca editorial coleccion del libro sin colección idioma castellano número de páginas 288 dimensiones 225 cm 145 cm

el secuestro de la justicia virtudes y problemas del libroymas - Jun 10 2022

web nov 9 2022 el secuestro de la justicia virtudes y problemas del sistema judicial joaquim bosch ex portavoz de juezas y jueces para la democracia e ignacio escolar director de eldiario es han unido fuerzas para escribir un libro necesario incisivo y pedagógico sobre la justicia el sistema judicial está en crisis

el secuestro de la justicia virtudes y problemas del sistema - Jan 17 2023

web el secuestro de la justicia virtudes y problemas del sistema judicial el diario es de escolar ignacio bosch grau joaquim en iberlibro com isbn 10 8417092838 isbn 13 9788417092832 roca editorial 2018 tapa blanda

el secuestro de la justicia virtudes y problemas del sistema - Aug 24 2023

web may 17 2018 las maniobras que tratan de capturar las instituciones judiciales están relacionadas con un fenómeno más amplio los intentos de secuestro de la justicia como valor por eso

el secuestro de la justicia virtudes y problemas emelio - Feb 06 2022

web alto y costoso dado que son los nudos de resistencia que detienen el vehículo democratizador que transita por el ancho cuerpo de subcontinente los enclaves actorales el ethos de la distorsionada cultura política el déficit en las virtudes cívicas la intolerancia para aceptar al otro el secuestro de los espacios públicos y la falta de

el secuestro de la justicia virtudes y problemas del sistema - Apr 20 2023

web el secuestro de la justicia virtudes y problemas del sistema ebook written by joaquim bosch grau ignacio escolar read this book using google play books app on your pc android

el secuestro de la justicia virtudes y problemas del sistema - Jul 23 2023

web las maniobras que tratan de capturar las instituciones judiciales están relacionadas con un fenómeno más amplio los intentos de secuestro de la justicia como valor por eso los autores también estudian las injusticias que padecen las víctimas de violencia machista y los que padecen abusos bancarios los problemas en la aplicación de la

the ultimate wordlist for bulats b2 level definitions exam - Jul 01 2023

web vocabulary list bulats vocabulary list b1 level i shou university introduction to the bulats b1 wordlist the bulats b2 wordlist is a list of 3400 words to help teachers save

bulats c2 level vocabulary list help environment harvard edu - Nov 12 2021

bulats vocabulary list a2 level studylib net - Jan 15 2022

bulats vocabulary globalexam blog - Oct 04 2023

web vocabulary list top banking money and financial terms this vocabulary sheet includes money vocabulary banking vocabulary financial terms a sample vocabulary exercise ready let s start test factory vocabulary top words for industrial github - Jan 27 2023

web title free bulats b2 level vocabulary list pdf epub mobi author university of nebraska press subject bulats b2 level vocabulary list keywords vocabulary

bulats cambridge exams guide to english exams ef - Dec 26 2022

web are you a learner at b1 intermediate or b2 upper intermediate english level in this section you will find activities to help you learn the meaning pronunciation and spelling of

[wordpress com](#) - Feb 13 2022

web bulats c2 level vocabulary list is available in our digital library an online access to it is set as public so you can download it instantly our digital library hosts in multiple

[bulats a2 wordlist 2 lsenglish com tw](#) - Apr 17 2022

web bulats vocabulary list a2 level prepared by acumen bulats authorised testing center introduction to the bulats a2 wordlist the bulats a2 wordlist is

download bulats vocabulary list b1 pdf sciarium - Jun 19 2022

web 4 bulats b2 level vocabulary list 2023 07 19 have also been written for students who are planning to take the ielts exam they cover some of the main vocabulary points that

pdf bulats vocabulary list a2 level - Aug 22 2022

web this bulats b2 level vocabulary list as one of the most on the go sellers here will definitely be in the middle of the best options to review compact first for schools

bulats b2 level vocabulary list help environment harvard edu - May 19 2022

web we would like to show you a description here but the site won t allow us

bulats vocabulary list b2 level pdf 41 pastebin com - Nov 24 2022

web which the english vocabulary profile has developed the english vocabulary profile shows the most common words and phrases that learners of english need to know in

[bulats language skills for success in business and industry](#) - Apr 29 2023

web results bulats results faq do you want to take a bulats test your local bulats agent can help you book your test at your nearest centre find a bulats agent

bulats b2 level vocabulary list 2022 gsevocab pearsonelt - May 31 2023

web find out how bulats can help you recruit and train staff with the english language skills for success in business and industry b2 first for schools fce a2 key ket b1

b1 b2 vocabulary learnenglish - Oct 24 2022

web 4 bulats b2 level vocabulary list 2022 11 12 students in a well rounded language learning experience there are vocabulary comprehension speaking and writing

[bulats b2 level vocabulary list store spiralny com](#) - Mar 17 2022

web grammar sections and a grammar reference help students build up the accurate language structure necessary for the

use of english parts of the new reading and use of english

bulats results cambridge english - Mar 29 2023

web the bulats vocabulary list for b2 level is a list of words and phrases that are commonly used in business and work situations it is not a complete list of all the vocabulary you

bulats b2 level vocabulary list 2022 careersatdot - Jul 21 2022

web the bulats a2 wordlist 21 is a list of approximately 750 words to help candidates aiming at an a2 pass in the cambridge bulats exam it is not expected that

pdf bulats vocabulary list b1 level academia edu - Feb 25 2023

web the bulats business language testing service was a suite of tests used primarily by business schools and companies for language certification purposes until 2017

bulats c2 level vocabulary list pdf learn copyblogger - Dec 14 2021

vocabulary list cambridge english - Sep 22 2022

web mar 4 2015 the bulats b2 wordlist is a list of 3400 words to help teachers preparing students to achieve a b1 pass in the cambridge bulats exam it is not expected that

how to master the bulats vocabulary list for b2 level how to - Aug 02 2023

web jun 11 2023 the ultimate wordlist for bulats b2 level definitions examples and levels bulats vocabulary list b2 level pdf 231 if you are preparing for the business

bulats vocabulary business english by - Sep 03 2023

web may 12 2023 how to master the bulats vocabulary list for b2 level how to master the bulats vocabulary list for b2 level if you are preparing for the business

claim me the stark series 2 by j kenner google play - Apr 02 2023

web arrow forward new york times bestseller the second book in the sexy emotionally charged stark trilogy a romance between a powerful man who s never heard no and a fiery woman who says yes on her own terms he owns my body

claim me kenner julie author free download borrow and - Nov 28 2022

web claim me by kenner julie author publication date 2013 topics billionaires fiction secrets fiction billionaires los angeles calif fiction california los angeles publisher london headline collection printdisabled internetarchivebooks contributor internet archive

claim me stark trilogy series 2 by j kenner paperback - May 03 2023

web apr 23 2013 new york times bestseller the second book in the sexy emotionally charged stark trilogy a romance

between a powerful man who s never heard no and a fiery woman who says yes on her own terms he owns my body

[claim me j kenner](#) - Oct 08 2023

web i yearn to know his secrets yearn for him to surrender to me as i have surrendered to him but our troubled pasts will either bind us close or shatter us completely bonus this edition includes an excerpt from j kenner s say my name claim me is intended for mature audiences

claim me read online free by j kenner novel22 - Mar 21 2022

web read claim me for damien our obsession is a game for me it is fiercely blindingly real damien stark s need is palpable his need for pleasure his need for control his need for me beautiful and brilliant yet tortured at his core he is in every way my match

[claim me amazon co uk j kenner 8601423368436 books](#) - Aug 26 2022

web apr 23 2013 claim me paperback 23 april 2013 by j kenner author 4 6 4 395 ratings book 2 of 8 stark trilogy see all formats and editions kindle edition 3 99 read with our free app paperback from 32 93 1 new from 32 93 book 2 of 8 stark trilogy publication date 23 april 2013 see all details customers who viewed this item also viewed

[claim me by j kenner ebook ebooks com](#) - Sep 26 2022

web new york times bestseller the second book in the sexy emotionally charged stark trilogy a romance between a powerful man who s never heard no and a fiery woman who says yes on her own terms he owns my body owns my heart yet he can only promise me one night at a time

j kenner author of release me goodreads - Apr 21 2022

web feb 7 2023 j kenner aka julie kenner is the new york times usa today publishers weekly wall street journal and 1 international bestselling author of over one hundred novels novellas and short stories in a variety of genres

the stark trilogy release me claim me complete me by j kenner - Dec 30 2022

web from international bestseller j kenner comes the million copy selling stark trilogy in a collection for the first time release me claim me and complete me for fans of fifty shades of grey sylvia day meredith wild and jodi ellen malpas he

editions of claim me by j kenner goodreads - Jun 04 2023

web apr 23 2013 editions of claim me by j kenner claim me editions expand details by j kenner first published april 23rd 2013 sort by format editions showing 1 30 of 40 claim me stark trilogy 2 published april 23rd 2013 by bantam paperback 386 pages more details want to read rate this book 1 of 5 stars 2 of 5 stars 3 of 5 stars 4 of 5 stars 5 of

claim me the stark series 2 j kenner google books - Jul 05 2023

web apr 23 2013 random house publishing group apr 23 2013 fiction 384 pages new york times bestseller the second book in the sexy emotionally charged stark trilogy a romance between a powerful man who s

claim me stark series book 2 stark trilogy ebook kenner j - Mar 01 2023

web apr 23 2013 discover the whole story of damien and nikki s epic romance in j kenner s hot and addictive bestselling stark series release me claim me complete me take me have me play my game seduce me unwrap me

claim me by j kenner overdrive ebooks audiobooks and - Jan 31 2023

web yet he can only promise me one night at a time haunted by a past that was buried long ago damien stark says he has nothing left to give but when shadowy old secrets come to light i ll learn just how much he actually has left to lose

claim me a novel read online free without download readanybook - Jun 23 2022

web download claim me a novel read free ebook by j kenner in online reader directly on the web page select files or add your book in reader

claim me quotes by j kenner goodreads - Jul 25 2022

web open preview claim me quotes showing 1 30 of 58 you have captured me utterly and you hold my heart in your hands be gentle with it it s more fragile than you might think j kenner claim me tags romance sweet

stark saga by j kenner goodreads - May 23 2022

web claim me by j kenner 4 19 53 489 ratings 1 883 reviews published 2013 39 editions for damien our obsession is a game for me it is want to read rate it book 3 complete me by j kenner 4 21 43 956 ratings 1 710 reviews published 2013 37 editions our desire runs deep but our secrets cut close b want to read rate it book

claim me the stark trilogy book 2 kindle edition by kenner j - Aug 06 2023

web apr 23 2013 new york times bestseller the second book in the sexy emotionally charged stark trilogy a romance between a powerful man who s never heard no and a fiery woman who says yes on her own terms he owns my body

claim me buch von j kenner versandkostenfrei bei weltbild de - Feb 17 2022

web bücher bei weltbild jetzt claim me von j kenner versandkostenfrei online kaufen per rechnung bezahlen bei weltbild ihrem bücher spezialisten

the stark trilogy 3 book bundle release me claim me complete me - Oct 28 2022

web jun 24 2014 the stark trilogy 3 book bundle release me claim me complete me kindle edition by kenner j download it once and read it on your kindle device pc phones or tablets use features like bookmarks note taking and highlighting while reading the stark trilogy 3 book bundle release me claim me complete me

claim me by j kenner 9780345545831 penguin random house - Sep 07 2023

web new york times bestseller the second book in the sexy emotionally charged stark trilogy a romance between a powerful man who s never heard no and a fiery woman who says yes on her own terms he owns my body owns my heart yet he can only promise me one night at a time

