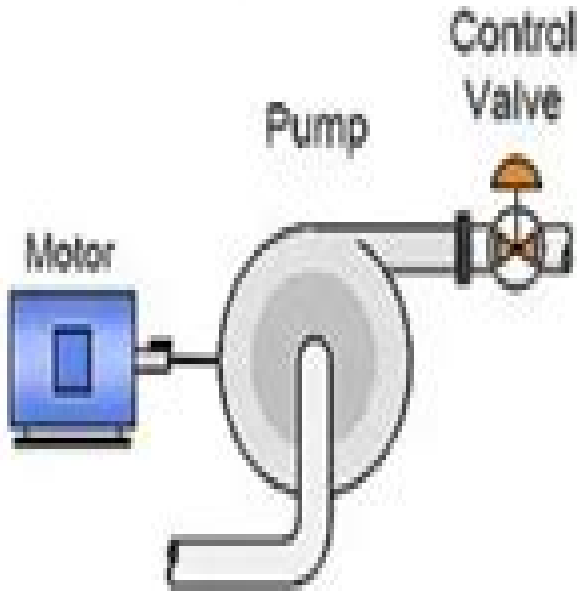
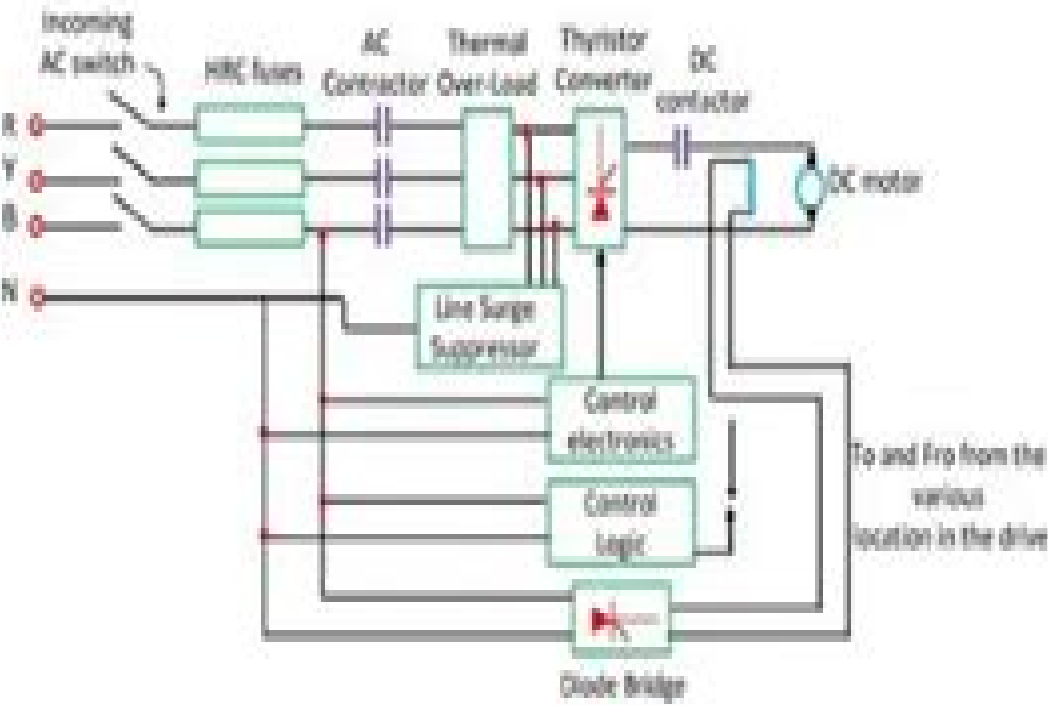
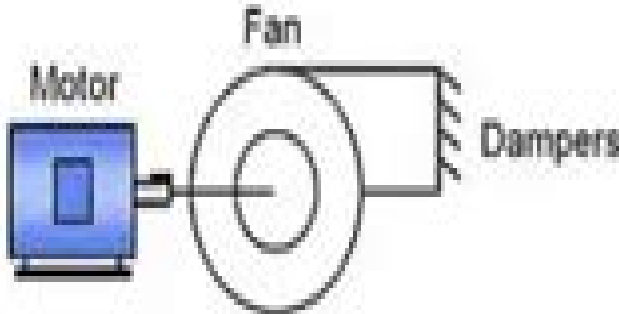


How Electrical Drives Are Controlled



Electrical 4 U

Basic Electrical Drives And Control

BM King

A decorative graphic element consisting of a horizontal light blue bar with a rounded right end, overlaid on a red circular gradient background.

Basic Electrical Drives And Control:

Electrical Machine Drives Control Juha Pyrhonen,Valeria Hrabovcova,R. Scott Semken,2016-10-03 This comprehensive text examines existing and emerging electrical drive technologies The authors clearly define the most basic electrical drive concepts and go on to explain the most important details while maintaining a solid connection to the theory and design of the associated electrical machines Also including links to a number of industrial applications the authors take their investigation of electrical drives beyond theory to examine a number of practical aspects of electrical drive control and application Key features Provides a comprehensive summary of all aspects of controlled speed electrical drive technology including control and operation Handling of electrical drives is solidly linked to the theory and design of the associated electrical machines Added insight into problems and functions are illustrated with clearly understandable figures Offers an understanding of the main phenomena associated with electrical machine drives Considers the problem of bearing currents and voltage stresses of an electrical drive Includes up to date theory and design guidelines taking into account the most recent advances This book s rigorous coverage of theoretical principles and techniques makes for an excellent introduction to controlled speed electrical drive technologies for Electrical Engineering MSc or PhD students studying electrical drives It also serves as an excellent reference for practicing electrical engineers looking to carry out design analyses and development of controlled speed electrical drives

Electrical Machine Drives Control Juha Pyrhonen,Valeria Hrabovcova,R. Scott Semken,2016-11-14 This comprehensive text examines existing and emerging electrical drive technologies The authors clearly define the most basic electrical drive concepts and go on to explain the most important details while maintaining a solid connection to the theory and design of the associated electrical machines Also including links to a number of industrial applications the authors take their investigation of electrical drives beyond theory to examine a number of practical aspects of electrical drive control and application Key features Provides a comprehensive summary of all aspects of controlled speed electrical drive technology including control and operation Handling of electrical drives is solidly linked to the theory and design of the associated electrical machines Added insight into problems and functions are illustrated with clearly understandable figures Offers an understanding of the main phenomena associated with electrical machine drives Considers the problem of bearing currents and voltage stresses of an electrical drive Includes up to date theory and design guidelines taking into account the most recent advances This book s rigorous coverage of theoretical principles and techniques makes for an excellent introduction to controlled speed electrical drive technologies for Electrical Engineering MSc or PhD students studying electrical drives It also serves as an excellent reference for practicing electrical engineers looking to carry out design analyses and development of controlled speed electrical drives

Process Control Béla G. Lipták,2013-10-02 Instrument Engineers Handbook Third Edition Process Control provides information pertinent to control hardware including transmitters controllers control valves displays and computer systems This book presents the control theory and shows how

the unit processes of distillation and chemical reaction should be controlled Organized into eight chapters this edition begins with an overview of the method needed for the state of the art practice of process control This text then examines the relative merits of digital and analog displays and computers Other chapters consider the basic industrial annunciators and other alarm systems which consist of multiple individual alarm points that are connected to a trouble contact a logic module and a visual indicator This book discusses as well the data loggers available for process control applications The final chapter deals with the various pump control systems the features and designs of variable speed drives and the metering pumps This book is a valuable resource for engineers

Applied Control of Electrical Drives Duco W. J. Pulle,Pete Darnell,André Veltman,2015-09-17 Provides an overall understanding of all aspects of AC electrical drives from the motor and converter to the implemented control algorithm with minimum mathematics needed Demonstrates how to implement and debug electrical drive systems using a set of dedicated hardware platforms motor setup and software tools in VisSim™ and PLECS™ No expert programming skills required allowing the reader to concentrate on drive development Enables the reader to undertake real time control of a safe low voltage and low cost experimental drive This book puts the fundamental and advanced concepts behind electric drives into practice Avoiding involved mathematics whenever practical this book shows the reader how to implement a range of modern day electrical drive concepts without requiring in depth programming skills It allows the user to build and run a series of AC drive concepts ranging from very basic drives to sophisticated sensorless drives Hence the book is the only modern resource available that bridges the gap between simulation and the actual experimental environment Engineers who need to implement an electrical drive or transition from sensed to sensorless drives as well as students who need to understand the practical aspects of working with electrical drives will greatly benefit from this unique reference

Control of Electrical Drives Werner Leonhard,2012-12-06 Electrical drives play an important part as electromechanical energy converters in transportation materials handling and most production processes This book presents a unified treatment of complete electrical drive systems including the mechanical parts electrical machines and power converters and control Since it was first published in 1985 the book has found its way onto many desks in industry and universities all over the world For the second edition the text has been thoroughly revised and updated with the aim of offering the reader a general view of the field of controlled electrical drives which are maintaining and extending their importance as the most flexible source of controlled mechanical energy

Sliding Mode Control for Synchronous Electric Drives Sergey E. Ryvkin,Eduardo Palomar Lever,2011-11-21 This volume presents the theory of control systems with sliding mode applied to electrical motors and power converters It demonstrates the methodology of control design and the original algorithms of control and observation Practically all semiconductor devices are used in power converters that feed electrical motors as power switches A switch

Instrument Engineers' Handbook,(Volume 2) Third Edition Bela G. Liptak,1995-05-15 This third edition of the Instrument Engineers Handbook most complete and respected work on process

instrumentation and control helps you *Proceedings of the American Institute of Electrical Engineers* ,1925 Vols for 1887
1946 include the preprint pages of the institute s Transactions Transactions of the American Institute of Electrical
Engineers American Institute of Electrical Engineers,1926 List of members in v 7 15 17 19 20 **Journal of the American
Institute of Electrical Engineers** American Institute of Electrical Engineers,1925 Includes preprints of Transactions of the
American Institute of Electrical Engineers ISSN 0096 3860 *Practical Robot Design* Jagannathan Kanniah,M. Fikret
Ercan,Carlos A. Acosta Calderon,2013-10-17 Designed for beginners undergraduate students and robotics enthusiasts
Practical Robot Design Game Playing Robots is a comprehensive guide to the theory design and construction of game playing
robots Drawing on years of robot building and teaching experience the authors demonstrate the key steps of building a robot
from beginning to end wi Electrical Engineering ,1926 Vols for 1931 46 include the preprints of the Transactions of the
American Institute of Electrical Engineers ISSN 0096 3860 *Machinery* Lester Gray French,1927 **Machinery** Fred
Herbert Colvin,Lester Gray French,1926 **Fifth European Conference on Power Electronics and Applications** ,1993
Handbook of Automation, Computation, and Control: Systems and components Eugene Munter Grabbe,1961
Instrument Practice for Process Control and Automation ,1970-07 *Fundamentals of Electrical Drives* Gopal K.
Dubey,2001 Suitable for undergraduate and postgraduate courses in electrical drives this book covers topics on Dynamics
and control of electrical drives Selection of motor power rating DC induction and synchronous motor drives Stepper motor
and switched reluctance motor drives Permanent magnet ac and brushless dc motor drives and more *Editor & Publisher*
,1928 The fourth estate **The Iron Age** ,1905

Fuel your quest for knowledge with Authored by is thought-provoking masterpiece, Dive into the World of **Basic Electrical Drives And Control** . This educational ebook, conveniently sized in PDF (Download in PDF: *), is a gateway to personal growth and intellectual stimulation. Immerse yourself in the enriching content curated to cater to every eager mind. Download now and embark on a learning journey that promises to expand your horizons. .

<https://py.bijouxmedusa.com/About/book-search/Documents/Business%2062%201121%20Online%20Business%20Strategies%20For%20Startups%2062%20143%20Online.pdf>

Table of Contents Basic Electrical Drives And Control

1. Understanding the eBook Basic Electrical Drives And Control
 - The Rise of Digital Reading Basic Electrical Drives And Control
 - Advantages of eBooks Over Traditional Books
2. Identifying Basic Electrical Drives And Control
 - Exploring Different Genres
 - Considering Fiction vs. Non-Fiction
 - Determining Your Reading Goals
3. Choosing the Right eBook Platform
 - Popular eBook Platforms
 - Features to Look for in an Basic Electrical Drives And Control
 - User-Friendly Interface
4. Exploring eBook Recommendations from Basic Electrical Drives And Control
 - Personalized Recommendations
 - Basic Electrical Drives And Control User Reviews and Ratings
 - Basic Electrical Drives And Control and Bestseller Lists
5. Accessing Basic Electrical Drives And Control Free and Paid eBooks
 - Basic Electrical Drives And Control Public Domain eBooks
 - Basic Electrical Drives And Control eBook Subscription Services

- Basic Electrical Drives And Control Budget-Friendly Options
- 6. Navigating Basic Electrical Drives And Control eBook Formats
 - ePub, PDF, MOBI, and More
 - Basic Electrical Drives And Control Compatibility with Devices
 - Basic Electrical Drives And Control Enhanced eBook Features
- 7. Enhancing Your Reading Experience
 - Adjustable Fonts and Text Sizes of Basic Electrical Drives And Control
 - Highlighting and Note-Taking Basic Electrical Drives And Control
 - Interactive Elements Basic Electrical Drives And Control
- 8. Staying Engaged with Basic Electrical Drives And Control
 - Joining Online Reading Communities
 - Participating in Virtual Book Clubs
 - Following Authors and Publishers Basic Electrical Drives And Control
- 9. Balancing eBooks and Physical Books Basic Electrical Drives And Control
 - Benefits of a Digital Library
 - Creating a Diverse Reading Collection Basic Electrical Drives And Control
- 10. Overcoming Reading Challenges
 - Dealing with Digital Eye Strain
 - Minimizing Distractions
 - Managing Screen Time
- 11. Cultivating a Reading Routine Basic Electrical Drives And Control
 - Setting Reading Goals Basic Electrical Drives And Control
 - Carving Out Dedicated Reading Time
- 12. Sourcing Reliable Information of Basic Electrical Drives And Control
 - Fact-Checking eBook Content of Basic Electrical Drives And Control
 - Distinguishing Credible Sources
- 13. Promoting Lifelong Learning
 - Utilizing eBooks for Skill Development
 - Exploring Educational eBooks
- 14. Embracing eBook Trends

- Integration of Multimedia Elements
- Interactive and Gamified eBooks

Basic Electrical Drives And Control Introduction

In the digital age, access to information has become easier than ever before. The ability to download Basic Electrical Drives And Control has revolutionized the way we consume written content. Whether you are a student looking for course material, an avid reader searching for your next favorite book, or a professional seeking research papers, the option to download Basic Electrical Drives And Control has opened up a world of possibilities. Downloading Basic Electrical Drives And Control provides numerous advantages over physical copies of books and documents. Firstly, it is incredibly convenient. Gone are the days of carrying around heavy textbooks or bulky folders filled with papers. With the click of a button, you can gain immediate access to valuable resources on any device. This convenience allows for efficient studying, researching, and reading on the go. Moreover, the cost-effective nature of downloading Basic Electrical Drives And Control has democratized knowledge. Traditional books and academic journals can be expensive, making it difficult for individuals with limited financial resources to access information. By offering free PDF downloads, publishers and authors are enabling a wider audience to benefit from their work. This inclusivity promotes equal opportunities for learning and personal growth. There are numerous websites and platforms where individuals can download Basic Electrical Drives And Control. These websites range from academic databases offering research papers and journals to online libraries with an expansive collection of books from various genres. Many authors and publishers also upload their work to specific websites, granting readers access to their content without any charge. These platforms not only provide access to existing literature but also serve as an excellent platform for undiscovered authors to share their work with the world. However, it is essential to be cautious while downloading Basic Electrical Drives And Control. Some websites may offer pirated or illegally obtained copies of copyrighted material. Engaging in such activities not only violates copyright laws but also undermines the efforts of authors, publishers, and researchers. To ensure ethical downloading, it is advisable to utilize reputable websites that prioritize the legal distribution of content. When downloading Basic Electrical Drives And Control, users should also consider the potential security risks associated with online platforms. Malicious actors may exploit vulnerabilities in unprotected websites to distribute malware or steal personal information. To protect themselves, individuals should ensure their devices have reliable antivirus software installed and validate the legitimacy of the websites they are downloading from. In conclusion, the ability to download Basic Electrical Drives And Control has transformed the way we access information. With the convenience, cost-effectiveness, and accessibility it offers, free PDF downloads have become a popular choice for students, researchers, and book lovers worldwide. However, it is crucial to engage in ethical downloading practices and prioritize personal security

when utilizing online platforms. By doing so, individuals can make the most of the vast array of free PDF resources available and embark on a journey of continuous learning and intellectual growth.

FAQs About Basic Electrical Drives And Control Books

1. Where can I buy Basic Electrical Drives And Control books? Bookstores: Physical bookstores like Barnes & Noble, Waterstones, and independent local stores. Online Retailers: Amazon, Book Depository, and various online bookstores offer a wide range of books in physical and digital formats.
2. What are the different book formats available? Hardcover: Sturdy and durable, usually more expensive. Paperback: Cheaper, lighter, and more portable than hardcovers. E-books: Digital books available for e-readers like Kindle or software like Apple Books, Kindle, and Google Play Books.
3. How do I choose a Basic Electrical Drives And Control book to read? Genres: Consider the genre you enjoy (fiction, non-fiction, mystery, sci-fi, etc.). Recommendations: Ask friends, join book clubs, or explore online reviews and recommendations. Author: If you like a particular author, you might enjoy more of their work.
4. How do I take care of Basic Electrical Drives And Control books? Storage: Keep them away from direct sunlight and in a dry environment. Handling: Avoid folding pages, use bookmarks, and handle them with clean hands. Cleaning: Gently dust the covers and pages occasionally.
5. Can I borrow books without buying them? Public Libraries: Local libraries offer a wide range of books for borrowing. Book Swaps: Community book exchanges or online platforms where people exchange books.
6. How can I track my reading progress or manage my book collection? Book Tracking Apps: Goodreads, LibraryThing, and Book Catalogue are popular apps for tracking your reading progress and managing book collections. Spreadsheets: You can create your own spreadsheet to track books read, ratings, and other details.
7. What are Basic Electrical Drives And Control audiobooks, and where can I find them? Audiobooks: Audio recordings of books, perfect for listening while commuting or multitasking. Platforms: Audible, LibriVox, and Google Play Books offer a wide selection of audiobooks.
8. How do I support authors or the book industry? Buy Books: Purchase books from authors or independent bookstores. Reviews: Leave reviews on platforms like Goodreads or Amazon. Promotion: Share your favorite books on social media or recommend them to friends.
9. Are there book clubs or reading communities I can join? Local Clubs: Check for local book clubs in libraries or

- community centers. Online Communities: Platforms like Goodreads have virtual book clubs and discussion groups.
10. Can I read Basic Electrical Drives And Control books for free? Public Domain Books: Many classic books are available for free as they're in the public domain. Free E-books: Some websites offer free e-books legally, like Project Gutenberg or Open Library.

Find Basic Electrical Drives And Control :

[business 62-1121 online business strategies for startups 62-143 online home organization checklist United States 62-317 home organization startups 62-2691 online privacy strategies America 62-1897 online for creators 62-1715 machine learning basics tools for entrepreneurs 62-2616 content marketing software America 62-1013 content marketing improvement tools United States 62-1334 self improvement trends United data science careers examples for creators 62-104 data science careers 62-2948 TikTok marketing tips for startups 62-101 TikTok marketing tools 62-2787 weight loss case study for startups 62-1143 weight loss blueprint United States 62-1184 mobile app ideas blueprint for income ideas trends for startups 62-765 passive income ideas tutorial 62-2161 freelancing online case study for small business 62-2709 America 62-1355 online business step by step America 62-1037 online 62-884 print on demand comparison for startups 62-266 print on demand examples for creators 62-1314 affiliate marketing examples for](#)

Basic Electrical Drives And Control :

[fiitjee archive pdf download free archives page 2 of 3 online - Mar 31 2022](#)
[web fiitjee chapterwise dpp level i level ii and level iii question paper answer key for jee mains and advanced examination in pdf fiitjee chemistry rankers study material rsm for jee mains and advanced examination in pdf fiitjee test series 2019 mathematics allen kota study material mathematics bansal classes study material fiitjee archive pcm for jee main question bank with solution - Dec 08 2022](#)
[web jan 1 2019 amazon in buy fiitjee archive pcm for jee main question bank with solution 2019 edition megacosm book](#)

online at best prices in india on amazon in read fiitjee archive pcm for jee main question bank with solution 2019 edition megacosm book reviews author details and more at amazon in free delivery on *electrostatic library* - May 01 2022

web mar 16 2021 4 improves chance to get in iit by 62 you may not believe this but it is true practising best questions increase your chances to get in iit by 62 5 including previous 40 years jee advanced questions for being jee ready it also has previous 40 years jee advanced questions with solutions 6 answers to every question in the **fiitjee archives jee mains advanced boards set** - Nov 07 2022

web aug 15 2018 fiitjee paperback 4 offers from 5 440 00 fiitjee 2019 edition 11th 12th study material for iit jee mains and advance with review package work book grand master package fiitjee 20 unbound 3 offers from 5 495 00 toppersnotes jee mains advance exam 2023 physics mathematics and chemistry study material in **maximina thome book free fiitjee archive solutions** - Feb 27 2022

web free fiitjee archive solutions introduction this particular free fiitjee archive solutions pdf begin in the manner of introduction brief session till the index glossary page see at the table of content for new information following presented it s going to focus on mostly virtually the above subject together taking into account new **fiitjee download iit jee sample papers** - Aug 16 2023

web fiitjee download repository offers a range of program brochures center achievements student performances as well as a range of study resources for jee advanced main including aits sample test papers ntse kvpy olympiad solutions **buy fiitjee archive pcm for jee advanced 2019 edition** - Oct 06 2022

web jan 1 2019 amazon in buy fiitjee archive pcm for jee advanced 2019 edition question bank with solutions megacosm book online at best prices in india on amazon in read fiitjee archive pcm for jee advanced 2019 edition question bank with solutions megacosm book reviews author details and more at amazon in free **fiitjee archive solutions ci kubesail** - Dec 28 2021

web fiitjee archive solutions downloaded from ci kubesail com by guest dorsey raiden archives and archiving universities press key features a large number of preparatory problems with solutions to sharpen problem solving aptitude in physics ideal for developing an intuitive approach to physics inclusion of a number of problems from the [solutions to jee advanced 2022 paper 1 fiitjee](#) - Apr 12 2023

web fiitjee ltd fiitjee house 29 a kalu sarai sarvapriya vihar new delhi 110016 ph 46106000 26569493 fax 26513942 website fiitjee com 10 a when $x \propto q$ the magnitude of the electric field at o is zero b when x **fiitjee download iit jee sample papers fiitjee archive solutions** - Jul 03 2022

web jun 6 2023 fiitjee download repository packages a range von program brochures center attainments student

performances as well as a range of study resources for jee advanced main including aits sample test papers ntse kvpy olympiad solutions

fiitjee study resources - Sep 05 2022

web fiitjee download repository offers a range of program brochures center achievements student performances as well as a range of study resources for jee advanced main including aits sample test papers ntse kvpy olympiad solutions

fiitjee archives jeemain guru - Jul 15 2023

web dec 10 2018 now download fiitjee full test papers for jee main with solutions time allotted is 3hrs max marks are 360 part 1 is physics part 2 is chemistry part 3 is maths marking scheme for three parts each part read more pdf download fiitjee maths question bank for iitjee jeemain guru december 13 2018 2

fiitjee download iit jee sample papers fiitjee archive - Feb 10 2023

web fiitjee download repository advances a range von schedule brochures middle performances student performances such well as a range of study resources for jee advanced main inclusion aits sample test writing ntse kvpy olympiad solutions

archive youtube - Jun 02 2022

web fiitjee archive solution

download fiitjee iit jee study material work book issuu - Jan 09 2023

web oct 5 2020 download fiitjee iit jee study material work book grand master package by fiitjee latest edition specially for jee mains and advanced examination 2021 free of cost from

fiitjee download iit jee sample papers kvpy archive class - Aug 04 2022

web fiitjee downloaded recycle offers a range of run brochures center achievements student performances as well as an range of study capital used jee advanced hauptteil including aits samples test papers ntse kvpy olympics solutions

fiitjee jeebytes - Mar 11 2023

web apr 29 2021 fiitjee fiitjee test series for jee advanced 2021 pdf jee bytes may 5 2021 in fiitjee fiitjee test series for jee advanced 2021 fiit jee advanced mock test for jee advanced 2020 21 batches 12th studying 12 passed physics chemistry mathematics mock 1 to 5 maximum marks 300 time read more

i want to get the fiitjee archive how do you get it quora - May 13 2023

web vdom dhtml tml i want to get the fiitjee archive how do you get it

fiitjee full jee gmp archives solutions 2022 23 - Jun 14 2023

web aug 13 2023 fiitjee full jee gmp archives solutions 2022 23 3 000 negotiable complete set of fiitjee books for preparation for iit jee mains and advanced preparation

fiitjee archive solutions pdf free download fiitjee - Jan 29 2022

web fiitjee archive solutions newest update instructor s solutions manual history fiitjee pdt 2014 answer push jee answer key of by fiitjee fiitjee evt 2014 answerkey last update fiitjee evt 6th april 2014 answer key last modernize fiitjee 6 april 2014 pdt answer key last update fiitjee

dissection of a sheep eye lab report studocu - Sep 17 2023

web laboratory report dissection of sheep eye 1 data figure 1 interior view of the anterior side of a sheep eye cornea iris pupil ciliary muscles sclera figure 1 exterior view of the anterior side of a sheep s eye retina optic disc choroid coat tapetum sclera figure 1 exterior view of the posterior side of a sheep s eye sclera

sheep eye dissection lab report conclusion animal welfare - Mar 31 2022

web sheep eye dissection lab report conclusion yeah reviewing a book sheep eye dissection lab report conclusion could grow your near links listings this is just one of the solutions for you to be successful

sheep eye dissection procedures studylib net - Aug 16 2023

web materials sheep eye dissecting pan surgeons gloves scissors single edge razor blade probe tweezers paper towels procedure step 1 wash the sheep eye in running water to remove the preservative fluid dry the eye with paper towel examine the front of the eye and locate the eyelid cornea sclera white of the eye and fatty tissue

dissection lab report cow eye and sheep brain dissection - Nov 07 2022

web cow eye and sheep brain dissection lab report haven baker ivy tech community college the goal for this experiment was to locate different regions and compare them study these structures and compare the physiology of the eye of a human to the eye of a cow looking at the brain was another way to compare as well

sheep eye dissection lab report conclusion 2023 - Mar 11 2023

web sheep eye dissection lab report conclusion toronto guide to clinical ophthalmology for physicians and medical trainees nov 12 2021 high yield topics physicians and medical trainees need to know to treat the most commonly

sheep brain and cow eye lab report docx course hero - Dec 08 2022

web 1 sheep brain and cow eye dissection lab report ivy tech anatomy and physiology 101 2 27 2020 abstract the purpose of the sheep brain and cow eye dissection is to familiarize locating and identify the regions and structures in the brain and eye the sheep brain and cow eye were used because their functions are similar of a human brain and

sheep brain and cow eye dissection lab report by kristen mandler prezi - Oct 06 2022

web may 2 2016 hypothesis dissection of the brain was performed by using a scalpel to make a mid saggital cut along the longitudinal fissure of the sheep s brain which separated the brain into left and right hemispheres the cerebellum and brain stem were also cut

sheep eye dissection procedures purdue university - Oct 18 2023

web step 1 wash the sheep eye in running water to remove the preservative fluid dry the eye with paper toweling examine the front of the eye and locate the eye lid cornea sclera white of the eye and fatty tissue examine the back of the eye and find extrinsic muscle bundles fatty tissue and the optic nerve

[sheep eye dissection ppt slideshare](#) - Sep 05 2022

web sep 11 2008 sheep eye dissection download as a pdf or view online for free report education health medicine technology year 7 science students dissected sheep s eyeballs in class hawkesdale p12 college follow recommended lab 15 sheepeyediss guest6d238a 5 5k views

sheep eye dissection lab report conclusion - Feb 10 2023

web sheep eye dissection lab report conclusion the dissection of vertebrates aug 13 2021 the dissection of vertebrates provides students with a manual combining pedagogical effective text with high quality accurate and attractive visual references using a systemic approach within a systematic framework for

sheep eye dissection lab report conclusion - Feb 27 2022

web our books bearing in mind this one merely said the sheep eye dissection lab report conclusion is universally compatible taking into consideration any devices to read medical and veterinary entomology gary r mullen 2009 04 22 medical and veterinary entomology second edition has been fully

sheep eye dissection lab report 2023 - Jun 14 2023

web exercises the main dissection specimen is the cat scientific and technical aerospace reports sep 07 2021 anatomy and physiology may 15 2022 this hands on manual contains 55 lab exercises which guide students through human anatomy exercises include labeling of anatomy dissection of anatomic models and fresh or preserved specimens

lab dissection of the sheep eye west linn wilsonville school - Apr 12 2023

web dissection of the sheep eye the size and structures of the sheep eye compare favorably with that of the human eye this coupled with their availability makes them ideal for studying the anatomical structures of the eye materials sheep eyeball dissecting instruments dissecting pan goggles surgical gloves

sheep eye dissection lab report conclusion domainlookup - May 01 2022

web mar 25 2023 have search hundreds times for their chosen novels like this sheep eye dissection lab report conclusion but end up in malicious downloads rather than enjoying a good book with a cup of coffee in the afternoon instead they cope with some malicious virus inside their computer sheep eye dissection lab report conclusion is

sheeps eye lab report emma pelletier sheep s eye dissection lab - Jul 15 2023

web emma pelletier sheep s eye dissection lab report focus questions how is the sheep eye similar and different from a human eye hypothesis a sheep eye and human eye have the same structure concept and functions however it

sheep eye dissection lab report by salami modi prezi - Jan 09 2023

web the sclera is the thick tough white outer covering of the eyeball the cornea is a tough clear covering over the iris and the pupil that helps protect the eye and begins bending light as it passes through the lens further focuses the light to create an image on the retina location cover over the pupil beneath the sclera it s

sheep eye dissection lab report pptx course hero - May 13 2023

web choose item 4 virtual sheep eye dissection and answer the following step 1 1 how do you find the optic nerve its at the back of the eye 2 describe the difference between a sheep eye and a human eye the shaping and coloring step 2 1 what should be performed in this step by cutting eyelid going through all of the fat and muscle 2

dissection lab report by aubrey masters prezi - Aug 04 2022

web aug 1 2015 the eye seemed to consist of a wide variety of tissue types and they were very strong thick after switching my dissection instruments multiple times i finally had to just pierce the edge of the eye enough to allow me to get the scissors in i also observed the size and shape in comparison to what a humans respective structures are

11 7 sheep brain dissection medicine libretexts - Jul 03 2022

web dissection instructions obtain a preserved sheep brain from the bucket in the front of the classroom place this on your dissection tray you will need the following dissection tools to properly perform this lab scalpel scissors probes 3 the sheep brain is enclosed in a tough outer covering called the dura mater

sheep eye dissection mohtadi alkhalig sheep eye dissection - Jun 02 2022

web purpose the purpose of my experiment is to compare the cow regard with the human eye and see an similarities real differences hypothetical if i see the structures of the cow s eye then iodin would be able to observe how the human eye functions materials preserved sheep eye scissors pushing dissection tray guarding gloves paper

10 1 nuclear radiation chemistry libretexts - Sep 05 2022

web a nuclear reaction is a reaction that affects the nucleus of an atom one type of a nuclear reaction is radioactive decay a reaction in which a nucleus spontaneously disintegrates into a slightly lighter nucleus accompanied by the emission of particles energy or both an example is shown below in which the nucleus of a polonium atom

nuclear reactions general theory springerlink - Aug 04 2022

web a nuclear reaction is a process that occurs when a nuclear particle nucleon or nucleus gets into close contact with another most of the known nuclear reactions are produced by exposing different materials to a beam of accelerated nuclear particles

10 nuclear physics physics libretexts - Jul 15 2023

web feb 20 2022 10 5 nuclear reactions early experiments revealed three types of nuclear rays or radiation alpha α rays

beta β rays and gamma γ rays these three types of radiation are differentiated by their ability to penetrate matter

10 2 fission and fusion chemistry libretexts - Jan 29 2022

web aug 13 2020 in an atomic bomb or fission bomb the nuclear chain reaction is designed to be uncontrolled releasing huge amounts of energy in a short amount of time a critical mass of fissionable plutonium is contained within the bomb but not at a sufficient density

nuclear reactions physical science online consortium of - Oct 06 2022

web the reaction in our example above would be written as ${}_{6}^{14}\text{Li} \rightarrow {}_{2}^{4}\text{He} + {}_{4}^{10}\text{Be}$ balancing a radioactive decay equation in balancing a nuclear equation it is important to remember that the sum of all the mass numbers and atomic numbers given on the upper left and lower left side of the element symbol respectively must be equal for both sides of the

10 5 nuclear reactions physics libretexts - Jun 14 2023

web sep 12 2022 describe and compare three types of nuclear radiation use nuclear symbols to describe changes that occur during nuclear reactions describe processes involved in the decay series of heavy elements early experiments revealed three types of nuclear rays or radiation alpha α rays beta β rays and gamma γ rays

nuclear reactions modern nuclear chemistry wiley online - Feb 10 2023

web oct 7 2005 this chapter contains sections titled introduction energetics of nuclear reactions reaction types and mechanisms nuclear reaction cross sections reaction observables rutherford scattering elastic diffractive scattering direct reactions compound nucleus reactions photonuclear reactions heavy ion reactions high

chapter 10 origin of the elements lawrence berkeley national - Mar 11 2023

web chapter 10 origin of the elements 10 2 the nuclear reactions that formed ${}^4\text{He}$ from neutrons and protons were radiative capture reactions free neutrons and protons fused to deuterium ${}^2\text{H}$ or ${}^2\text{H}$ with the excess energy emitted as a 2.2 mev gamma ray $n + p \rightarrow d + \gamma$

chapter 10 nuclear chemistry videos lessons study com - Mar 31 2022

web what are radioactive materials definition examples uses benefits radioactive materials are materials that exhibit radioactivity learn about radioactivity the alpha beta and gamma

copy of ch 10 notes chapter 10 nuclear reactions notes - Jan 09 2023

web chapter 10 nuclear reactions notes name section 1 radioactivity p radioactivity o discovered by in which an unstable nucleus emits charged particles and energy radioisotope an atom containing an unstable nucleus

nuclear reaction definition history types facts britannica - Dec 28 2021

web a typical nuclear reaction involves two reacting particles a heavy target nucleus and a light bombarding particle and produces two new particles a heavier product nucleus and a lighter ejected particle in the first observed nuclear reaction

1919 ernest rutherford bombarded nitrogen with alpha particles and identified the ejected lighter particles as **nuclear reactions springerlink** - Nov 07 2022

web oct 12 2018 the bulk of nuclear reaction processes is however described in terms of a statistical model approach which relies on global nuclear structure and reaction parameters such as level density and mass and barrier penetration respectively

physical science chapter 10 nuclear reactions quizlet - Dec 08 2022

web start studying physical science chapter 10 nuclear reactions learn vocabulary terms and more with flashcards games and other study tools

10 e nuclear and chemical reactions exercises - Apr 12 2023

web aug 13 2020 these are homework exercises to accompany chapter 10 of the university of kentucky s libretext for che 103 chemistry for allied health solutions are available below the questions 10 e nuclear and chemical reactions exercises

chapter 10 principles of nuclear reactors video solutions - Jul 03 2022

web explain how and why the power increases decreases or remains unchanged as a result of each of the separate changes to the reactor a the reactor is deformed into the shape of a football ellipsoid b a person stands next to the core c the temperature of

nuclear reactions modern nuclear chemistry wiley online - Aug 16 2023

web mar 27 2017 this chapter focuses on nuclear reactions that occur between a projectile and a target in a nuclear reaction moderated by the strong force in contrast to the weak force there is conservation of the number of protons and neutrons and thus the number of nucleons thus the total number of neutrons protons on the left and right sides of the *nuclear reaction definition types examples with equations* - Feb 27 2022

web nuclear reactions are processes in which one or more nuclides are produced from the collisions between two atomic nuclei or one atomic nucleus and a subatomic particle the nuclides produced from nuclear reactions are different from the reacting nuclei commonly referred to as the parent nuclei

nuclear interactions and classes of nuclear reaction - May 01 2022

web nov 21 2019 with their help we can study the properties of nuclei obtain and investigate exotic nuclear states highly excited rapidly rotating etc and nuclei at the drip lines proton and neutron rich synthesize superheavy nuclei including new chemical elements explore nuclear reactions mechanisms and so on

nuclear reactions springerlink - Jun 02 2022

web jan 24 2023 in the present chapter we will discuss the basic foundations and experimental techniques for the investigation of nuclear reaction in the middle energy range where nuclei are excited or split nuclear fission are converted

into other nuclei or fused to larger nuclei nuclear fusion

chapter 10 nuclear and chemical reactions chemistry libretexts - May 13 2023

web 10 1 nuclear radiation nuclear reactions are very different from chemical reactions in chemical reactions atoms become more stable by participating in a transfer of electrons or by sharing electrons with other atoms in nuclear reactions it is the nucleus of the atom that gains stability by undergoing a change of some kind