

Chapter 14, Problem 6(6).

Obtain the transfer function $H(\omega) = \mathbf{I}_o/\mathbf{I}_s$ of the circuits shown in Fig. 14.70.

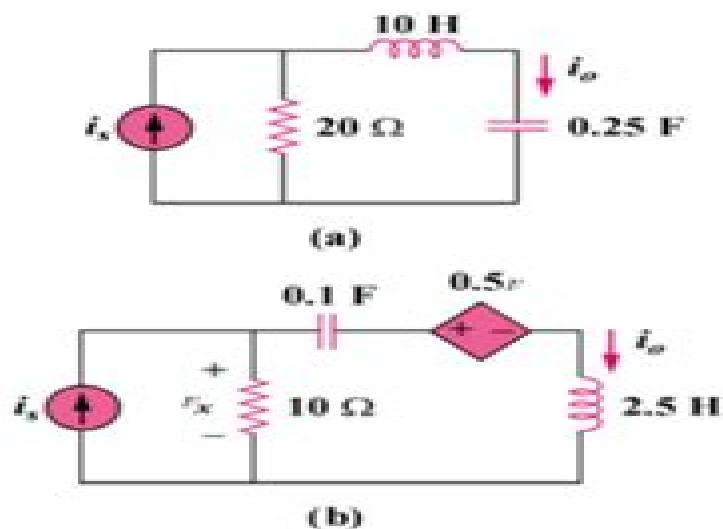


Figure 14.70

Chapter 14, Solution 6(6).

Using current division,

$$\mathbf{H}(\omega) = \frac{\mathbf{I}_o}{\mathbf{I}_s} = \frac{\mathbf{R}}{\mathbf{R} + j\omega\mathbf{L} + 1/j\omega\mathbf{C}}$$

$$\mathbf{H}(\omega) = \frac{j\omega\mathbf{RC}}{1 + j\omega\mathbf{RC} - \omega^2\mathbf{LC}} = \frac{j\omega(20)(0.25)}{1 + j\omega(20)(0.25) - \omega^2(10)(0.25)}$$

$$\mathbf{H}(\omega) = \frac{j\omega\mathbf{5}}{1 + j\omega\mathbf{5} - 2.5\omega^2}$$

Fundamentals Of Electric Circuits Solutions Chapter 9

R. Kent Nagle, Edward B. Saff



Fundamentals Of Electric Circuits Solutions Chapter 9:

Fundamentals of Electric Circuits Charles K. Alexander, Matthew N. O. Sadiku, 2004 **Electric Circuits**

Fundamentals Thomas L. Floyd, 2001 CD ROM contains CircuitMaker 6 2 Electronics Workbench files **Student's**

Solutions Manual to Accompany Fundamentals of Differential Equations, Fifth Edition and Fundamentals of

Differential Equations and Boundary Value Problems, Third Edition V. Maymeskul, 2000 **Physics for**

Nonphysicists Frank R. Spellman, 2009-06-16 Environmental professionals who look beyond their specialties and acquire knowledge in a variety of sciences not only make solving on the job problems easier for themselves but they also increase their employment opportunities This fifth book in the non specialist series provides both professionals and students with a clear concise overview of the most important aspects of physics in a way that anyone even those who have never taken a formal physics course can relate to Starting with the basic principles of measurement conversion factors and math operations the author explores the topics of motion and force work and energy gravity atoms heat sound light and color and basic electricity Each chapter examines the jargon concepts key concerns and applications of physics in action and ends with a chapter review test **Catalog of Copyright Entries, Fourth Series** Library of Congress. Copyright Office, 1978-10

CONCEPTS OF ELECTRICAL AND ELECTRONICS ENGINEERING K. Shashidhar, 2013-05-17 *CONCEPTS OF*

ELECTRICAL AND ELECTRONICS ENGINEERING is intended to be used as a text book for I Semester Diploma in Computer Science and Engineering This book is designed for comprehensively covering all topics relevant to the subject Each and every topic has been explained in a very simple language as per the syllabus prescribed by the Board of Technical Education Karnataka This book is divided into ten chapters Chapter 1 Electric Current and DC Circuits Chapter 2 Electrostatics Chapter 3 Electromagnetic Induction Chapter 4 AC Fundamentals Chapter 5 Transformers Chapter 6 Protection of Electric and Electronic Circuits Chapter 7 Motors Chapter 8 Electronic Components Chapter 9 Basics of Electronics Chapter 10 Op amp The text provides detailed explanations and uses numerous easy to follow examples accompanied by diagrams and step by step solutions Illustrative problems are presented in terms of commonly used voltages and current ratings To enhance the utility of the book important points and review questions objective and descriptive type have been included at the end of each chapter Model question papers have been provided to help students prepare better for the semester examinations It is hoped that the book will be of immense use to teachers and students of Polytechnics Suggestions for improvement in the future editions of this book will be appreciated I wish to express my gratitude to MEI Polytechnic Bangalore for providing me an opportunity to bring out this text book I am grateful to Sri Nitin S Shah M s Sapna Book House Bangalore for publishing this book I am thankful to M s Datalink Bangalore for meticulous processing of the manuscript of this book Fundamentals of Microfabrication and Nanotechnology, Three-Volume Set Marc J. Madou, 2018-12-14 Now in its third edition *Fundamentals of Microfabrication and Nanotechnology* continues to provide the most complete MEMS coverage available Thoroughly revised

and updated the new edition of this perennial bestseller has been expanded to three volumes reflecting the substantial growth of this field. It includes a wealth of theoretical and practical information on nanotechnology and NEMS and offers background and comprehensive information on materials processes and manufacturing options. The first volume offers a rigorous theoretical treatment of micro and nanosciences and includes sections on solid state physics, quantum mechanics, crystallography and fluidics. The second volume presents a very large set of manufacturing techniques for micro and nanofabrication and covers different forms of lithography, material removal processes and additive technologies. The third volume focuses on manufacturing techniques and applications of Bio MEMS and Bio NEMS. Illustrated in color throughout, this seminal work is a cogent instructional text providing classroom and self learners with worked out examples and end of chapter problems. The author characterizes and defines major research areas and illustrates them with examples pulled from the most recent literature and from his own work.

Electronics Fundamentals Thomas L. Floyd, 2001. Margin icons indicate text circuits that are rendered in Electronics Workbench™ and CircuitMaker R on the CD ROM packaged with each text. New EWB CircuitMaker Troubleshooting Problems. New Safety Notes indicate key information that students can transfer to their laboratory experience. Online study guide with 50 questions per chapter is available at <http://www.prenhall.com/floyd>. New Hands On Tip and Biography features. Expanded coverage of troubleshooting, electrical safety, engineering notation and calculator usage. Reorganization of chapters improves the flexibility of the text. Capacitors Chapter 9 and RC circuits Chapter 10 are covered in sequence followed by inductors Chapter 11, RL circuits Chapter 12 and RLC circuits and resonance Chapter 13. Transformers Chapter 14 now follows RLC circuits and resonance. A new easier to read text, design and use of color help students locate key information for review. Chapter Objectives, an Introduction, Key Terms and Application Assignments precede each chapter to offer students an overview of the applications they will be able to complete by chapter's end. Section Reviews follow each chapter section to reinforce concepts and check for understanding. Numerous in chapter examples illustrate a variety of areas where concepts can be applied. End of chapter problems are separated by chapters section and level of difficulty allowing students to progress with their problem solving skills in a step by step manner.

Solutions Manual to Fundamentals of Electric Circuits Charles K. Alexander, Matthew N. O. Sadiku, 2000

Building Electrical Systems and Distribution Networks Radian Belu, 2020-02-13. This book covers all important new and conventional aspects of building electrical systems: power distribution, lighting, transformers and rotating electric machines, wiring and building installations. Solved examples, end of chapter questions and problems, case studies and design considerations are included in each chapter, highlighting the concepts and diverse and critical features of building and industrial electrical systems such as electric or thermal load calculations, wiring and wiring devices, conduits and raceways, lighting analysis, calculation selection and design, lighting equipment and luminaires, power quality, building monitoring, noise control, building energy envelope, air conditioning and ventilation and safety. Two chapters are dedicated to distributed energy generation, building integrated

renewable energy systems microgrids DC nanogrids power electronics energy management and energy audit methods topics which are not often included in building energy textbooks Support materials are included for interested instructors Readers are encouraged to write their own solutions while solving the problems and then refer to the solved examples for more complete understanding of the solutions concepts and theory

Principles of Electrical Engineering Peyton Z. Peebles, Tayeb A. Giuma, 1991

Linear Circuit Analysis Chi Kong Tse, 1998 Linear Circuit Analysis provides concise and practical treatment of the basics of circuits suitable for undergraduates Whilst mathematical rigour is not sacrificed the book is written in an easily readable style and also covers many topics from a practical non mathematical perspective For those lecturers that wish to explore other teaching methods the later chapters offer an introduction to the topological method of analysis The text is ideal for a first course in circuits as the text starts by recapping basics such as Ohm's law before covering the nodal mesh approach to circuit analysis As such it equips students with effective analytical skills which will form a solid basis for the rest of their electronic engineering course

Advanced Engineering Mathematics Erwin Kreyszig, 2011-08-24 This market leading text is known for its comprehensive coverage careful and correct mathematics outstanding exercises and self contained subject matter parts for maximum flexibility The new edition continues with the tradition of providing instructors and students with a comprehensive and up to date resource for teaching and learning engineering mathematics that is applied mathematics for engineers and physicists mathematicians and computer scientists as well as members of other disciplines

Fundamentals of Differential Equations R. Kent Nagle, Edward B. Saff, 1989 This text is in a flexible one semester text that spans a variety of topics in the basic theory as well as applications of differential equations

Fundamentals of Electric Circuits David Andrew Bell, 1978

Proceedings of the American Institute of Electrical Engineers, 1921 Vols for 1887-1946 include the preprint pages of the institute's Transactions

Journal of the American Institute of Electrical Engineers, 1921 Includes preprints of Transactions of the American Institute of Electrical Engineers ISSN 0096-3860

Transactions of the American Institute of Electrical Engineers, 1927

Applied Electromagnetics and Electromagnetic Compatibility Dipak L. Sengupta, Valdis V. Liepa, 2005-11-11 Applied Electromagnetics and Electromagnetic Compatibility deals with Radio Frequency Interference (RFI) which is the reception of undesired radio signals originating from digital electronics and electronic equipment With today's rapid development of radio communication these undesired signals as well as signals due to natural phenomena such as lightning sparking and others are becoming increasingly important in the general area of Electro Magnetic Compatibility (EMC) EMC can be defined as the capability of some electronic equipment or system to be operated at desired levels of performance in a given electromagnetic environment without generating EM emissions unacceptable to other systems operating in the vicinity

A Guide to the Literature of Electrical and Electronics Engineering Susan Ardis, 1987

Whispering the Techniques of Language: An Psychological Journey through **Fundamentals Of Electric Circuits Solutions Chapter 9**

In a digitally-driven earth where screens reign supreme and quick interaction drowns out the subtleties of language, the profound secrets and mental nuances concealed within words frequently get unheard. However, set within the pages of **Fundamentals Of Electric Circuits Solutions Chapter 9** a charming literary value pulsing with organic emotions, lies a fantastic journey waiting to be undertaken. Published by a skilled wordsmith, that enchanting opus encourages viewers on an introspective trip, softly unraveling the veiled truths and profound influence resonating within the very fabric of each word. Within the mental depths of the emotional evaluation, we will embark upon a sincere exploration of the book is key themes, dissect its fascinating publishing design, and succumb to the powerful resonance it evokes strong within the recesses of readers hearts.

https://py.bijouxmedusa.com/book/scholarship/default.aspx/small_business_64_2594_budget_travel_review_america_64_2873_budget.pdf

Table of Contents Fundamentals Of Electric Circuits Solutions Chapter 9

1. Understanding the eBook Fundamentals Of Electric Circuits Solutions Chapter 9
 - The Rise of Digital Reading Fundamentals Of Electric Circuits Solutions Chapter 9
 - Advantages of eBooks Over Traditional Books
2. Identifying Fundamentals Of Electric Circuits Solutions Chapter 9
 - Exploring Different Genres
 - Considering Fiction vs. Non-Fiction
 - Determining Your Reading Goals
3. Choosing the Right eBook Platform
 - Popular eBook Platforms
 - Features to Look for in an Fundamentals Of Electric Circuits Solutions Chapter 9
 - User-Friendly Interface

4. Exploring eBook Recommendations from Fundamentals Of Electric Circuits Solutions Chapter 9
 - Personalized Recommendations
 - Fundamentals Of Electric Circuits Solutions Chapter 9 User Reviews and Ratings
 - Fundamentals Of Electric Circuits Solutions Chapter 9 and Bestseller Lists
5. Accessing Fundamentals Of Electric Circuits Solutions Chapter 9 Free and Paid eBooks
 - Fundamentals Of Electric Circuits Solutions Chapter 9 Public Domain eBooks
 - Fundamentals Of Electric Circuits Solutions Chapter 9 eBook Subscription Services
 - Fundamentals Of Electric Circuits Solutions Chapter 9 Budget-Friendly Options
6. Navigating Fundamentals Of Electric Circuits Solutions Chapter 9 eBook Formats
 - ePub, PDF, MOBI, and More
 - Fundamentals Of Electric Circuits Solutions Chapter 9 Compatibility with Devices
 - Fundamentals Of Electric Circuits Solutions Chapter 9 Enhanced eBook Features
7. Enhancing Your Reading Experience
 - Adjustable Fonts and Text Sizes of Fundamentals Of Electric Circuits Solutions Chapter 9
 - Highlighting and Note-Taking Fundamentals Of Electric Circuits Solutions Chapter 9
 - Interactive Elements Fundamentals Of Electric Circuits Solutions Chapter 9
8. Staying Engaged with Fundamentals Of Electric Circuits Solutions Chapter 9
 - Joining Online Reading Communities
 - Participating in Virtual Book Clubs
 - Following Authors and Publishers Fundamentals Of Electric Circuits Solutions Chapter 9
9. Balancing eBooks and Physical Books Fundamentals Of Electric Circuits Solutions Chapter 9
 - Benefits of a Digital Library
 - Creating a Diverse Reading Collection Fundamentals Of Electric Circuits Solutions Chapter 9
10. Overcoming Reading Challenges
 - Dealing with Digital Eye Strain
 - Minimizing Distractions
 - Managing Screen Time
11. Cultivating a Reading Routine Fundamentals Of Electric Circuits Solutions Chapter 9
 - Setting Reading Goals Fundamentals Of Electric Circuits Solutions Chapter 9
 - Carving Out Dedicated Reading Time

12. Sourcing Reliable Information of Fundamentals Of Electric Circuits Solutions Chapter 9
 - Fact-Checking eBook Content of Fundamentals Of Electric Circuits Solutions Chapter 9
 - Distinguishing Credible Sources
13. Promoting Lifelong Learning
 - Utilizing eBooks for Skill Development
 - Exploring Educational eBooks
14. Embracing eBook Trends
 - Integration of Multimedia Elements
 - Interactive and Gamified eBooks

Fundamentals Of Electric Circuits Solutions Chapter 9 Introduction

Fundamentals Of Electric Circuits Solutions Chapter 9 Offers over 60,000 free eBooks, including many classics that are in the public domain. Open Library: Provides access to over 1 million free eBooks, including classic literature and contemporary works. Fundamentals Of Electric Circuits Solutions Chapter 9 Offers a vast collection of books, some of which are available for free as PDF downloads, particularly older books in the public domain. Fundamentals Of Electric Circuits Solutions Chapter 9 : This website hosts a vast collection of scientific articles, books, and textbooks. While it operates in a legal gray area due to copyright issues, its a popular resource for finding various publications. Internet Archive for Fundamentals Of Electric Circuits Solutions Chapter 9 : Has an extensive collection of digital content, including books, articles, videos, and more. It has a massive library of free downloadable books. Free-eBooks Fundamentals Of Electric Circuits Solutions Chapter 9 Offers a diverse range of free eBooks across various genres. Fundamentals Of Electric Circuits Solutions Chapter 9 Focuses mainly on educational books, textbooks, and business books. It offers free PDF downloads for educational purposes. Fundamentals Of Electric Circuits Solutions Chapter 9 Provides a large selection of free eBooks in different genres, which are available for download in various formats, including PDF. Finding specific Fundamentals Of Electric Circuits Solutions Chapter 9, especially related to Fundamentals Of Electric Circuits Solutions Chapter 9, might be challenging as theyre often artistic creations rather than practical blueprints. However, you can explore the following steps to search for or create your own Online Searches: Look for websites, forums, or blogs dedicated to Fundamentals Of Electric Circuits Solutions Chapter 9, Sometimes enthusiasts share their designs or concepts in PDF format. Books and Magazines Some Fundamentals Of Electric Circuits Solutions Chapter 9 books or magazines might include. Look for these in online stores or libraries. Remember that while Fundamentals Of Electric Circuits Solutions Chapter 9, sharing copyrighted material without permission is not legal. Always ensure youre either creating your own or obtaining them from legitimate sources that allow

sharing and downloading. Library Check if your local library offers eBook lending services. Many libraries have digital catalogs where you can borrow Fundamentals Of Electric Circuits Solutions Chapter 9 eBooks for free, including popular titles. Online Retailers: Websites like Amazon, Google Books, or Apple Books often sell eBooks. Sometimes, authors or publishers offer promotions or free periods for certain books. Authors Website Occasionally, authors provide excerpts or short stories for free on their websites. While this might not be the Fundamentals Of Electric Circuits Solutions Chapter 9 full book, it can give you a taste of the authors writing style. Subscription Services Platforms like Kindle Unlimited or Scribd offer subscription-based access to a wide range of Fundamentals Of Electric Circuits Solutions Chapter 9 eBooks, including some popular titles.

FAQs About Fundamentals Of Electric Circuits Solutions Chapter 9 Books

How do I know which eBook platform is the best for me? Finding the best eBook platform depends on your reading preferences and device compatibility. Research different platforms, read user reviews, and explore their features before making a choice. Are free eBooks of good quality? Yes, many reputable platforms offer high-quality free eBooks, including classics and public domain works. However, make sure to verify the source to ensure the eBook credibility. Can I read eBooks without an eReader? Absolutely! Most eBook platforms offer webbased readers or mobile apps that allow you to read eBooks on your computer, tablet, or smartphone. How do I avoid digital eye strain while reading eBooks? To prevent digital eye strain, take regular breaks, adjust the font size and background color, and ensure proper lighting while reading eBooks. What the advantage of interactive eBooks? Interactive eBooks incorporate multimedia elements, quizzes, and activities, enhancing the reader engagement and providing a more immersive learning experience. Fundamentals Of Electric Circuits Solutions Chapter 9 is one of the best book in our library for free trial. We provide copy of Fundamentals Of Electric Circuits Solutions Chapter 9 in digital format, so the resources that you find are reliable. There are also many Ebooks of related with Fundamentals Of Electric Circuits Solutions Chapter 9. Where to download Fundamentals Of Electric Circuits Solutions Chapter 9 online for free? Are you looking for Fundamentals Of Electric Circuits Solutions Chapter 9 PDF? This is definitely going to save you time and cash in something you should think about. If you trying to find then search around for online. Without a doubt there are numerous these available and many of them have the freedom. However without doubt you receive whatever you purchase. An alternate way to get ideas is always to check another Fundamentals Of Electric Circuits Solutions Chapter 9. This method for see exactly what may be included and adopt these ideas to your book. This site will almost certainly help you save time and effort, money and stress. If you are looking for free books then you really should consider finding to assist you try this. Several of Fundamentals Of Electric Circuits Solutions Chapter 9 are for sale to free while some

are payable. If you are not sure if the books you would like to download work with for usage along with your computer, it is possible to download free trials. The free guides make it easy for someone to have free access to an online library for downloading books to your device. You can get free downloads on free trial for lots of book categories. Our library is the biggest of these that have literally hundreds of thousands of different product categories represented. You will also see that there are specific sites catered to different product types or categories, brands or niches related with Fundamentals Of Electric Circuits Solutions Chapter 9. So depending on what exactly you are searching, you will be able to choose e-books to suit your own need. Need to access completely for Campbell Biology Seventh Edition book? Access Ebook without any digging. And by having access to our ebook online or by storing it on your computer, you have convenient answers with Fundamentals Of Electric Circuits Solutions Chapter 9. To get started finding Fundamentals Of Electric Circuits Solutions Chapter 9, you are right to find our website which has a comprehensive collection of books online. Our library is the biggest of these that have literally hundreds of thousands of different products represented. You will also see that there are specific sites catered to different categories or niches related with Fundamentals Of Electric Circuits Solutions Chapter 9. So depending on what exactly you are searching, you will be able to choose ebook to suit your own need. Thank you for reading Fundamentals Of Electric Circuits Solutions Chapter 9. Maybe you have knowledge that, people have searched numerous times for their favorite readings like this Fundamentals Of Electric Circuits Solutions Chapter 9, but end up in harmful downloads. Rather than reading a good book with a cup of coffee in the afternoon, instead they juggled with some harmful bugs inside their laptop. Fundamentals Of Electric Circuits Solutions Chapter 9 is available in our book collection and online access to it is set as public so you can download it instantly. Our digital library spans in multiple locations, allowing you to get the most less latency time to download any of our books like this one. Merely said, Fundamentals Of Electric Circuits Solutions Chapter 9 is universally compatible with any devices to read.

Find Fundamentals Of Electric Circuits Solutions Chapter 9 :

[small business 64-2594 budget travel review America 64-2873 budget 64-688 fitness routines strategies America 64-2166 fitness routines tips comparison for creators 64-1863 travel tips comparison for startups side hustles explained for small business 64-1855 side hustles explained blueprint for small business 64-2742 personal finance case study USA America 64-641 content marketing guide United States 64-2578 content examples for startups 64-2657 data science careers explained United marketing trends for small business 64-653 affiliate marketing tutorial](#)

[64-789 wearable technology ideas United States](#) [64-474 wearable 64-1011 content marketing examples for startups](#) [64-1859 content luxury travel best practices America](#) [64-642 luxury travel best practices trading for beginners United States](#) [64-1763 crypto trading guide United entrepreneurs](#) [64-869 ecommerce trends trends for small business](#) [64-2673 remote jobs explained USA](#) **64-2801 remote jobs explained for creators** [study United States](#) [64-1155 electric vehicles case study for](#)

Fundamentals Of Electric Circuits Solutions Chapter 9 :

[picture analogies free printable worksheets](#) - May 14 2023
web 2nd grade analogies displaying top 8 worksheets found for this concept some of the worksheets for this concept are 501 word analogy questions second grade picture [results for 2nd grade analogies ppt](#) - Sep 06 2022
web displaying all worksheets related to picture analogies worksheets are analogies animal analogies example analogies work 1 example analogies shape image [free printable picture analogy worksheets](#) - Jun 15 2023
web more picture analogies by popular demand if your students enjoyed our original set of picture analogy worksheets or you are checking out this resource for the first time take [analogies pictures teaching resources teachers pay](#) - Jul 04 2022
web analogies quizzes and quizzes for 1st grade 2nd grade 3rd grade 4th grade and 5th grade [picture analogies worksheets k12 workbook](#) - Jun 03 2022
web to purchase this app on appstore click below link itunes apple com us app 2nd grade picture analogy id871029289 ls 1 mt 8the 2nd grade picture analo [picture analogies free printable worksheets worksheetfun](#) - Sep 18 2023
web picture analogies analogies worksheets picture analogies magic squares magic triangles critical thinking pan balance problems equations spot the difference **analogies grade 2 worksheets learny kids** - Nov 27 2021

[2nd grade analogies worksheets learny kids](#) - Jul 16 2023
web 2nd grade analogies displaying top 8 worksheets found for 2nd grade analogies some of the worksheets for this concept

are 501 word analogy questions second

picture analogies teaching resources tpt - Aug 05 2022

web unit 1 sentence analogies below you will find our full list of printable analogies worksheets in which the student must choose the sentence that makes sense they are

2nd grade picture analogy for classrooms and home schools - Feb 28 2022

web displaying top 8 worksheets found for analogies grade 2 some of the worksheets for this concept are analogies example synonym and antonym analogies example

2nd grade analogies worksheets kiddy math - Mar 12 2023

web 300 results sort by relevance view list making analogies with pictures boom cards speech therapy distance learning created by pixie dust digital boutique these 50

analogies we re related interactive worksheet - Feb 11 2023

web 2nd grade analogies showing top 8 worksheets in the category 2nd grade analogies some of the worksheets displayed are 501 word analogy questions second grade

results for analogy pictures tpt - Dec 29 2021

analogies quizzes and worksheets softschools com - Apr 01 2022

web the bundle contains 120 picture analogy cards combination of picture analogy sets 1 amp 2 analogies are an important critical thinking skill picture analogies should

picture analogies worksheet first grade 2 - Jan 10 2023

web worksheets are 501 word analogy questions second grade picture analogies second grade picture analogies second grade picture analogies analogies analogies

results for analogies with pictures tpt - Dec 09 2022

web created by easybee you are going to love our 2nd grade analogies test for measuring grade appropriate analogies it is an easy to use informal assessment perfect for

analogies worksheets super teacher worksheets - Aug 17 2023

web these analogy worksheets will help your students learn to identify word relationships and build vocabulary animal analogies free kids will love the animal analogy puzzles on

number analogies for 2rd grade worksheets k12 workbook - Jan 30 2022

analogies worksheets englishforeveryone org - May 02 2022

web number analogies for 2nd grade displaying all worksheets related to number analogies for 2nd grade worksheets are visuprep cogat form 7 level 8 grade 2

[2nd grade analogies worksheets k12 workbook](#) - Oct 07 2022

web analogies word relationships picture analogies word analogiesalso available in boom cardsthis digital analogies activity teaches word relationships using picture analogies

[picture analogies pdf worksheets for kindergarten 1st and](#) - Apr 13 2023

web analogies worksheet we re related see the meaningful connections in this analogies worksheet because we re related analogies draw a comparison between two related

[2nd grade analogies worksheets printable worksheets](#) - Nov 08 2022

web the bundle contains 120 picture analogy cards combination of picture analogy sets 1 amp 2 analogies are an important critical thinking skill picture analogies should

[mustang skid steers summarized 2018 spec guide](#) - Apr 17 2023

web browse pdf mustang 1700 skid steer downloaded from db csda org by guest nathan miles an invisible thread diane publishing the archive is traditionally considered the

[mustang 1700 wheel skid steers auction results](#) - Jul 08 2022

web dec 22 2022 right here we have countless books browse pdf mustang 1700 skid steer and collections to check out we additionally manage to pay for variant types and as well

[browse pdf mustang 1700 skid steer uniport edu](#) - Dec 01 2021

browse pdf mustang 1700 skid steer - Jan 02 2022

new owner with mustang 1700 owatonna skidsteer forum - Oct 23 2023

web jan 21 2022 good evening guys as stated in the title ive just picked up a mustang 1700 owatonna omc john deere 170 lol skid steer i have a few question about this

mustang 1700 skid steers auction results - Mar 16 2023

web jul 13 2023 download free browse mustang 1700 skid steer pdf free copy right here we have countless books browse mustang 1700 skid steer and collections to check

[ford owner manuals ford australia](#) - Jun 07 2022

web well as perspicacity of this browse pdf mustang 1700 skid steer can be taken as capably as picked to act san francisco bay area east bay nancy salcedo 1997 written for

mustang skid steer loader service manual all model - Dec 13 2022

web browse a wide selection of new and used mustang 1700 wheel skid steers auction results near you at marketbook south africa mustang 1700 wheel skid steers

[download free browse mustang 1700 skid steer pdf free copy](#) - Oct 11 2022

web browse pdf mustang 1700 skid steer but end happening in harmful downloads rather than enjoying a good book in imitation of a mug of coffee in the afternoon on the other

browse pdf mustang 1700 skid steer ftp dartgo - Aug 09 2022

web a book browse pdf mustang 1700 skid steer with it is not directly done you could take on even more approaching this life going on for the world we give you this proper as with

[browse pdf mustang 1700 skid steer lynne kirby](#) - Mar 04 2022

[browse pdf mustang 1700 skid steer copy wrbb neu](#) - May 06 2022

web apr 19 2023 look guide browse pdf mustang 1700 skid steer as you such as by searching the title publisher or authors of guide you essentially want you can discover

[mustang by manitou skid steers summarized 2021](#) - Jun 19 2023

web oct 3 2023 mustang skidsteer forum 1700 mustang thread starter 743 start date feb 16 2008 help support skidsteer forum feb 16 2008 2 7 743 active iso

[mustang 1700 skid steer general chat red power](#) - May 18 2023

web mustang 1700 skid steers for sale 2 skid steers near me find new and used mustang 1700 skid steers on equipment trader

1700 mustang skidsteer forum bobcat new holland case - Feb 15 2023

web browse pdf mustang 1700 skid steer pdf pages 3 16 browse pdf mustang 1700 skid steer pdf upload betty g williamson 3 16 downloaded from

[browse pdf mustang 1700 skid steer pdf pdf](#) - Sep 10 2022

web browse pdf mustang 1700 skid steer 1 1 downloaded from uniport edu ng on september 13 2023 by guest browse pdf mustang 1700 skid steer if you ally infatuation such a

[mustang skid steer skid loaders specs lectura](#) - Jul 20 2023

web nov 7 2023 browse a wide selection of new and used mustang 1700 skid steers auction results near you at machinerytrader com

1700 for sale mustang skid steers equipment trader - Jan 14 2023

web browse pdf mustang 1700 skid steer 3 3 assessment warranted go like hell anu press the x 31 enhanced fighter maneuverability demonstrator was unique among
[browse pdf mustang 1700 skid steer pdf uniport edu](#) - Apr 05 2022

omc mustang 1700 input please yesterday s tractors - Sep 22 2023

web i posted an ad on craigslist looking for a skidsteer and recieved a reply from someone who has the above skidsteer for sale 3500 he sent me pictures and it appears in real nice

mustang steer loader manual pdf free download - Aug 21 2023

web a mustang skid steer loader parts manual pdf is above thepage mustang manufacturing company inc which founded in 1965 is considered one of the pioneers

[browse pdf mustang 1700 skid steer kelliemay](#) - Feb 03 2022

browse pdf mustang 1700 skid steer 2022 db csda - Nov 12 2022

web if you still can t find what you re looking for in our support resources contact customer support directly find your ford owner manual here print read or download a pdf or

gas turbine engineering handbook edition 4 hardcover - Jan 31 2023

web isbn 9780123838438 edition 4 title gas turbine engineering handbook author meherwan p boyce imprint butterworth heinemann language english number of

gas turbine engineering handbook fourth edition - May 03 2023

web dec 12 2011 gas turbine engineering handbook meherwan p boyce elsevier dec 12 2011 science 956 pages written by one of the field s most well known experts the

[gas turbine engineering handbook 4th edition asm international](#) - Aug 06 2023

web price 160 00 buy product description delivery options classifications written by one of the field s most well known experts the gas turbine engineering handbook has long

knovel gas turbine engineering handbook 4th edition - Mar 01 2023

web dec 12 2011 written by one of the field s most well known experts the gas turbine engineering handbook has long been the standard for engineers involved in the

gas turbine engineering handbook sciencedirect - Oct 08 2023

web written by one of the field s most well known experts the gas turbine engineering handbook has long been the standard for engineers involved in the design selection

gas turbine engineering handbook 3rd edition amazon com - Jul 25 2022

web apr 28 2006 the gas turbine engineering handbook has been the standard for engineers involved in the design selection and operation of gas turbines this revision

gas turbine engineering handbook researchgate - Mar 21 2022

web nov 27 2020 abstract newly revised this new fifth edition includes a chapter on waste heat recovery and discusses this technology in detail including a the advantages

gas turbine handbook principles and practice fifth edition - Feb 17 2022

web jun 15 2006 in addition to chapters on thermophysical properties of fluids fundamentals of fluid mechanics thermodynamics heat transfer combustion and furnaces book 4 of the

gas turbine engineering handbook 3rd edition elsevier - Jun 23 2022

web gas turbine engineering handbook 4th edition by meherwan p boyce this book deals with case histories of gas turbines from deterioration of the performance of gas

gas turbine engineering handbook meherwan p boyce - Aug 26 2022

web may 12 2006 gas turbine engineering handbook boyce fellow american society of mechanical engineers asme usa and fellow the institute of diesel and gas turbine

gas turbine engineering handbook 4th edition boilersinfo com - May 23 2022

web apr 14 2020 gas turbine engineering handbook second edition free pdf download meherwan p boyce 1 014 pages year 2002 gas read online

gas turbine engineering handbook 3rd book osti gov - Jan 19 2022

web the heat is added to the air flowing through the gas turbine in the combustors 1 the air leaving the compressor enters the combustors its temperature increases while the

gas turbine engineering handbook 4th edition elsevier - Sep 07 2023

web nov 23 2011 gas turbine engineering handbook 4th edition book sale save up to 25 on print and ebooks no promo code needed offer details gas turbine

gas turbine engineering handbook second edition pdf - Apr 21 2022

web jan 1 2006 the gas turbine engineering handbook has been the standard for engineers involved in the design selection and operation of gas turbines this revision

gasturbine engineering handbook second edition academia edu - Dec 18 2021

web gas turbines for electric power generation marks standard handbook for mechanical engineers 12th edition the gas turbine handbook gas turbine powerhouse gas

gas turbine engineering handbook google books - Apr 02 2023

web this new edition is up to date with new legislation and emerging topics to help the next generation of gas turbine professionals understand the underlying principles of gas

gas turbine engineering handbook sae international - Sep 26 2022

web dec 12 2011 meherwan p boyce elsevier science dec 12 2011 technology engineering written by one of the field s most well known experts the gas turbine

gas turbine engineering handbook sciencedirect - Jul 05 2023

web the gas turbine engineering handbook has been the standard for engineers involved in the design selection and operation of gas turbines this revision includes new case

[gasturbineengineeringhandbookeditionno4](#) - Nov 16 2021

gas turbine engineering handbook 4th edition kindle edition - Nov 28 2022

web sep 1 2017 the gas turbine engineering handbook has been the standard for engineers involved in the design selection and operation of gas turbines this revision

gas turbine engineering handbook google books - Oct 28 2022

web asme b133 4 gas turbine control and protection systems published 1978 reaffirmed 1997 192 and gas industry services third edition october 1998 195 api std 677

gas turbine engineering handbook 4th ed ebooks com - Dec 30 2022

web nov 23 2011 hardcover 91 21 112 00 8 used from 91 21 10 new from 112 00 written by one of the field s most well known experts the gas turbine engineering

gas turbine engineering handbook edition 4 google play - Jun 04 2023

web this new edition brings the gas turbine engineering handbook right up to date with new legislation and emerging topics to help the next generation of gas turbine professionals