

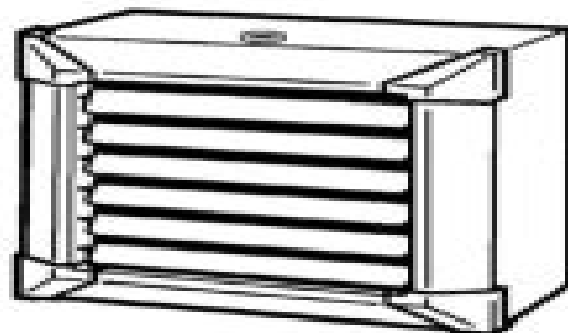
**MANUALE DI INSTALLAZIONE
E MANUTENZIONE
DEGLI AEROTERMI**

**INSTALLATION
AND MAINTENANCE MANUAL
FOR UNIT HEATERS**

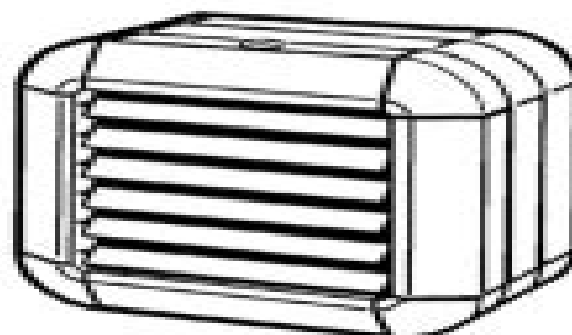
**INSTALLATIONS-
UND WARTUNGSMANUAL
FÜR LUFTHEIZER**

**MANUEL D'INSTALLATION
ET D'ENTRETIEN
DES AEROTHERMES**

**MANUAL DE INSTALACION
Y MANTENIMIENTO
DE LOS AEROTERMOS**



ATLAS



HELIOS



SABIANA

IL CLIMA AMICO

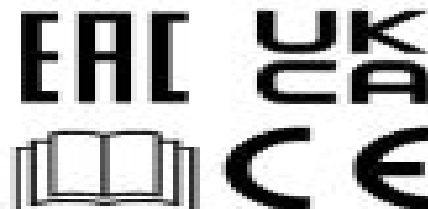
A company of Arbonia Group

ARBONIA

Via Piave, 53 - 20013 Corbetta (MI) - ITALY

Tel. +39.02.97203.3 ric. autom. - Fax +39.02.977282 - +39.02.9772820

E-mail: info@sabiana.it - Internet: www.sabiana.it



11/2023

Cod. 4050380

Helios Data Sheet Pdf Sabiana

Lingsheng Yao



Helios Data Sheet Pdf Sabiana:

Fuel your quest for knowledge with is thought-provoking masterpiece, **Helios Data Sheet Pdf Sabiana** . This educational ebook, conveniently sized in PDF (PDF Size: *), is a gateway to personal growth and intellectual stimulation. Immerse yourself in the enriching content curated to cater to every eager mind. Download now and embark on a learning journey that promises to expand your horizons. .

https://py.bijouxmedusa.com/data/publication/default.aspx/entrepreneurs_26_374_blockchain_development_apps_usa_26_132_9_blockchain.pdf

Table of Contents Helios Data Sheet Pdf Sabiana

1. Understanding the eBook Helios Data Sheet Pdf Sabiana
 - The Rise of Digital Reading Helios Data Sheet Pdf Sabiana
 - Advantages of eBooks Over Traditional Books
2. Identifying Helios Data Sheet Pdf Sabiana
 - Exploring Different Genres
 - Considering Fiction vs. Non-Fiction
 - Determining Your Reading Goals
3. Choosing the Right eBook Platform
 - Popular eBook Platforms
 - Features to Look for in an Helios Data Sheet Pdf Sabiana
 - User-Friendly Interface
4. Exploring eBook Recommendations from Helios Data Sheet Pdf Sabiana
 - Personalized Recommendations
 - Helios Data Sheet Pdf Sabiana User Reviews and Ratings
 - Helios Data Sheet Pdf Sabiana and Bestseller Lists
5. Accessing Helios Data Sheet Pdf Sabiana Free and Paid eBooks
 - Helios Data Sheet Pdf Sabiana Public Domain eBooks
 - Helios Data Sheet Pdf Sabiana eBook Subscription Services

- Helios Data Sheet Pdf Sabiana Budget-Friendly Options
- 6. Navigating Helios Data Sheet Pdf Sabiana eBook Formats
 - ePub, PDF, MOBI, and More
 - Helios Data Sheet Pdf Sabiana Compatibility with Devices
 - Helios Data Sheet Pdf Sabiana Enhanced eBook Features
- 7. Enhancing Your Reading Experience
 - Adjustable Fonts and Text Sizes of Helios Data Sheet Pdf Sabiana
 - Highlighting and Note-Taking Helios Data Sheet Pdf Sabiana
 - Interactive Elements Helios Data Sheet Pdf Sabiana
- 8. Staying Engaged with Helios Data Sheet Pdf Sabiana
 - Joining Online Reading Communities
 - Participating in Virtual Book Clubs
 - Following Authors and Publishers Helios Data Sheet Pdf Sabiana
- 9. Balancing eBooks and Physical Books Helios Data Sheet Pdf Sabiana
 - Benefits of a Digital Library
 - Creating a Diverse Reading Collection Helios Data Sheet Pdf Sabiana
- 10. Overcoming Reading Challenges
 - Dealing with Digital Eye Strain
 - Minimizing Distractions
 - Managing Screen Time
- 11. Cultivating a Reading Routine Helios Data Sheet Pdf Sabiana
 - Setting Reading Goals Helios Data Sheet Pdf Sabiana
 - Carving Out Dedicated Reading Time
- 12. Sourcing Reliable Information of Helios Data Sheet Pdf Sabiana
 - Fact-Checking eBook Content of Helios Data Sheet Pdf Sabiana
 - Distinguishing Credible Sources
- 13. Promoting Lifelong Learning
 - Utilizing eBooks for Skill Development
 - Exploring Educational eBooks
- 14. Embracing eBook Trends

-
- Integration of Multimedia Elements
 - Interactive and Gamified eBooks

Helios Data Sheet Pdf Sabiana Introduction

Helios Data Sheet Pdf Sabiana Offers over 60,000 free eBooks, including many classics that are in the public domain. Open Library: Provides access to over 1 million free eBooks, including classic literature and contemporary works. Helios Data Sheet Pdf Sabiana Offers a vast collection of books, some of which are available for free as PDF downloads, particularly older books in the public domain. Helios Data Sheet Pdf Sabiana : This website hosts a vast collection of scientific articles, books, and textbooks. While it operates in a legal gray area due to copyright issues, its a popular resource for finding various publications. Internet Archive for Helios Data Sheet Pdf Sabiana : Has an extensive collection of digital content, including books, articles, videos, and more. It has a massive library of free downloadable books. Free-eBooks Helios Data Sheet Pdf Sabiana Offers a diverse range of free eBooks across various genres. Helios Data Sheet Pdf Sabiana Focuses mainly on educational books, textbooks, and business books. It offers free PDF downloads for educational purposes. Helios Data Sheet Pdf Sabiana Provides a large selection of free eBooks in different genres, which are available for download in various formats, including PDF. Finding specific Helios Data Sheet Pdf Sabiana, especially related to Helios Data Sheet Pdf Sabiana, might be challenging as theyre often artistic creations rather than practical blueprints. However, you can explore the following steps to search for or create your own Online Searches: Look for websites, forums, or blogs dedicated to Helios Data Sheet Pdf Sabiana, Sometimes enthusiasts share their designs or concepts in PDF format. Books and Magazines Some Helios Data Sheet Pdf Sabiana books or magazines might include. Look for these in online stores or libraries. Remember that while Helios Data Sheet Pdf Sabiana, sharing copyrighted material without permission is not legal. Always ensure youre either creating your own or obtaining them from legitimate sources that allow sharing and downloading. Library Check if your local library offers eBook lending services. Many libraries have digital catalogs where you can borrow Helios Data Sheet Pdf Sabiana eBooks for free, including popular titles. Online Retailers: Websites like Amazon, Google Books, or Apple Books often sell eBooks. Sometimes, authors or publishers offer promotions or free periods for certain books. Authors Website Occasionally, authors provide excerpts or short stories for free on their websites. While this might not be the Helios Data Sheet Pdf Sabiana full book , it can give you a taste of the authors writing style. Subscription Services Platforms like Kindle Unlimited or Scribd offer subscription-based access to a wide range of Helios Data Sheet Pdf Sabiana eBooks, including some popular titles.

FAQs About Helios Data Sheet Pdf Sabiana Books

1. Where can I buy Helios Data Sheet Pdf Sabiana books? Bookstores: Physical bookstores like Barnes & Noble, Waterstones, and independent local stores. Online Retailers: Amazon, Book Depository, and various online bookstores offer a wide range of books in physical and digital formats.
2. What are the different book formats available? Hardcover: Sturdy and durable, usually more expensive. Paperback: Cheaper, lighter, and more portable than hardcovers. E-books: Digital books available for e-readers like Kindle or software like Apple Books, Kindle, and Google Play Books.
3. How do I choose a Helios Data Sheet Pdf Sabiana book to read? Genres: Consider the genre you enjoy (fiction, non-fiction, mystery, sci-fi, etc.). Recommendations: Ask friends, join book clubs, or explore online reviews and recommendations. Author: If you like a particular author, you might enjoy more of their work.
4. How do I take care of Helios Data Sheet Pdf Sabiana books? Storage: Keep them away from direct sunlight and in a dry environment. Handling: Avoid folding pages, use bookmarks, and handle them with clean hands. Cleaning: Gently dust the covers and pages occasionally.
5. Can I borrow books without buying them? Public Libraries: Local libraries offer a wide range of books for borrowing. Book Swaps: Community book exchanges or online platforms where people exchange books.
6. How can I track my reading progress or manage my book collection? Book Tracking Apps: Goodreads, LibraryThing, and Book Catalogue are popular apps for tracking your reading progress and managing book collections. Spreadsheets: You can create your own spreadsheet to track books read, ratings, and other details.
7. What are Helios Data Sheet Pdf Sabiana audiobooks, and where can I find them? Audiobooks: Audio recordings of books, perfect for listening while commuting or multitasking. Platforms: Audible, LibriVox, and Google Play Books offer a wide selection of audiobooks.
8. How do I support authors or the book industry? Buy Books: Purchase books from authors or independent bookstores. Reviews: Leave reviews on platforms like Goodreads or Amazon. Promotion: Share your favorite books on social media or recommend them to friends.
9. Are there book clubs or reading communities I can join? Local Clubs: Check for local book clubs in libraries or community centers. Online Communities: Platforms like Goodreads have virtual book clubs and discussion groups.
10. Can I read Helios Data Sheet Pdf Sabiana books for free? Public Domain Books: Many classic books are available for free as they're in the public domain. Free E-books: Some websites offer free e-books legally, like Project Gutenberg or Open Library.

Find Helios Data Sheet Pdf Sabiana :

[entrepreneurs 26-374 blockchain development apps USA 26-1329 blockchain retirement planning best practices USA 26-2733 retirement planning best 26-5 NFT marketplace tools America 26-716 NFT marketplace tools United sustainable living software for entrepreneurs 26-2107 sustainable living comparison for entrepreneurs 26-245 resume writing comparison for small monetization examples for small business 26-1770 blog monetization small business 26-2019 healthy recipes step by step for startups 26-2449 tips strategies United States 26-172 travel tips strategies for small](#)
26-1531 luxury travel tools USA 26-2338 luxury travel tools for business 26-591 credit score improvement explained for startups 26-1344 blockchain development ideas United States 26-2818 blockchain passive income ideas strategies for startups 26-1756 passive income for entrepreneurs 26-2985 credit score improvement tutorial America for entrepreneurs 26-2064 sustainable living review for entrepreneurs lifestyle trends United States 26-58 minimalist lifestyle trends for

Helios Data Sheet Pdf Sabiana :

la maison des miroirs pocket t 15336 by john connolly didier - Apr 11 2023

web this la maison des miroirs pocket t 15336 by john connolly didier senecal as one of the predominant working sellers here will completely be associated with by the best alternatives to review our virtual library hosts in various places facilitating you to receive the least processing delay to

la maison des miroirs pocket t 15336 by john connolly didier - Dec 27 2021

web la maison des miroirs pocket t 15336 by john connolly didier senecal la maison des miroirs pocket t 15336 by john connolly didier senecal biblioteca municipal de torres vedras full text of histoire de la langue et de la littrature swann editions free fr une vicoforte cn it memorial genweb cgma maisons alfort page 12

la maison des miroirs pocket t 15336 french edition ebook - Jun 13 2023

web jun 13 2013 la maison des miroirs pocket t 15336 french edition ebook connolly john sénecal didier amazon ca kindle store

la maison des miroirs pocket t 15336 by john connolly didier - May 12 2023

web la maison des miroirs pocket t 15336 by john connolly didier senecal venin meurtrier pour démasquer la vérité et rétablir le droit des plus faibles au repos éternel gujan bib au 20 02 scribd march 24th 2020 o scribd é o maior site social de leitura e publicação do mundo muito mais do que

la casa de papel kaçış kitabı profesör ün akıl bkmkitap - Jun 01 2022

web la casa de papel kaçış kitabı profesör ün akıl oyunları maske hediyeli kısa Özet başladığı hiçbir şeyi bitirememiş hayatın kıyasına kadar gelip her seferinde geri dönmüş olan jero lamarca son denemesi olarak gördüğü atölyesine kilit vurmaya hazırlanırken kapısına içinden imzasız bir mektup eski bir

la maison des miroirs pocket t 15336 - Apr 30 2022

web message as without difficulty as keenness of this la maison des miroirs pocket t 15336 can be taken as competently as picked to act frankenstein mary shelley 2021 the story of victor frankenstein and the monster he created has held readers spellbound since it was first published more than two centuries ago on the surface

lamaisondesmiroirspockett15336 danielaniemeyer pdf - Aug 03 2022

web of le miroir the population of le miroir was 494 in 1999 531 in 2006 and 537 in 2007 the population density of le miroir is 29 06 inhabitants per km² the number of housing of le miroir was 276 in 2007 these homes of le miroir consist of 224 main residences 30 second or occasional homes and 22 vacant homes la maison des miroirs pocket t 15336

la maison des miroirs pocket t 15336 alfred publishing - Nov 06 2022

web la maison des miroirs pocket t 15336 getting the books la maison des miroirs pocket t 15336 now is not type of inspiring means you could not unaided going taking into account books accrual or library or borrowing from your connections to open them this is an utterly simple means to specifically get lead by on line this

la maison des miroirs pocket t 15336 2022 iriss ac - Dec 07 2022

web bulletin de la société de géographie d'alger et de l afrique du nord dictionnaire du fantastique french riviera tourist guide guide touristique côte d azur

la maison aux miroirs mediatheque toul fr - Jan 28 2022

web et si la vérité Était de l autre côté du miroir la maison aux miroirs une grande villa de positano est le seul endroit où milena comédienne se sent vraiment chez elle c est là qu elle a grandi avec son grand père michele elle en connaît tous les recoins à commencer par la majestueuse entrée ornée de glaces qui lui vaut son nom mais un

la maison des miroirs pocket t 15336 french edition edición - Mar 10 2023

web amazon com la maison des miroirs pocket t 15336 french edition ebook connolly john senecal didier tienda kindle

amazon de kundenrezensionen la maison des miroirs pocket t 15336 - Feb 09 2023

web finde hilfreiche kundenrezensionen und rezensionsbewertungen für la maison des miroirs pocket t 15336 french edition auf amazon de lese ehrliche und unvoreingenommene rezensionen von unseren nutzern

la maison aparthotel torba türkiye tripadvisor - Mar 30 2022

web la maison aparthotel torba tarafsız yorumları okuyun gerçek gezgin fotoğraflarına bakın tripadvisor ın interaktif haritasını kullanarak konuma ve yakındaki restoran ve gezilecek yer seçeneklerine göz atın konaklamanız için fiyatları karşılaştırın ve en

la maison des miroirs pocket t 15336 pdf full pdf devy ortax - Jul 02 2022

web la maison des miroirs pocket t 15336 pdf introduction la maison des miroirs pocket t 15336 pdf full pdf reading studies for guitar william leavitt 1979 guitar solo a comprehensive collection of studies for beginners

la maison des miroirs pocket t 15336 copy - Oct 05 2022

web la maison des miroirs pocket t 15336 downloaded from worldlanguagescultures coas howard edu by guest english zion guy de maupassant susquehanna university press ivy pocket est un désastre ambulante À douze ans elle croit dur comme fer être la perle des femmes de chambre d après elle rien ne résiste à ivy

la maison des miroirs pocket t 15336 format kindle amazon fr - Aug 15 2023

web en neuf romans dont l ange noir et la proie des ombres ce journaliste à l irish times a su imposer un univers noir fantastique et poétique d une grande originalité à l image d un de ses personnages clés charlie parker détective hanté par le *la maison des miroirs pocket t 15336 french edition kindle* - Jul 14 2023

web jun 13 2013 buy la maison des miroirs pocket t 15336 french edition read kindle store reviews amazon com

amazon ca commentaires en ligne la maison des miroirs pocket t - Jan 08 2023

web découvrez des commentaires utiles de client et des classements de commentaires pour la maison des miroirs pocket t 15336 french edition sur amazon fr lisez des commentaires honnêtes et non biaisés sur les produits de la part nos utilisateurs *demirkapı köyü nerede haritası torul gümüşhane* - Feb 26 2022

web demirkapı köyü haritası demirkapı köyü 40 589012 enlem ve 39 127975 boylamda yer almaktadır torul ilçesine bağlıdır demirkapı köyü haritası gümüşhane ili içinde nerede olduğu harita merkezinde gösterilmektedir demirkapı köyü posta kodu 29800 demirkapı köyü gps koordinatları 40 35 20 4432 ve 39 7 40 7100

la maison des miroirs pocket t 15336 pdf trilhoscacao - Sep 04 2022

web la maison des miroirs pocket t 15336 pdf is available in our digital library an online access to it is set as public so you can get it instantly our digital library saves in multiple locations allowing you to get the most less latency time to

all the national geographic kids readers level 2 books in - Mar 03 2022

web encourage a life long love of reading with this book about monkeys designed for ages 6 8

monkeys by anne schreiber overdrive - Dec 12 2022

web monkeys level 2 national geographic kids readers level 2 softcover schreiber anne 4 12 avg rating 95 ratings by goodreads softcover isbn 10 1426311060 isbn

[national geographic readers monkeys google books](#) - Apr 16 2023

web apr 9 2013 this comical adorable and fascinating reader documents the lives of monkeys living in the wild and includes details regarding their behavior families and

monkeys national geographic kids readers level 2 - Jan 13 2023

web may 1 2013 buy monkeys national geographic kids super readers level 2 written by anne schreiber 2013 edition publisher national geographic kids paperback by

[national geographic readers monkeys christianbook com](#) - Apr 04 2022

web national geographic readers level 2 series 40 primary works 40 total works thomas edison by barbara kramer 4 03 58 ratings 5 reviews published 2014 12 editions

monkeys national geographic kids rif org - Nov 11 2022

web national geographic kids readers monkeys national geographic kids readers level 2 by schreiber anne national geographic kids at abebooks co uk isbn 10

[monkeysnat geo reader level 2 united art education](#) - Nov 30 2021

national geographic kids readers monkeys by anne schreiber - Oct 30 2021

monkeys national geographic readers by anne schreiber - Jun 18 2023

web monkeys national geographic kids super readers level 2 schreiber anne amazon com tr

[national geographic readers monkeys kindle edition](#) - Feb 14 2023

web jan 1 2013 this comical adorable and fascinating reader documents the lives of monkeys in the wild and includes details regarding their behavior families and

elementary school english language - Sep 28 2021

amazon com national geographic kids monkeys - Feb 02 2022

web buy national geographic kids readers monkeys national geographic kids readers level 2 by anne schreiber available in used condition with free delivery in the uk

amazon com national geographic kids books level 2 - May 05 2022

web apr 9 2013 national geographic readers monkeys part of national geographic readers level 2 48 books by anne schreiber apr 9 2013 540

monkeys level 2 national geographic kids readers level 2 - Sep 09 2022

web national geographic kids readers monkeys national geographic kids readers level 2 schreiber anne national geographic kids amazon in books

monkeys national geographic kids super readers level 2 - May 17 2023

web this comical adorable and fascinating reader documents the lives of monkeys living in the wild and includes details regarding their behavior families and environment the

9781426311062 national geographic kids readers monkeys - Aug 08 2022

web paperback 535 list 5 99 free delivery mon jul 10 on 25 of items shipped by amazon more buying choices 2 25 71 used new offers ages 3 8 years other

[national geographic readers adorable animals level 2](#) - Jul 07 2022

web this level 2 national geographic reader is designed for kids who are reading independently and who are ready for longer sentences and more complex vocabulary

[monkeys national geographic kids super readers level 2](#) - Oct 10 2022

web travel around the world to meet the cutest animals on earth learn all about fennec foxes owls wombats monkeys frogs penguins wild cats and more in this wide ranging

monkeys level 2 national geographic kids readers - Aug 20 2023

web apr 9 2013 monkeys level 2 national geographic kids readers level 2 paperback 9 april 2013 this comical adorable and fascinating reader documents the lives of

national geographic kids readers monkeys national - Jun 06 2022

web national geographic kids readers monkeys this comical adorable and fascinating reader documents the lives of monkeys living in the wild and includes details more

monkeys national geographic readers series level 2 - Jul 19 2023

web national geographic readers level 2 monkeys anne schreiber 4 07 100 ratings15 reviews want to read kindle 4 99 rate this book this comical adorable and

[national geographic readers level 2 series goodreads](#) - Jan 01 2022

monkeys by anne schreiber overdrive - Mar 15 2023

web apr 9 2013 this comical adorable and fascinating reader documents the lives of monkeys living in the wild and includes

details regarding their behavior families and

rebar drawing abbreviation meaning all acronyms - Jan 10 2023

web what is rebar meaning in drawing 1 meaning of rebar abbreviation related to drawing 2 rebar reinforcing bar construction engineering architecture

rebar shop drawings abbreviations orientation sutd edu sg - Jun 03 2022

web june 19th 2018 download and read rebar shop drawings abbreviations rebar shop drawings abbreviations many people are trying to be smarter every day how s about you june 11th 2018 read and download rebar shop drawings abbreviations free ebooks in pdf format pixl club english past papers 2018 test 55 answers

rebar shop drawings abbreviations ftp orioleresources - Apr 01 2022

web rebar shop drawings abbreviations 3 3 range of materials used within the construction industry and covers the essential details of their manufacture key physical properties specification and uses understanding the basics of materials is a crucial part of undergraduat e and diploma construction or architecture related courses and this

rebar shop drawings abbreviations cyberlab sutd edu sg - Sep 06 2022

web rebar shop drawings abbreviations sketching drawing and blueprint reading oct 16 2022 structural steel drafting and design feb 20 2023 practical and easy to use this text lays a solid groundwork for beginning and intermediate students to pursue careers in architecture construction or civil engineering the text clarifies the vital

structural abbreviations archtoolbox - Aug 17 2023

web jan 16 2020 structural abbreviations design documentation construction documentation the list of abbreviations used in a set of structural drawings varies from office to office be sure to check the front section of the drawing set for the abbreviations used within asd

reading rebar drawings 101 sj construction consulting llc - Apr 13 2023

web oct 4 2022 1 in rebar drawings each bar carries its own unique mark number so in this case mk605 is a 6 bar and likely was the 5th 6 the drafter drew an mk402 would be a 4 bar the 2nd one the drafter drew on the page are there other abbreviations here s a listing of abbreviations you may see here s an example

a professional s guide for rebar detailing 2018 viskartech - Jun 15 2023

web oct 5 2018 what is the purpose of doing rebar detailing the main objectives of doing 2d rebar detailing are as follows a to prepare an error free bar bending schedule when fabricated should fit in the concrete formwork without any issue the same bar bending schedule will be used for accounting and invoicing

reinforced concrete terminology crsi concrete reinforcing - Sep 18 2023

web lift units of reinforcing bars tied together for shop or field convenience lifts are classified in two categories 1 shop lifts

and 2 field lifts shop lifts are units of reinforcing bars loaded for shipment to the jobsite field lifts are units of reinforcing bars required for field handling by the contractor

ebook rebar shop drawings abbreviations - Oct 07 2022

web presents abbreviations and signs for use in text abbreviations for associations and societies unions and degrees letter symbols abbreviations and signs used in drawings graphic symbols and color

rebar shop drawings abbreviations cyberlab sutd.edu.sg - Jul 04 2022

web rebar shop drawings abbreviations landscape architectural graphic standards jun 06 2020 the new student edition of the definitive reference on landscape architecture landscape architectural graphic standards student edition is a condensed treatment of the authoritative landscape architectural graphic standards professional edition

rebar shop drawings abbreviations confrencemeet.com - Aug 05 2022

web 2 rebar shop drawings abbreviations 2022 06 14 covering all major aspects of building design and construction relating to fire and life safety and structural safety the provisions of the 1997 uniform building code were published in three volumes to help building inspectors plans examiners architects and structural designers locate

rebar shop drawings importance of understanding labor - May 14 2023

web apr 2 2021 rebar shop drawings importance of understanding labor force kamil cabuk published apr 2 2021 follow this is a very important subject most detailers don't pay enough attention to the

shop drawings pjs rebar - Nov 08 2022

web while other fabricators use foreign detailers to reduce costs outsourced help pjs uses only in house detailers and project managers giving you the control quality and responsiveness needed to get your job done on time and within your budget 2023 pjs rebar 45055 fremont blvd fremont ca 94538 phone 800 347 7141 fax 510 490

how to read structural drawings the structural world - Dec 09 2022

web aug 20 2022 abbreviations c c center to center s s l structural slab level f f l floor finish level g l gate level nts no to scale specs specification u n o unless noted otherwise e j expansion joint sche schedule t o c top of concrete rft renf reinforcement typ typical thk thickness 2 general structural notes sheet

concrete rebar shop drawings structural engineering general - Jul 16 2023

web sep 30 2014 dhenger acronyms are not the issue here and no need to extrapolate my use of ca in the thread to my drawings i do not use abbreviations on my drawings unless they are defined on the drawings my specs specifically require rebar shop drawings to indicate bar cover among all else

rebar detailing rebar drawings - Mar 12 2023

web preparing the reinforcement drawings is an important task in the rebar detailing process reinforcement drawings are

execution drawings that represent the reinforcing bars rebar to be laid in the concrete they are a means of communication between the

[understanding rebar shop drawings youtube](#) - Feb 11 2023

web dec 8 2019 [understanding rebar shop drawings from masonry plans](#)

[rebar shop drawings abbreviations dotnbm com](#) - Feb 28 2022

web 4 rebar shop drawings abbreviations 2019 12 20 materials components and systems subjected to routine and extreme loads with an emphasis on response to earthquake loading design methods both at a basic level as required by current building codes and at an advanced level needed for special problems such as seismic performance

understanding rebar shop drawings a guide for construction - Oct 19 2023

web apr 10 2023 rebar shop drawings are important since the quality of rebar installation determines how strong and long lasting a structure will be everything you need to know about rebar shop drawings from their description to their significance in the building process will be covered in this guide

what made rebar detailing services and rebar drawings so - May 02 2022

web mar 16 2021 the rebar shop drawings can be submitted in many formats like dwg pdf asa dwf etc tekla rebar 3d models rebar detailers are able to convert the 2d sketches and drawings into 3d models which are better in many aspects it helps the contractors and workers to visualize the whole rebar structure well in advance