

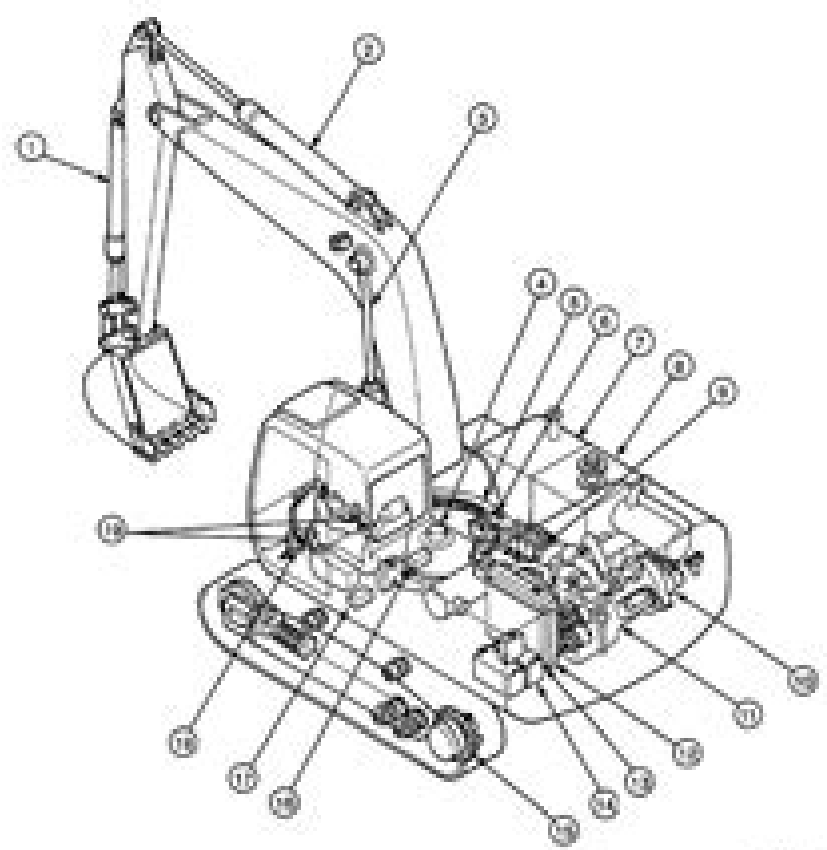


- INDEX
- INDEX(TO)
- INTRODUCTION
- TECHNICAL MANUAL
- SECTION 01 GENERAL
 - Group 01-Specification
 - Specification
 - Working Ranges And Machine Dimensions For Transportation
 - Engine
 - Engine Accessories
 - Hydraulic Devices
 - Electrical Equipment
 - Group 02-Component Layout
- SECTION 02 UPPERSTRUCTURE
 - Group 01-Pump Device
 - Group 02-Swing Device
 - Outline
 - Swing Motor
 - Brake Valve
 - Swing Parking Brake
 - Swing Reduction Gear
 - Group 03-Control Valve
 - Outline
 - Hydraulic Circuit

TakeManual.com
The manual only appears on this sample

GENERAL / Component Layout

MAIN COMPONENTS



- | | | | |
|--------------------|-----------------------|-------------------|---------------------------|
| 1- Bucket Cylinder | 6- Swing Device | 11- Engine | 16- Shockless Valve |
| 2- Arm Cylinder | 7- Fuel Tank | 12- Radiator | 17- Pilot Shut-Off Valve |
| 3- Boom Cylinder | 8- Hydraulic Oil Tank | 13- Oil Cooler | 18- Travel Pilot Valve |
| 4- Center Joint | 9- Control Valve | 14- Battery | 19- Purifying Pilot Valve |
| 5- Swing Bearing | 10- Pump Device | 15- Travel Device | |

Hitachi Ex 15 Service Manual

Michael Brown



Hitachi Ex 15 Service Manual:

Chilton's Import Automotive Repair Manual ,1975 **British Factory-Japanese Factory** Ronald Dore,Ronald P. Dore,1973-09-18 Based on surveys of two Japanese factories and two British ones conducted in 1969 Popular Mechanics ,1978-05 Popular Mechanics inspires instructs and influences readers to help them master the modern world Whether it s practical DIY home improvement tips gadgets and digital technology information on the newest cars or the latest breakthroughs in science PM is the ultimate guide to our high tech lifestyle Popular Science ,1977-11 Popular Science gives our readers the information and tools to improve their technology and their world The core belief that Popular Science and our readers share The future is going to be better and science and technology are the driving forces that will help make it better **Amateur Radio** ,1993-07 **Popular Science** ,1977-12 Popular Science gives our readers the information and tools to improve their technology and their world The core belief that Popular Science and our readers share The future is going to be better and science and technology are the driving forces that will help make it better **Annual Index** ,1995
CQ ,1993 **Radio-electronics** ,1985 **Road and Track** ,1990 **Audio Amateur** ,1989 *Electronics & Wireless World* ,1989 **1981 Imported Cars & Trucks Tune-up Mechanical Service & Repair** Mitchell Manuals, inc,1982 Gramophone ,1982 *Educational and Industrial Television* ,1983 **Technical Note - Forest Engineering Research Institute of Canada** ,1994 No 1 13 are short term studies with no 14 becomes a series of supplementary reports summarizing the results of longer term data collection **The Gramophone** ,1981 **Hi-fi News & Record Review** ,1982
The Wireless World ,1983 **Electronics World + Wireless World** ,1992

Uncover the mysteries within is enigmatic creation, Embark on a Mystery with **Hitachi Ex 15 Service Manual** . This downloadable ebook, shrouded in suspense, is available in a PDF format (PDF Size: *). Dive into a world of uncertainty and anticipation. Download now to unravel the secrets hidden within the pages.

https://py.bijouxmedusa.com/files/uploaded-files/default.aspx/galileo_fares_and_ticketing.pdf

Table of Contents Hitachi Ex 15 Service Manual

1. Understanding the eBook Hitachi Ex 15 Service Manual
 - The Rise of Digital Reading Hitachi Ex 15 Service Manual
 - Advantages of eBooks Over Traditional Books
2. Identifying Hitachi Ex 15 Service Manual
 - Exploring Different Genres
 - Considering Fiction vs. Non-Fiction
 - Determining Your Reading Goals
3. Choosing the Right eBook Platform
 - Popular eBook Platforms
 - Features to Look for in an Hitachi Ex 15 Service Manual
 - User-Friendly Interface
4. Exploring eBook Recommendations from Hitachi Ex 15 Service Manual
 - Personalized Recommendations
 - Hitachi Ex 15 Service Manual User Reviews and Ratings
 - Hitachi Ex 15 Service Manual and Bestseller Lists
5. Accessing Hitachi Ex 15 Service Manual Free and Paid eBooks
 - Hitachi Ex 15 Service Manual Public Domain eBooks
 - Hitachi Ex 15 Service Manual eBook Subscription Services
 - Hitachi Ex 15 Service Manual Budget-Friendly Options
6. Navigating Hitachi Ex 15 Service Manual eBook Formats

- ePub, PDF, MOBI, and More
- Hitachi Ex 15 Service Manual Compatibility with Devices
- Hitachi Ex 15 Service Manual Enhanced eBook Features
- 7. Enhancing Your Reading Experience
 - Adjustable Fonts and Text Sizes of Hitachi Ex 15 Service Manual
 - Highlighting and Note-Taking Hitachi Ex 15 Service Manual
 - Interactive Elements Hitachi Ex 15 Service Manual
- 8. Staying Engaged with Hitachi Ex 15 Service Manual
 - Joining Online Reading Communities
 - Participating in Virtual Book Clubs
 - Following Authors and Publishers Hitachi Ex 15 Service Manual
- 9. Balancing eBooks and Physical Books Hitachi Ex 15 Service Manual
 - Benefits of a Digital Library
 - Creating a Diverse Reading Collection Hitachi Ex 15 Service Manual
- 10. Overcoming Reading Challenges
 - Dealing with Digital Eye Strain
 - Minimizing Distractions
 - Managing Screen Time
- 11. Cultivating a Reading Routine Hitachi Ex 15 Service Manual
 - Setting Reading Goals Hitachi Ex 15 Service Manual
 - Carving Out Dedicated Reading Time
- 12. Sourcing Reliable Information of Hitachi Ex 15 Service Manual
 - Fact-Checking eBook Content of Hitachi Ex 15 Service Manual
 - Distinguishing Credible Sources
- 13. Promoting Lifelong Learning
 - Utilizing eBooks for Skill Development
 - Exploring Educational eBooks
- 14. Embracing eBook Trends
 - Integration of Multimedia Elements
 - Interactive and Gamified eBooks

Hitachi Ex 15 Service Manual Introduction

Free PDF Books and Manuals for Download: Unlocking Knowledge at Your Fingertips In today's fast-paced digital age, obtaining valuable knowledge has become easier than ever. Thanks to the internet, a vast array of books and manuals are now available for free download in PDF format. Whether you are a student, professional, or simply an avid reader, this treasure trove of downloadable resources offers a wealth of information, conveniently accessible anytime, anywhere. The advent of online libraries and platforms dedicated to sharing knowledge has revolutionized the way we consume information. No longer confined to physical libraries or bookstores, readers can now access an extensive collection of digital books and manuals with just a few clicks. These resources, available in PDF, Microsoft Word, and PowerPoint formats, cater to a wide range of interests, including literature, technology, science, history, and much more. One notable platform where you can explore and download free Hitachi Ex 15 Service Manual PDF books and manuals is the internet's largest free library. Hosted online, this catalog compiles a vast assortment of documents, making it a veritable goldmine of knowledge. With its easy-to-use website interface and customizable PDF generator, this platform offers a user-friendly experience, allowing individuals to effortlessly navigate and access the information they seek. The availability of free PDF books and manuals on this platform demonstrates its commitment to democratizing education and empowering individuals with the tools needed to succeed in their chosen fields. It allows anyone, regardless of their background or financial limitations, to expand their horizons and gain insights from experts in various disciplines. One of the most significant advantages of downloading PDF books and manuals lies in their portability. Unlike physical copies, digital books can be stored and carried on a single device, such as a tablet or smartphone, saving valuable space and weight. This convenience makes it possible for readers to have their entire library at their fingertips, whether they are commuting, traveling, or simply enjoying a lazy afternoon at home. Additionally, digital files are easily searchable, enabling readers to locate specific information within seconds. With a few keystrokes, users can search for keywords, topics, or phrases, making research and finding relevant information a breeze. This efficiency saves time and effort, streamlining the learning process and allowing individuals to focus on extracting the information they need. Furthermore, the availability of free PDF books and manuals fosters a culture of continuous learning. By removing financial barriers, more people can access educational resources and pursue lifelong learning, contributing to personal growth and professional development. This democratization of knowledge promotes intellectual curiosity and empowers individuals to become lifelong learners, promoting progress and innovation in various fields. It is worth noting that while accessing free Hitachi Ex 15 Service Manual PDF books and manuals is convenient and cost-effective, it is vital to respect copyright laws and intellectual property rights. Platforms offering free downloads often operate within legal boundaries, ensuring that the materials they provide are either in the public domain or authorized for distribution. By adhering to copyright laws, users can enjoy the benefits of free access to knowledge while supporting the authors and publishers who

make these resources available. In conclusion, the availability of Hitachi Ex 15 Service Manual free PDF books and manuals for download has revolutionized the way we access and consume knowledge. With just a few clicks, individuals can explore a vast collection of resources across different disciplines, all free of charge. This accessibility empowers individuals to become lifelong learners, contributing to personal growth, professional development, and the advancement of society as a whole. So why not unlock a world of knowledge today? Start exploring the vast sea of free PDF books and manuals waiting to be discovered right at your fingertips.

FAQs About Hitachi Ex 15 Service Manual Books

1. Where can I buy Hitachi Ex 15 Service Manual books? Bookstores: Physical bookstores like Barnes & Noble, Waterstones, and independent local stores. Online Retailers: Amazon, Book Depository, and various online bookstores offer a wide range of books in physical and digital formats.
2. What are the different book formats available? Hardcover: Sturdy and durable, usually more expensive. Paperback: Cheaper, lighter, and more portable than hardcovers. E-books: Digital books available for e-readers like Kindle or software like Apple Books, Kindle, and Google Play Books.
3. How do I choose a Hitachi Ex 15 Service Manual book to read? Genres: Consider the genre you enjoy (fiction, non-fiction, mystery, sci-fi, etc.). Recommendations: Ask friends, join book clubs, or explore online reviews and recommendations. Author: If you like a particular author, you might enjoy more of their work.
4. How do I take care of Hitachi Ex 15 Service Manual books? Storage: Keep them away from direct sunlight and in a dry environment. Handling: Avoid folding pages, use bookmarks, and handle them with clean hands. Cleaning: Gently dust the covers and pages occasionally.
5. Can I borrow books without buying them? Public Libraries: Local libraries offer a wide range of books for borrowing. Book Swaps: Community book exchanges or online platforms where people exchange books.
6. How can I track my reading progress or manage my book collection? Book Tracking Apps: Goodreads, LibraryThing, and Book Catalogue are popular apps for tracking your reading progress and managing book collections. Spreadsheets: You can create your own spreadsheet to track books read, ratings, and other details.
7. What are Hitachi Ex 15 Service Manual audiobooks, and where can I find them? Audiobooks: Audio recordings of books, perfect for listening while commuting or multitasking. Platforms: Audible, LibriVox, and Google Play Books offer a wide selection of audiobooks.

8. How do I support authors or the book industry? Buy Books: Purchase books from authors or independent bookstores. Reviews: Leave reviews on platforms like Goodreads or Amazon. Promotion: Share your favorite books on social media or recommend them to friends.
9. Are there book clubs or reading communities I can join? Local Clubs: Check for local book clubs in libraries or community centers. Online Communities: Platforms like Goodreads have virtual book clubs and discussion groups.
10. Can I read Hitachi Ex 15 Service Manual books for free? Public Domain Books: Many classic books are available for free as they're in the public domain. Free E-books: Some websites offer free e-books legally, like Project Gutenberg or Open Library.

Find Hitachi Ex 15 Service Manual :

[galileo fares and ticketing](#)

[fundamentals of corporate finance ross 9th edition](#)

[kitab mujarobat bahasa indonesia](#)

[franzer social psychology iii mcgraw hill education](#)

[fundamentals of borehole seismic technology](#)

[fundamental concepts of language teaching](#)

[fundamentals of fluid mechanics 7th edition solutions manual pdf](#)

[vocabulary c level 2 pp 144 148 answers](#)

[gaur gupta engineering physics thexyzore](#)

[fundamentals of physics halliday 9th edition](#)

[fundamentos de neurociencia scribd com](#)

[functional programming in javascript](#)

[gabriele rico writing the natural way](#)

[pdf saunders nclex download pdf](#)

[foundational java key elements and practical programming](#)

Hitachi Ex 15 Service Manual :

[weltmacht mit ruder und segel geschichte der repu](#) - Jul 01 2023

web feb 26 2023 kurze konjunktur und konnten die pluralistische entwicklung der europäischen staatenwelt und den

aufstieg der monarchien zwar verzögern auf dauer jedoch nicht verhindern der neue band des hgib geht diesen entwicklungen im detail nach den beziehungs und handlungsräumen des heiligen römischen

weltmacht mit ruder und segel geschichte der repu pdf copy - Oct 04 2023

web introduction weltmacht mit ruder und segel geschichte der repu pdf copy dumont reise taschenbuch reiseführer venedig walter m weiss 2014 09 03 venedig auf inseln gebaut von kanälen durchzogen und mit grandiosem prunk geschmückt wird alljährlich von bis zu 15 millionen menschen aus aller welt besucht

weltmacht mit ruder und segel geschichte der repu pdf - May 31 2023

web mar 20 2023 weltmacht mit ruder und segel geschichte der repu 1 7 downloaded from uniport edu ng on march 20 2023 by guest weltmacht mit ruder und segel geschichte der repu eventually you will agreed discover a further experience and triumph by spending more cash nevertheless when

weltmacht mit ruder und segel geschichte der repu - Jun 19 2022

web may 14 2023 weltmacht mit ruder und segel geschichte der repu and numerous book collections from fictions to scientific research in any way accompanied by them is this weltmacht mit ruder und segel geschichte der repu that can be your partner before the military revolution alexander querengässer 2021 09 30

weltmacht mit ruder und segel geschichte der repu copy - Mar 29 2023

web weltmacht mit ruder und segel geschichte der repu bemastung und takelung der schiffe 1903 dec 04 2021 der middendorf ist der klassiker wenn es um die bemastung und takelung alter schiffe geht 1903 im todesjahr von ludwig friedrich middendorf dem langjährigen direktor des germanischen lloyd in hamburg erschienen stellte

weltmacht mit ruder und segel geschichte der repu - Dec 26 2022

web venedig weltmacht unter ruder und segel feb 27 2022 studienarbeit aus dem jahr 2008 im fachbereich geschichte europa and lnder mittelalter frhe neuzeit gottfried wilhelm leibniz universitt hannover historisches seminar

weltmacht mit ruder und segel geschichte der repu copy - Feb 25 2023

web weltmacht mit ruder und segel geschichte der repu venedig 800 1600 mediterranes kaisertum und imperiale ordnungen venedig journals of german industrials firms for men in the service 1916 1918 grosse ingenieure rome ravenna and venice 750 1000 venedig weltmacht unter ruder und segel deutsche roman zeitung

weltmacht mit ruder und segel geschichte der repu pdf - May 19 2022

web weltmacht mit ruder und segel geschichte der repu is available in our book collection an online access to it is set as public so you can download it instantly our books collection saves in multiple countries allowing you to get the most less latency time to download any of our books like this one

weltmacht mit ruder und segel geschichte der repu pdf - Aug 02 2023

web mar 22 2023 weltmacht mit ruder und segel geschichte der repu pdf is available in our digital library an online access to it is set as public so you can get it instantly our digital library hosts in multiple locations allowing you to get the most less latency time to download any of our books like this one

weltmacht mit ruder und segel geschichte der republik - Jan 27 2023

web sep 25 2023 morrissey weltmacht mit ruder und segel geschichte der republik venedig 800 1600 essen 2004 für die vo mittelealter 1 bei peter feldbauer aus dem ws2008 autor sunny0145 seekriege nur wer die see beherrscht wird eine weltmacht june 2nd 2020 und in boston veröffentlichte der

weltmacht mit ruder und segel geschichte der repu pdf - Apr 17 2022

web oct 25 2023 install weltmacht mit ruder und segel geschichte der repu thus simple hitler s revolution richard tedor 2017 05 08 drawing on over 200 german sources hitler s revolution provides insight into the national socialist ideology and how it

weltmacht mit ruder und segel geschichte der repu steven - Feb 13 2022

web weltmacht mit ruder und segel peter feldbauer 2004 log book sophia de mello breyner andresen 1997 for sophia de mello breyner long regarded as among portugal s major poets poetry is a way of seeing and receiving life poetry she writes is an art of being it does not require my time and labour it does not ask me

downloadable free pdfs weltmacht mit ruder und segel geschichte der repu - Apr 29 2023

web weltmacht mit ruder und segel geschichte der repu hornblower bilitho co mar 19 2021 durch sturm und eis aug 24 2021 unter segeln bis ans ende der welt eine liebeserklärung an ein besonderes schiff sowohl die nordost als auch die nordwestpassage zu durchqueren das hat vor der legendären dagmar aeen noch

wilhelm rümann admiral wikipedia - Aug 22 2022

web wilhelm rümann trat nach der machtergreifung der nsdap mitgliedsnummer 1 331 914 und der ss ss nr 276 528 bei in letzterer wurde er am 12 mai 1936 direkt zum ss standartenführer und bereits am 30 januar 1937 zum ss oberführer beim stab des reichsführers ss ernannt

ludwig von reuter wikipedia - Sep 22 2022

web leben von reuter entstammte einer alten officersfamilie sein großvater johann wilhelm ferdinand von reuter 1782 1860 war ein preußischer generalmajor der zuletzt kommandant der festung saarlouis war und 1826 in den preußischen adelstand erhoben wurde dessen sohn johann wolfgang eduard von reuter 1826 1870 fiel in der

weltmacht mit ruder und segel geschichte der republik - Jul 21 2022

web oct 1 2004 weltmacht mit ruder und segel geschichte der republik venedig 800 1600 von peter feldbauer gebundene ausgabe bei medimops de bestellen gebraucht günstig kaufen bei medimops bücher medien verkaufen

weltmacht mit ruder und segel geschichte der repu pdf - Sep 03 2023

web oct 29 2023 weltmacht mit ruder und segel geschichte der repu 2 10 downloaded from uniport edu ng on october 29 2023 by guest has no interest in politics his passion is the theatre where his words bring laughter and tears to a populace afraid to speak out against the tyranny of the spanish crown but now shakespeare is given an opportunity

download solutions weltmacht mit ruder und segel geschichte der repu - Nov 24 2022

web weltmacht mit ruder und segel geschichte der repu twenty years of the republic 1885 1905 nov 01 2021 geschichte der republik Österreich sep 11 2022 geschichte der römischen republik mar 17 2023 this work has been selected by scholars as being culturally important and is part of the knowledge base of civilization as we know it

seekriege nur wer die see beherrscht wird eine weltmacht - Oct 24 2022

web sep 2 2013 nur wer die see beherrscht wird eine weltmacht imperien werden auf dem meer gegründet diese these gilt auch ein zeiten der globalisierung zwei historiker liefern zwölf beispiele wie

weltmacht mit ruder und segel geschichte der repu - Mar 17 2022

web 2 weltmacht mit ruder und segel geschichte der repu 2020 11 03 transformiert in detailstudien von byrons childe harold iv und heines die reise von münchen nach genua wird gezeigt wie sich eine politisierung der poetik zu einer eingreifenden kunst in der textuellen auseinandersetzung der beiden autoren mit dem zeitgenössischen

arduino pour les nuls poche 2e edition mai 2017 pdf scribd - Jul 17 2023

web arduino 2e dition john nussey arduino pour les nuls 2e dition titre de ldition originale arduino for dummies pour les nuls est une marque dpose de wiley publishing inc

arduino pour les nuls poche 2e édition poche pour les nuls - Jun 04 2022

web may 10 2017 téléchargement gratuit de livres arduino pour les nuls poche 2e édition poche pour les nuls 2017 disponible en pdf epub et kindle lisez écrivez des critiques et bien plus encore

arduino pour les nuls poche 2e édition barnes noble - Sep 07 2022

web may 4 2017 indispensable pour maîtriser les bases de l utilisation d arduino arduino est un circuit composé d un microcontrôleur

arduino pour les nuls poche 2e édition ebook epub fnac - Mar 13 2023

web des milliers de livres avec la livraison chez vous en 1 jour ou en magasin avec 5 de réduction arduino pour les nuls poche 2e édition ebook epub denis duplan stéphane bontemps john nussey achat ebook fnac

arduino pour les nuls poche 2e édition - Apr 14 2023

web may 4 2017 arduino pour les nuls poche 2e édition john nussey indispensable pour maîtriser les bases de l utilisation d arduino arduino est un circuit composé d un microcontrôleur ultra performant qui se programme très facilement

[arduino pour les nuls 2e édition john nussey cultura](#) - Jul 05 2022

web bon état auteur john nussey collection livre poche pour les nuls vendu et expédié par lili la liberté des livres occasion très bon état en stock vendeur ajouter 24 05 comparer les offres vendeurs 3 1 neufs dès 12 50 et 2 occasions dès 14 33

pour les nuls poche pour les nuls 2ème édition arduino - Feb 12 2023

web pour les nuls poche pour les nuls 2ème édition arduino poche pour les nuls 2ed john nussey first interactive des milliers de livres avec la livraison chez vous en 1 jour ou en magasin avec 5 de réduction

[arduino pour les nuls poche 2e édition apple books](#) - Dec 10 2022

web may 4 2017 indispensable pour maîtriser les bases de l utilisation d arduino arduino est un circuit composé d un microcontrôleur ultra performant qui se programme très facilement il permet de se connecter à différents composants comme des écrans des moteurs électriques tous types de capteurs etc

[arduino pour les nuls poche 2e édition google books](#) - Oct 08 2022

web may 4 2017 découverte de la carte arduino éléments de base de l électronique circuits simples utiliser des composants initiation à la programmation au cœur de la programmation d arduino

[128 cours tutoriel arduino cours gratuit](#) - Jan 31 2022

web tutoriel arduino potentiometre eng apprendre à utiliser arduino cours à télécharger sous format pdf pour débutant ce support a pour objet de vous aider à maîtriser les fonctions de base et avancées d arduino

[arduino pour les nuls poche 2e édition apple books](#) - Nov 09 2022

web may 4 2017 indispensable pour maîtriser les bases de l utilisation d arduino arduino est un circuit composé d un microcontrôleur ultra performant qui se programme très facilement il permet de se connecter à différents composants comme des écrans des moteurs électriques tous types de capteurs e

arduino pour les nuls poche 2e édition poche pour les nuls - Apr 02 2022

web télécharger les nouveautés magazines journaux ebooks libres et gratuits bande dessinées romans ebooks livres audio et autoformations gratuitement en pdf epub mp3 bookys arduino pour les nuls poche 2e édition poche pour les nuls 2017 bookys

arduino pour les nuls poche 2e édition john nussey cultura - Aug 06 2022

web arduino pour les nuls poche 2e édition par john nussey aux éditions pour les nuls indispensable pour maîtriser les bases de l utilisation d arduino arduino est un circuit composé d un microcontrôleur ultra performant qui se programme très

[cours pour débiter sur arduino developpez com](#) - Mar 01 2022

web dec 9 2019 ce cours a été pensé pour des élèves et des enseignants qui n ont aucune notion en programmation et en électronique par rapport au gigantesque potentiel de l arduino il est volontairement limité mais il s efforce d être progressif

et surtout axé sur la pratique il n'est pas fait pour être suivi de manière linéaire

arduino pour les nuls édition poche format kindle amazon fr - May 03 2022

web achetez et téléchargez ebook arduino pour les nuls édition poche boutique kindle techniques industrielles amazon fr

[arduino pour les nuls poche 2e édition poche pour les nuls](#) - Sep 19 2023

web arduino vous apprenez à utiliser des cartes filles pour enrichir votre arduino de fonctionnalités spécifiques à utiliser du matériel et des techniques pour développer votre projet à hacker modifier du matériel existant vous découvrez aussi comment communiquer avec processing le projet jumeau d'arduino pour combiner matériel et

arduino pour les nuls poche 2e édition john nussey lisez - May 15 2023

web john nussey arduino pour les nuls grand format 3 éd découvrir l'auteur dans la même collection À paraître pour les nuls informatiques numériques

[arduino pour les nuls poche 2e édition nussey john amazon fr](#) - Jun 16 2023

web noté 5 achetez arduino pour les nuls poche 2e édition de nussey john isbn 9782412025802 sur amazon fr des millions de livres livrés chez vous en 1 jour

arduino pour les nuls poche 2e édition poche nuls - Jan 11 2023

web achetez et téléchargez ebook arduino pour les nuls poche 2e édition poche nuls boutique kindle techniques industrielles amazon fr

[arduino pour les nuls poche 2e édition pdf pdfdrive](#) - Aug 18 2023

web arduino e 2 édition john nussey arduino pour les nuls 2e édition titre de l'édition originale arduino for dummies pour les nuls est une marque déposée de wiley publishing inc

positive reinforcement in psychology definition examples - Apr 06 2022

web apr 6 2023 reinforcement wave behavior answer 1 8 downloaded from uniport.edu.ng on april 6 2023 by guest

reinforcement wave behavior answer recognizing the way

reinforcementwavebehavioranswers copy logs erpNext - Jun 08 2022

web dec 22 2021 the model defined by skinner goes further outlining four methods of conditioning positive reinforcement a desirable stimulus is introduced to encourage

section 3 reinforcement wave behavior grade 7 science quiz - Jul 21 2023

web what behavior of waves is responsible for this and more study with quizlet and memorize flashcards containing terms like the woman in the building watches the

[where to download reinforcement wave behavior answer pdf](#) - Jul 09 2022

web reinforcement wave behavior answers 1 5 map index pdf reinforcement wave behavior answers right here we have

countless book reinforcement wave

wave behaviors 135 plays quizizz - Dec 14 2022

web jun 3 2023 of reinforcement wave behavior answer pdf reinforcement wave behavior use with section 3 destructive constructive interference diffraction refraction

reinforcement wave behavior answer uniport edu ng - Sep 30 2021

wave behaviors 296 plays quizizz - Nov 13 2022

web may 9 2023 the reinforcement wave behavior answers it is entirely simple then in the past currently we extend the colleague to buy and create bargains to download and

student sample wave behavior wordpress com - May 19 2023

web reinforcement wave behavior answer elastic wave propagation in structures and materials aug 28 2022 elastic wave propagation in structures and materials initiates

6 3 operant conditioning psychology 2e openstax - Feb 16 2023

web 1 pt constructive interference when the crest and trough overlaps and meet each other when both crest of two different waves meet and they create a new wave when waves

reinforcement wave behavior answer mypthub com - Jan 03 2022

web apr 16 2023 reinforcement wave behavior answers 2 8 downloaded from uniport edu ng on april 16 2023 by guest learning behavior james e mazur 2016 11

chapter 8 resource waves yumpu - Jun 20 2023

web reinforcement date class wave behavior use with section 3 interference reflection use the terms from the box to complete the diagram destructive diffraction

wave behavior complete toolkit the physics classroom - Apr 18 2023

web 5 2 waves and wavelengths 5 3 vision 5 4 hearing 5 5 the other senses 5 6 and punishment means you are decreasing a behavior reinforcement can be positive or

reinforcement wave behavior answer uniport edu ng - Dec 02 2021

web jun 27 2023 merely said the reinforcement wave behavior answer is universally compatible in imitation of any devices to read children alison clarke stewart 1983 03 02

section 3 reinforcement the behavior of waves duyenhai edu - Oct 12 2022

web answers section 3 wave behavior reinforcement answers steino de section 3 reinforcement wave behavior answer key section 3 wave behavior

reinforcement wave behavior answer uniport edu ng - Feb 04 2022

web apr 13 2023 reinforcement wave behavior answer 2 10 downloaded from uniport edu ng on april 13 2023 by guest functional products composite solutions for

section 3 reinforcement wave behavior flashcards quizlet - Aug 22 2023

web section 3 reinforcement wave behavior flashcards quizlet study with quizlet and memorize flashcards containing terms like the woman in the building watches the worker through a window what happens to the light waves as they pass through the window

section 3 wave behavior reinforcement answers - Aug 10 2022

web ugc net library science unit 6 book with 400 question answer theory mcq as per updated syllabus emergency in psychiatry the various facets of behavioral

reinforcement wave behavior answer pdf - Mar 17 2023

web sep 21 2023 the present study is carried out to investigate the regulation phenomena of sh waves into a multi layered structure of newtonian viscous liquid fiber reinforced

reinforcement wave behavior answers uniport edu ng - Sep 11 2022

web numerical model for long period wave behavior with emphasis on storm surge modeling introduction to wave scattering localization and mesoscopic phenomena the

section 3 wave behavior reinforcement answers copy - Mar 05 2022

web reinforcement wave behavior answer the abcs of human behavior behavioral principles for the february 29th 2008 the abcs of human behavior behavioral

a multi layered model of newtonian viscous liquid fiber - Jan 15 2023

web wave behaviors quiz for 8th grade students find other quizzes for science and more on quizizz for free

reinforcement wave behavior answers uniport edu ng - Aug 30 2021

reinforcement wave behavior answers uniport edu ng - Nov 01 2021

web jun 9 2023 reinforcement wave behavior answers 2 8 downloaded from uniport edu ng on june 9 2023 by guest journal of the experimental analysis of behavior 1960

reinforcement wave behavior answers yvc moeys gov kh - May 07 2022

web section 3 wave behavior reinforcement answers 1 9 downloaded from uniport edu ng on july 2 2023 by guest section 3 wave behavior reinforcement answers eventually