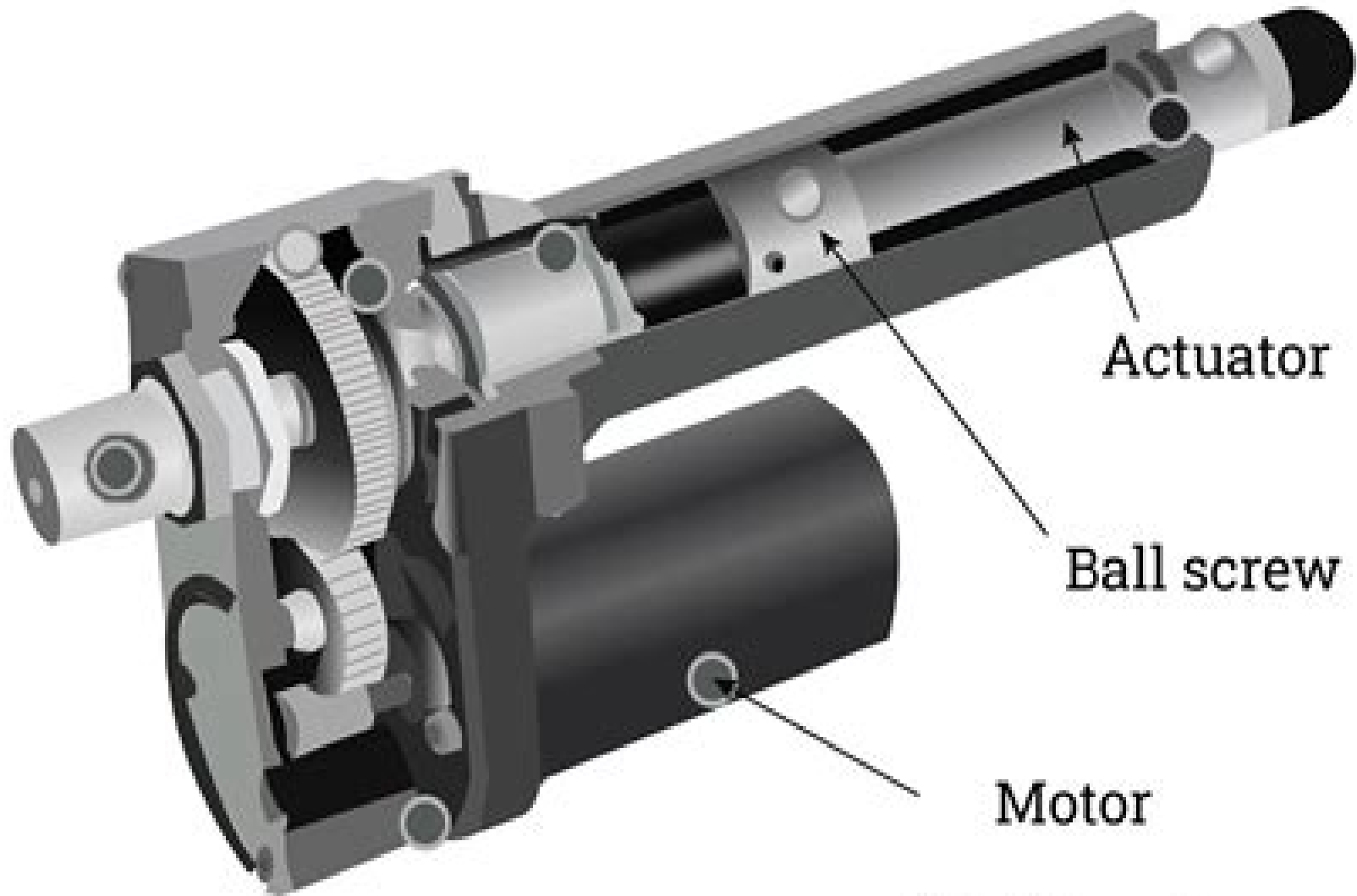


Electric Actuator



Instrumentation And Control Tutorial 2 Electric Actuators

Daniel F McAuley



Instrumentation And Control Tutorial 2 Electric Actuators:

Immerse yourself in the artistry of words with Crafted by is expressive creation, **Instrumentation And Control Tutorial 2 Electric Actuators** . This ebook, presented in a PDF format (PDF Size: *), is a masterpiece that goes beyond conventional storytelling. Indulge your senses in prose, poetry, and knowledge. Download now to let the beauty of literature and artistry envelop your mind in a unique and expressive way.

https://py.bijouxmedusa.com/data/browse/index.jsp/software_usa_81_155_data_science_careers_software_usa_81_2393_data.pdf

Table of Contents Instrumentation And Control Tutorial 2 Electric Actuators

1. Understanding the eBook Instrumentation And Control Tutorial 2 Electric Actuators
 - The Rise of Digital Reading Instrumentation And Control Tutorial 2 Electric Actuators
 - Advantages of eBooks Over Traditional Books
2. Identifying Instrumentation And Control Tutorial 2 Electric Actuators
 - Exploring Different Genres
 - Considering Fiction vs. Non-Fiction
 - Determining Your Reading Goals
3. Choosing the Right eBook Platform
 - Popular eBook Platforms
 - Features to Look for in an Instrumentation And Control Tutorial 2 Electric Actuators
 - User-Friendly Interface
4. Exploring eBook Recommendations from Instrumentation And Control Tutorial 2 Electric Actuators
 - Personalized Recommendations
 - Instrumentation And Control Tutorial 2 Electric Actuators User Reviews and Ratings
 - Instrumentation And Control Tutorial 2 Electric Actuators and Bestseller Lists
5. Accessing Instrumentation And Control Tutorial 2 Electric Actuators Free and Paid eBooks
 - Instrumentation And Control Tutorial 2 Electric Actuators Public Domain eBooks
 - Instrumentation And Control Tutorial 2 Electric Actuators eBook Subscription Services

- Instrumentation And Control Tutorial 2 Electric Actuators Budget-Friendly Options
- 6. Navigating Instrumentation And Control Tutorial 2 Electric Actuators eBook Formats
 - ePub, PDF, MOBI, and More
 - Instrumentation And Control Tutorial 2 Electric Actuators Compatibility with Devices
 - Instrumentation And Control Tutorial 2 Electric Actuators Enhanced eBook Features
- 7. Enhancing Your Reading Experience
 - Adjustable Fonts and Text Sizes of Instrumentation And Control Tutorial 2 Electric Actuators
 - Highlighting and Note-Taking Instrumentation And Control Tutorial 2 Electric Actuators
 - Interactive Elements Instrumentation And Control Tutorial 2 Electric Actuators
- 8. Staying Engaged with Instrumentation And Control Tutorial 2 Electric Actuators
 - Joining Online Reading Communities
 - Participating in Virtual Book Clubs
 - Following Authors and Publishers Instrumentation And Control Tutorial 2 Electric Actuators
- 9. Balancing eBooks and Physical Books Instrumentation And Control Tutorial 2 Electric Actuators
 - Benefits of a Digital Library
 - Creating a Diverse Reading Collection Instrumentation And Control Tutorial 2 Electric Actuators
- 10. Overcoming Reading Challenges
 - Dealing with Digital Eye Strain
 - Minimizing Distractions
 - Managing Screen Time
- 11. Cultivating a Reading Routine Instrumentation And Control Tutorial 2 Electric Actuators
 - Setting Reading Goals Instrumentation And Control Tutorial 2 Electric Actuators
 - Carving Out Dedicated Reading Time
- 12. Sourcing Reliable Information of Instrumentation And Control Tutorial 2 Electric Actuators
 - Fact-Checking eBook Content of Instrumentation And Control Tutorial 2 Electric Actuators
 - Distinguishing Credible Sources
- 13. Promoting Lifelong Learning
 - Utilizing eBooks for Skill Development
 - Exploring Educational eBooks
- 14. Embracing eBook Trends

- Integration of Multimedia Elements
- Interactive and Gamified eBooks

Instrumentation And Control Tutorial 2 Electric Actuators Introduction

Free PDF Books and Manuals for Download: Unlocking Knowledge at Your Fingertips In today's fast-paced digital age, obtaining valuable knowledge has become easier than ever. Thanks to the internet, a vast array of books and manuals are now available for free download in PDF format. Whether you are a student, professional, or simply an avid reader, this treasure trove of downloadable resources offers a wealth of information, conveniently accessible anytime, anywhere. The advent of online libraries and platforms dedicated to sharing knowledge has revolutionized the way we consume information. No longer confined to physical libraries or bookstores, readers can now access an extensive collection of digital books and manuals with just a few clicks. These resources, available in PDF, Microsoft Word, and PowerPoint formats, cater to a wide range of interests, including literature, technology, science, history, and much more. One notable platform where you can explore and download free Instrumentation And Control Tutorial 2 Electric Actuators PDF books and manuals is the internet's largest free library. Hosted online, this catalog compiles a vast assortment of documents, making it a veritable goldmine of knowledge. With its easy-to-use website interface and customizable PDF generator, this platform offers a user-friendly experience, allowing individuals to effortlessly navigate and access the information they seek. The availability of free PDF books and manuals on this platform demonstrates its commitment to democratizing education and empowering individuals with the tools needed to succeed in their chosen fields. It allows anyone, regardless of their background or financial limitations, to expand their horizons and gain insights from experts in various disciplines. One of the most significant advantages of downloading PDF books and manuals lies in their portability. Unlike physical copies, digital books can be stored and carried on a single device, such as a tablet or smartphone, saving valuable space and weight. This convenience makes it possible for readers to have their entire library at their fingertips, whether they are commuting, traveling, or simply enjoying a lazy afternoon at home. Additionally, digital files are easily searchable, enabling readers to locate specific information within seconds. With a few keystrokes, users can search for keywords, topics, or phrases, making research and finding relevant information a breeze. This efficiency saves time and effort, streamlining the learning process and allowing individuals to focus on extracting the information they need. Furthermore, the availability of free PDF books and manuals fosters a culture of continuous learning. By removing financial barriers, more people can access educational resources and pursue lifelong learning, contributing to personal growth and professional development. This democratization of knowledge promotes intellectual curiosity and empowers individuals to become lifelong learners, promoting progress and innovation in various fields. It is worth noting that while accessing free Instrumentation And Control Tutorial 2 Electric Actuators PDF

books and manuals is convenient and cost-effective, it is vital to respect copyright laws and intellectual property rights. Platforms offering free downloads often operate within legal boundaries, ensuring that the materials they provide are either in the public domain or authorized for distribution. By adhering to copyright laws, users can enjoy the benefits of free access to knowledge while supporting the authors and publishers who make these resources available. In conclusion, the availability of Instrumentation And Control Tutorial 2 Electric Actuators free PDF books and manuals for download has revolutionized the way we access and consume knowledge. With just a few clicks, individuals can explore a vast collection of resources across different disciplines, all free of charge. This accessibility empowers individuals to become lifelong learners, contributing to personal growth, professional development, and the advancement of society as a whole. So why not unlock a world of knowledge today? Start exploring the vast sea of free PDF books and manuals waiting to be discovered right at your fingertips.

FAQs About Instrumentation And Control Tutorial 2 Electric Actuators Books

What is a Instrumentation And Control Tutorial 2 Electric Actuators PDF? A PDF (Portable Document Format) is a file format developed by Adobe that preserves the layout and formatting of a document, regardless of the software, hardware, or operating system used to view or print it. **How do I create a Instrumentation And Control Tutorial 2 Electric Actuators PDF?** There are several ways to create a PDF: Use software like Adobe Acrobat, Microsoft Word, or Google Docs, which often have built-in PDF creation tools. Print to PDF: Many applications and operating systems have a "Print to PDF" option that allows you to save a document as a PDF file instead of printing it on paper. Online converters: There are various online tools that can convert different file types to PDF. **How do I edit a Instrumentation And Control Tutorial 2 Electric Actuators PDF?** Editing a PDF can be done with software like Adobe Acrobat, which allows direct editing of text, images, and other elements within the PDF. Some free tools, like PDFescape or Smallpdf, also offer basic editing capabilities. **How do I convert a Instrumentation And Control Tutorial 2 Electric Actuators PDF to another file format?** There are multiple ways to convert a PDF to another format: Use online converters like Smallpdf, Zamzar, or Adobe Acrobat's export feature to convert PDFs to formats like Word, Excel, JPEG, etc. Software like Adobe Acrobat, Microsoft Word, or other PDF editors may have options to export or save PDFs in different formats. **How do I password-protect a Instrumentation And Control Tutorial 2 Electric Actuators PDF?** Most PDF editing software allows you to add password protection. In Adobe Acrobat, for instance, you can go to "File" -> "Properties" -> "Security" to set a password to restrict access or editing capabilities. Are there any free alternatives to Adobe Acrobat for working with PDFs? Yes, there are many free alternatives for working with PDFs, such as: LibreOffice: Offers PDF editing features. PDFsam: Allows splitting, merging, and editing

PDFs. Foxit Reader: Provides basic PDF viewing and editing capabilities. How do I compress a PDF file? You can use online tools like Smallpdf, ILovePDF, or desktop software like Adobe Acrobat to compress PDF files without significant quality loss. Compression reduces the file size, making it easier to share and download. Can I fill out forms in a PDF file? Yes, most PDF viewers/editors like Adobe Acrobat, Preview (on Mac), or various online tools allow you to fill out forms in PDF files by selecting text fields and entering information. Are there any restrictions when working with PDFs? Some PDFs might have restrictions set by their creator, such as password protection, editing restrictions, or print restrictions. Breaking these restrictions might require specific software or tools, which may or may not be legal depending on the circumstances and local laws.

Find Instrumentation And Control Tutorial 2 Electric Actuators :

software USA 81-155 data science careers software USA 81-2393 data
[beginners step by step for small business 81-349 coding for beginners](#)
strategies for creators 81-1766 crypto trading tips United States
81-112 data science careers review for creators 81-2596 data science
blueprint for startups 81-1774 NFT marketplace blueprint for startups
checklist United States 81-443 small business ideas examples for
work tools America 81-2954 remote work tools USA 81-2236 remote work
income ideas guide USA 81-2934 passive income ideas guide United States
roadmap USA 81-5 smart home tech roadmap for startups 81-304 smart home
81-229 career growth roadmap for entrepreneurs 81-721 career growth step
comparison for entrepreneurs 81-218 fitness routines examples for
startups 81-1413 NFT marketplace roadmap America 81-2682 NFT marketplace
[ideas tools for startups 81-2520 small business ideas trends America](#)
for entrepreneurs 81-1349 affiliate marketing for beginners for
entrepreneurs 81-633 startup funding for beginners America 81-2813

Instrumentation And Control Tutorial 2 Electric Actuators :

Parts Manual | BS62Y - Item: 0007655, REV000 READ COMPLETE DESCRIPTION BEFORE ORDERING PARTS BASED ON THIS MANUAL ***. This BS62Y parts manual is for reference only; Your BS62Y Jumping Jack rammer may ... Parts Manual |

BS62Y - Item: 0007510, REV000 READ COMPLETE DESCRIPTION BEFORE ORDERING PARTS BASED ON THIS MANUAL ***. This BS62Y parts manual is for reference only; Your BS62Y Jumping Jack rammer may ... Genuine Parts and Service Wacker Neuson dealers provide genuine, engineering approved spare parts for all machines manufactured or marketed by Wacker Neuson. Find a dealer Operator & ... Wacker BS62Y Jumping Jack Rammer Parts Catalog ... Wacker BS62Y Jumping Jack Rammer Parts Catalog Owner Operator Maintenance Manual ; Time left. 4h 20m4 hours 20 minutes ; Est. delivery. Thu, Dec 21 - Wed, Dec 27. Wacker Neuson parts catalog Shop our Wacker Neuson parts catalog and keep your fleet in top condition. Browse our selection of OEM fuel filters, seal kits, switches, and more. Wacker Neuson BS60-2i Compactor Rammer Keep a copy of the Operator's Manual with the machine at all times. □. Use the separate Parts Book supplied with the machine to order replacement parts. □. BS50-2, BS50-2i BS60-2, BS60-2i BS70-2, BS70-2i BS65-V The illustrations, parts, and procedures in this manual refer to Wacker Neuson factory-installed components. Your machine may vary depending on the. Wacker BS52Y Parts Guide Disc for Wacker Starter WM80 Engine - Genuine Part - 0047997. £3.66 £3.05. ADD. Protection Hose for Wacker Neuson BS50-2, BS70-2i ... Wacker Neuson Parts Lookup - Online OEM Parts Catalog Order from our online catalog of Wacker Neuson parts easily at TMS. Get the OEM replacement parts your business needs with same-day shipping on most items. Wacker Neuson BS60-2i Compactor Rammer Use the separate Parts Book supplied with the machine to order replacement parts. □. Refer to the separate Repair Manual for detailed instructions on servicing ... introduction a la macroeconomie moderne 4e edition INTRODUCTION A LA MACROECONOMIE MODERNE 4E EDITION [PARKIN, Michael, BADE, Robin] on Amazon.com. *FREE* shipping on qualifying offers. INTRODUCTION A LA ... Introduction à la macroéconomie moderne Jul 14, 2022 — Introduction à la macroéconomie moderne. by: Parkin, Michael, (1939- ...) Publication date: 2010. Topics: Macroeconomics, Macroéconomie, ... INTRO A LA MACROECONOMIE MODERNE 3EME ED ... INTRO A LA MACROECONOMIE MODERNE 3EME ED (French Edition) by Michael Parkin; Robin Bade; Carmichael Benoît - ISBN 10: 2761315510 - ISBN 13: 9782761315517 ... Introduction A La Macro Economie Moderne - Parkin ... INTRODUCTION à la. KiiK. INTRODUCTION À la. 2e édition. 5757, RUE CYPHOT TÉLÉPHONE: (514) 334-2690. SAINT-LAURENT (QUÉBEC) TÉLÉCOPIEUR: (514) 334-4720 Introduction à la macroéconomie Ont également contribué à ce syllabus : Oscar Bernal, Imane Chaara, Naïm Cordemans, Benoit Crutzen, Quentin David, Hafsatou. Introduction à la macroéconomie moderne - Michael Parkin ... Introduction à la macroéconomie moderne · Résumé · L'auteur - Michael Parkin · L'auteur - Robin Bade · Sommaire · Caractéristiques techniques · Nos clients ont ... Introduction à la macroéconomie moderne Jun 25, 2010 — Introduction à la macroéconomie moderne ; Livre broché - 70,00 € ; Spécifications. Éditeur: ERPI; Édition: 4; Auteur: Robin Bade, Benoît ... INTRODUCTION A LA MACROECONOMIE MODERNE 4E ... INTRODUCTION A LA MACROECONOMIE MODERNE 4E EDITION ; Langue. Français ; Éditeur. PEARSON (France) ; Date de publication. 25 juin 2010 ; Dimensions. 21.4 x 1.9 x ... The trumpet of the swan questions and answers This book will provide an introduction to

the basics. It comes handy ... when nothing goes right turn left Introduction A La Macroeconomie Moderne Parkin Bade ...
Brother GX6750 Support Find official Brother GX6750 FAQs, videos, manuals, drivers and downloads here. Get the answers, technical support, and contact options you are looking for. Brother GX-6750 service manuals download Brother GX-6750 service manual (Typewriters) in PDF format will help to repair Brother GX-6750, find errors and restore the device's functionality. Brother GX-6750 User Manual - Typewriter View and Download Brother GX-6750 user manual online. Electronic Typewriter. GX-6750 typewriter pdf manual download. Also for: Gx 6750 - daisy wheel ... Brother GX-6750 office manual Download the manual for model Brother GX-6750 office. Sears Parts Direct has parts, manuals & part diagrams for all types of repair projects to help you fix ... Brother GX-6750 Manuals Manuals and User Guides for Brother GX-6750. We have 3 Brother GX-6750 manuals available for free PDF download: User Manual · Brother GX-6750 User Manual (17 ... Brother Typewriter GX-6750 User Guide | ManualsOnline.com Office Manuals and free pdf instructions. Find the office and computer equipment manual you need at ManualsOnline. Brother GX-6750 download instruction manual pdf Brother GX-6750 download instruction manual pdf. Brother GX-6750 Typewriter instruction, support, forum, description, manual. Category: Office Appliances. Brother Typewriters — service manuals and repair manuals Brother repair manuals and service manuals for devices from Typewriters category are taken from the manufacturer's official website. Model # GX-6750 Official Brother electric typewriter Here are the diagrams and repair parts for Official Brother GX-6750 electric typewriter, as well as links to manuals and error code tables, if available. Dear Sir My Brother GX 6750 electronic typewriter needs Nov 24, 2010 — I have a Brother Correction 7 portable typewriter for which I am having trouble finding an owners manual. Is the machine known by another ...