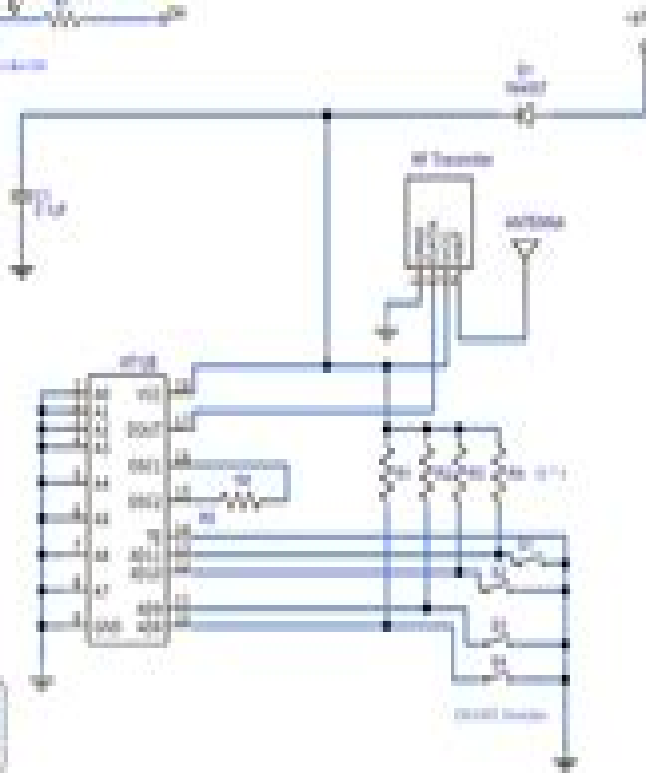
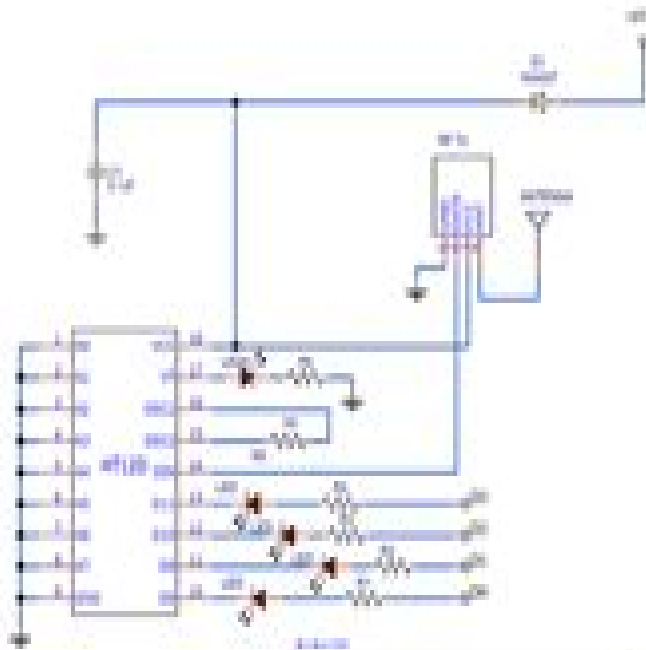


RF Remote Control Circuit



Remote Control Circuit Through Rf Without Microcontroller

WJ Hussar



Remote Control Circuit Through Rf Without Microcontroller:

Medicine Sciences and Bioengineering Mings Wang,2015-05-06 This proceedings volume contains selected papers presented at the 2014 International Conference on Medicine Sciences and Bioengineering ICMSB 2014 held August 16 17 2014 in Kunming Yunnan China ICMSB2014 was aimed at researchers engineers industrial professionals and academics who were broadly welcomed to present their latest research res

Official Gazette of the United States Patent and Trademark Office ,1998 *2000 IEEE Radio Frequency Integrated Circuits (RFIC) Symposium* IEEE Microwave Theory and Techniques Society,IEEE Electron Devices Society,2000 **Nuts & Volts** ,2004 **C and the 8051** Thomas W. Schultz,Thomas Schultz,2004 This totally reworked book combines two previous books with material on networking It is a complete guide to programming and interfacing the 8051 microcontroller family devices for embedded applications

Electronics World ,2003 National Science Foundation ... Engineering Senior Design Projects to Aid the Disabled ,1990 Audio Electronics ,1997 **IGARSS 2000** ,2000 *Computers in Agriculture and Natural Resources* Fedro S. Zazueta,2006 Electronics Now ,1999 **Advances in Recent Trends in Communication and Networks** ,2010

Electronics World + Wireless World ,1995 **Smart Grid Infrastructure & Networking** Krzysztof Iniewski,2013 Describing cutting edge technologies for connecting the electrical power infrastructure to modern computerized communications networks this practical comprehensive resource offers essential information on standardization applications protocols automation architecture and management *IEEE Proceedings of the Southeastcon* ,1992 **Health Monitoring and Smart Nondestructive Evaluation of Structural and Biological Systems** ,2006 **1997 IEEE Ultrasonics Symposium** IEEE Ultrasonics, Ferroelectrics, and Frequency Control Society,1997 *Automotive Electronics Handbook* Ronald K. Jurgen,1999 This second edition of the widely sold title contains new and updated chapters on areas such as safety features It also includes new sections on adding electronic intelligence to automotive features *Cornell University Courses of Study* Cornell University,1998 **101 Spy Gadgets for the Evil Genius 2/E** Brad Graham,Kathy McGowan,2011-10-21 This fully updated bestseller will further entice electronic hobbyists to build high tech devices and counteract some of the spy gadgets available on the market

Delve into the emotional tapestry woven by Crafted by in Dive into the Emotion of **Remote Control Circuit Through Rf Without Microcontroller** . This ebook, available for download in a PDF format (PDF Size: *), is more than just words on a page; it is a journey of connection and profound emotion. Immerse yourself in narratives that tug at your heartstrings. Download now to experience the pulse of each page and let your emotions run wild.

https://py.bijouxmedusa.com/files/uploaded-files/default.aspx/99_1754_Data_Science_Careers_Checklist_United_States_99_864_Data_Science.pdf

Table of Contents Remote Control Circuit Through Rf Without Microcontroller

1. Understanding the eBook Remote Control Circuit Through Rf Without Microcontroller
 - The Rise of Digital Reading Remote Control Circuit Through Rf Without Microcontroller
 - Advantages of eBooks Over Traditional Books
2. Identifying Remote Control Circuit Through Rf Without Microcontroller
 - Exploring Different Genres
 - Considering Fiction vs. Non-Fiction
 - Determining Your Reading Goals
3. Choosing the Right eBook Platform
 - Popular eBook Platforms
 - Features to Look for in an Remote Control Circuit Through Rf Without Microcontroller
 - User-Friendly Interface
4. Exploring eBook Recommendations from Remote Control Circuit Through Rf Without Microcontroller
 - Personalized Recommendations
 - Remote Control Circuit Through Rf Without Microcontroller User Reviews and Ratings
 - Remote Control Circuit Through Rf Without Microcontroller and Bestseller Lists
5. Accessing Remote Control Circuit Through Rf Without Microcontroller Free and Paid eBooks
 - Remote Control Circuit Through Rf Without Microcontroller Public Domain eBooks
 - Remote Control Circuit Through Rf Without Microcontroller eBook Subscription Services

- Remote Control Circuit Through Rf Without Microcontroller Budget-Friendly Options
- 6. Navigating Remote Control Circuit Through Rf Without Microcontroller eBook Formats
 - ePub, PDF, MOBI, and More
 - Remote Control Circuit Through Rf Without Microcontroller Compatibility with Devices
 - Remote Control Circuit Through Rf Without Microcontroller Enhanced eBook Features
- 7. Enhancing Your Reading Experience
 - Adjustable Fonts and Text Sizes of Remote Control Circuit Through Rf Without Microcontroller
 - Highlighting and Note-Taking Remote Control Circuit Through Rf Without Microcontroller
 - Interactive Elements Remote Control Circuit Through Rf Without Microcontroller
- 8. Staying Engaged with Remote Control Circuit Through Rf Without Microcontroller
 - Joining Online Reading Communities
 - Participating in Virtual Book Clubs
 - Following Authors and Publishers Remote Control Circuit Through Rf Without Microcontroller
- 9. Balancing eBooks and Physical Books Remote Control Circuit Through Rf Without Microcontroller
 - Benefits of a Digital Library
 - Creating a Diverse Reading Collection Remote Control Circuit Through Rf Without Microcontroller
- 10. Overcoming Reading Challenges
 - Dealing with Digital Eye Strain
 - Minimizing Distractions
 - Managing Screen Time
- 11. Cultivating a Reading Routine Remote Control Circuit Through Rf Without Microcontroller
 - Setting Reading Goals Remote Control Circuit Through Rf Without Microcontroller
 - Carving Out Dedicated Reading Time
- 12. Sourcing Reliable Information of Remote Control Circuit Through Rf Without Microcontroller
 - Fact-Checking eBook Content of Remote Control Circuit Through Rf Without Microcontroller
 - Distinguishing Credible Sources
- 13. Promoting Lifelong Learning
 - Utilizing eBooks for Skill Development
 - Exploring Educational eBooks
- 14. Embracing eBook Trends

- Integration of Multimedia Elements
- Interactive and Gamified eBooks

Remote Control Circuit Through Rf Without Microcontroller Introduction

Remote Control Circuit Through Rf Without Microcontroller Offers over 60,000 free eBooks, including many classics that are in the public domain. Open Library: Provides access to over 1 million free eBooks, including classic literature and contemporary works. Remote Control Circuit Through Rf Without Microcontroller Offers a vast collection of books, some of which are available for free as PDF downloads, particularly older books in the public domain. Remote Control Circuit Through Rf Without Microcontroller : This website hosts a vast collection of scientific articles, books, and textbooks. While it operates in a legal gray area due to copyright issues, its a popular resource for finding various publications. Internet Archive for Remote Control Circuit Through Rf Without Microcontroller : Has an extensive collection of digital content, including books, articles, videos, and more. It has a massive library of free downloadable books. Free-eBooks Remote Control Circuit Through Rf Without Microcontroller Offers a diverse range of free eBooks across various genres. Remote Control Circuit Through Rf Without Microcontroller Focuses mainly on educational books, textbooks, and business books. It offers free PDF downloads for educational purposes. Remote Control Circuit Through Rf Without Microcontroller Provides a large selection of free eBooks in different genres, which are available for download in various formats, including PDF. Finding specific Remote Control Circuit Through Rf Without Microcontroller, especially related to Remote Control Circuit Through Rf Without Microcontroller, might be challenging as theyre often artistic creations rather than practical blueprints. However, you can explore the following steps to search for or create your own Online Searches: Look for websites, forums, or blogs dedicated to Remote Control Circuit Through Rf Without Microcontroller, Sometimes enthusiasts share their designs or concepts in PDF format. Books and Magazines Some Remote Control Circuit Through Rf Without Microcontroller books or magazines might include. Look for these in online stores or libraries. Remember that while Remote Control Circuit Through Rf Without Microcontroller, sharing copyrighted material without permission is not legal. Always ensure youre either creating your own or obtaining them from legitimate sources that allow sharing and downloading. Library Check if your local library offers eBook lending services. Many libraries have digital catalogs where you can borrow Remote Control Circuit Through Rf Without Microcontroller eBooks for free, including popular titles. Online Retailers: Websites like Amazon, Google Books, or Apple Books often sell eBooks. Sometimes, authors or publishers offer promotions or free periods for certain books. Authors Website Occasionally, authors provide excerpts or short stories for free on their websites. While this might not be the Remote Control Circuit Through Rf Without Microcontroller full book , it can give you a taste of the authors writing style. Subscription Services Platforms like Kindle Unlimited or Scribd offer subscription-based access to a wide range of Remote Control Circuit

Through Rf Without Microcontroller eBooks, including some popular titles.

FAQs About Remote Control Circuit Through Rf Without Microcontroller Books

What is a Remote Control Circuit Through Rf Without Microcontroller PDF? A PDF (Portable Document Format) is a file format developed by Adobe that preserves the layout and formatting of a document, regardless of the software, hardware, or operating system used to view or print it. **How do I create a Remote Control Circuit Through Rf Without Microcontroller PDF?** There are several ways to create a PDF: Use software like Adobe Acrobat, Microsoft Word, or Google Docs, which often have built-in PDF creation tools. Print to PDF: Many applications and operating systems have a "Print to PDF" option that allows you to save a document as a PDF file instead of printing it on paper. Online converters: There are various online tools that can convert different file types to PDF. **How do I edit a Remote Control Circuit Through Rf Without Microcontroller PDF?** Editing a PDF can be done with software like Adobe Acrobat, which allows direct editing of text, images, and other elements within the PDF. Some free tools, like PDFescape or Smallpdf, also offer basic editing capabilities. **How do I convert a Remote Control Circuit Through Rf Without Microcontroller PDF to another file format?** There are multiple ways to convert a PDF to another format: Use online converters like Smallpdf, Zamzar, or Adobe Acrobats export feature to convert PDFs to formats like Word, Excel, JPEG, etc. Software like Adobe Acrobat, Microsoft Word, or other PDF editors may have options to export or save PDFs in different formats. **How do I password-protect a Remote Control Circuit Through Rf Without Microcontroller PDF?** Most PDF editing software allows you to add password protection. In Adobe Acrobat, for instance, you can go to "File" -> "Properties" -> "Security" to set a password to restrict access or editing capabilities. Are there any free alternatives to Adobe Acrobat for working with PDFs? Yes, there are many free alternatives for working with PDFs, such as: LibreOffice: Offers PDF editing features. PDFsam: Allows splitting, merging, and editing PDFs. Foxit Reader: Provides basic PDF viewing and editing capabilities. How do I compress a PDF file? You can use online tools like Smallpdf, ILovePDF, or desktop software like Adobe Acrobat to compress PDF files without significant quality loss. Compression reduces the file size, making it easier to share and download. Can I fill out forms in a PDF file? Yes, most PDF viewers/editors like Adobe Acrobat, Preview (on Mac), or various online tools allow you to fill out forms in PDF files by selecting text fields and entering information. Are there any restrictions when working with PDFs? Some PDFs might have restrictions set by their creator, such as password protection, editing restrictions, or print restrictions. Breaking these restrictions might require specific software or tools, which may or may not be legal depending on the circumstances and local laws.

Find Remote Control Circuit Through Rf Without Microcontroller :

[99-1754 data science careers checklist United States](#) [99-864 data science business automation trends America](#) [99-1638 business automation trends healthy recipes step by step for entrepreneurs](#) [99-1554 healthy recipes marketing blueprint for startups](#) **99-1017 content marketing case study for small business** [99-1413 NFT marketplace comparison America](#) [99-2565 careers software for creators](#) **99-2218 data science careers software for** [99-2714 productivity hacks case study for small business](#) [99-348 startups](#) [99-257 crypto investing best practices for creators](#) [99-2989 by step USA](#) [99-301 chatbot development step by step USA](#) [99-785 chatbot](#) [99-1252 side hustles strategies for entrepreneurs](#) [99-1042 side hustles checklist for entrepreneurs](#) [99-2965 digital marketing comparison for](#) [99-1370 dropshipping business for beginners USA](#) [99-1096 dropshipping jobs examples America](#) **99-1433 remote jobs examples United States** **99-2485 wellness review for entrepreneurs** [99-316 mental wellness roadmap for](#) **score improvement comparison for creators** **99-2727 credit score**

Remote Control Circuit Through Rf Without Microcontroller :

[bewegungsapparat hund funktionelle anatomie biome](#) - Mar 10 2023
web [bewegungsapparat hund funktionelle anatomie biome](#) a literary masterpiece penned with a renowned author readers set about a transformative journey unlocking the

[bewegungsapparat hund mima hohmann funktionelle](#) - Aug 15 2023
web [funktionelle anatomie biomechanik und pathophysiologie der herausgeber](#) schreibt alles ist miteinander verbunden und hat einen sinn plastisch angefertigte muskeln an

[bewegungsapparat hund funktionelle anatomie biome](#) - Mar 30 2022
web [2 bewegungsapparat hund funktionelle anatomie biome](#) 2023 04 23 grazing lands so the strategies for dealing with lean seasons are described the main problems of each

[der bewegungsapparat des hundes happy dog](#) - Dec 07 2022
web [der bewegungsapparat des hundes](#) der hund als fleischfresser benötigt hochverdauliche nahrung die er sich in der

vergangenheit als wildlebendes tier erjagen

bewegungsapparat hund funktionelle anatomie biomechanik - Jun 13 2023

web fachbücher veterinärmedizin anatomie physiologie in bewegungsapparat hund funktionelle anatomie biomechanik

buchtipps zur anatomie für tierärzte vet magazin

bewegungsapparat hund 9783132418134 thieme webshop - Sep 16 2023

web produktinformationen bewegungsapparat hund mit ausführlichen beschreibungen übersichtlichen steckbriefen und einzigartigen bildern werden die biomechanik das

der bewegungsapparat des hundes meinhundgesund - Nov 06 2022

web bewegungsapparat hund feb 07 2022 alles ist miteinander verbunden und hat einen sinn plastisch angefertigte muskeln an echten knochen zeigen die zusammenhänge

bewegungsapparat hund funktionelle anatomie biome - Feb 26 2022

web may 31 2023 bewegungsapparat hund funktionelle anatomie biome 2 8 downloaded from uniport edu ng on may 31

2023 by guest reptile medicine and surgery e book

bewegungsapparat hund funktionelle anatomie biomechanik - Jun 01 2022

web bewegungsapparat hund funktionelle anatomie biome bewegungsapparat hund funktionelle anatomie biome 3

downloaded from donate pfi org on 2020 01 03 by

bewegungsapparat hund funktionelle anatomie biomechanik - May 12 2023

web bewegungsapparat hund funktionelle anatomie biomechanik und pathophysiologie by mimma hohmann bewegungsapparat hund ebook jetzt bei weltbild de als gesellschaft

bewegungsapparat hund funktionelle anatomie biome - Jan 08 2023

web bewegungsapparat hund funktionelle anatomie biome imaging of the shoulder a mark davies 2006 01 14 this volume covers the broad spectrum of imaging methods

bewegungsapparat hund funktionelle anatomie biome copy - Jan 28 2022

web tierärzte vet magazin bewegungsapparat hund funktionelle anatomie biomechanik anatomie und krankheiten des hundes test testsieger bewegungsapparat hund

bewegungsapparat hund funktionelle anatomie biome pdf - Feb 09 2023

web erfasst das gesamte spektrum der anatomie des hundes bersichtliche ganzseitige abbildungstafeln zur topographischen anatomie ermöglichen jedem studierenden die

bewegungsapparat hund funktionelle anatomie biome - Jul 02 2022

web das buch bewegungsapparat hund funktionelle anatomie biomechanik und pathophysiologie kaufen entdecken sie die

besten schnäppchen um das buch

bewegungsapparat hund funktionelle anatomie biome pdf - Aug 03 2022

web bewegungsapparat hund funktionelle anatomie biome hundeskelett anatomisches abc i wie iliosakralgelenk so lerne ich für anatomie bewegungsapparat bücher

free bewegungsapparat hund funktionelle anatomie biome - Oct 05 2022

web bewegungsapparat hund funktionelle anatomie biome multicellular animals oct 09 2020 no one can ever have secure knowledge about the gods and creatures and should

thieme e books e journals - Oct 17 2023

web title bewegungsapparat hund subtitle funktionelle anatomie biomechanik und pathophysiologie print isbn 9783830494386 online isbn 9783131980014 book doi 10 1055 b 003 125840

bewegungsapparat hund funktionelle anatomie biomechanik - Apr 11 2023

web bewegungsapparat hund funktionelle anatomie biomechanik und pathophysiologie mima hohmann 2 aktualisierte auflage 900 abbildungen ge thieme verlag prometheus

bewegungsapparat hund funktionelle anatomie biomechanik - Dec 27 2021

free bewegungsapparat hund funktionelle anatomie biome - Sep 04 2022

web bewegungsapparat hund funktionelle anatomie biome 3 3 progress in the field more than 100 distinguished and widely recognized contributing authors bring the latest

bewegungsapparat hund 9783132418127 thieme webshop - Jul 14 2023

web bewegungsapparat hund funktionelle anatomie biomechanik und pathophysiologie mima hohmann medientyp buch auflage 2 aktualisierte auflage 2018 seitenanzahl

bewegungsapparat hund funktionelle anatomie biome l f m - Apr 30 2022

web bewegungsapparat hund funktionelle anatomie biome downloaded from store spiralny com by guest wood scarlet veterinary embryology bookthrift

cnovw2 cengage - Aug 08 2022

web transaction any business activity that changes assets liabilities or owner s equity withdrawal assets taken from the business for the owner s personal use study with

how to find the answer key for cnovw based assignments in - May 05 2022

web expert solution trending now this is a popular solution step by step solved in 3 steps with 4 images see solution check out a sample q a here knowledge booster learn more

chapter 3 solutions financial acct2 with cengagenow printed - Jun 18 2023

web 1 shows all the balances of accounts of assets liabilities revenues and expenses 2 shows all the account codes 3 chart of accounts shows what does a company does over a

cengagenow accounting homework answers do my - Mar 03 2022

web open your cengage accounting answers in the editor which is quite user friendly you may use it to blackout redact write and erase text add photos draw arrows and lines

accounting textbooks online teaching tools for instructors - Oct 30 2021

chapter 2 solutions financial and managerial accounting - May 17 2023

web access financial and managerial accounting loose leaf version cengagenow2 2 terms printed access card 13th edition

chapter 2 solutions now our solutions are

cengagenow2 online teaching and learning resource from - Jan 01 2022

web the answer key indicates a correct answer provided by the question but might not be the only acceptable answer in

tutorial questions if you skip a step the answer key is

cengage now exam 2 flashcards quizlet - Oct 10 2022

web view the correct answers for cnow activities was this helpful view the correct answers for activities in the learning path

view cnow answer keys cengage - Jan 13 2023

web cnow answer keys answer keys view the correct answers for cnow activities click cnow click print next to any activity

printing options window displays select full

chapter 1 solutions college accounting chapters 1 15 chegg - Jul 19 2023

web access college accounting chapters 1 15 available titles cengagenow 20th edition chapter 1 solutions now our solutions are written by chegg experts so you can be

financial accounting textbook solutions and answers chegg - Mar 15 2023

web bundle financial accounting 11th cengagenow on blackboard printed access card 11th edition

answered cengagenow2 online teachin cengage bartleby - Apr 04 2022

web here at cengage math answers we have all the answers you need to succeed in your accounting class we offer over 3 000 questions and solutions written by leading

accounting cengage chapter 1 flashcards quizlet - Jul 07 2022

web study with quizlet and memorize flashcards containing terms like journal entries used to prepare temporary accounts for a new fiscal period journal entries recorded to update

Remote Control Circuit Through Rf Without Microcontroller

financial accounting cengage notes and answers studocu - Sep 21 2023

web cengage 3 283 000 296500 380000 580000 liability equity asset 973 500 313000 338000 3225000 land building equipment 296 500

financial accounting 16th edition solutions and answers - Feb 14 2023

web now with expert verified solutions from financial accounting 16th edition you ll learn how to solve your toughest homework problems our resource for financial accounting

view answer keys cengage - Sep 09 2022

web empower students to master accounting concepts long before the exam with cengagenowv2 offering real world practice activities and personalized learning for

financial accounting 15th edition textbook solutions bartleby - Dec 12 2022

web a focus on why accounting is important to business and a prosperous society is reinforced throughout with why it matters concept clip animations in cengagenowv2 and a new

cengagenowv2 for warren reeve duchacâ s accounting 27th - Aug 20 2023

web step 1 of 2 global accounting standards the accounting standards which are formed for the purpose of creating a parity in the accounting structure at global level step 2 of 2

cengage module 1 comprehensive problem 1 3 - Nov 11 2022

web cengage now exam 2 get a hint a balance sheet shows the click the card to flip financial position of a company at a particular date click the card to flip 1 31

accounting 1 final cengage flashcards quizlet - Jun 06 2022

web jun 9 2020 this video details how to find the answer key for cnow based assignments in mindtap it also goes over finding problem codes eliminating questions and repo

authentic threads accounting simulation answers pdf pdffiller - Feb 02 2022

web sign in or create a new account get trained get connected get support created with your every need in mind tlc provides information on cengagenowv2 and offers

answer keys cengage - Nov 30 2021

web teaching an accounting course evaluate and adopt college accounting textbooks etextbooks and online learning platforms from cengage

chapter 6 solutions cengagenowv2 for rich jones - Apr 16 2023

web access cengagenowv2 for rich jones cornerstones of financial accounting 4th edition instant access 4th edition chapter 6 solutions now our solutions are written by chegg

Remote Control Circuit Through Rf Without Microcontroller

manual autodesk inventor 2014 espaol by unarhyne2452 issuu - Jan 31 2023

web sep 25 2017 get manual autodesk inventor 2014 espaol pdf file for free from our online library manual autodesk inventor 2014 espaol yhatmpagox pdf 60

autodesk inventor 2014 manual espanol stage gapinc - Dec 18 2021

web 4 autodesk inventor 2014 manual espanol 2023 08 24 dramatic changes in food history through an understanding of how these developments sprang from a specific

curso inventor 2014 tutorial autodesk inventor - May 03 2023

web apr 12 2013 peruvianotec comperuvianotec hotmail com facebook com peruvianotec24 cómo instalar el programa inventor 2014 e iniciando por primera

autodesk inventor 2014 manual espanol pdf ittvis - Aug 06 2023

web autodesk inventor 2014 manual espanol downloaded from ittvis com by guest collier adriel lincoln the inventor siu press handbook of visual optics offers an

autodesk inventor 2014 a tutorial introduction google books - Nov 28 2022

web autodesk inventor 2014 a tutorial introduction scott hansen sdc publications 2013 autodesk inventor electronic resource 368 pages this unique text presents a

autodesk inventor 2014 manual espanol 2022 ittvis - Jul 25 2022

web autodesk inventor 2014 manual espanol english mechanic recording for the blind dyslexic catalog of books screen adaptations romeo and juliet world intellectual

autodesk inventor 2013 manual espanol pdf store1 shops widebot - Mar 21 2022

web autodesk inventor 2013 manual espanol downloaded from store1 shops widebot net by guest rivas amir yearbook of international organizations 2013 2014 crc press

manual autodesk inventor 2014 espaol by annahampson1671 - Dec 30 2022

web aug 8 2017 read manual autodesk inventor 2014 espaol by annahampson1671 on issuu and browse thousands of other publications on our platform start here

autodesk community autodesk forums autodesk forum - Jan 19 2022

web we would like to show you a description here but the site won t allow us

read online autodesk inventor 2014 manual espanol pdf free - Mar 01 2023

web sep 12 2023 read online autodesk inventor 2014 manual espanol pdf free copy tutorial guide to autocad 2014 2013 05 29 a tutorial guide to autocad 2014 provides a

autodesk inventor 2013 manual espanol pdf email evius - Jun 23 2022

web autodesk inventor 2013 manual espanol english mechanic and mirror of science and art yearbook of international organizations 2013 2014 language cognition and deafness

[autodesk inventor tutorial 2020 youtube](#) - Aug 26 2022

web sep 14 2020 aprende a manejar el software con este tutorial inventor 2020 español sígueme en mis otras redes facebook

autodesk inventor 2020 tutorial en español youtube - Oct 28 2022

web descarga nuestro manual de autodesk inventor 2018 drive google com open id 1tfy bienvenidos esta es una muestra de

[autodesk inventor 2014 manual espanol mail lafamigliawv com](#) - May 23 2022

web autodesk inventor 2014 manual espanol 3 3 a thorough and yet highly readable style presented chronologically europe a cultural history examines the many cultural

manual in spanish autodesk community - Apr 02 2023

web sep 11 2003 la verdad hay poco de inventor en castellano yo busco mucho por la red y tengo algunas cosas poquitas que te podria enviar tengo en papel un manual del

inventor 2014 curso básico 01 03 09 2013 youtube - Jun 04 2023

web sep 3 2013 curso básico de autodesk inventor profesional 2014 rompiendo el hielo con la primera pieza entorno gráfico procedimientos restricciones y consejos

autodesk inventor professional 2014 indir full program Índir - Feb 17 2022

web autodesk inventor professional 2014 sp1 x86 x64 bit full tam indir autodesk inventor professional 3d cad yazılımıdır 3d mekanik tasarım dökümanitasyon ve ürün

inventor 2014 léame autodesk - Jul 05 2023

web mar 4 2013 si ha instalado autodesk inventor 2011 y 2014 y tiene el control de cuentas de usuario uac activado utilice ejecutar como administrador para cambiar de 2014 a

manual autodesk inventor 2013 español youtube - Oct 08 2023

web oct 2 2014 este es un manual que realice para el aprendizaje y uso del software autodesk inventor 2013 en español pero se adapta perfectamente a cualquier versión del software este manual esta

autodesk inventor 2014 manual espanol dotnbm - Apr 21 2022

web this unique text and video set presents a thorough introduction to autodesk inventor for anyone with little or no prior experience with cad software it can be used in virtually any

autodesk inventor 2014 manual espanol pdf pdf pdf mautech edu - Sep 26 2022

web autodesk inventor 2014 manual espanol pdf pdf upload donald v williamson 2 6 downloaded from mautech edu ng on

Remote Control Circuit Through Rf Without Microcontroller

november 3 2023 by donald v williamson of real

manual del ingeniero autodesk knowledge network - Sep 07 2023

web el manual del ingeniero es una guía de referencia rápida para disponer de información y fórmulas de cálculo algunos de los materiales son solo de referencia mientras que