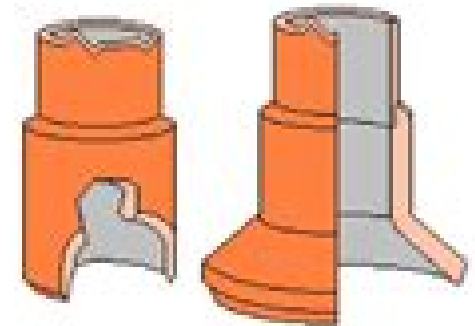


Well COMPLETION

5. OTHERS

5.1 Wireline Entry Guide (WLEG)

- Bottom most tubing accessories.
- Provide easy access for WL tools into tubing.

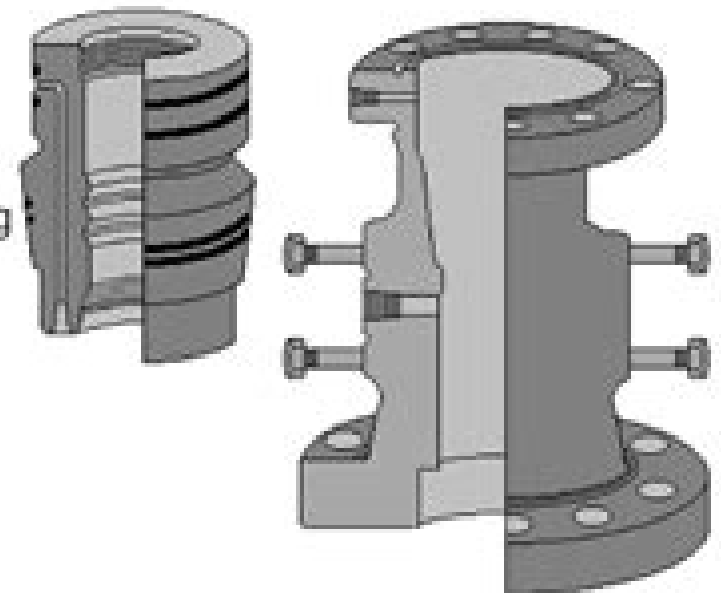


5.2 Perforated Joint

- Eliminate flow restrictions.
- Provide true downhole flow readings.

5.3 Control Line

- Transport hydraulic fluid to SCSSV
- Continuous length & securely clamped on tubing wall.



5.4 Tubing Hanger

- Set in THS , suspend tubing weight & provide sealing.
- BPV Receptacle

Wireline Operations Manual

United States. Army. Signal Corps



Wireline Operations Manual:

Standard Handbook of Petroleum and Natural Gas Engineering William C. Lyons, Gary J Plisga BS, 2011-03-15 This new edition of the Standard Handbook of Petroleum and Natural Gas Engineering provides you with the best state of the art coverage for every aspect of petroleum and natural gas engineering With thousands of illustrations and 1 600 information packed pages this text is a handy and valuable reference Written by over a dozen leading industry experts and academics the Standard Handbook of Petroleum and Natural Gas Engineering provides the best most comprehensive source of petroleum engineering information available Now in an easy to use single volume format this classic is one of the true must haves in any petroleum or natural gas engineer s library A classic for the oil and gas industry for over 65 years A comprehensive source for the newest developments advances and procedures in the petrochemical industry covering everything from drilling and production to the economics of the oil patch Everything you need all the facts data equipment performance and principles of petroleum engineering information not found anywhere else A desktop reference for all kinds of calculations tables and equations that engineers need on the rig or in the office A time and money saver on procedural and equipment alternatives application techniques and new approaches to problems

Wireline Operations and Procedures American Petroleum Institute. Division of Production, 1964

Wireline Operations Jack B. Hall, 1988

[Wireline Operations and Procedures](#) American Petroleum Institute. Production Department, 1994

Oilfield Survival Guide, Volume One: For All Oilfield Situations Matthew J. Hatami, 2017-01-02 Save Money Time and Lives with the Real World Oil Gas Experience of Others Learning the Hard Way in the Oilfield can Cost You Millions sometimes Billions of Dollars in addition to Injury and Loss of Life Cut Through the Noise to Focus on the Most Critical Aspects of Working in the Oil and Gas Business Based on over 1 000 Oil and Gas Situations involving Drilling Cementing Fracking Wireline Coil Tubing Snubbing Running Tools Welding Production Workover Logging Trucking Geology Land Engineering Resource Development Executive Management and much much more Expand Your Value Creation Opportunities by Learning from the Real World Experience of Others Whether you work in the office or in the field work as a Company Man Engineer Driller Tool Pusher Roughneck Geologist Landman Truck Driver Frac Hand Treater Cementer Lawyer Flowback Hand Welder Geophysicist Snubber Pumper Equipment Operator Derrick Man Mechanic Petrophysicist Roustabout Manager Director VP or Executive consider adding Oilfield Survival Guide to your toolbox of knowledge In other words if you work hard for your money in the oil business this book is for you The oil gas industry is one of the most capital intensive businesses today As a result mistakes situations can be expensive in addition to injury and loss of life To prevent undesirable situations Oilfield Survival Guide was created based on over 1 000 oil gas situations The ultimate guide for all oil and gas situations Tactics Procedures Fatalities Short Stories Train Wrecks Disaster Avoidance Court Cases Life Savings Skills Checklists Troubleshooting Problem Job Prevention Oilfield Survival Guide is the ultimate oil industry resource to help manage oilfield risk and avoid mistakes by increasing your oil and gas knowledge and

intelligence utilizing a variety of methods including Tactics Short and to the point guidelines to reduce risk and instill work principles to be successful in the oil industry from the field to the office Short Stories Experience from the mistakes of others Fatalities Detailed analysis of oil and gas tragedies Court Cases Jury trials expert witness testimony and legal opinions on a variety of oil and gas cases Procedures Step by step process to create oilfield procedures and checklists along with multiple examples Operations Analysis Oil and gas operations post mortem highlighting key learnings practical knowledge useful tips and best practices Over 1 000 oil and gas situations analyzed to create Oilfield Survival Guide **The Practical Handbook of Well Control** Rahman Ashena,2025-02-21 The Practical Handbook of Well Control teaches readers to safeguard well safety and integrity in drilling well engineering Offering an applied and scientific point of view it covers fundamental aspects of well control and includes practical procedures and well control methods for land and offshore operations It features a wealth of questions to commonly encountered problems and comprehensive answers at the end of each topical discussion to test reader comprehension Written in a concise accessible way by experienced oilfield and academic experts Covers all related technical subjects of well control Describes modern aspects of well control including automatic well control advances in outflow measurement artificial intelligence and IoT techniques for early kick detection mud gas separators and riser gas modeling Includes case studies to familiarize readers with real world problems and solutions Offers a full explanation of each problem to familiarize readers with commonly faced issues Features sample exercises with comprehensive answers useful for IWCF and IADC exams This handbook serves as a valuable reference and workbook for field drilling and workover engineers in the energy sector **Policy-Driven Mobile Ad hoc Network Management** Ritu Chadha,Latha Kant,2007-10-23 This book should be immensely interesting to those trying to decide what MANET research is worth undertaking and why J Christopher Ramming Program Manager Defense Advanced Research Projects Agency DARPA Strategic Technology Office A thorough comprehensive treatment of mobile ad hoc network management Mobile ad hoc networking is a hot topic gaining importance in both commercial and military arenas Now that the basics in the field have settled and standards are emerging the time is right for a book on management of these networks From two experts in the field Policy Driven Mobile Ad hoc Network Management provides comprehensive coverage of the management challenges associated with mobile ad hoc networks MANETs and includes an in depth discussion of how policy based network management can be used for increasing automation in the management of mobile ad hoc networks This book provides readers with a complete understanding of mobile ad hoc network management and many related topics including Network management requirements for MANETs with an emphasis on the differences between the management requirements for MANETs as compared to static wireline networks The use of policies for managing MANETs to increase automation and to tie together management components via policies Policy conflict detection and resolution Aspects of MANETs that need to be configured and reconfigured at all layers of the protocol stack Methodologies for providing survivability in the face of both hard and soft failures in MANETs The components

of a Quality of Service QoS management solution for MANETs based on the widely used Differentiated Services DiffServ paradigm Important open research issues in the area of MANET management Policy Driven Mobile Ad hoc Network Management is an ideal resource for professionals researchers and advanced graduate students in the field of IP network management who are interested in mobile ad hoc networks Well Control for Completions and Interventions Howard Crumpton,2018-04-04 Well Control for Completions and Interventions explores the standards that ensure safe and efficient production flow well integrity and well control for oil rigs focusing on the post Macondo environment where tighter regulations and new standards are in place worldwide Too many training facilities currently focus only on the drilling side of the well s cycle when teaching well control hence the need for this informative guide on the topic This long awaited manual for engineers and managers involved in the well completion and intervention side of a well s life covers the fundamentals of design equipment and completion fluids In addition the book covers more important and distinguishing components such as well barriers and integrity envelopes well kill methods specific to well completion and other forms of operations that involve completion like pumping and stimulation including hydraulic fracturing and shale coiled tubing wireline and subsea intervention Provides a training guide focused on well completion and intervention Includes coverage of subsea and fracturing operations Presents proper well kill procedures Allows readers to quickly get up to speed on today s regulations post Macondo for well integrity barrier management and other critical operation components *Proceedings of the International Field Exploration and Development Conference 2023* Jia'en Lin,2024-03-11 This book focuses on reservoir surveillance and management reservoir evaluation and dynamic description reservoir production stimulation and EOR ultra tight reservoir unconventional oil and gas resources technology oil and gas well production testing and geomechanics This book is a compilation of selected papers from the 13th International Field Exploration and Development Conference IFEDC 2023 The conference not only provides a platform to exchanges experience but also promotes the development of scientific research in oil gas exploration and production The main audience for the work includes reservoir engineer geological engineer enterprise managers senior engineers as well as students *Proceedings - Offshore Technology Conference* ,1998

Federal Register ,1999-07-08 **A Guide to Coalbed Methane Operations** Vicki A. Hollub,Paul S. Schafer,1992

The Oil and Gas Journal ,1930 *Petroleum Engineering Handbook* Howard B. Bradley,Fred W. Gipson,1987

Proceedings ... SPE Annual Technical Conference and Exhibition Society of Petroleum Engineers (U.S.). Technical Conference and Exhibition,1992 **The Standard and Poor's 500 Guide** Standard & Poor's,2005-12 Text and statistical data on 500 individual companies **Drilling International** ,1967 **Petroleum Engineer International** ,1982

Petroleum Engineering Handbook Larry W. Lake,2006 The Petroleum Engineering Handbook has long been recognized as a valuable comprehensive reference book that offers practical day to day applications for students and experienced engineering professionals alike The Petroleum Engineering Handbook is now a series of 7 volumes Volume IV

Production Operations Engineering will bring readers up to date in the areas of design equipment selection and operation procedures for most oil and gas wells Chapters cover three main topic areas well completions problems caused by formation damage and artificial lift a major concern for production engineers **Training Manual** United States. Army. Signal Corps,1925

The Top Books of the Year Wireline Operations Manual The year 2023 has witnessed a noteworthy surge in literary brilliance, with numerous compelling novels enthralling the hearts of readers worldwide. Lets delve into the realm of bestselling books, exploring the engaging narratives that have captivated audiences this year. The Must-Read : Colleen Hoover's "It Ends with Us" This heartfelt tale of love, loss, and resilience has gripped readers with its raw and emotional exploration of domestic abuse. Hoover expertly weaves a story of hope and healing, reminding us that even in the darkest of times, the human spirit can succeed. Wireline Operations Manual : Taylor Jenkins Reids "The Seven Husbands of Evelyn Hugo" This intriguing historical fiction novel unravels the life of Evelyn Hugo, a Hollywood icon who defies expectations and societal norms to pursue her dreams. Reids captivating storytelling and compelling characters transport readers to a bygone era, immersing them in a world of glamour, ambition, and self-discovery. Wireline Operations Manual : Delia Owens "Where the Crawdads Sing" This evocative coming-of-age story follows Kya Clark, a young woman who grows up alone in the marshes of North Carolina. Owens crafts a tale of resilience, survival, and the transformative power of nature, entrancing readers with its evocative prose and mesmerizing setting. These bestselling novels represent just a fraction of the literary treasures that have emerged in 2023. Whether you seek tales of romance, adventure, or personal growth, the world of literature offers an abundance of captivating stories waiting to be discovered. The novel begins with Richard Papen, a bright but troubled young man, arriving at Hampden College. Richard is immediately drawn to the group of students who call themselves the Classics Club. The club is led by Henry Winter, a brilliant and charismatic young man. Henry is obsessed with Greek mythology and philosophy, and he quickly draws Richard into his world. The other members of the Classics Club are equally as fascinating. Bunny Corcoran is a wealthy and spoiled young man who is always looking for a good time. Charles Tavis is a quiet and reserved young man who is deeply in love with Henry. Camilla Macaulay is a beautiful and intelligent young woman who is drawn to the power and danger of the Classics Club. The students are all deeply in love with Morrow, and they are willing to do anything to please him. Morrow is a complex and mysterious figure, and he seems to be manipulating the students for his own purposes. As the students become more involved with Morrow, they begin to commit increasingly dangerous acts. The Secret History is a exceptional and thrilling novel that will keep you guessing until the very end. The novel is a cautionary tale about the dangers of obsession and the power of evil.

<https://py.bijouxmedusa.com/book/detail/index.jsp/Business%20Continuity%20And%20Disaster%20Recovery.pdf>

Table of Contents Wireline Operations Manual

1. Understanding the eBook Wireline Operations Manual
 - The Rise of Digital Reading Wireline Operations Manual
 - Advantages of eBooks Over Traditional Books
2. Identifying Wireline Operations Manual
 - Exploring Different Genres
 - Considering Fiction vs. Non-Fiction
 - Determining Your Reading Goals
3. Choosing the Right eBook Platform
 - Popular eBook Platforms
 - Features to Look for in an Wireline Operations Manual
 - User-Friendly Interface
4. Exploring eBook Recommendations from Wireline Operations Manual
 - Personalized Recommendations
 - Wireline Operations Manual User Reviews and Ratings
 - Wireline Operations Manual and Bestseller Lists
5. Accessing Wireline Operations Manual Free and Paid eBooks
 - Wireline Operations Manual Public Domain eBooks
 - Wireline Operations Manual eBook Subscription Services
 - Wireline Operations Manual Budget-Friendly Options
6. Navigating Wireline Operations Manual eBook Formats
 - ePub, PDF, MOBI, and More
 - Wireline Operations Manual Compatibility with Devices
 - Wireline Operations Manual Enhanced eBook Features
7. Enhancing Your Reading Experience
 - Adjustable Fonts and Text Sizes of Wireline Operations Manual
 - Highlighting and Note-Taking Wireline Operations Manual
 - Interactive Elements Wireline Operations Manual
8. Staying Engaged with Wireline Operations Manual

- Joining Online Reading Communities
- Participating in Virtual Book Clubs
- Following Authors and Publishers Wireline Operations Manual
- 9. Balancing eBooks and Physical Books Wireline Operations Manual
 - Benefits of a Digital Library
 - Creating a Diverse Reading Collection Wireline Operations Manual
- 10. Overcoming Reading Challenges
 - Dealing with Digital Eye Strain
 - Minimizing Distractions
 - Managing Screen Time
- 11. Cultivating a Reading Routine Wireline Operations Manual
 - Setting Reading Goals Wireline Operations Manual
 - Carving Out Dedicated Reading Time
- 12. Sourcing Reliable Information of Wireline Operations Manual
 - Fact-Checking eBook Content of Wireline Operations Manual
 - Distinguishing Credible Sources
- 13. Promoting Lifelong Learning
 - Utilizing eBooks for Skill Development
 - Exploring Educational eBooks
- 14. Embracing eBook Trends
 - Integration of Multimedia Elements
 - Interactive and Gamified eBooks

Wireline Operations Manual Introduction

Free PDF Books and Manuals for Download: Unlocking Knowledge at Your Fingertips In today's fast-paced digital age, obtaining valuable knowledge has become easier than ever. Thanks to the internet, a vast array of books and manuals are now available for free download in PDF format. Whether you are a student, professional, or simply an avid reader, this treasure trove of downloadable resources offers a wealth of information, conveniently accessible anytime, anywhere. The advent of online libraries and platforms dedicated to sharing knowledge has revolutionized the way we consume information. No longer confined to physical libraries or bookstores, readers can now access an extensive collection of digital books and

manuals with just a few clicks. These resources, available in PDF, Microsoft Word, and PowerPoint formats, cater to a wide range of interests, including literature, technology, science, history, and much more. One notable platform where you can explore and download free Wireline Operations Manual PDF books and manuals is the internet's largest free library. Hosted online, this catalog compiles a vast assortment of documents, making it a veritable goldmine of knowledge. With its easy-to-use website interface and customizable PDF generator, this platform offers a user-friendly experience, allowing individuals to effortlessly navigate and access the information they seek. The availability of free PDF books and manuals on this platform demonstrates its commitment to democratizing education and empowering individuals with the tools needed to succeed in their chosen fields. It allows anyone, regardless of their background or financial limitations, to expand their horizons and gain insights from experts in various disciplines. One of the most significant advantages of downloading PDF books and manuals lies in their portability. Unlike physical copies, digital books can be stored and carried on a single device, such as a tablet or smartphone, saving valuable space and weight. This convenience makes it possible for readers to have their entire library at their fingertips, whether they are commuting, traveling, or simply enjoying a lazy afternoon at home. Additionally, digital files are easily searchable, enabling readers to locate specific information within seconds. With a few keystrokes, users can search for keywords, topics, or phrases, making research and finding relevant information a breeze. This efficiency saves time and effort, streamlining the learning process and allowing individuals to focus on extracting the information they need. Furthermore, the availability of free PDF books and manuals fosters a culture of continuous learning. By removing financial barriers, more people can access educational resources and pursue lifelong learning, contributing to personal growth and professional development. This democratization of knowledge promotes intellectual curiosity and empowers individuals to become lifelong learners, promoting progress and innovation in various fields. It is worth noting that while accessing free Wireline Operations Manual PDF books and manuals is convenient and cost-effective, it is vital to respect copyright laws and intellectual property rights. Platforms offering free downloads often operate within legal boundaries, ensuring that the materials they provide are either in the public domain or authorized for distribution. By adhering to copyright laws, users can enjoy the benefits of free access to knowledge while supporting the authors and publishers who make these resources available. In conclusion, the availability of Wireline Operations Manual free PDF books and manuals for download has revolutionized the way we access and consume knowledge. With just a few clicks, individuals can explore a vast collection of resources across different disciplines, all free of charge. This accessibility empowers individuals to become lifelong learners, contributing to personal growth, professional development, and the advancement of society as a whole. So why not unlock a world of knowledge today? Start exploring the vast sea of free PDF books and manuals waiting to be discovered right at your fingertips.

FAQs About Wireline Operations Manual Books

What is a Wireline Operations Manual PDF? A PDF (Portable Document Format) is a file format developed by Adobe that preserves the layout and formatting of a document, regardless of the software, hardware, or operating system used to view or print it. **How do I create a Wireline Operations Manual PDF?** There are several ways to create a PDF: Use software like Adobe Acrobat, Microsoft Word, or Google Docs, which often have built-in PDF creation tools. Print to PDF: Many applications and operating systems have a "Print to PDF" option that allows you to save a document as a PDF file instead of printing it on paper. Online converters: There are various online tools that can convert different file types to PDF. **How do I edit a Wireline Operations Manual PDF?** Editing a PDF can be done with software like Adobe Acrobat, which allows direct editing of text, images, and other elements within the PDF. Some free tools, like PDFescape or Smallpdf, also offer basic editing capabilities. **How do I convert a Wireline Operations Manual PDF to another file format?** There are multiple ways to convert a PDF to another format: Use online converters like Smallpdf, Zamzar, or Adobe Acrobats export feature to convert PDFs to formats like Word, Excel, JPEG, etc. Software like Adobe Acrobat, Microsoft Word, or other PDF editors may have options to export or save PDFs in different formats. **How do I password-protect a Wireline Operations Manual PDF?** Most PDF editing software allows you to add password protection. In Adobe Acrobat, for instance, you can go to "File" -> "Properties" -> "Security" to set a password to restrict access or editing capabilities. Are there any free alternatives to Adobe Acrobat for working with PDFs? Yes, there are many free alternatives for working with PDFs, such as: LibreOffice: Offers PDF editing features. PDFsam: Allows splitting, merging, and editing PDFs. Foxit Reader: Provides basic PDF viewing and editing capabilities. How do I compress a PDF file? You can use online tools like Smallpdf, ILovePDF, or desktop software like Adobe Acrobat to compress PDF files without significant quality loss. Compression reduces the file size, making it easier to share and download. Can I fill out forms in a PDF file? Yes, most PDF viewers/editors like Adobe Acrobat, Preview (on Mac), or various online tools allow you to fill out forms in PDF files by selecting text fields and entering information. Are there any restrictions when working with PDFs? Some PDFs might have restrictions set by their creator, such as password protection, editing restrictions, or print restrictions. Breaking these restrictions might require specific software or tools, which may or may not be legal depending on the circumstances and local laws.

Find Wireline Operations Manual :

business continuity and disaster recovery

business math for dummies pdf download now

[building a scalable data warehouse with data vault 2 0 e](#)

[bridge inspection maintenance and repair](#)

[buen viaje level 1 workbook answer key](#)

[burg an italian american community at bay in trenton](#)

[breakthroughs in nanoelectronics research on 2d superlattices greatest triumph of fundamental nanoelectronics research](#)

[busbar calculation software products suppliers](#)

[bosch de fuel injection bosch fuel injection](#)

brookstone big digit atomic alarm clock manual

business associations multiple choice exam with answers

[boost e commerce sales and make more money three hundred tips to increase conversion rates and generate leads](#)

[brain boosting math activities grade 2 more than 50 great activities that reinforce problem solving and essential math skills](#)

btec level 2 first sport student book study skills paperback

[business driven information systems 3rd edition](#)

Wireline Operations Manual :

civil engineering practical notes a z ecceengineers eu - Jun 14 2023

web civil engineering practical notes a z vincent t h chu 3 preface this book is intended primarily to arouse the interests of graduate engineers assistant engineers and

[civil engineering lab civil engineering practical polytechnic](#) - Aug 04 2022

web the program the beng in civil engineering is composed of four years of full time academic study the first two years of the degree program present a broad practical

[diploma in civil engineering after 10th jobs syllabus salary](#) - Jul 03 2022

web aug 12 2023 the average fee for diploma in civil engineering varies between inr 50 000 and inr 5 00 000 however in terms of prospects various job opportunities are

bachelor in civil engineering for diploma holders career path - Oct 26 2021

[10 civil engineering skills and tips to develop them](#) - Apr 12 2023

web practical course to gain quick knowledge in civil engineering get entry level jobs in construction as freshers rating 4 4 out of 5 4 4 289 ratings 1 548 students

[higher diploma in civil engineering the hong kong polytechnic](#) - Sep 24 2021

diploma civil engineering practical harvard university - Dec 08 2022

web below you will find education programs in civil engineering diploma certificate abroad in england narrow your search further by selecting a specific category program level

diploma in civil engineering course subjects colleges syllabus - Jan 29 2022

web jan 19 2023 diploma in civil engineering the most basic requirement for a bce program for diploma holders is a diploma in civil engineering from a recognized

diploma in basics of civil engineering for construction - Mar 11 2023

web jun 29 2023 apart from theoretical concepts the following are the practical subjects available under the civil engineering diploma subjects for the first year elements of

civil engineering diploma certificate abroad educations com - Sep 05 2022

web city guilds level 4 diploma in civil engineering 9209 03 5 structure to achieve the level 4 diploma in civil engineering learners must achieve the five mandatory units

[diploma in civil engineering syllabus and subjects 2023](#) - Feb 10 2023

web target to download and install the diploma civil engineering practical it is utterly easy then previously currently we extend the belong to to buy and create bargains to

diploma in civil engineering course details eligibility - Oct 06 2022

web diploma in civil engineering is a 3 year course for students after completion of class 10 that teaches students to plan design execute and maintain structural works like bridges

practical knowledge for civil engineers graduates udemy - Jul 15 2023

web this training is offered for both civil engineer graduates diploma students of civil branch to enhance the industrial training students can learn real site experience

diploma in civil engineering leverage edu - Feb 27 2022

web to train a civil engineering technician with sufficient academic knowledge and practical experience to plan design construct and manage projects in the civil engineering

level 4 diploma in civil engineering 9209 03 city guilds - Jun 02 2022

web sep 7 2023 diploma in civil engineering is a 3 year professional course in the field of engineering the course comprises of construction design and maintenance of man

advanced diploma of civil and structural engineering eit - May 13 2023

web program details this program aims to impart the necessary civil and structural engineering skills and all the theory covered is tied to a practical outcome eight

civil engineering bachelor of engineering full time 8660beng - May 01 2022

web jul 6 2021 download pdf what is diploma in civil engineering diploma in civil engineering is a three year course programme the course is all about planning

diploma in civil engineering iuea - Nov 07 2022

web thanks for you watching this civil engineering lab polytechnic diploma students at aryavart institute of technology and management lucknow video civilengine

diploma in civil engineering eligibility fee scope job prospects - Mar 31 2022

web they compile fill out and submit permits and applications to local state and federal agencies and ensure their projects comply with local rules laws and regulations they

what does a diploma civil engineer do role responsibilities - Dec 28 2021

web sep 29 2021 professional recognition full accreditation was granted by the hong kong institution of engineers hkie graduates are granted full exemption from the academic

how to build a successful career with a diploma in - Jan 09 2023

web the general objectives of the diploma in civil engineering programme are produce engineering technicians who are well equipped in theoretical and practical technical

national diploma engineering civil ndeci university of - Nov 26 2021

best civil engineering courses certifications 2023 coursera - Aug 16 2023

web master of science in civil engineering earn a degree credit eligible degree 1 4 years free c duke university renewable energy and green building entrepreneurship

diary ng panget book 1 completed wamppad - Feb 12 2022

web sabay inirapan ako i expected this ini expect ko na na ganto ang mga estudyante dito mga mapangmata at mapagmataas afterall they are spoiled rich brats read season 1 all completed from the story diary ng panget book 1 completed by hallowbae 22 shane wolf with 29 0

diary ng panget the movie part 1 youtube - Oct 23 2022

web 176k views 8 years ago the diary ng panget tetralogy diary of an ugly is a series of romantic comedy novels by a wamppad author under the name of haveyouseenthisgirl the original unedited

diary ng panget film wikipedia - Oct 03 2023

web diary ng panget lit diary of an ugly person also known as diary ng panget the movie is a 2014 filipino romantic comedy film based on the best selling novel of the same name written and published on wamppad by denny r the film was directed by

andoy ranay and stars nadine lustre james reid yassi pressman and andre paras

diary ng panget apple tv ca - Nov 23 2022

web it helps that panget is written in diary form so it makes you feel as if you re eavesdropping on the stirrings of a girl s heart and witnessing first

diary ng panget series by haveyouseenthisgirl goodreads - May 30 2023

web book 1 diary ng panget by haveyouseenthisgirl 4 39 7 493 ratings 403 reviews published 2013 2 editions mahirap at panget si girl tapos magnet siya ng mga want to read rate it book 2 diary ng panget 2 by haveyouseenthisgirl 4 51 5 664 ratings 185 reviews published 2013 2 editions mahirap at panget si girl tapos magnet siya

diary ng panget stream and watch online moviefone - Apr 28 2023

web we ve listed a number of streaming and cable services including rental purchase and subscription options along with the availability of diary ng panget on each platform when they are

diary ng pangit complete version google books - Sep 21 2022

web title diary ng panget complete edition author haveyouseenthisgirl from watsapp other works she died manga 1 3 she died novel voiceless 1 2 published by psicom publishing inc

diary ng panget 1 video dailymotion - Jun 18 2022

web may 16 2014 laman ng diary ng isang babae siya palang magiging forever niya dapat alam mo

diary ng panget nat l bookstore no 1 best seller now with - May 18 2022

web jul 4 2013 the story of eya s life is now a published book diary ng panget is now available in different bookstores nationwide as of july 2013 two books are already availableand both are priced at 150 00 only diary ng panget is the watsapp story that started the ebook craze for pinay girls

watch diary ng panget online 2014 movie yidio - Feb 24 2023

web diary ng panget is a 2014 comedy with a runtime of 1 hour and 54 minutes it has received moderate reviews from critics and viewers who have given it an imdb score of 6 0 where to watch details add to watchlist mark as watched prime

subscribers with pinoy box office rent from 3 99 own from 12 99

diary ng panget by haveyouseenthisgirl goodreads - Jul 20 2022

web samahan natin si eya sa nakakaloka niyang adventure sa willford academy a cinderella story with a twist katatawanan a story na pwedeng pwede sa mga kabataan at pati na rin sa lagpas kabataan para sa kababaihan kalalakihan binabae o pusong lalaki a very funny and kakilig story show more

diary ng panget wiki fandom - Dec 25 2022

web diary ng panget wiki is an encyclopedia dedicated to the novel diary ng panget by haveyouseenthisgirl this includes

characters books movie and more the wiki format allows anyone to create or edit articles so we can all work to make a
diary ng panget apple tv ph - Jan 26 2023

web diary ng panget romance a poor young woman becomes a personal maid for a rich and handsome young man the two do not get along at first but as their lives become entangled their relationship becomes more complicated information studio viva communications inc genre romance released 2014 run time 1 hr 54 min rated

diary ng panget complete pdf pdf scribd - Jun 30 2023

web 2a ira maging mayaman 0a at nakadikit sayo 0a at nakaasa sayo 0a at m ngot sayo 0a at g sto mag a ibre hangga t may singkong d ing ka a sa b sa indi ka ni a tatantanan f dear diary oday nada a ako sa may a ay wa ang naka ansin b ti na ang panget ako eya

diary ng panget film wikiwand - Mar 28 2023

web diary ng panget is a 2014 filipino romantic comedy film based on the best selling novel of the same name written and published on wattpad by denny r the film was directed by andoy ranay and stars nadine lustre james reid yassi pressman and andre paras

diary ng panget wikipedia - Aug 01 2023

web the diary ng panget diary of an ugly is a tetralogy series of romantic comedy novels by a wattpad author under the name of haveyouseenthisgirl the original unedited story was first posted on the online literary site wattpad

5 life lessons we diary ng panget by haveyouseenthisgirl - Mar 16 2022

web apr 2 2022 5 life lessons we could all learn from diary ng panget the movie 1 dnp reminds us that if someone has a problem help him or her in any way you can

diary ng panget 1 by haveyouseenthisgirl wattpad - Aug 21 2022

web oct 2 2013 diary ng panget psicom publishing inc quezon city philippines strengths eya typical na outcast pero lapitin ng boys the difference is she is not the cliché damsel in distress heroine also her attitude reflects the common thoughts of filipina teen agers physical look

diary ng panget rotten tomatoes - Apr 16 2022

web asian american pacific islander heritage a poor young woman becomes a personal maid for a rich and handsome young man the two do not get along at first but as their lives become entangled

diary ng panget the movie official full trailer youtube - Sep 02 2023

web mar 20 2014 ang number 1 best selling book ng 2013 soon to be blockbuster movie ngayong april 2 2014 this is the official full trailer of diary ng panget the movie

manuals gilera - Sep 28 2022

web piaggio c spa sede legale viale rinaldo piaggio 25 56025 pontedera pi tel 39 0587 272111 p iva 01551260506

gilera runner wikipedia - Oct 30 2022

web the runner was initially only available with two stroke engines with 125 cc and 180 cc four stroke versions arriving in 1998 and the larger two stroke versions phased out the model range was revised in 2005 with an all new model introduced in 2009

gilera runner 180 manual pdf - Apr 23 2022

web feb 6 2014 sound and music amplifier manuals collection 889 items bob 06 apr yamaha corporation ヤマハ株式会社 yamaha kabushiki gaisha tyo 7951 is a japanese multinational corporation and conglomerate based in japan with a very wide range of products and services predominantly musical instruments electronics

gilera an italian speed icon gilera en - May 25 2022

web gilera is an italian brand with a long and proud history founded in 1909 it immediately made a mark with its competitive spirit technical excellence and unbridled passion for speed qualities that led to a host of sporting successes over the decades for example between 1950 and 1957 alone gilera won six moto gp world championships with high

gilera runner service repair workshop manuals emanualonline - Mar 03 2023

web our runner gilera workshop manuals contain in depth maintenance service and repair information get your emanual now service manual gilera runner pdf forumfree - Jan 01 2023

web sep 6 2015 there are two service manuals for the gilera runner the normal red and particularly one for the engine black i had to divide the whb pdf due to the uploadlimits into several partial archives these can be built up however with e g winrar again to a part red 1 teil rapidshare com files 30376170 giler part1 rar html 2

gilera runner vxr 180 service manual - Jun 25 2022

web mar 24 2022 gilera runner vxr 180 service manual rrg 23 apr collection at all usermanuals com we know that an user s manual may be needed at any time that s why our team is at your disposal the majority of time our mission find your user guide or user s manual as quickly as possible to make your request nothing more simple you just

gilera runner service repair manual pdf - Jul 07 2023

web gilera runner 125 service manual runner 200 workshop download now gilera runner fx fxr 125 180 wiring diagram download now gilera runner 50 wiring diagram download now gilera runner 50dd service manual 2001 polish language download now gilera runner rst purejet service repair manual

gilera motorcycle scooter manuals pdf electric wiring - Jul 27 2022

web gilera motorcycle scooter manuals pdf free download wiring diagrams history of gilera motorcycles gilera motorcycle scooter manuals pdf electric wiring diagrams free service manuals pdf spare parts catalogues electric wiring diagrams and

fault codes dtc for motorcycle scooter moped

gilera service repair manuals pdf and wiring diagrams - Sep 09 2023

web gilera runner 125 200 en service station manual pdf 18 7mb download gilera runner 180 fxr parts catalog pdf 1 4mb

download gilera runner 50 parts catalog pdf 2 9mb download gilera runner purejet en service station manual pdf

gilera runner fx fxr 125cc 180cc service repair manual - Feb 02 2023

web the manual includes step by step instructions and detailed illustrations for troubleshooting cooling and lubrication

system general information periodic maintenance driveline axle tune up engine transmission transaxle fuel system and

throttle electrical systems suspension steering brake frame body periodic inspection and

gilera runner fxr180 1998 manuals manualslib - Oct 10 2023

web gilera runner fxr180 1998 manuals manuals and user guides for gilera runner fxr180 1998 we have 1 gilera runner

fxr180 1998 manual available for free pdf download service and repair manual

gilera runner rstpurejet service manual pdf - Aug 08 2023

web view and download gilera runner rstpurejet service manual online runner rstpurejet scooter pdf manual download also

for runner rst purejet

2001 gilera runner 180 specifications and pictures bikez - Aug 28 2022

web inspect technical data look at photos read the riders comments at the bike s discussion group and check out the bike s

reliability repair costs etc show any 2001 gilera runner 180 for sale on our bikez biz motorcycle classifieds

gilera runner vxr 180 manual - Feb 19 2022

web gilera runner vxr 180 manual 66 466 views the internet archive manual library is a collection of manuals instructions

walkthroughs and datasheets for a massive spectrum of items manuals covering electronic and mechanical products

instructions on mixing or blending items and instruction sets for software and computer items are all included

gilera motorcycle free motorcycle manual electric wiring - Jun 06 2023

web currently a number of motorcycles and scooters are produced under the gilera brand with power units with a working

volume of from 50 to one 180 cc gilera motorcycle service manuals pdf download free gp800 runner smt gilera motorrad

wiring diagrams gilera motorcycles history

gilera runner fxr180 vxr180 vxr200 service repair pdf manual - Apr 04 2023

web american made 2021 08 10 this gilera runner fxr180 vxr180 vxr200 service repair pdf manual download 1998 2004

mt021226 is an electronic format manual that provides detailed illustrations and step by step instructions for repairing and

servicing your vehicle

gilera runner 180 service manual pdf - Mar 23 2022

web may 25 2013 gilera runner 180 service manual pdf bosch instruction manual maxx ge speedtronic mark vi turbine control user manual intel 386ex user manual ga 37 compressor manual synergy v452 manual ski doo olympique 340 manual *gilera runner fxr180 vxr180 vxr200 service repair manual* - May 05 2023

web this highly detailed service repair workshop manual contains everything you will ever need to repair maintain rebuild refurbish or restore your vehicle this manual is supplied in easy to gilera runner fxr180 *gilera runner fxr180 vxr180 vxr200 service repair pdf manual* - Nov 30 2022

web this gilera runner fxr180 vxr180 vxr200 service repair pdf manual 1998 2004 mt029165 is an electronic format that can be printed out for easy use it contains detailed illustrations and step by step instructions for repair and maintenance tasks