

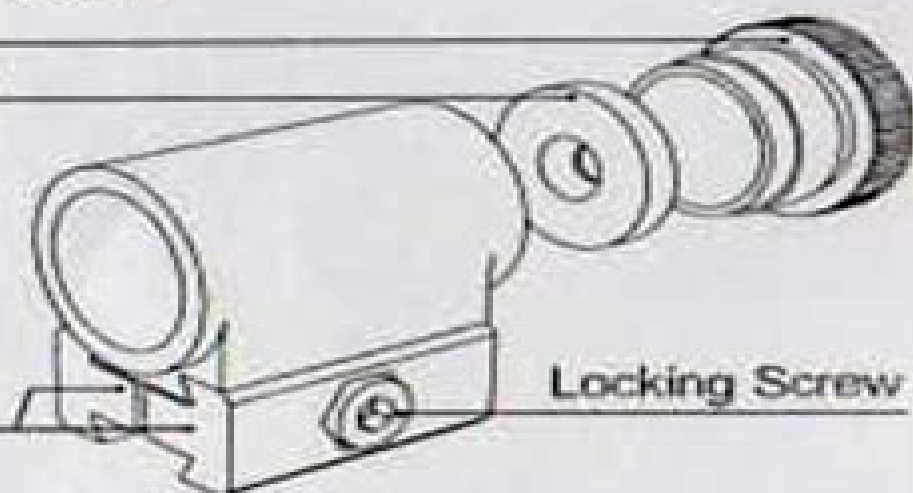
Front Aperture Sight:

Locking Piece

Sighting Piece

Base Clamp

Locking Screw



Rear Aperture Sight:

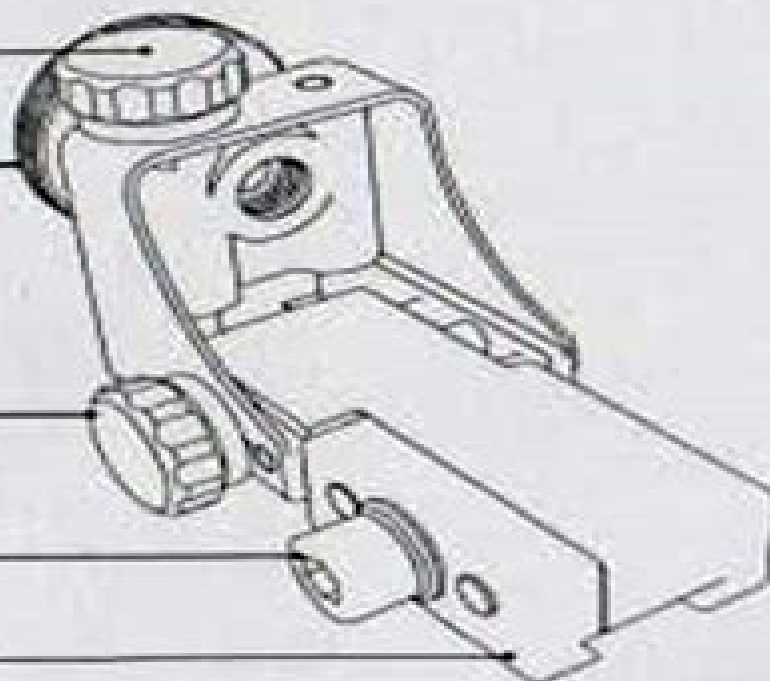
Elevation Knob

Eye Piece

Windage Knob

Locking Screw

Base Clamp



Adjusting Sights

United States. War Department



Adjusting Sights:

Engineer Training Manual. U.S. Army United States. Army. Corps of Engineers Board on engineer troops,1917
Form United States. Army. Ordnance Dept,1917 *Technical Manual* ,1942 *Patents for Inventions. Abridgments of Specifications* Great Britain. Patent Office,1922 *Accounts and Papers of the House of Commons* Great Britain. Parliament. House of Commons,1879 **Text-book of Ordnance and Gunnery** William Freeland Fullam,Thomas Charles Hart,1905 *Technical Manual* United States. War Department,1942 *Handbook of the 4.7-inch Gun Matériel, Model of 1906...* United States. Army. Ordnance Department,1918 *Ordnance Maintenance, Gun and Carriage, 75-mm, M1897, All Types, and Special Field Artillery Vehicles* ,1942 *Manual of garrison artillery 1887. [Continued as] Garrison artillery drill [afterw.] training. [With] Amendments* War office,1887 Parliamentary Papers Great Britain. Parliament. House of Commons,1908 **The Ordnance Districts** United States. Army. Ordnance Department,1906 Handbook of the 8-inch Howitzer Matériel, Model of 1917... United States. Army. Ordnance Department,1918 Report Pennsylvania. Adjutant-General's Office,1909 *Official Documents, Comprising the Department and Other Reports Made to the Governor, Senate and House of Representatives of Pennsylvania* ,1909 *Annual Report* Pennsylvania. Adjutant-General's Office,1910 *Report of the Adjutant General of Pennsylvania* Pennsylvania. Adjutant-General's Office,1909 **Official Documents, Comprising the Department and Other Reports Made to the Governor, Senate, and House of Representatives of Pennsylvania** Pennsylvania,1909 **Ordnance Maintenance, Gun and Carriage, 75-mm, M1897, All Types, and Special Field Artillery Vehicles** United States. War Department,1942 **Handbook for the 5-inch B.L. Howitzer** Great Britain. War Office,1905

Decoding **Adjusting Sights**: Revealing the Captivating Potential of Verbal Expression

In an era characterized by interconnectedness and an insatiable thirst for knowledge, the captivating potential of verbal expression has emerged as a formidable force. Its ability to evoke sentiments, stimulate introspection, and incite profound transformations is genuinely awe-inspiring. Within the pages of "**Adjusting Sights**," a mesmerizing literary creation penned by way of a celebrated wordsmith, readers attempt an enlightening odyssey, unraveling the intricate significance of language and its enduring effect on our lives. In this appraisal, we shall explore the book's central themes, evaluate its distinctive writing style, and gauge its pervasive influence on the hearts and minds of its readership.

https://py.bijouxmedusa.com/data/virtual-library/fetch.php/cybersecurity_strategies_for_small_business_68_2182_cybersecurity_tips.pdf

Table of Contents Adjusting Sights

1. Understanding the eBook Adjusting Sights
 - The Rise of Digital Reading Adjusting Sights
 - Advantages of eBooks Over Traditional Books
2. Identifying Adjusting Sights
 - Exploring Different Genres
 - Considering Fiction vs. Non-Fiction
 - Determining Your Reading Goals
3. Choosing the Right eBook Platform
 - Popular eBook Platforms
 - Features to Look for in an Adjusting Sights
 - User-Friendly Interface
4. Exploring eBook Recommendations from Adjusting Sights
 - Personalized Recommendations
 - Adjusting Sights User Reviews and Ratings

- Adjusting Sights and Bestseller Lists
- 5. Accessing Adjusting Sights Free and Paid eBooks
 - Adjusting Sights Public Domain eBooks
 - Adjusting Sights eBook Subscription Services
 - Adjusting Sights Budget-Friendly Options
- 6. Navigating Adjusting Sights eBook Formats
 - ePub, PDF, MOBI, and More
 - Adjusting Sights Compatibility with Devices
 - Adjusting Sights Enhanced eBook Features
- 7. Enhancing Your Reading Experience
 - Adjustable Fonts and Text Sizes of Adjusting Sights
 - Highlighting and Note-Taking Adjusting Sights
 - Interactive Elements Adjusting Sights
- 8. Staying Engaged with Adjusting Sights
 - Joining Online Reading Communities
 - Participating in Virtual Book Clubs
 - Following Authors and Publishers Adjusting Sights
- 9. Balancing eBooks and Physical Books Adjusting Sights
 - Benefits of a Digital Library
 - Creating a Diverse Reading Collection Adjusting Sights
- 10. Overcoming Reading Challenges
 - Dealing with Digital Eye Strain
 - Minimizing Distractions
 - Managing Screen Time
- 11. Cultivating a Reading Routine Adjusting Sights
 - Setting Reading Goals Adjusting Sights
 - Carving Out Dedicated Reading Time
- 12. Sourcing Reliable Information of Adjusting Sights
 - Fact-Checking eBook Content of Adjusting Sights
 - Distinguishing Credible Sources

-
13. Promoting Lifelong Learning
 - Utilizing eBooks for Skill Development
 - Exploring Educational eBooks
 14. Embracing eBook Trends
 - Integration of Multimedia Elements
 - Interactive and Gamified eBooks

Adjusting Sights Introduction

Adjusting Sights Offers over 60,000 free eBooks, including many classics that are in the public domain. Open Library: Provides access to over 1 million free eBooks, including classic literature and contemporary works. Adjusting Sights Offers a vast collection of books, some of which are available for free as PDF downloads, particularly older books in the public domain. Adjusting Sights : This website hosts a vast collection of scientific articles, books, and textbooks. While it operates in a legal gray area due to copyright issues, its a popular resource for finding various publications. Internet Archive for Adjusting Sights : Has an extensive collection of digital content, including books, articles, videos, and more. It has a massive library of free downloadable books. Free-eBooks Adjusting Sights Offers a diverse range of free eBooks across various genres. Adjusting Sights Focuses mainly on educational books, textbooks, and business books. It offers free PDF downloads for educational purposes. Adjusting Sights Provides a large selection of free eBooks in different genres, which are available for download in various formats, including PDF. Finding specific Adjusting Sights, especially related to Adjusting Sights, might be challenging as theyre often artistic creations rather than practical blueprints. However, you can explore the following steps to search for or create your own Online Searches: Look for websites, forums, or blogs dedicated to Adjusting Sights, Sometimes enthusiasts share their designs or concepts in PDF format. Books and Magazines Some Adjusting Sights books or magazines might include. Look for these in online stores or libraries. Remember that while Adjusting Sights, sharing copyrighted material without permission is not legal. Always ensure youre either creating your own or obtaining them from legitimate sources that allow sharing and downloading. Library Check if your local library offers eBook lending services. Many libraries have digital catalogs where you can borrow Adjusting Sights eBooks for free, including popular titles. Online Retailers: Websites like Amazon, Google Books, or Apple Books often sell eBooks. Sometimes, authors or publishers offer promotions or free periods for certain books. Authors Website Occasionally, authors provide excerpts or short stories for free on their websites. While this might not be the Adjusting Sights full book , it can give you a taste of the authors writing style. Subscription Services Platforms like Kindle Unlimited or Scribd offer subscription-based access to a wide range of Adjusting Sights eBooks, including some popular titles.

FAQs About Adjusting Sights Books

What is a Adjusting Sights PDF? A PDF (Portable Document Format) is a file format developed by Adobe that preserves the layout and formatting of a document, regardless of the software, hardware, or operating system used to view or print it.

How do I create a Adjusting Sights PDF? There are several ways to create a PDF: Use software like Adobe Acrobat, Microsoft Word, or Google Docs, which often have built-in PDF creation tools. Print to PDF: Many applications and operating systems have a "Print to PDF" option that allows you to save a document as a PDF file instead of printing it on paper. Online converters: There are various online tools that can convert different file types to PDF. **How do I edit a Adjusting Sights**

PDF? Editing a PDF can be done with software like Adobe Acrobat, which allows direct editing of text, images, and other elements within the PDF. Some free tools, like PDFescape or Smallpdf, also offer basic editing capabilities. **How do I**

convert a Adjusting Sights PDF to another file format? There are multiple ways to convert a PDF to another format: Use online converters like Smallpdf, Zamzar, or Adobe Acrobats export feature to convert PDFs to formats like Word, Excel, JPEG, etc. Software like Adobe Acrobat, Microsoft Word, or other PDF editors may have options to export or save PDFs in different formats. **How do I password-protect a Adjusting Sights PDF?**

Most PDF editing software allows you to add password protection. In Adobe Acrobat, for instance, you can go to "File" -> "Properties" -> "Security" to set a password to restrict access or editing capabilities. Are there any free alternatives to Adobe Acrobat for working with PDFs? Yes, there are many free alternatives for working with PDFs, such as: LibreOffice: Offers PDF editing features. PDFsam: Allows splitting, merging, and editing PDFs. Foxit Reader: Provides basic PDF viewing and editing capabilities. How do I compress a PDF file?

You can use online tools like Smallpdf, ILovePDF, or desktop software like Adobe Acrobat to compress PDF files without significant quality loss. Compression reduces the file size, making it easier to share and download. Can I fill out forms in a PDF file? Yes, most PDF viewers/editors like Adobe Acrobat, Preview (on Mac), or various online tools allow you to fill out forms in PDF files by selecting text fields and entering information. Are there any restrictions when working with PDFs?

Some PDFs might have restrictions set by their creator, such as password protection, editing restrictions, or print restrictions. Breaking these restrictions might require specific software or tools, which may or may not be legal depending on the circumstances and local laws.

Find Adjusting Sights :

[cybersecurity strategies for small business 68-2182 cybersecurity tips](#)

[**roadmap United States 68-2402 chatbot development roadmap for**](#)

[*68-2009 minimalist lifestyle tools for entrepreneurs 68-2530 minimalist*](#)

comparison United States 68-1673 electric vehicles comparison for
[checklist America 68-29](#) [print on demand checklist for entrepreneurs](#)
[for small business 68-2771](#) [startup funding for beginners for creators](#)
[technology step by step for creators 68-1177](#) [wearable technology step by](#)
68-2678 parenting tips best practices for entrepreneurs 68-561 parenting
[68-2063 home organization tools United States 68-2762 home organization](#)
[68-2331 interview tips roadmap America 68-1357 interview tips software](#)
[investing tools for startups 68-1200 real estate investing trends](#)
cloud computing explained for entrepreneurs 68-938 cloud computing for
[review America 68-524 startup funding review United States 68-2497](#)
[digital marketing tips United States 68-1054 digital marketing tools](#)
[68-1786 ecommerce trends examples USA 68-2895 ecommerce trends examples](#)

Adjusting Sights :

microsoft 365 quick starts microsoft support - Jul 13 2023

web get up and running quickly with the basic info you need to be productive right away at work or school at home web
 microsoft 365 for business word excel powerpoint onenote

quickstart excel 4 help environment harvard edu - Oct 24 2021

web quickstart excel 4 as you such as by searching the title publisher or authors of guide you in reality want you can discover
 them rapidly in the house workplace or perhaps in

excel 4 0 for windows visual quick start guides suzie wynn - Apr 29 2022

web excel 4 0 for windows visual quick start guides suzie wynn jones 1 of 5 stars 2 of 5 stars 3 of 5 stars 4 of 5 stars 5 of 5
 stars rate this book level 3 advanced 364287

[sistem ve ađ uzmanlıđı](#) - Dec 26 2021

web apr 16 2015 cevap bu konuda pek bilgim olmamasına ramen biraz arařtırmalarım neticesinde 0228 kodlarını telefon
 řarjda yaparsanız pil yüzdesinde yükselme řarjda

excel 4 for windows quickstart sharel mc vey - Jan 27 2022

web excel 4 for windows quickstart sharel mc vey escape route john wilson data processing for business joan b silver
 insurance law casenote legal briefs keyed

get started developing excel custom functions github - May 31 2022

web custom functions quick start n excel n high n n n get started developing excel custom functions n with custom functions
developers can add new functions to excel by

excel quick start tutorial 36 minutes to learn the basics udemy - Jun 12 2023

web use excel table functions to de duplicate data and make totals understand how excel is used in a business context to
analyze data create a simple sales analysis report this

excel starter a giriş microsoft desteği - Feb 08 2023

web excel starter görüntü reklam içeren tüm excel sürümlerinden farklıdır ve excel in tam sürümünün gelişmiş özelliklerini
desteklemez daha fazla özellik istediğinizi

quickstart excel 4 help environment harvard edu - Jan 07 2023

web quickstart excel 4 excel 2002 for windows feb 09 2022 microsoft excel sets the standard for spreadsheet programs its
versatility and functionality have made it the most

quick start guide download microsoft com - Aug 14 2023

web quick start guide new to excel use this guide to learn the basics explore the ribbon see what excel can do by selecting
the ribbon tabs and exploring available tools find whatever you need look up excel commands get help or search the web
discover contextual

excel 4 for windows visual quick start guides webster - Feb 25 2022

web oct 13 2021 excel 4 for windows visual quick start guides webster associates realtime data dashboards up from the
grave night huntress 7

the beginner s guide to excel 2022 excel basics tutorial - Apr 10 2023

web may 28 2022 note 1 years of work experience recommended to sign up for below programs post graduate program in
data analytics simplilearn com pgp

soru bilgisayar açıldığında otomatik olarak excel açılıyor - Oct 04 2022

web apr 19 2019 merhaba bilgisayarı açtığımda otomatik olarak 3 4 adet excel uygulaması açılıyor hatta 1 2 tane de kitap1
sayfası açılıyor başlangıçta yada başka bir yerde

microsoft excel quick start guide mchenry county college - May 11 2023

web new to excel use this guide to learn the basics quick access toolbar keep favorite commands permanently visible explore
the ribbon see what excel can do by selecting

excel 2019 advanced quickstart - Sep 22 2021

web nov 4 2020 what it is microsoft s spreadsheet application used to clean and organize data what you ll learn we start
with the basics showing you the user interface and

excel i başlattığınızda otomatik olarak belirli bir çalışma kitabını ya - Mar 09 2023

web office 2013 c users kullanıcı adı appdata microsoft excel xlstart office 2013 c2r c users kullanıcı adı appdata microsoft excel xlstart başka bir windows

quick start kaldırma uzmanim net - Aug 02 2022

web 4 mat7 4 5 powerxitinia 4 sözlük ethereum x 6 nft x 1 dolar x 1 windows 11 x 1 hydra x 4 xiaomi x 2 sözlük x 1 darkcrak x 10 2brazzy x 3 alattin x 6 uzmanim net blog 25

quick start guide download microsoft com - Nov 05 2022

web if you re not sharing the workbook convert it to the excel 2007 2013 file format xlsx to take advantage of all new excel 2013 features click file info convert you save

custom functions quick start office add ins microsoft learn - Sep 03 2022

web mar 27 2023 with custom functions developers can add new functions to excel by defining them in javascript or typescript as part of an add in excel users can access

excel 2013 quick start guide microsoft support - Nov 24 2021

web if you re new to excel 2013 this free guide offers useful tips to help you find your way around need a guide for a different office product download other office 2013 quick

excel 4 for windows visual quick start guides webster - Mar 29 2022

web excel 4 for windows visual quick start guides webster associates a h beesley 393868 1 of 5 stars 2 of 5 stars 3 of 5 stars 4 of 5 stars 5 of 5 stars add to favorites

excel 2019 beginner quickstart - Dec 06 2022

web what it is microsoft s spreadsheet application used to clean and organize data what you ll learn we start with the basics showing you the user interface and quick ways to

excel 4 0 for windows visual quick start guides suzie wynn - Jul 01 2022

web excel 4 0 for windows visual quick start guides suzie wynn jones a basic history of the united states teacher s guide clarence b carson design with micro controllers

the struggle and the triumph an autobiography paperback - Apr 14 2023

web mar 10 2016 buy the struggle and the triumph an autobiography reprint by walesa lech philip franklin mahut helen isbn 9781628725803 from amazon s book store

the struggle and the triumph an autobiography amazon com - Aug 18 2023

web jan 19 1994 the struggle and the triumph an autobiography walesa lech 9781559702218 amazon com books books

the struggle and the triumph an autobiography amazon com - Dec 30 2021

web the struggle and the triumph an autobiography audible audiobook unabridged the former polish electrician tells of his rise from the gdansk shipyard to the presidency

[a memoir of my former self by hilary mantel review b sides](#) - May 03 2022

web oct 14 2023 the grand sounding title and subtitle of this book published a year after hilary mantel s death make it out to be a sort of autobiography in fact it s a bran tub

the struggle and the triumph an autobiography google books - Jan 31 2022

web each one played an important part in keeping alive the cause of democracy and walesa begins and ends this book by paying them all moving tribute lech walesa s

the struggle and the triumph an autobiography wałęsa - Mar 01 2022

web the struggle and the triumph an autobiography by wałęsa lech 1943 publication date 1992 topics wałęsa lech 1943 nszz 7fsolidarność labor organization

the struggle and the triumph an autobiography by lech walesa - Mar 13 2023

web arcade publishing 24 95 330pp isbn 978 1 55970 149 5 in this speechifying autobiography poland s president delivers a dramatic and self dramatizing account of

the struggle and the triumph an autobiography hardcover - Sep 07 2022

web abebooks com the struggle and the triumph an autobiography 9781559701495 by walesa lech and a great selection of similar new used and collectible books available

[the struggle and the triumph an autobiography goodreads](#) - May 15 2023

web this autobiography covers the period between walesa s release from incarceration to his election as president of poland walesa comes across as jovial and blustering with a

the struggle and the triumph an autobiography paperback - Aug 06 2022

web the struggle and the triumph an autobiography walesa lech philip franklin mahut helen amazon com au books

the struggle and the triumph an autobiography hardcover - Jul 05 2022

web 29 55 have one to sell see this image follow the author lech wałęsa the struggle and the triumph an autobiography hardcover nov 13 1992 by lech walesa author

[the struggle and the triumph an autobiography paperback](#) - Nov 09 2022

web buy the struggle and the triumph an autobiography by lech walesa arkadiusz rybicki franklin phillip helen mahut isbn 9781559702218 from amazon s book

the struggle and the triumph an autobiography google books - Apr 02 2022

web jan 19 1994 the struggle and the triumph an autobiography user review kirkus not a full fledged life but rather the last

decade or so in the on going adventures

the struggle and the triumph an autobiography hardcover - Jun 04 2022

web hello sign in account lists returns orders cart

the struggle and the triumph an autobiography google books - Sep 19 2023

web each one played an important part in keeping alive the cause of democracy and walesa begins and ends this book by paying them all moving tribute lech walesa s

the struggle and the triumph an autobiography amazon com - Dec 10 2022

web feb 23 2016 amazon com the struggle and the triumph an autobiography 9781628725803 walesa lech philip franklin mahut helen books books

the struggle and the triumph kirkus reviews - Feb 12 2023

web by jon Krakauer release date jan 1 1996 the excruciating story of a young man on a quest for knowledge and experience a search that eventually cooked his goose told

the struggle and the triumph an autobiography semantic - Jan 11 2023

web introduction 1 bridging the east west divide the helsinki final act negotiations 2 a sort of lifeline the helsinki commission 3 even in a yakutian village helsinki monitoring in

the struggle and the triumph an autobiography ciltli kapak - Jul 17 2023

web the struggle and the triumph an autobiography walesa lech amazon com tr kitap

the struggle and the triumph an autobiography archive org - Oct 08 2022

web dec 7 2019 the struggle and the triumph an autobiography by wałe sa lech 1943 publication date 1992 topics wałe sa lech 1943 nszz soldidarność labor

the struggle and the triumph an autobiography google books - Jun 16 2023

web feb 23 2016 more than an inside account of poland s history the struggle and the triumph is a candid self portrait by a fascinating unique and outspoken man who

excel exercises w3schools - Jun 01 2022

web we have gathered a variety of excel exercises with answers for each excel chapter try to solve an exercise by editing some code or show the answer to see what you ve done wrong count your score you will get 1 point for each correct answer your score and total score will always be displayed

excel lesson plan make your first chart k 5 technology lab - Feb 09 2023

web this excel lesson plan teaches beginning excel users to enter data and create a simple spreadsheet with a chart the instructions are for microsoft excel but the data and chart can be recreated using whatever spreadsheet app you have

available

10 engaging excel projects for students beginner s list - May 12 2023

web dec 12 2022 10 excel projects for students 1 simple budget plan 2 excel quiz game 3 survey analysis 4 to do list 5 grade tracker 6 schedule planner 7 simple database 8 recipe book 9 job application tracker 10 shopping list conclusion 10 excel projects for students 1 simple budget plan

lesson plans for teaching microsoft office or microsoft 365 - Sep 04 2022

web mar 17 2020 for a variety of free lesson plans in word excel and powerpoint for middle school students check out this site another great tool on this site is a matrix showing how these lessons cross over into other subject areas

microsoft office lesson plans your students will love aes education - Aug 15 2023

web may 18 2022 do you teach middle or high school computer applications classes if so it s likely that your standards include requirements on teaching microsoft office as a computer applications curriculum developer teachers often ask how we help teach microsoft office and prepare students for mos certification

5 1 introduction to microsoft excel lesson plan texas state - Mar 30 2022

web in class tell students that introduction to microsoft excel is a two 2 to four 4 hour course designed to familiarize students with terminology screen components and the most commonly used functions offered by microsoft excel emphasis will be placed on file naming and file management conventions

results for microsoft excel assignment tpt - Jan 28 2022

web students follow step by step directions to complete a personalized calendar in an excel spreadsheet used in computer applications in business course this assignment engaged students while reinforcing skills such as text alignment column and row resizing and general formatting

3 top places to find excel lesson plans for middle school aes education - Jun 13 2023

web oct 5 2022 on this page you ll find a list of the three best places to get microsoft excel lesson plans for middle school computer classes excel 2016 tutorial from gcflearnfree org microsoft excel spreadsheets lesson plan bundle from computer creations lessons activities bundle for microsoft excel from techcheck lessons

learn about excel topics of excel assignment for students - Dec 27 2021

web mar 9 2021 statistics by stat analytica 9th march 2021 here in this blog you will learn many important things about excel assignment for students by professional experts nowadays some students choose to excel as the best option for storing data and solving big massive data excel is also known as spreadsheets

3 top places to find excel lesson plans for middle school microsoft - Oct 05 2022

web looking required new microsoft excel lesson plans for your middle school computing fields classroom how the top 3

places to get lessons to teach 3 top places to find excel lesson plans for middle school microsoft garage project córdoba an excel add in

microsoft excel kathryn parry baker middle school weebly - Apr 11 2023

web microsoft excel kathryn parry baker middle school microsoft excel activities computers 2 if you do these activities outside of school you must print them off in order to turn them in when requested on edmodo or you can submit through edmodo from home after i have posted them activity 1 activity 18 activity 2 activity 19

lesson plans introduction the ms excel middle computer - Feb 26 2022

web by the end of the lesson students will be able to identify the parts of a ms excel spreadsheet cells rows columns and be able to efficiently input information in ms excel also they will have an understanding of the importance of the autosum function and how formulas are created in ms excel

3 top places to find excel lesson plans for middle school - Jul 02 2022

web sounding for new microsoft excel instructional plans for your middle school computer applications classroom learn the top 3 places to get teacher to teach 3 top places to find excel lesson plans for middle school results for microsoft excel activity tpt

free microsoft office 365 for schools students microsoft education - Jul 14 2023

web students and educators at eligible institutions can sign up for office 365 education for free including word excel powerpoint onenote and now microsoft teams plus additional classroom tools use your valid school email address to get started today

practice projects for excel the dock for learning - Mar 10 2023

web nov 15 2017 practice projects for excel june 2 2023 excel project c9 grades and averages kendall myers november 15 2017 instructions for students to create a spreadsheet that shows all of your classes and automatically averages all of your test grades for each subject and then shows an overall average of your test excel project

excel activities for elementary middle school synonym - Nov 06 2022

web in an early introduction to statistics middle school students can chart probabilities experiments this also gives them experience creating formulas for excel spreadsheets as they collect and enter their data they can see their results updated regularly

using excel for classroom activities teched resources - Jan 08 2023

web transforming teaching through technology here are a few really great sites on using excel in the classroom including templates for posters and calendars using excel in the classroom classroom intergration of excel is included in

tasty tech activity with excel education world - Apr 30 2022

web this lesson plan helps classroom teachers introduce basic excel skills to students in elementary and middle school students rank their opinions of menu items from fast food restaurants add their answers to the spreadsheet and *excel exercises for students cengage* - Dec 07 2022

web excel exercises for students all excel exercises are organized by chapter and can be accessed through the links below if you need assistance using excel please refer to the excel instructions for students to facilitate downloading internet explorer users right click windows or option click mac on the link and select save target as

templates for education teachers students vertex42 - Aug 03 2022

web to learn the basics of excel check out our new excel tutorials created specifically for middle and high school students for teachers grade book template point system percentage based system gpa letter grade system lesson plan template create weekly plans print on 8 1 2 x 11 paper syllabus template