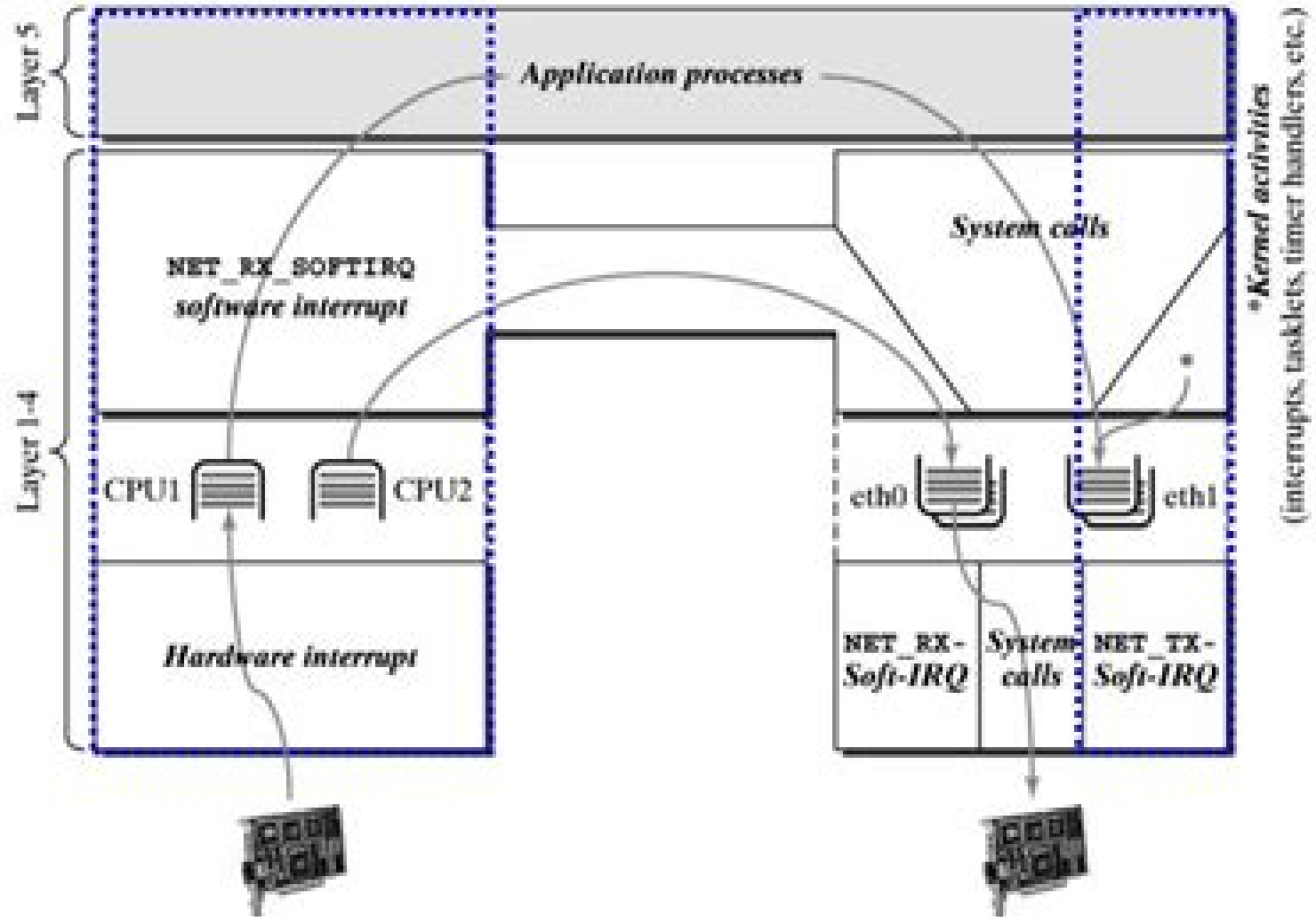


# Linux Network Activity



# Advanced Linux Networking

**Dave Bixler, Larry Chambers, Joseph  
Phillips**



## **Advanced Linux Networking:**

**Advanced Linux Networking** Roderick W. Smith, 2002 Advanced Linux Networking is designed to help users achieve a higher level of competence It focuses on powerful techniques and features of Linux networking and provides the know how needed to improve server efficiency enhance security and adapt to new requirements [Advanced Guide to Linux Networking and Security](#) Ed Sawicki, Nicholas Wells, 2006 Linux is the fastest growing operating system As the number of companies implementing Linux increases so too does the rapidly developing need for skilled users developers and administrators Advanced Guide to Linux Networking and Security was especially designed for individuals who want to move beyond just the basics of Linux installation and administration into a broader study of the many security issues surrounding this operating system With its comprehensive Linux security coverage this text can fit into any Linux Security course and is intended to follow the Complete Guide to Linux System Administration by Nick Wells *Network Programmability and Automation* Jason Edelman, Scott S. Lowe, Matt Oswalt, 2018-02-02 This practical guide shows network engineers how to use a range of technologies and tools including Linux Python JSON and XML to automate their systems through code This book will help you simplify tasks involved in configuring managing and operating network equipment topologies services and connectivity Page 4 of cover [Linux Advanced Routing and Traffic Control HOWTO](#) Gregory Maxwell, Remco Mook, Martijn Oosterhout, Paul Schroeder, Jasper Spaans, Bert Hubert, 2019-11-06 Summary This classic howto was written in 2002 but it is still a must read howto for any Linux networking professionals today Many practical examples are included in the book It is a very hands on approach to iproute2 traffic shaping policy routing and a bit of netfilter This is a book you should have on your bookshelf Table of Contents Dedication Introduction Introduction to iproute2 Rules routing policy database GRE and other tunnels IPv6 tunneling with Cisco and or 6bone IPsec secure IP over the internet Multicast routing Queueing Disciplines for Bandwidth Management Load sharing over multiple interfaces Netfilter iproute marking packets Advanced filters for re classifying packets Kernel network parameters Advanced less common queueing disciplines Cookbook Building bridges and pseudo bridges with Proxy ARP Dynamic routing OSPF and BGP Other possibilities Further reading Acknowledgements

**Network Programmability and Automation** Matt Oswalt, Christian Adell, Scott S. Lowe, Jason Edelman, 2022-06-23 Network engineers are finding it harder than ever to rely solely on manual processes to get their jobs done New protocols technologies delivery models and the need for businesses to become more agile and flexible have made network automation essential The updated second edition of this practical guide shows network engineers how to use a range of technologies and tools including Linux Python APIs and Git to automate systems through code This edition also includes brand new topics such as network development environments cloud programming with Go and a reference network automation architecture Network Programmability and Automation will help you automate tasks involved in configuring managing and operating network equipment topologies services and connectivity Through the course of the book you ll learn the basic skills and tools

you need to make this critical transition You ll learn Programming skills with Python and Go data types conditionals loops functions and more New Linux based networking technologies and cloud native environments and how to use them to bootstrap development environments for your network projects Data formats and models JSON XML YAML Protobuf and YANG Jinja templating for creating network device configurations A holistic approach to architecting network automation services The role of application programming interfaces APIs in network automation Source control with Git to manage code changes during the automation process Cloud native technologies like Docker and Kubernetes How to automate network devices and services using Ansible Nornir and Terraform Tools and technologies for developing and continuously integrating network automation

Mastering Linux Network Administration Jay LaCroix,2015-11-03 Master the skills and techniques that are required to design deploy and administer real Linux based networks About This Book Master the art of using Linux and administering network services for enterprise environments Perform hands on activities to reinforce expert level knowledge Get full coverage of both the CentOS and Debian systems including how networking concepts differ for each Who This Book Is For Mastering Linux Network Administration is recommended for those who already understand the basics of using Linux and networking and would like to push those skills to a higher level through real world Linux networking scenarios Whether you intend to run a home office consisting of Linux nodes or a rollout of a Linux network within your organization this book is a great fit for those that desire to learn how to manage networked systems with the power of Linux What You Will Learn Install and configure the Debian and CentOS systems Set up and configure file servers Administer networked nodes remotely Discover how to monitor system performance for peak health Configure network services such as DNS and DHCP Host HTTP content via Apache Troubleshoot Linux networking issues In Detail Linux is everywhere Whether you run a home office a small business or manage enterprise systems Linux can empower your network to perform at its very best Armed with the advanced tools and best practice guidance of this practical guide you ll be able to mold Linux networks to your will empowering your systems and their users to take advantage of all that Linux based networks have to offer Understand how Linux networks function and get to grips with essential tips and tricks to manage them whether you re already managing a networks or even just starting out With Debian and CentOS as its source this book will divulge all the details you need to manage a real Linux based network With detailed activities and instructions based on real world scenarios this book will be your guide to the exciting world of Linux networking Style and approach This practical guide will walk you through all the core concepts required to manage real Linux based networks

*Network Dictionary* Javvin Wwww Networkdictionary Com,2007 Whether the reader is the biggest technology geek or simply a computer enthusiast this integral reference tool can shed light on the terms that ll pop up daily in the communications industry Computer Books Communications Networking

**Red Hat Linux Networking and System Administration** Terry Collings,Kurt Wall,2004-02-20 Updated to cover Red Hat Linux Enterprise Workstation with the latest on advanced Linux kernel features

the Tux Web server the latest Apache 2 x Web server and the expanded suite of custom configuration tools Starts with network planning and Red Hat installation and configuration then progresses to optimizing network and Internet services and monitoring and maintaining the network Examines the basics of Red Hat Linux security and offers trouble shooting and problem solving advice Includes important new chapters that focus on optimizing standard network services such as file and print services and Internet related servers such as the Apache Web server Copyright 2004 by Red Hat Inc Material from Chapters 4 6 8 10 17 and 21 may be distributed only subject to the terms and conditions set forth in the Open Publication License V1 0 or later the latest version is presently available at <http://www.opencontent.org/openpub>

*Advanced Networking Concepts Applied Using Linux on IBM System Z* Lydia Parziale, Ben Louie, Eric Marins, Tiago Santos, Srivatsan Venkatesan, 2012 This IBM Redbooks publication describes important networking concepts and industry standards that are used to support high availability on IBM System z Some of the networking standards described here are VLANs VLAN trunking link aggregation virtual switches VNICs and load balancing We examine the various aspects of network setups and introduce the main Linux on System z networking commands and configuration files We describe the management of network interface parameters assignment of addresses to a network interface and usage of the ifconfig command to configure network interfaces We provide an overview of connectivity options available on the System z platform We also describe high availability concepts and building a high availability solution using IBM Tivoli System Automation We also provide the implementation steps necessary to build a redundant network connections set up between an IBM z VM system and the external network switches using two Open Systems Adapter Express 3 OSA Express 3 adapters with 10 Gb Ethernet ports We describe the tests performed in our lab environment The objectives of these tests were to gather information about performance and failover from the perspective of a real scenario where the concepts of described in this book were applied This book is focused on information that is practical and useful for readers with experience in network analysis and engineering networks System z and Linux systems administrators especially for readers that administer networks in their day to day activities For additional reading A Technote is available that explains changes to using channel bonding interfaces introduced with SLES 11 SP 2 It can be found at <http://www.redbooks.ibm.com/abstracts/tips1000.html> Open [Mastering Linux](#) Rahul Dwivedi, 2024-11-01

**PURPOSE OF THIS BOOK** This book is written with one simple dream to make knowledge affordable and accessible for everyone Education should never be a luxury that only the rich can afford it is a right that belongs to every human being That s why this book is priced at nominal charges so that even those who cannot afford expensive courses schools or coaching can still learn grow and build their future Whether you are a Cybersecurity students App developers and Digital forensics professionals a beginner or someone curious about learning this book is designed for you so that money never becomes a barrier between you and education Because I think True power lies in knowledge and knowledge must be shared with all About Book *Mastering Linux Advanced Level* Unlock the power of professional Linux

system administration security and automation Learn advanced server management networking kernel tuning and ethical hacking with hands on labs and real world projects Perfect for IT professionals sysadmins and cybersecurity learners who want to master Linux like a pro Keywords Linux Linux book learn Linux Linux for beginners Linux guide Linux tutorial Linux commands Linux shell Linux terminal Linux basics Linux administration Linux server Linux for professionals Linux operating system Linux mastery Linux course Linux learning Linux certification Linux expert Linux command line Linux scripting Bash scripting Linux shell scripting Linux kernel Linux networking Linux system administration Ubuntu Red Hat CentOS Fedora Debian Linux tips Linux tricks Linux guidebook Linux user manual Linux programming Linux server management Linux command guide Linux system setup Linux tutorial book mastering Linux Linux for students Linux administration guide Linux commands list Linux shell guide Linux coding Linux practice Linux for IT professionals Linux system engineer Linux course book Linux desktop Linux file system Linux terminal commands Linux beginner guide Linux reference Linux advanced Linux security Linux troubleshooting Linux automation Linux DevOps Linux virtualization Linux tools Linux networking guide Linux sysadmin Linux operating system book Linux basics to advanced Linux essential commands Linux bash Linux cheat sheet Linux for developers Linux shell practice Linux learning path Linux performance Linux optimization Linux for hackers Linux certification guide Linux engineer book Linux for ethical hacking Linux kernel basics Linux system guide Linux projects Linux hands on Linux tutorial for beginners Linux notes Linux interview questions Linux practice book Linux CLI Linux terminal tips Linux shell commands Linux configuration Linux management Linux jobs Linux professional guide Linux manual Linux expert book Linux reference guide Linux training book Mastering Linux Advanced Linux Linux advanced course Linux mastery guide Linux professional book Linux system administration Linux advanced tutorial Linux expert guide Linux power user Linux for professionals Linux command line mastery Linux shell scripting advanced bash scripting expert Linux server management Linux system optimization Linux kernel guide Linux kernel tuning advanced bash commands Linux automation Linux performance tuning Linux security hardening Linux troubleshooting Linux optimization Linux networking Linux system administration book Linux sysadmin guide Linux DevOps Linux for system engineers Red Hat Enterprise Linux Ubuntu server guide CentOS administration Debian server management Fedora advanced Arch Linux mastery advanced Linux shell Linux scripting projects Linux automation scripts Linux terminal mastery Linux server security SELinux configuration iptables firewall nftables firewall Linux network configuration Linux SSH security Linux remote management advanced SSH commands Linux virtualization KVM virtualization Docker on Linux Kubernetes on Linux Linux cloud management AWS Linux administration GCP Linux Azure Linux Linux for DevOps engineers Linux for cybersecurity Linux ethical hacking Linux penetration testing Linux exploit development Linux file system internals Linux process management Linux system calls systemd deep dive Linux boot process GRUB configuration Linux dual boot Linux monitoring Linux performance tools Linux benchmarking Linux disk management LVM setup RAID configuration Linux storage optimization ext4 xfs btrfs Linux backup

and recovery rsync advanced Linux cron jobs automation with cron Linux scripting automation Linux shell loops awk sed grep advanced Linux piping and redirection Linux logs analysis journalctl dmesg syslog Linux performance monitoring htop iotop nload Linux server optimization Linux memory management swap configuration sysctl tuning Linux tuning parameters Linux debugging strace lsof netstat ss command Linux network troubleshooting traceroute dig nslookup Linux DNS configuration Linux load balancing HAProxy setup Nginx advanced Apache tuning Linux mail server Postfix Dovecot setup Linux VPN setup WireGuard OpenVPN Linux encryption LUKS configuration GPG usage OpenSSL commands Linux auditd AppArmor policies Linux security modules Linux malware detection Linux patch management kernel security updates Linux firewall configuration Linux process scheduling cgroups namespaces Linux containers Docker security Podman Kubernetes orchestration Linux system architecture Linux memory tuning Linux multitasking Linux threading Linux interprocess communication Linux daemons Linux system services Linux sysctl conf Linux security best practices Linux optimization for performance Linux server hardening Linux enterprise solutions Linux hybrid cloud Linux for administrators Linux for engineers Linux cloud integration Linux automation tools Ansible on Linux Puppet Linux Chef Linux automation Linux CI CD pipelines Jenkins on Linux Linux continuous deployment Linux system design Linux enterprise administration Linux system monitoring tools Linux kernel compilation build custom Linux compile kernel Linux source code management Linux driver development Linux API programming Linux POSIX threads Linux shell customization bashrc aliases environment variables Linux history commands Linux regex advanced grep sed and awk mastery Linux scripting interview questions Linux admin interview prep Linux professional certification RHCE LPIC 2 LPIC 3 Linux certification exam prep Linux advanced study guide Linux performance expert Linux administrator handbook Linux professional training Linux masterclass Linux reference guide Linux cheat sheet advanced Linux command list advanced Linux commands Linux productivity Linux toolkit Linux expert handbook Linux for DevOps professionals Linux infrastructure management Linux automation engineer Linux cloud engineer Linux advanced networking Linux security engineer Linux systems design Linux master tutorial Linux professional reference Linux hands on labs Linux for developers Linux deep dive Linux architecture guide Linux scripting reference Linux command reference mastering bash shell Linux advanced scripting Linux enterprise deployment Linux hybrid systems Linux configuration management

**Linux Network Servers** Craig Hunt, 2006-10-11 Authoritative Answers to All Your Linux Network Server Questions Specifically for Linux Administrators Tap into Linux's impressive capabilities as a network server Written by one of the world's leading Linux system administration experts Linux Network Servers teaches you step by step all the standard and advanced techniques you need to know to configure and administer a full range of network services from file and printer sharing to email and the Web Hundreds of clear consistent examples illustrate these techniques in detail so you stay on track and accomplish all your goals Coverage includes the following Installing Linux Understanding the boot process Working with the network interface Setting up login services Using Linux name services Configuring a mail server

Setting up Apache Web server Configuring network gateway services Configuring desktop configuration server Setting up file sharing Setting up printer services Securing your server Troubleshooting The Craig Hunt Linux Library The Craig Hunt Linux Library provides in depth advanced coverage of the key topics for Linux administrators Topics include Samba System Administration DNS Server Administration Apache Security and Sendmail Each book in the series is either written by or meticulously reviewed by Craig Hunt to ensure the highest quality and most complete coverage for networking professionals working specifically in Linux environments

**Ultimate Linux Network Security for Enterprises** Adarsh Kant, 2024-04-30

Level Up Your Security Skills with Linux Expertise Key Features Comprehensive exploration of Linux network security and advanced techniques to defend against evolving cyber threats Hands on exercises to reinforce your understanding and gain practical experience in implementing cybersecurity strategies Gain valuable insights from industry best practices to effectively address emerging threats and protect your organization's digital assets within the evolving landscape of Linux network security

**Book Description**The Ultimate Linux Network Security for Enterprises is your essential companion to mastering advanced cybersecurity techniques tailored for Linux systems The book provides a comprehensive exploration of Linux network security equipping you with the skills and knowledge needed to defend against evolving cyber threats Through hands on exercises real world scenarios and industry best practices this book empowers you to fortify your organization's networks with confidence Discover practical insights and techniques that transcend theoretical knowledge enabling you to apply effective cybersecurity strategies in your job role From understanding fundamental concepts to implementing robust security measures each chapter provides invaluable insights into securing Linux based networks Whether you are tasked with conducting vulnerability assessments designing incident response plans or implementing intrusion detection systems this book equips you with the tools and expertise to excel in your cybersecurity endeavors By the end of this book you will gain the expertise needed to stay ahead of emerging threats and safeguard your organization's digital assets What you will learn Perform thorough vulnerability assessments on Linux networks to pinpoint network weaknesses Develop and deploy resilient security incident response plans Configure and oversee sophisticated firewall and packet filtering rules Employ cryptography techniques to ensure secure data transmission and storage Implement efficient Intrusion Detection and Prevention Systems IDS IPS Enforce industry leading best practices to bolster Linux network security defenses

**Table of Contents**

- 1 Exploring Linux Network Security Fundamentals
- 2 Creating a Secure Lab Environment
- 3 Access Control Mechanism in Linux
- 4 Implementing Firewalls And Packet Filtering
- 5 Mastering Cryptography for Network Security
- 6 Intrusion Detection System and Intrusion Prevention System
- 7 Conducting Vulnerability Assessment with Linux
- 8 Creating Effective Disaster Recovery Strategies
- 9 Robust Security Incident Response Plan
- 10 Best Practices for Linux Network Security

Professionals Index

**Linux Journal**, 2005-07 *Linux Administration* Steven Graham, Steve Shah, 2003 This volume is a practical guide to Linux for systems and network administrators who are moving from Windows NT to Linux or

are experimenting with bringing Linux into their network topology [Linux Advanced System and Network Administration](#) Element K Content LLC,2005-01-01 **Advanced Networking Concepts Applied Using Linux on IBM System z** Lydia Parziale,Ben Louie,Eric Marins,Tiago Nunes dos Santos,Srivatsan Venkatesan,IBM Redbooks,2012-03-06 This IBM Redbooks publication describes important networking concepts and industry standards that are used to support high availability on IBM System z Some of the networking standards described here are VLANs VLAN trunking link aggregation virtual switches VNICs and load balancing We examine the various aspects of network setups and introduce the main Linux on System z networking commands and configuration files We describe the management of network interface parameters assignment of addresses to a network interface and usage of the ifconfig command to configure network interfaces We provide an overview of connectivity options available on the System z platform We also describe high availability concepts and building a high availability solution using IBM Tivoli System Automation We also provide the implementation steps necessary to build a redundant network connections set up between an IBM z VM system and the external network switches using two Open Systems Adapter Express 3 OSA Express 3 adapters with 10 Gb Ethernet ports We describe the tests performed in our lab environment The objectives of these tests were to gather information about performance and failover from the perspective of a real scenario where the concepts of described in this book were applied This book is focused on information that is practical and useful for readers with experience in network analysis and engineering networks System z and Linux systems administrators especially for readers that administer networks in their day to day activities For additional reading A Technote is available that explains changes to using channel bonding interfaces introduced with SLES 11 SP 2 It can be found at <http://www.redbooks.ibm.com/abstracts/tips1000.html> Open [A Practical Guide to Advanced Networking](#) Jeffrey S. Beasley,Piyasat Nilkaew,2012-11-05 A Practical Guide to Advanced Networking Third Edition takes a pragmatic hands on approach to teaching advanced modern networking concepts from the network administrator s point of view Thoroughly updated for the latest networking technologies and applications the book guides you through designing configuring and managing campus networks connecting networks to the Internet and using the latest networking technologies The authors first show how to solve key network design challenges including data flow selection of network media IP allocation subnetting and configuration of both VLANs and Layer 3 routed networks Next they illuminate advanced routing techniques using RIP IPv2 OSPF IS IS EIGRP and other protocols and show how to address common requirements such as static routing and route redistribution You ll find thorough coverage of configuring IP based network infrastructure and using powerful WireShark and NetFlow tools to analyze and troubleshoot traffic A full chapter on security introduces best practices for preventing DoS attacks configuring access lists and protecting routers switches VPNs and wireless networks This book s coverage also includes IPv6 Linux based networking Juniper routers BGP Internet routing and Voice over IP VoIP Every topic is introduced in clear easy to understand language key ideas are reinforced with working examples and hands on exercises

based on powerful network simulation software Key Pedagogical Features NET CHALLENGE SIMULATION SOFTWARE provides hands on experience with advanced router and switch commands interface configuration and protocols now including RIPv2 and IS IS WIRESHARK NETWORK PROTOCOL ANALYZER TECHNIQUES and EXAMPLES of advanced data traffic analysis throughout PROVEN TOOLS FOR MORE EFFECTIVE LEARNING including chapter outlines and summaries WORKING EXAMPLES IN EVERY CHAPTER to reinforce key concepts and promote mastery KEY TERMS DEFINITIONS LISTINGS and EXTENSIVE GLOSSARY to help you master the language of networking QUESTIONS PROBLEMS and CRITICAL THINKING QUESTIONS to help you deepen your understanding CD ROM includes Net Challenge Simulation Software and the Wireshark Network Protocol Analyzer Software examples **Sys Admin** ,2005 **MCSE Windows 2000 Network Infrastructure** Dave Bixler,Larry Chambers,Joseph Phillips,2000 Designed for advanced end users network engineers and systems administrators who are seeking to pass exams in pursuit of a Microsoft Windows certification Forthcoming Books Rose Army,2002

## Unveiling the Magic of Words: A Report on "**Advanced Linux Networking**"

In a world defined by information and interconnectivity, the enchanting power of words has acquired unparalleled significance. Their ability to kindle emotions, provoke contemplation, and ignite transformative change is really awe-inspiring. Enter the realm of "**Advanced Linux Networking**," a mesmerizing literary masterpiece penned by a distinguished author, guiding readers on a profound journey to unravel the secrets and potential hidden within every word. In this critique, we shall delve into the book's central themes, examine its distinctive writing style, and assess its profound effect on the souls of its readers.

<https://py.bijouxmedusa.com/files/virtual-library/Documents/business%20law%20keith%20abbott%208th%20edition%20suecia%20.pdf>

### **Table of Contents Advanced Linux Networking**

1. Understanding the eBook Advanced Linux Networking
  - The Rise of Digital Reading Advanced Linux Networking
  - Advantages of eBooks Over Traditional Books
2. Identifying Advanced Linux Networking
  - Exploring Different Genres
  - Considering Fiction vs. Non-Fiction
  - Determining Your Reading Goals
3. Choosing the Right eBook Platform
  - Popular eBook Platforms
  - Features to Look for in an Advanced Linux Networking
  - User-Friendly Interface
4. Exploring eBook Recommendations from Advanced Linux Networking
  - Personalized Recommendations
  - Advanced Linux Networking User Reviews and Ratings

- Advanced Linux Networking and Bestseller Lists
- 5. Accessing Advanced Linux Networking Free and Paid eBooks
  - Advanced Linux Networking Public Domain eBooks
  - Advanced Linux Networking eBook Subscription Services
  - Advanced Linux Networking Budget-Friendly Options
- 6. Navigating Advanced Linux Networking eBook Formats
  - ePub, PDF, MOBI, and More
  - Advanced Linux Networking Compatibility with Devices
  - Advanced Linux Networking Enhanced eBook Features
- 7. Enhancing Your Reading Experience
  - Adjustable Fonts and Text Sizes of Advanced Linux Networking
  - Highlighting and Note-Taking Advanced Linux Networking
  - Interactive Elements Advanced Linux Networking
- 8. Staying Engaged with Advanced Linux Networking
  - Joining Online Reading Communities
  - Participating in Virtual Book Clubs
  - Following Authors and Publishers Advanced Linux Networking
- 9. Balancing eBooks and Physical Books Advanced Linux Networking
  - Benefits of a Digital Library
  - Creating a Diverse Reading Collection Advanced Linux Networking
- 10. Overcoming Reading Challenges
  - Dealing with Digital Eye Strain
  - Minimizing Distractions
  - Managing Screen Time
- 11. Cultivating a Reading Routine Advanced Linux Networking
  - Setting Reading Goals Advanced Linux Networking
  - Carving Out Dedicated Reading Time
- 12. Sourcing Reliable Information of Advanced Linux Networking
  - Fact-Checking eBook Content of Advanced Linux Networking
  - Distinguishing Credible Sources

13. Promoting Lifelong Learning
  - Utilizing eBooks for Skill Development
  - Exploring Educational eBooks
14. Embracing eBook Trends
  - Integration of Multimedia Elements
  - Interactive and Gamified eBooks

### **Advanced Linux Networking Introduction**

Free PDF Books and Manuals for Download: Unlocking Knowledge at Your Fingertips In today's fast-paced digital age, obtaining valuable knowledge has become easier than ever. Thanks to the internet, a vast array of books and manuals are now available for free download in PDF format. Whether you are a student, professional, or simply an avid reader, this treasure trove of downloadable resources offers a wealth of information, conveniently accessible anytime, anywhere. The advent of online libraries and platforms dedicated to sharing knowledge has revolutionized the way we consume information. No longer confined to physical libraries or bookstores, readers can now access an extensive collection of digital books and manuals with just a few clicks. These resources, available in PDF, Microsoft Word, and PowerPoint formats, cater to a wide range of interests, including literature, technology, science, history, and much more. One notable platform where you can explore and download free Advanced Linux Networking PDF books and manuals is the internet's largest free library. Hosted online, this catalog compiles a vast assortment of documents, making it a veritable goldmine of knowledge. With its easy-to-use website interface and customizable PDF generator, this platform offers a user-friendly experience, allowing individuals to effortlessly navigate and access the information they seek. The availability of free PDF books and manuals on this platform demonstrates its commitment to democratizing education and empowering individuals with the tools needed to succeed in their chosen fields. It allows anyone, regardless of their background or financial limitations, to expand their horizons and gain insights from experts in various disciplines. One of the most significant advantages of downloading PDF books and manuals lies in their portability. Unlike physical copies, digital books can be stored and carried on a single device, such as a tablet or smartphone, saving valuable space and weight. This convenience makes it possible for readers to have their entire library at their fingertips, whether they are commuting, traveling, or simply enjoying a lazy afternoon at home. Additionally, digital files are easily searchable, enabling readers to locate specific information within seconds. With a few keystrokes, users can search for keywords, topics, or phrases, making research and finding relevant information a breeze. This efficiency saves time and effort, streamlining the learning process and allowing individuals to focus on extracting the information they need. Furthermore, the availability of free PDF books and manuals fosters a culture of continuous learning. By removing

financial barriers, more people can access educational resources and pursue lifelong learning, contributing to personal growth and professional development. This democratization of knowledge promotes intellectual curiosity and empowers individuals to become lifelong learners, promoting progress and innovation in various fields. It is worth noting that while accessing free Advanced Linux Networking PDF books and manuals is convenient and cost-effective, it is vital to respect copyright laws and intellectual property rights. Platforms offering free downloads often operate within legal boundaries, ensuring that the materials they provide are either in the public domain or authorized for distribution. By adhering to copyright laws, users can enjoy the benefits of free access to knowledge while supporting the authors and publishers who make these resources available. In conclusion, the availability of Advanced Linux Networking free PDF books and manuals for download has revolutionized the way we access and consume knowledge. With just a few clicks, individuals can explore a vast collection of resources across different disciplines, all free of charge. This accessibility empowers individuals to become lifelong learners, contributing to personal growth, professional development, and the advancement of society as a whole. So why not unlock a world of knowledge today? Start exploring the vast sea of free PDF books and manuals waiting to be discovered right at your fingertips.

## FAQs About Advanced Linux Networking Books

**What is a Advanced Linux Networking PDF?** A PDF (Portable Document Format) is a file format developed by Adobe that preserves the layout and formatting of a document, regardless of the software, hardware, or operating system used to view or print it. **How do I create a Advanced Linux Networking PDF?** There are several ways to create a PDF: Use software like Adobe Acrobat, Microsoft Word, or Google Docs, which often have built-in PDF creation tools. Print to PDF: Many applications and operating systems have a "Print to PDF" option that allows you to save a document as a PDF file instead of printing it on paper. Online converters: There are various online tools that can convert different file types to PDF. **How do I edit a Advanced Linux Networking PDF?** Editing a PDF can be done with software like Adobe Acrobat, which allows direct editing of text, images, and other elements within the PDF. Some free tools, like PDFescape or Smallpdf, also offer basic editing capabilities. **How do I convert a Advanced Linux Networking PDF to another file format?** There are multiple ways to convert a PDF to another format: Use online converters like Smallpdf, Zamzar, or Adobe Acrobats export feature to convert PDFs to formats like Word, Excel, JPEG, etc. Software like Adobe Acrobat, Microsoft Word, or other PDF editors may have options to export or save PDFs in different formats. **How do I password-protect a Advanced Linux Networking PDF?** Most PDF editing software allows you to add password protection. In Adobe Acrobat, for instance, you can go to "File" -> "Properties" -> "Security" to set a password to restrict access or editing capabilities. Are there any free

alternatives to Adobe Acrobat for working with PDFs? Yes, there are many free alternatives for working with PDFs, such as: LibreOffice: Offers PDF editing features. PDFsam: Allows splitting, merging, and editing PDFs. Foxit Reader: Provides basic PDF viewing and editing capabilities. How do I compress a PDF file? You can use online tools like Smallpdf, ILovePDF, or desktop software like Adobe Acrobat to compress PDF files without significant quality loss. Compression reduces the file size, making it easier to share and download. Can I fill out forms in a PDF file? Yes, most PDF viewers/editors like Adobe Acrobat, Preview (on Mac), or various online tools allow you to fill out forms in PDF files by selecting text fields and entering information. Are there any restrictions when working with PDFs? Some PDFs might have restrictions set by their creator, such as password protection, editing restrictions, or print restrictions. Breaking these restrictions might require specific software or tools, which may or may not be legal depending on the circumstances and local laws.

### **Find Advanced Linux Networking :**

[business law keith abbott 8th edition suecia](#)

[bruce lees fighting method four volume set 1 self defense techniques 2 basic training 3 skill in techniques 4 advanced techniques](#)

*bundle physics for scientists and engineers volume 2 chapters 23 46 8th student solutions manual by serway raymond a jewett john w 2010 03 04 hardcover*

[bpm basics for dummies deutsch wordpress](#)

*business analysis valuation using financial statements no cases*

~~bs-en-62676-1-1 video surveillance systems for use in~~

[business analysis and valuation using financial statements 5th edition](#)

[bridges out of poverty dartmouth hitchcock](#)

**boq format in excel for interior work pdfsdocuments2**

**bus 685 global business management laverne**

[brief report 2016 unfpa malawi](#)

[bunnacula a rabbit tale of mystery](#)

[boone kurtz contemporary business 14th edition wiley](#)

*briggs and stratton repair manual model 422707*

[business start up resource guide sbtdc](#)

**Advanced Linux Networking :**

Management: Griffin, Ricky W. - Books - Amazon Gain a solid understanding of management and the power of innovation in the workplace with Griffin's MANAGEMENT, 11E. This dynamic book, known for its ... Management-by-Ricky-W.-Griffin.pdf Cengage Learning's CourseMate helps you make the most of your study time by accessing everything you need to succeed in one place. • An Interactive eBook with. Management - Ricky W. Griffin Feb 16, 2012 — This latest edition builds on proven success to help your students strengthen their management skills with an effective balance of theory and ... Management 11th Edition Principals and Practices Ricky ... Management 11th Edition Principals and Practices Ricky Griffin College Textbook - Picture 1 of 2 · Management 11th Edition Principals and Practices Ricky Griffin ... Management 11th edition (9781111969714) This book's reader-friendly approach examines today's emerging management topics, from the impact of technology and importance of a green business environment ... Management: Principles and Practices - Ricky W. Griffin Gain a solid understanding of management and the power of innovation in the workplace with Griffin's MANAGEMENT: PRINCIPLES AND PRACTICES, 11E, ... Ricky W. GRIFFIN ... Griffin/Moorhead's Organizational Behavior: Managing People and Organizations, 11th. ISBN 9781133587781 (978-1-133-58778-1) Cengage Learning, 2014. Find This ... Management Principles Practices by Ricky Griffin MANAGEMENT: PRINCIPLES AND PRACTICES, INTERNATIONAL EDITION, 10TH: Ricky W. ... ISBN 13: 9780538467773. Seller: Follow Books FARMINGTON HILLS, MI, U.S.A.. Seller ... Ricky W Griffin | Get Textbooks Organizational Behavior(11th Edition) Managing People and Organizations by Ricky W. Griffin, Gregory Moorhead Hardcover, 624 Pages, Published 2013 by ... Books by Ricky Griffin Management(11th Edition) (MindTap Course List) by Ricky W. Griffin Hardcover, 720 Pages, Published 2012 by Cengage Learning ISBN-13: 978-1-111-96971-4, ISBN ... Groundwater Hydrology TODD and MAYS PDF Groundwater Hydrology TODD and MAYS.pdf - Free ebook download as PDF File (.pdf) or read book online for free. Example 1 (Example 3.3.4 Todd and Mays, Groundwater ... Oct 21, 2021 — Question: Example 1 (Example 3.3.4 Todd and Mays, Groundwater Hydrology 3rd Edition) The Figure shows the cross section of an unconfined aquifer ... [PDF] Groundwater Hydrology By David Keith Todd, Larry ... Mays - Our understanding of the occurrence and movement of water under the Earth's surface is constantly advancing, with new models, improved drilling equipment ... Groundwater Hydrology - David Keith Todd, Larry W. Mays Special focus is placed on modern groundwater modeling methods, including a detailed description of MODFLOW. Intended Courses: Departments of Civil and ... Solution manual Groundwater Hydrology (3rd Ed., David ... Jan 30, 2018 — Solution manual Groundwater Hydrology (3rd Ed., David Keith Todd & Larry Mays) ... Solution manual Practical Problems in Groundwater Hydrology ... Groundwater Hydrology by D.K.Todd Groundwater Hydrology by D.K.Todd. Groundwater Hydrology by D.K.Todd. Groundwater ... Hydrology Solutions for Volume : I Classroom Practice Questions Missing ... Ground-water studies: an international guide for research ... Ground-water studies: an international guide for research and practice. Person as author : Brown, R.H.. Parent : Studies and reports

in hydrology. Groundwater Hydrology: Third Edition | PDF | Aquifer ... Groundwater. Hydrology. Third Edition. David Keith. Todd. University. o. California. Berkeley. and. Todd. Engineers. Larry. W. Mays ... groundwater. knowledge. Groundwater studies: an international guide for ... Groundwater studies: an international guide for hydrogeological investigations. Person as author : Kovalevsky, Vlademir S. Person as author : Kruseman, ... RESOURCES (Gr. 5) - MS. TRACY BEHL 4A - Weebly RESOURCES (Grade 5). MATH MAKES SENSE 5. MMS5 Practice & Homework Book - mms5\_practice\_\_homework\_book.pdf. MMS5 Textbook - msciezki.weebly.com/math-5.html. Math Makes Sense Grade 5 Answer Book Math Makes Sense Grade 5 Answer Book. \$12.99. Math Makes Sense Grade 5 Answer Book quantity. Add to cart. SKU: MAGENPEA05C Category: Math Makes Sense Tag: ... Math 5 - Ms. Ciezki's Grade 5 Website Math Makes Sense 5 Textbook: Unit 1 - Patterns and Equations · Unit 2 - Whole Numbers · Unit 3 - Multiplying and Dividing Whole Numbers Answers Math Makes Sense 5 PG 45-47 | PDF answers math makes sense 5 pg 45-47 - Free download as Word Doc (.doc / .docx), PDF File (.pdf), Text File (.txt) or read online for free. Answer key for Math Makes Sense 5 Practice and ... Read 3 reviews from the world's largest community for readers. Answer Key for Math Makes Sense 5 Practice and Homework Book. math makes sense grade 5 workbook answers Math is the study of numbers, shapes, and patterns.. 956 006 c) math makes sense 6 textbook Gr5 Math Makes Sense Math Textbook Answers Pdf - BYU. Books by ... Math Makes Sense - Pearson WNCP Edition, Grade 5 ... Read reviews from the world's largest community for readers. Answer Key for Math Makes Sense - 5, Student Text Book, Pearson WNCP and Atlantic Edition. All... Grade 5 Math - Ms. Benson's Div. 6 Choose Kind! Home · LOG IN · Grade 4 Math · Grade 5 Math · ADST · News and Research Links ... Reading free Gr5 math makes sense math textbook ... Apr 11, 2023 — Math Makes Sense Common Sense Mathematics: Second Edition Math Makes Sense 5: v.2. Math makes sense 5 practice and homework book, teacher's.