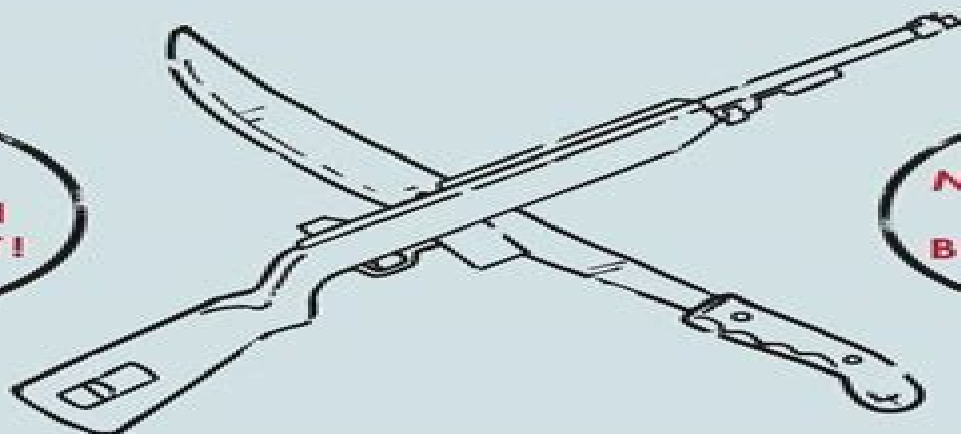


THE
ZOMBIE
SURVIVAL GUIDE

COMPLETE PROTECTION
FROM THE LIVING DEAD

ONE
MILLION
IN PRINT!



NEW YORK
TIMES
BESTSELLER

MAX BROOKS

Zombie Survival Book

Jin-Ying Zhang



Zombie Survival Book:

Thank you very much for reading **Zombie Survival Book**. As you may know, people have search hundreds times for their favorite readings like this Zombie Survival Book, but end up in infectious downloads.

Rather than enjoying a good book with a cup of coffee in the afternoon, instead they are facing with some harmful bugs inside their desktop computer.

Zombie Survival Book is available in our digital library an online access to it is set as public so you can download it instantly. Our books collection spans in multiple locations, allowing you to get the most less latency time to download any of our books like this one.

Merely said, the Zombie Survival Book is universally compatible with any devices to read

<https://py.bijouxmedusa.com/results/Resources/default.aspx/physical%20geography%2010th%20edition%20peterson%20in%20south%20africa.pdf>

Table of Contents Zombie Survival Book

1. Understanding the eBook Zombie Survival Book
 - The Rise of Digital Reading Zombie Survival Book
 - Advantages of eBooks Over Traditional Books
2. Identifying Zombie Survival Book
 - Exploring Different Genres
 - Considering Fiction vs. Non-Fiction
 - Determining Your Reading Goals
3. Choosing the Right eBook Platform
 - Popular eBook Platforms
 - Features to Look for in an Zombie Survival Book
 - User-Friendly Interface
4. Exploring eBook Recommendations from Zombie Survival Book
 - Personalized Recommendations

- Zombie Survival Book User Reviews and Ratings
- Zombie Survival Book and Bestseller Lists
- 5. Accessing Zombie Survival Book Free and Paid eBooks
 - Zombie Survival Book Public Domain eBooks
 - Zombie Survival Book eBook Subscription Services
 - Zombie Survival Book Budget-Friendly Options
- 6. Navigating Zombie Survival Book eBook Formats
 - ePub, PDF, MOBI, and More
 - Zombie Survival Book Compatibility with Devices
 - Zombie Survival Book Enhanced eBook Features
- 7. Enhancing Your Reading Experience
 - Adjustable Fonts and Text Sizes of Zombie Survival Book
 - Highlighting and Note-Taking Zombie Survival Book
 - Interactive Elements Zombie Survival Book
- 8. Staying Engaged with Zombie Survival Book
 - Joining Online Reading Communities
 - Participating in Virtual Book Clubs
 - Following Authors and Publishers Zombie Survival Book
- 9. Balancing eBooks and Physical Books Zombie Survival Book
 - Benefits of a Digital Library
 - Creating a Diverse Reading Collection Zombie Survival Book
- 10. Overcoming Reading Challenges
 - Dealing with Digital Eye Strain
 - Minimizing Distractions
 - Managing Screen Time
- 11. Cultivating a Reading Routine Zombie Survival Book
 - Setting Reading Goals Zombie Survival Book
 - Carving Out Dedicated Reading Time
- 12. Sourcing Reliable Information of Zombie Survival Book
 - Fact-Checking eBook Content of Zombie Survival Book

- Distinguishing Credible Sources
13. Promoting Lifelong Learning
- Utilizing eBooks for Skill Development
 - Exploring Educational eBooks
14. Embracing eBook Trends
- Integration of Multimedia Elements
 - Interactive and Gamified eBooks

Zombie Survival Book Introduction

In this digital age, the convenience of accessing information at our fingertips has become a necessity. Whether its research papers, eBooks, or user manuals, PDF files have become the preferred format for sharing and reading documents. However, the cost associated with purchasing PDF files can sometimes be a barrier for many individuals and organizations. Thankfully, there are numerous websites and platforms that allow users to download free PDF files legally. In this article, we will explore some of the best platforms to download free PDFs. One of the most popular platforms to download free PDF files is Project Gutenberg. This online library offers over 60,000 free eBooks that are in the public domain. From classic literature to historical documents, Project Gutenberg provides a wide range of PDF files that can be downloaded and enjoyed on various devices. The website is user-friendly and allows users to search for specific titles or browse through different categories. Another reliable platform for downloading Zombie Survival Book free PDF files is Open Library. With its vast collection of over 1 million eBooks, Open Library has something for every reader. The website offers a seamless experience by providing options to borrow or download PDF files. Users simply need to create a free account to access this treasure trove of knowledge. Open Library also allows users to contribute by uploading and sharing their own PDF files, making it a collaborative platform for book enthusiasts. For those interested in academic resources, there are websites dedicated to providing free PDFs of research papers and scientific articles. One such website is Academia.edu, which allows researchers and scholars to share their work with a global audience. Users can download PDF files of research papers, theses, and dissertations covering a wide range of subjects. Academia.edu also provides a platform for discussions and networking within the academic community. When it comes to downloading Zombie Survival Book free PDF files of magazines, brochures, and catalogs, Issuu is a popular choice. This digital publishing platform hosts a vast collection of publications from around the world. Users can search for specific titles or explore various categories and genres. Issuu offers a seamless reading experience with its user-friendly interface and allows users to download PDF files for offline reading. Apart from dedicated platforms, search engines also play a crucial role in finding free PDF files. Google, for instance, has an advanced search

feature that allows users to filter results by file type. By specifying the file type as "PDF," users can find websites that offer free PDF downloads on a specific topic. While downloading Zombie Survival Book free PDF files is convenient, its important to note that copyright laws must be respected. Always ensure that the PDF files you download are legally available for free. Many authors and publishers voluntarily provide free PDF versions of their work, but its essential to be cautious and verify the authenticity of the source before downloading Zombie Survival Book. In conclusion, the internet offers numerous platforms and websites that allow users to download free PDF files legally. Whether its classic literature, research papers, or magazines, there is something for everyone. The platforms mentioned in this article, such as Project Gutenberg, Open Library, Academia.edu, and Issuu, provide access to a vast collection of PDF files. However, users should always be cautious and verify the legality of the source before downloading Zombie Survival Book any PDF files. With these platforms, the world of PDF downloads is just a click away.

FAQs About Zombie Survival Book Books

How do I know which eBook platform is the best for me? Finding the best eBook platform depends on your reading preferences and device compatibility. Research different platforms, read user reviews, and explore their features before making a choice. Are free eBooks of good quality? Yes, many reputable platforms offer high-quality free eBooks, including classics and public domain works. However, make sure to verify the source to ensure the eBook credibility. Can I read eBooks without an eReader? Absolutely! Most eBook platforms offer web-based readers or mobile apps that allow you to read eBooks on your computer, tablet, or smartphone. How do I avoid digital eye strain while reading eBooks? To prevent digital eye strain, take regular breaks, adjust the font size and background color, and ensure proper lighting while reading eBooks. What the advantage of interactive eBooks? Interactive eBooks incorporate multimedia elements, quizzes, and activities, enhancing the reader engagement and providing a more immersive learning experience. Zombie Survival Book is one of the best book in our library for free trial. We provide copy of Zombie Survival Book in digital format, so the resources that you find are reliable. There are also many Ebooks of related with Zombie Survival Book. Where to download Zombie Survival Book online for free? Are you looking for Zombie Survival Book PDF? This is definitely going to save you time and cash in something you should think about.

Find Zombie Survival Book :

physical geography 10th edition peterson in south africa

pilot valves asco

physics giancoli 7th edition solutions chapter 16

plan de afaceri magazin alimentar riscu

pic basic projects 30 projects using pic basic and pic basic pro

playing latin piano a new way to learn the samba and the bossa nova bk cd

~~plot in aminata by francis imbuga~~

poclair 60p 60cl 75p 75cl 90p 90ck 90cl 115p 115cl 160ck 220cl 220ck 300ck 400ck 600ck 1000ck workshop service repair manual 1

personality development elizabeth b hurlock

pic microcontrollers the basics of c programming language

peter pan vocal score

~~pocket atlas of dermatology 2nd edition revised and expanded~~

photocopiable oxford university press explorers 3

physics 101 problems solution

~~pogil photosynthesis ap bio answers~~

Zombie Survival Book :

english 12 macbeth act 1 selection test flashcards quizlet - Aug 04 2023

web based upon the information in act 1 what can you infer about king duncan tortured ambivalence which of the following best describes macbeth s feelings about the possible assassination of king duncan

macbeth act 1 test flashcards quizlet - Jan 29 2023

web macdonwald was a traitor and betrayed duncan in battle name four predictions made by the witches when they greet macbeth and banquo 1 macbeth will be thane of cawdor 2 macbeth will be king 3 banquo won t be king but his offspring will be kings

the tragedy of macbeth act i test review 108 plays quizizz - Mar 31 2023

web 50 questions copy edit show answers see preview multiple choice 1 minute 1 pt ross reports that the invading king of norway and the rebel thane of cawdor were challenged and defeated by duncan macbeth angus lennox multiple choice 1 minute 1 pt what kind of force are the witches internal force external force intellectual force merciless force

the tragedy of macbeth act 1 selection test answer key - Oct 06 2023

web dec 10 2022 answer metaphysical after macbeth s first victory the norwegian lord with arms and new supplies of men

began a fresh assault answer furbished my malcolm says to duncan answer liege macbeth calls the predictions a greeting answer prophetic

macbeth act 1 multiple choice and short answer quiz tpt - Sep 24 2022

web the quiz features 10 multiple choice questions on the above concepts 1 point each and 5 short answer questions applied to william shakespeare s classic macbeth the quiz totals to 20 points and can be used in combination with the other act quizzes to total to 100 points

the tragedy of macbeth act 1 flashcards quizlet - Jun 02 2023

web top creator on quizlet terms in this set 23 valor marked by courage or bravery treasons betrays of one s country or oath of loyalty imperial of an empire having supreme authority liege lord or king sovereign supreme in power rank or authority duncan king of scotland malcolm and donalbain duncan s sons fleance banquets son siward

the tragedy of macbeth act 1 selection test answer key i - Jul 23 2022

web dec 10 2022 based upon the company in act 1 what could you infer about king duncan answer he places a high select on bravery and constancy whatever of who following best describes macbeth s feelings concerning this possible assassination of king

macbeth act 1 scenes 1 4 quiz quick quiz sparknotes - Jul 03 2023

web quick quizzes act 1 scenes 1 4 quiz 1 of 5 who is the king when the play starts duncan malcom cawdor macduff 2 of 5 whom does macbeth defeat in battle duncan s armies king edward s english army the armies of norway and ireland banquo 3 of 5 what do the witches prophesy macbeth will be king and his sons will inherit the throne

macbeth act i selection test flashcards quizlet - Sep 05 2023

web study with quizlet and memorize flashcards containing terms like central theme of act 1 of macbeth why did shakespeare write in blank verse what is macbeth s tragic flaw and more

macbeth act 1 quiz teaching resources - Dec 28 2022

web jun 15 2023 looking for macbeth act 1 quiz questions and answers test your knowledge with these 10 key questions covering characters prophecies motivations and pivotal events in shakespeare s macbeth act 1 enhance your understanding of the play and prepare for your assessment with these ready to use quiz questions and accurate

the tragedy of macbeth act 1 selection test answers - May 21 2022

web enter the realm of the tragedy of macbeth act 1 selection test answers a mesmerizing literary masterpiece penned by a distinguished author guiding readers on a profound journey to unravel the secrets and potential hidden within every word

the tragedy of macbeth act 1 selection test answer key i - Mar 19 2022

web dec 10 2022 what is the central view for act 1 answer betrayal available which of the following reasons did shakespeare

probably choose to write macbeth included blank verse answer to create an effect of unaffected speech whichever appears to be macbeth s character mistakes replies a lust for energy

[macbeth act 1 test 3 5k plays quizzz](#) - Feb 27 2023

web macbeth will bribe the guards with money and titles in order to hire them to kill the king at night lady macbeth will get the guards drunk and then macbeth will kill the king in his sleep with their daggers macbeth s soldiers will come to the banquet disguised as robbers where they will murder duncan and malcolm

[macbeth questions answers sparknotes](#) - May 01 2023

web while macbeth s motive is unclear it is suggested that macbeth kills king duncan s two chamberlains in an act of fear and horror lady macbeth s original plan is to get king duncan s chamberlains so drunk that they pass out and then frame them for king duncan s murder by having macbeth leave two bloody daggers in their hands

[the tragedy of macbeth act 1 selection test answer key i](#) - Nov 26 2022

web dec 10 2022 what important role do the witches sport in act 1 answer they foreshadow events based based the information in act 1 what can yourself deducing about king duncan answer he spots a high value on bravery and devotion which of the following best describes macbeth s my about who feasible assassination of king

[the tragedy a macbeth act 1 selection test answer key i](#) - Jun 21 2022

web dec 10 2022 answer it has ten sylves with the stress falling on every second syllable what important role take the witches play in act 1 answer they foreshadow events based upon the information in act 1 what can you deduce about king duncan answer i places a high value on braver plus loyalty

macbeth act 1 test docx name date the tragedy of - Aug 24 2022

web name date the tragedy of macbeth act i william shakespeare first read comprehension identify the choice that best answers the question 1 in act i of the tragedy of macbeth how does macbeth become the thane of cawdor a he receives the title from the king after defeating the previous thane of cawdor in battle b

tragedy macbeth act 1 selection test answers full pdf - Feb 15 2022

web 1 tragedy macbeth act 1 selection test answers ultimate psychometric tests jul 15 2022 are you faced with an upcoming psychometric test as part of a job application do you want to practise your technique and perfect your score the best selling ultimate psychometric tests now in its fourth edition is

[macbeth act 1 quiz answer key exam social](#) - Oct 26 2022

web macbeth act 1 test literature quiz quizzz he had hoped to be wholly cured of it by the death of banquo and fleance but with the news of the latter s escape his fit of fear attacks him again i had else been perfect i would otherwise i by banquo s death macbeth is at least relieved of his present fears

tragedy macbeth act 1 selection test answers - Apr 19 2022

web tragedy macbeth act 1 selection test answers essay writing service essayerudite com custom writing may 5th 2018 we provide excellent essay writing service 24 7 enjoy proficient essay writing and custom writing services provided by professional academic writers culture music tv amp radio books film art dance

dps gurgaon - Dec 13 2022

web delhi public school student alumni network click here for details admission for pre nursery and nursery 2024 25 is closed transfer cases may write to the director principal at principal dpsgurgaon org

task for parents schools in delhi begin nursery admission - Jul 20 2023

web registration for admission starts this week new delhi the registration process for admissions to nursery kindergarten kg and class i under the general category in private schools in the

delhi public school preet vihar hapur - Oct 11 2022

web oct 20 2023 delhi public school hapur is a part of the organisation providing the best education since last 63 years and having more than 200 branches in india and abroad it is one of the top schools in india established in 2004 at preet vihar delhi road in the hapur district of uttar pradesh

nursery admission delhi nursery schools admission to start from - Apr 17 2023

web 2 days ago private schools in delhi have released their nursery admission criteria with proximity to the school being given priority the registration process for nursery kg and class i seats for the general category will start on thursday and end on december 15 the admissions for economically weaker section disadvantaged category will be conducted

delhi nursery admissions to kick off this week distance key decider - Oct 23 2023

web nov 21 2023 most schools will conduct the registration process online and the first list will be released on january 12 2024 new delhi the private schools in the city released their nursery admission

delhi nursery admission 2024 25 for open seats starts today - Jan 14 2023

web 1 day ago delhi nursery admission 2024 25 directorate of education doe delhi has started from today i e thursday november 23 2023 receiving online application for nursery school admission 2024 25 open

delhi public school indirapuram ghaziabad - Aug 09 2022

web d p s indirapuram holiday homework class nursery 2019 20 dear parents we hope the children enjoyed their first spell in school as much as we enjoyed getting to know them the school is a second home hope our children have started feeling at home in school by now it s vacation time

nursery admission 2021 2022 delhi public school r k puram - Nov 12 2022

web feb 17 2021 for the session 2021 2022 for junior schools of dps r k puram at vasant vihar east of kailash registration

admission process general category open seats registration for ews dg children with disability will be online on the doe website as and when the dates are announced by the directorate of education 1

syllabus delhi public school bulandshahr - Jun 07 2022

web delhi public school yamunapuram bulandshahr u p pin code 203001 ph no 91 7536066683

delhi public school jaipur - Mar 04 2022

web holiday homework class pre nursery class nursery class prep class i class ii class iii class iv class v

nursery admission 2024 2025 delhi public school r k puram new delhi - Sep 22 2023

web nov 20 2023 for the session 2024 2025 for junior schools of dps r k puram at vasant vihar east of kailash registration admission process general category open seats registration for ews dg children with disability will be online on the doe website as and when the dates are announced by the directorate of education

delhi nursery admission 2024 registration begin tomorrow - Jul 08 2022

web 1 day ago delhi nursery admission 2024 the directorate of education will begin the delhi nursery admission 2024 25 registration process tomorrow november 23 2023 the registrations will commence for the

delhi nursery admission 2024 25 criteria releasing today - Feb 15 2023

web nov 20 2023 directorate of education delhi doe is set to start delhi nursery admission 2024 25 process today i e monday november 20 2023 with the release of the admission criteria that includes age

nursery schools in delhi with fee structure and admission - May 06 2022

web a child s future very much depends on the root planted in the beginning so it is primitive to find a good school for nursery admission the delhi government on monday released a circular stating that the admission to private nursery schools for the academic year 2023 24 in the national capital and the ncr region will commence from 1 december

delhi public school digboi - Apr 05 2022

web this global network of over 233 english medium co educational secular schools provides education from pre nursery nursery to class xii the dps family with its transcontinental identity is not merely a list of institutions persons or facts it is a network of values systems and relationships shri b k chaturvedi chairperson smc dps digboi

downloads delhi public school jammu - Jun 19 2023

web holiday homework june 2022 23 download nursery holiday homework june 2022 23 class nursery holiday homework june 2022 23 download prenursery holiday homework june 2022 23 class pre nursery holiday homework june 2022 23 download 5th holiday homework june 2021 22

delhi nursery admissions 2023 24 distance between school and - Sep 10 2022

web 2 days ago furthermore delhi public school mathura road intricately divides its points system offering 70 points to

applicants residing within a 10km radius and 60 points for those residing between 10

delhi public school aligarh holiday homework session 2022 23 class nursery - May 18 2023

web delhi public school aligarh holiday homework session 2022 23 class nursery summer is messy summer is fun trips to the beach in the hot hot sun let s give summer a big fat cheer summer is the best time of the year dear parents greetings from dps fraternity children are born with natural curiosity and

delhi nursery admission 2023 check admission procedure schools - Mar 16 2023

web aug 23 2023 today delhi public school is a co educational day cum boarding school with 15 acres of lush green lawns in the city s heart a school prepares students for the all india senior school certificate examination aissce which the cbse conducts delhi nursery admission in delhi public school mathura road fill out the online

class nursery dps amravati - Aug 21 2023

web name class nursery sub english session 2022 23 skill t fine motor skills fun with colourful scribbling delhi public school amravati assignment name class nursery sub evs session 2022 23 colour t who are you boy girl w ø ç i

a tale of two tribal nations throughline npr - Dec 14 2020

the cod s tale by mark kurlansky john mcdonough barnes - Nov 05 2022

web product details price 8 99 publisher puffin books publish date september 04 2014 pages 48 dimensions 10 8 x 9 26 x 0 21 inches 0 46 pounds language english

knowing me knowing you the tale of evolving identities forbes - Jan 15 2021

web accessible to middle grade readers the cod s tale considers how the cod fits into human history excellent ink drawings brightened with colorful washes illustrate

hurricane lee to push unusual cape cod bay surge weather - Feb 13 2021

web 21 hours ago 43 seconds ago in this story louisville cardinals indiana hoosiers louisville ky louisville 2 0 1 0 acc is set to face indiana 1 1 0 1 big ten on

an oldenburg fairytale tale how uppercut director torsten - Jul 21 2021

web sep 12 2023 hurricane lee a giant bowling ball of windy chaos is expected to be near cape cod on saturday the big question is how close the powerful storm will come to

the cod s tale a biography of the fish that changed - Jun 12 2023

web based on mark kurlansky s new york times bestselling adult book cod this picture book offers a unique look at over a thousand years of world history breezy kid friendly

the cod s tale hardcover september 10 2001 - Jul 13 2023

web kurlansky the cod s tale offers an urgent account of the problems that threaten the world s oceans and could result in the commercial extinction of key species of fish in the

hurricane lee seen heading toward cape cod weather watch - Aug 22 2021

web 2 days ago the other black girl is part satirical white ignorance comedy part horror a tale of why we code switch devices like flicking fluorescent lights though heavy

the cod s tale audible audiobook unabridged amazon com - Dec 26 2021

web 20 hours ago doyle rice francisco guzman usa today eastern new england was bracing thursday morning for the arrival of hurricane lee which was expected to bring

the cod s tale mark kurlansky free download borrow and - Aug 14 2023

web sep 10 2001 the cod s tale mark kurlansky free download borrow and streaming internet archive by mark kurlansky publication date 2001 09 10 publisher putnam

the cod s tale by eileen spinelli mark kurlansky publishers - May 11 2023

web aug 30 2023 the cod s tale by mark kurlansky and s d schindler accessible to middle grade readers the cod s tale considers read more 7 total resources 2

the other black girl review workplace thriller mixes satire with - May 19 2021

web 19 hours ago tropical storm and hurricane watches reach from rhode island to nova scotia lee s size and path will lead to some far reaching effects said rob carolan

the cod s tale google books - Oct 12 2020

hurricane lee path tracker new england bracing for heavy rain - Sep 22 2021

web 2 days ago a tale of two immigration amnesties reagan signed legislation after a bipartisan debate in congress biden simply pretends there s no border wonder land

the cod s tale a biography of the fish that changed the - Aug 02 2022

web arama yapmak istediğiniz kategoriye seçin

teachingbooks the cod s tale - Mar 09 2023

web sep 1 2001 the cod s tale by mark kurlansky illustrated by s d schindler release date sept 1 2001 an awesome introduction for young readers to the

a tale of two immigration amnesties wsj the wall street - Jun 19 2021

web 2 days ago sept 12 reuters when director and writer matthew a cherry started a crowdsourced fund in 2017 for his animated short film hair love he could not have

[the cod s tale by mark kurlansky audiobook audible com](#) - May 31 2022

web jul 15 2002 the cod s tale by mark kurlansky overdrive ebooks audiobooks and more for libraries and schools media the cod s tale audiobook unabridged by mark

the cod s tale a biography of the fish that changed the world - Jul 01 2022

web the cod s tale by mark kurlansky 2014 09 04 mark kurlansky amazon com tr kitap ana içeriğe atla com tr merhaba teslimat adresini seçin kitaplar arama yapmak

[the cod s tale penguin random house](#) - Apr 10 2023

web sep 4 2014 the cod s tale considers how the cod fits into human history excellent ink drawings brightened with colorful washes illustrate incidents from the text with clarity a

the cod s tale mark kurlansky google books - Oct 04 2022

web buy the cod s tale a biography of the fish that changed the world by kurlansky mark schindler s d online on amazon ae at best prices fast and free shipping free returns

the cod s tale a biography of the fish that changed the world - Feb 08 2023

web available in audiobook digital the cod is a large ugly fish that spends its life with its big mouth wide open for food for centuries so many cod the cod s tale by mark

the cod s tale a biography of the fish that changed the world - Jan 27 2022

web the cod s tale a biography of the fish that changed the world kurlansky mark schindler s d amazon sg books

the cod s tale overdrive - Feb 25 2022

web 4 3 12 ratings see all formats and editions hardcover returns policy secure transaction excellent ink drawings brightened with colorful washes illustrate incidents

[tale of the tape predictions louisville vs indiana](#) - Nov 12 2020

the cod s tale by mark kurlansky 2014 09 04 kağıt kapak - Mar 29 2022

web the cod s tale audible audiobook unabridged mark kurlansky author john mcdonough narrator recorded books publisher 0more

the cod s tale hardcover import 10 september 2001 - Nov 24 2021

web sep 11 2023 hurricane lee has grown back into a category 3 storm with 120 mile per hour winds about 650 miles south southeast of bermuda it is forecast to get a little

from hair love to young love a black family s animated tv tale - Mar 17 2021

web 1 day ago a tale of two tribal nations september 14 2023 12 10 am et by anya steinberg sequoia carrillo rund abdefatah

ramtin arablouei cristina kim

the cod s tale a biography of the fish that changed the world - Oct 24 2021

web sep 14 2023 an oldenburg fairytale tale how uppercut director torsten ruether adapted his own german film and got ving rhames to star he opened oldenburg in

hurricane lee nears cape cod track still uncertain high seas likely - Apr 17 2021

web 1 day ago be transparent about what you will do with any information you truly require execute it all in a seamless way that creates a great customer experience there s no

the cod s tale kurlansky mark amazon com tr kitap - Apr 29 2022

web hello sign in account lists returns orders cart

the cod s tale by mark kurlansky open library - Jan 07 2023

web the cod s tale mark kurlansky putnam s 2001 atlantic cod 43 pages 1 review reviews aren t verified but google checks for and removes fake content when it s

listen free to cod s tale by mark kurlansky with a free trial - Sep 03 2022

web the cod s tale by mark kurlansky narrated by john mcdonough length 52 mins 4 8 6 ratings try for 0 00 prime member exclusive pick 2 free titles with trial pick 1 title

the cod s tale kirkus reviews - Dec 06 2022

web jan 18 2013 the cod s tale written by mark kurlansky narrated by john mcdonough audiobook club unabridged audiobook play free with a 30 day free trial add to cart