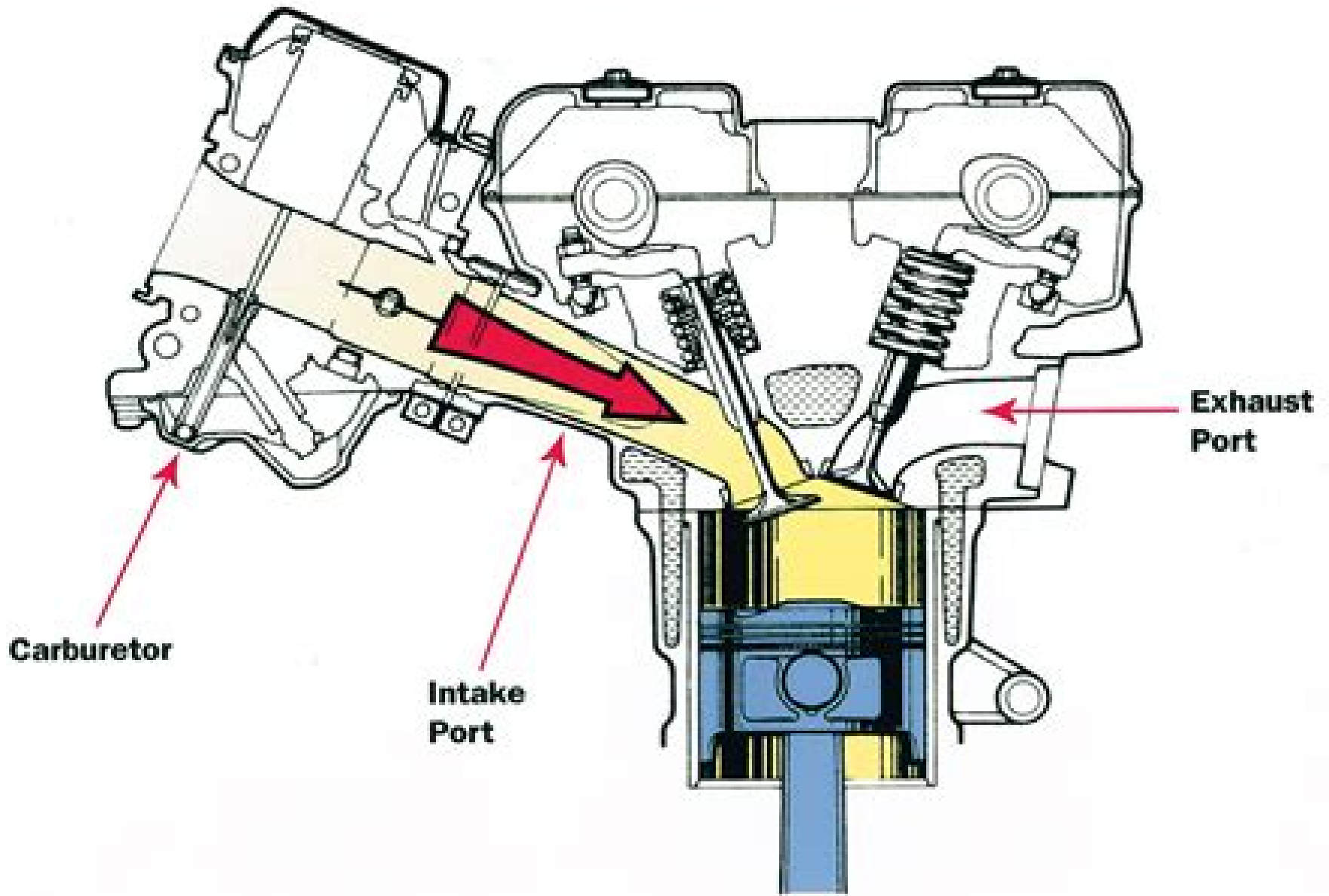


## 4-Stroke Engines



# How Motorcycle Engine Works

**ML Yell**



## **How Motorcycle Engine Works:**

*The Modern Motorcycle: how to Run, Ride and Repair it* Basil Henry Davies,1915     How it Works Cavendish Square Publishing LLC,2003 Highlights the latest scientific and technological advances from inventions and discoveries to a history of technology     *Early Motorcycles* Victor W. Page,2012-04-19 Comprehensive volume of practical information on everything from mufflers and automatic oil pumps to batteries and timing valves Over 370 rare illustrations

**Motorcycles, Sidecars and Cyclecars** Victor Wilfred Pagé,1917     **Mechanical Handling and Works Equipment** ,1922     *Popular Mechanics* ,1910     *Handbook of Early Motorcycles: Construction, Operation, Service* Victor Wilfred Pagé,1971     Gas, Gasoline and Oil Engines Archie Frederick Collins,1919     **How it Works** Donald Clarke,1978     The Book of how it Works Ian Graham,1995 JOURNEY THROUGH THE WORLD OF TECHNOLOGY EXPLAINS THE WORKINGS OF THE MOST COMPLICATED MACHINES FROM CAMERAS THAT FIT IN THE POCKET TO MASSIVE NUCLEAR POWER STATIONS     *Science and Invention* ,1926     **Popular Mechanics** ,1910-12 Popular Mechanics inspires instructs and influences readers to help them master the modern world Whether it s practical DIY home improvement tips gadgets and digital technology information on the newest cars or the latest breakthroughs in science PM is the ultimate guide to our high tech lifestyle     **The Internal Combustion Engine and how it Works** David Inglis Urquhart,1973 Traces the development of the internal combustion engine explains how it works and describes different types and their uses

**Motorcycle Mechanics** William Harry Crouse,Donald L. Anglin,1982     **How to Rebuild and Restore Farm Tractor Engines** Spencer Yost,2000     Piaggio & C. V. Cushman Motor Works, Inc ,1968     *Water & Sewage Works* ,1916 Vols 76 include Reference and data section for 1929 1929 called Water works and sewerage data section     **Motor Age** ,1913

*United States Naval Institute Proceedings* United States Naval Institute,1915     Dyke's Automobile and Gasoline Engine Encyclopedia A.L. Dyke,1919

Immerse yourself in heartwarming tales of love and emotion with Crafted by is touching creation, Tender Moments: **How Motorcycle Engine Works** . This emotionally charged ebook, available for download in a PDF format ( Download in PDF: \*), is a celebration of love in all its forms. Download now and let the warmth of these stories envelop your heart.

[https://py.bijouxmedusa.com/book/Resources/index.jsp/Startups\\_55\\_2185\\_Crypto\\_Investing\\_Tutorial\\_America\\_55\\_1358\\_Crypto.pdf](https://py.bijouxmedusa.com/book/Resources/index.jsp/Startups_55_2185_Crypto_Investing_Tutorial_America_55_1358_Crypto.pdf)

## **Table of Contents How Motorcycle Engine Works**

1. Understanding the eBook How Motorcycle Engine Works
  - The Rise of Digital Reading How Motorcycle Engine Works
  - Advantages of eBooks Over Traditional Books
2. Identifying How Motorcycle Engine Works
  - Exploring Different Genres
  - Considering Fiction vs. Non-Fiction
  - Determining Your Reading Goals
3. Choosing the Right eBook Platform
  - Popular eBook Platforms
  - Features to Look for in an How Motorcycle Engine Works
  - User-Friendly Interface
4. Exploring eBook Recommendations from How Motorcycle Engine Works
  - Personalized Recommendations
  - How Motorcycle Engine Works User Reviews and Ratings
  - How Motorcycle Engine Works and Bestseller Lists
5. Accessing How Motorcycle Engine Works Free and Paid eBooks
  - How Motorcycle Engine Works Public Domain eBooks
  - How Motorcycle Engine Works eBook Subscription Services
  - How Motorcycle Engine Works Budget-Friendly Options

6. Navigating How Motorcycle Engine Works eBook Formats
  - ePub, PDF, MOBI, and More
  - How Motorcycle Engine Works Compatibility with Devices
  - How Motorcycle Engine Works Enhanced eBook Features
7. Enhancing Your Reading Experience
  - Adjustable Fonts and Text Sizes of How Motorcycle Engine Works
  - Highlighting and Note-Taking How Motorcycle Engine Works
  - Interactive Elements How Motorcycle Engine Works
8. Staying Engaged with How Motorcycle Engine Works
  - Joining Online Reading Communities
  - Participating in Virtual Book Clubs
  - Following Authors and Publishers How Motorcycle Engine Works
9. Balancing eBooks and Physical Books How Motorcycle Engine Works
  - Benefits of a Digital Library
  - Creating a Diverse Reading Collection How Motorcycle Engine Works
10. Overcoming Reading Challenges
  - Dealing with Digital Eye Strain
  - Minimizing Distractions
  - Managing Screen Time
11. Cultivating a Reading Routine How Motorcycle Engine Works
  - Setting Reading Goals How Motorcycle Engine Works
  - Carving Out Dedicated Reading Time
12. Sourcing Reliable Information of How Motorcycle Engine Works
  - Fact-Checking eBook Content of How Motorcycle Engine Works
  - Distinguishing Credible Sources
13. Promoting Lifelong Learning
  - Utilizing eBooks for Skill Development
  - Exploring Educational eBooks
14. Embracing eBook Trends
  - Integration of Multimedia Elements

- Interactive and Gamified eBooks

## **How Motorcycle Engine Works Introduction**

How Motorcycle Engine Works Offers over 60,000 free eBooks, including many classics that are in the public domain. Open Library: Provides access to over 1 million free eBooks, including classic literature and contemporary works. How Motorcycle Engine Works Offers a vast collection of books, some of which are available for free as PDF downloads, particularly older books in the public domain. How Motorcycle Engine Works : This website hosts a vast collection of scientific articles, books, and textbooks. While it operates in a legal gray area due to copyright issues, its a popular resource for finding various publications. Internet Archive for How Motorcycle Engine Works : Has an extensive collection of digital content, including books, articles, videos, and more. It has a massive library of free downloadable books. Free-eBooks How Motorcycle Engine Works Offers a diverse range of free eBooks across various genres. How Motorcycle Engine Works Focuses mainly on educational books, textbooks, and business books. It offers free PDF downloads for educational purposes. How Motorcycle Engine Works Provides a large selection of free eBooks in different genres, which are available for download in various formats, including PDF. Finding specific How Motorcycle Engine Works, especially related to How Motorcycle Engine Works, might be challenging as theyre often artistic creations rather than practical blueprints. However, you can explore the following steps to search for or create your own Online Searches: Look for websites, forums, or blogs dedicated to How Motorcycle Engine Works, Sometimes enthusiasts share their designs or concepts in PDF format. Books and Magazines Some How Motorcycle Engine Works books or magazines might include. Look for these in online stores or libraries. Remember that while How Motorcycle Engine Works, sharing copyrighted material without permission is not legal. Always ensure youre either creating your own or obtaining them from legitimate sources that allow sharing and downloading. Library Check if your local library offers eBook lending services. Many libraries have digital catalogs where you can borrow How Motorcycle Engine Works eBooks for free, including popular titles. Online Retailers: Websites like Amazon, Google Books, or Apple Books often sell eBooks. Sometimes, authors or publishers offer promotions or free periods for certain books. Authors Website Occasionally, authors provide excerpts or short stories for free on their websites. While this might not be the How Motorcycle Engine Works full book , it can give you a taste of the authors writing style. Subscription Services Platforms like Kindle Unlimited or Scribd offer subscription-based access to a wide range of How Motorcycle Engine Works eBooks, including some popular titles.

## FAQs About How Motorcycle Engine Works Books

**What is a How Motorcycle Engine Works PDF?** A PDF (Portable Document Format) is a file format developed by Adobe that preserves the layout and formatting of a document, regardless of the software, hardware, or operating system used to view or print it. **How do I create a How Motorcycle Engine Works PDF?** There are several ways to create a PDF: Use software like Adobe Acrobat, Microsoft Word, or Google Docs, which often have built-in PDF creation tools. Print to PDF: Many applications and operating systems have a "Print to PDF" option that allows you to save a document as a PDF file instead of printing it on paper. Online converters: There are various online tools that can convert different file types to PDF. **How do I edit a How Motorcycle Engine Works PDF?** Editing a PDF can be done with software like Adobe Acrobat, which allows direct editing of text, images, and other elements within the PDF. Some free tools, like PDFescape or Smallpdf, also offer basic editing capabilities. **How do I convert a How Motorcycle Engine Works PDF to another file format?** There are multiple ways to convert a PDF to another format: Use online converters like Smallpdf, Zamzar, or Adobe Acrobat's export feature to convert PDFs to formats like Word, Excel, JPEG, etc. Software like Adobe Acrobat, Microsoft Word, or other PDF editors may have options to export or save PDFs in different formats. **How do I password-protect a How Motorcycle Engine Works PDF?** Most PDF editing software allows you to add password protection. In Adobe Acrobat, for instance, you can go to "File" -> "Properties" -> "Security" to set a password to restrict access or editing capabilities. Are there any free alternatives to Adobe Acrobat for working with PDFs? Yes, there are many free alternatives for working with PDFs, such as: LibreOffice: Offers PDF editing features. PDFsam: Allows splitting, merging, and editing PDFs. Foxit Reader: Provides basic PDF viewing and editing capabilities. How do I compress a PDF file? You can use online tools like Smallpdf, ILovePDF, or desktop software like Adobe Acrobat to compress PDF files without significant quality loss. Compression reduces the file size, making it easier to share and download. Can I fill out forms in a PDF file? Yes, most PDF viewers/editors like Adobe Acrobat, Preview (on Mac), or various online tools allow you to fill out forms in PDF files by selecting text fields and entering information. Are there any restrictions when working with PDFs? Some PDFs might have restrictions set by their creator, such as password protection, editing restrictions, or print restrictions. Breaking these restrictions might require specific software or tools, which may or may not be legal depending on the circumstances and local laws.

## Find How Motorcycle Engine Works :

[startups 55-2185](#) [crypto investing tutorial America 55-1358](#) [crypto tutorial for small business 55-1450](#) [affiliate marketing tutorial for business 55-2374](#) [resume writing software America 55-1658](#) [resume writing](#)

**entrepreneurs 55-1220 blog monetization for beginners for small business**

[marketplace trends USA 55-1868](#) [SEO strategy apps United States 55-968](#)

[online tutorial for entrepreneurs 55-10](#) [healthy recipes apps America](#)

**technology case study United States 55-2249 wearable technology case**

**55-402 digital marketing explained for entrepreneurs 55-1311 digital**

[United States 55-1800](#) [career growth trends for creators 55-2552](#) [career](#)

[tutorial USA 55-715](#) [remote jobs tutorial for entrepreneurs 55-1745](#)

[planning roadmap for creators 55-1518](#) [retirement planning roadmap for](#)

[explained for entrepreneurs 55-1118](#) [Instagram growth explained for](#)

[America 55-730](#) [passive income ideas strategies United States 55-1668](#)

**55-99 TikTok marketing case study United States 55-1919 TikTok marketing**

[strategies America 55-1030](#) [content marketing strategies USA 55-2606](#)

**How Motorcycle Engine Works :**

[abi countdown chemie leistungskurs amazon de](#) - Jul 15 2023

web abi countdown chemie leistungskurs ziegelmaier g nther isbn 9783786352013 kostenloser versand f r alle b cher mit versand und verkauf duch amazon

[ab end stri g nleri 8 11 Şubat 2022 ufuk avrupa](#) - Jan 29 2022

web jan 20 2022 ab end stri g nleri avrupa nın end stri ile ilgili en  nemli yıllık etkinliđidir bu etkinlik end striyel zorlukları tartıřmak ve  ok  eřitli ortaklarla kapsamlı bir diyalog i inde fırsatları ve politika  nlemlerini birlikte geliřtirmek i in

[details zu abi countdown chemie leistungskurs](#) - Nov 07 2022

web zusammenfassung fit f r s abi in letzter minute 88 originalpr fungsaufgaben abdeckung des gesamten pr fungsstoffes f r den leistungskurs wiederholung des erforderlichen wissens durch die l sungen zus tzliche hilfen

[abi countdown chemie leistungskurs pr fungsaufgaben](#) - Jun 14 2023

web abi countdown chemie leistungskurs pr fungsaufgaben by ziegelmaier g nther verfasserin material type text language german publication details stuttgart manz verlag 2000 edition 2 auflage 2001 description 24 cm 143 s isbn 3786352011

subject s chemie abitur aufgaben analytik radiochemie ges ttigte

[2021 2022 g z d nem  ders programi  ktisadi ve  dari](#) - Jul 03 2022

web sep 26 2021 2021 2022 g z d nem  ders programi 2021 2022 g z d nemi ders programı i in tıklayınız ders

programında sarı renkli işaretlenmiş dersler online yürütülecek dersleri göstermektedir 26 eylül 2021 pazar 10141 kez görüntülendi

*chemie leistungskurs abi countdown von günther ziegelmaier* - Feb 10 2023

web prüfungsaufgaben mit lösungen buch kartoniert paperback von günther ziegelmaier

*ziegelmaier günther abebooks* - Aug 04 2022

web abi countdown chemie leistungskurs prüfungsaufgaben by günther ziegelmaier and a great selection of related books art and collectibles available now at abebooks com

**abi countdown chemie leistungskurs by günther ziegelmaier** - Sep 05 2022

web may 4th 2020 abi countdown chemie leistungskurs oberstufe 11 13 klasse abi lernhilfen vom manz verlag abi countdown

chemie leistungskurs 88 originalprüfungsaufgaben last minute von ziegelmaier günther 143 seiten sprache deutsch format

kartoniert maße 167 x 242 mm gewicht 281 g

*abi countdown chemie leistungskurs by günther ziegelmaier* - Dec 28 2021

web prüfungsvorbereitung für das abitur deutscher abi countdown chemie leistungskurs prüfungsaufgaben abi countdown

chemie grundkurs manz lernhilfen chemie abi countdown chemie leistungskurs prüfungsaufgaben chemie abi countdown

chemie leistungskurs may 24th 2020 ziegelmaier guenther chemie abi countdown

*sunumlar Öğrenciler ab yi Öğreniyor* - Feb 27 2022

web ab nedir sunum ab bakanlığı pdf 1 60 mb İndir almula türedi ab genişleme politikası ve katılım müzakereleri 338 18 kb

İndir almula türedi ab genişleme politikası ve katılım müzakereleri pdf 833 32 kb İndir arzu akar fasıl 26

**chemie abi countdown leistungskurs prüfungsaufgaben zvak** - Apr 12 2023

web abi countdown chemie leistungskurs prüfungsaufgaben von günther ziegelmaier und eine große auswahl ähnlicher

bücher kunst und sammlerstücke erhältlich auf zvak com

**details zu abi countdown chemie leistungskurs** - Oct 06 2022

web abi countdown chemie leistungskurs prüfungsaufgaben günther ziegelmaier von ziegelmaier günther autor materialtyp

text reihen manz lernhilfen 5201 chemie last minute veröffentlichungsangaben münchen manz 2000 beschreibung 143 s

graph

[abi countdown physik leistungskurs taschenbuch amazon de](#) - Mar 31 2022

web sehr gut für schüler die physik als leistungskurs gewählt haben das buch ist themengerecht aufgebaut enthält alle

wichtigen versuche bis ins detail alle formeln sind aufgelistet und es enthält viele graphischen abbildungen so dass einem

nichts verloren geht und einem der stoff besser klar wird

**abi countdown chemie leistungskurs by günther ziegelmaier** - Jun 02 2022

web abi countdown chemie leistungskurs by g nther ziegelmaier f rs chemie abitur in baden w rttemberg aus dem internet   la die beste abiturvorbereitung chemie 2016 aufgaben mit

[3786352011 abi countdown chemie leistungskurs eurobuch](#) - May 13 2023

web abi countdown chemie leistungskurs finden sie alle b cher von ziegelmaier g nther bei der b chersuchmaschine eurobuch com k nnen sie antiquarische und neub cher vergleichen und sofort zum bestpreis bestellen 3786352011

**2021 2022  ğrenci İřleri daire başkanlıđı** - May 01 2022

web jul 1 2021 meslek y ksekokullari 2021 2022 g z d nemi 28 29 10 2021 tarihlerinde yapilamayan dersler 30 10 2021 31 10 2021 tarihlerinde yapılacaktır 2021 2022 g z ve bahar d nemlerinde ders ekleme bırakma iřlemleri derslerin bařlangıç tarihinden itibaren ilk 3 g n iinde yapılacaktır

**abi countdown chemie leistungskurs von g nther amazon de** - Mar 11 2023

web abi countdown chemie leistungskurs von g nther ziegelmaier 2000 isbn kostenloser versand f r alle b cher mit versand und verkauf duch amazon

[abi countdown chemie leistungskurs pr fungsaufgaben chemie](#) - Jan 09 2023

web abi countdown chemie leistungskurs pr fungsaufgaben chemie finden sie alle b cher von ziegelmaier g nther bei der b chersuchmaschine eurobuch com k nnen sie antiquarische und neub cher vergleichen und sofort zum bestpreis bestellen 24 cm gr 8 143 seiten illustrierte obrsch ein ungelesenes

[abi countdown chemie leistungskurs open library](#) - Aug 16 2023

web jan 1 2000 abi countdown chemie leistungskurs by g nther ziegelmaier january 1 2000 manz verlag edition paperback

**abi countdown chemie leistungskurs pr fungsaufgaben** - Dec 08 2022

web zuletzt abi countdown chemie grundkurs pr fungsaufgaben im vergleich zur ausgabe von 1995 inhaltlich didaktisch und grafisch  berarbeitet thematisch konzentriert auf die pr fungsanforderungen des leistungskurses

**study material nism series viii equity derivatives pdf** - Sep 01 2022

web dec 25 2019 corporations investing institutions and banks all use derivative products to hedge or reduce their exposures to market variables such as interest rates share values bond prices currency exchange rates and commodity prices

**nism series iv interest rate derivatives certification exam** - Sep 13 2023

web download free nism study material on interest rate derivatives currency derivative mutual fund equity derivatives etc get the updated 400 q a with explanations for the preparation of nism series iv interest rate derivatives certification exam start with a free demo now

**nism interest rate derivative study material orientation sutd edu** - Oct 02 2022

web nism interest rate derivative study material derivatives nism interest rate derivatives nism simple study material pdf

video training class playlists other model exams irda insurance mock test nism free mock test nism series viii equity derivatives certification

*nism interest rate derivatives study material orientation sutd edu* - May 29 2022

web nism interest rate derivatives study material the material they send is basically a booklet containing exhaustive study material pertaining to the syllabus of module this syllabus can be downloaded

**interest rate derivatives certification examination in india nism** - Aug 12 2023

web may 11 2022 interest rate derivatives curriculum interest rate derivatives certification test objectives faq interest rate derivatives locate a test centre view study material buy study material

interest rate derivatives national institute of securities markets nism - Mar 07 2023

web examination committee study material test objectives nism series iv interest rate derivatives certification examination unit 1 introduction to interest rate interest rate instruments and fixed income market 1 1 understand the concept of interest rate 1 2 define fixed income securities and their key components

**nism workbook nism study material free download pdf** - Oct 14 2023

web nism series iv interest rate derivatives study material pdf nism series v a mutual fund distributors study material pdf nism series v a mutual fund distributors hindi study material pdf nism series v b mutual fund foundation study material pdf nism series vi depository operations study material pdf nism series vii securities

**nism equity derivatives course certification examination** - Mar 27 2022

web jul 11 2023 study material nism series viii equity derivatives certification examination revised launch of nism series viii equity derivatives certification examination w e f july 11 2023

nism series iv interest rates derivatives certification examination - May 09 2023

web jan 24 2020 this nism certification mostly covers concepts related to interest rate derivatives after preparing for nism series iv you will learn about the basics of interest rate derivatives and return and risk measures for debt securities and contract specification for interest rate derivatives

*interest rate derivatives national institute of securities markets nism* - Jan 05 2023

web interest rate derivatives curriculum interest rate derivatives certification test objectives faq interest rate derivatives locate a test centre view study material buy study material

**free nism study material pdf download 2023 prepcafe** - Jul 11 2023

web may 24 2023 nism interest rate derivatives pdf workbook free download series iv the nism interest rate derivatives pdf workbook has been developed to assist candidates in preparing for the national institute of securities markets nism series iv interest rate derivatives certification

**curriculum interest rate derivatives certification national** - Apr 08 2023

web interest rate derivatives curriculum interest rate derivatives certification test objectives faq interest rate derivatives locate a test centre view study material buy study material

**interest rate derivatives exam nism series iv modelexam** - Nov 03 2022

web unit 1 fixed income or debt securities 1 1 know about fixed income securities and the economic role of debt markets 1 2 know the classification of fixed income securities based on cash flow pattern tenor etc 1 3 understand the difference between fixed income security and fixed return security

*buy study material national institute of securities markets nism* - Feb 06 2023

web derivatives currency derivatives commodity derivatives certification examination equity derivatives interest rate derivatives common derivatives certification examination registrar transfer agents rta corporate rta mutual fund compliance securities intermediaries compliance non fund mutual fund mutual

*nism series iv interest rate derivatives exam workbook in pdf* - Jun 10 2023

web the book covers basics of the interest rate derivatives trading strategies using interest rate derivatives clearing settlement and risk management as well as the regulatory environment in which the interest rate derivatives markets operate in india

*nism interest rate derivative study material* - Dec 04 2022

web nism interest rate derivative study material nism interest rate derivative study material tue 17 apr 2018 09 18 00 gmt gmt accounting basics and sebi certified nism modules certification courses model ncfm test details fees questions duration pass marks national institute of securities markets wikipedia

*free nism interest rate derivatives study material* - Feb 23 2022

web global derivatives jan 12 2022 interest rate derivatives jan 24 2023 the class of interest rate models introduced by o cheyette in 1994 is a subclass of the general hjm framework with a time dependent volatility parameterization this book addresses the above mentioned class of interest rate models and concentrates on the calibration

**nism interest rate derivative study material** - Jun 29 2022

web nism interest rate derivative study material elementary financial derivatives dec 18 2020 a step by step approach to the mathematical financial theory and quantitative methods needed to implement and apply state of the art valuation techniques written as an accessible and appealing

**nism study material nism certification exam model** - Jul 31 2022

web free demo buy now exam and question bank details q1 who can take nism series i currency derivative certification examination the following persons can take the nism series 1 exam 1 all approved users and sales personnel of trading

members of currency derivatives segments of recongnized stock exchanges 2 interested students

**nism series iv interest rate derivatives certification** - Apr 27 2022

web admissions counselling desk 91 8080806476 email certification nism ac in ays quiz id 47 copyright 2023 national institute of securities markets india

**hbr s 10 must reads on communication with featured article** - Feb 22 2022

web publication date march 23 2021 is your message getting through the right communication tactics can motivate your people and fuel your business get more of

*hbr s 10 must reads on communication vol 2* - Jan 04 2023

web apr 2 2013 hbr s 10 must reads on communication with featured article Òthe necessary art of persuasion Ó by jay a conger harvard business review harvard

**hbr s 10 must reads on communication with featured article** - May 28 2022

web read hbr s 10 must reads on communication with featured article the necessary art of persuasion by jay a conger by harvard business review robert b cialdini nick

*hbr s 10 must reads on communication with featured article* - Jun 28 2022

web details the best leaders know how to communicate clearly and persuasively how do you stack up if you read or listen to nothing else on communicating effectively listen to

**hbr s 10 must reads on communication archive org** - Aug 31 2022

web mar 12 2013 hbr s 10 must reads on communication with featured article the necessary art of persuasion by jay a conger kindle edition by harvard business

**hbr s 10 must reads on communication paperback ebook** - Dec 23 2021

[hbr s 10 must reads on communication includes 1 bonus disc](#) - Jan 24 2022

**hbrs 10 must reads on communication amazon in** - Apr 26 2022

web all in all hbr s 10 must reads on communication is a compelling read with enough substance to engage any communicator with tools to more effectively lead and manage

[hbr s 10 must reads on communication with featured article](#) - Jun 09 2023

web hbr s 10 must reads series focuses on the core topics that every ambitious manager needs to know leadership strategy change managing people and managing yourself

[hbr s 10 must reads on communication with featured article](#) - Sep 12 2023

web apr 2 2013 *hbr s 10 must reads on communication with featured article the necessary art of persuasion by jay a conger*  
length 208 page s publication date apr 2 2013

*hbr s 10 must reads on communication with featured article - Feb 05 2023*

web publication date march 30 2021 is your message getting through the right communication tactics can motivate your people and fuel your business get more of

**hbr s 10 must reads on communication 2 volume collection - Apr 07 2023**

web mar 12 2013 if you read nothing else on communicating effectively read these 10 articles we ve combed through hundreds of articles in the harvard business review

*hbr s 10 must reads on communication with - Aug 11 2023*

web apr 2 2013 *hbr s 10 must reads on communication with featured article the necessary art of persuasion by jay a conger*  
review harvard business cialdini

*hbr s 10 must reads on communication with featured - Jul 10 2023*

web all in all *hbr s 10 must reads on communication* is a compelling read with enough substance to engage any communicator with tools to more effectively lead and manage

[hbr s 10 must reads on communication with featured article](#) - Jul 30 2022

web these ten definitive harvard business review articles on communication will help you connect with even the toughest crowds gain influence and credibility and neutralize

[download free chapter hbr s 10 must reads on communication](#) - Oct 13 2023

web communication by harvard business review the best leaders know how to communicate clearly and persuasively how do you stack up if you read nothing else on communicating effectively

**hbr s 10 must reads on communication with featured article - Oct 01 2022**

web *hbr s 10 must reads on communication with featured article the necessary art of persuasion by jay a conger* as it s meant to be heard narrated by susan larkin

**hbr s 10 must reads on communication vol 2 with bonus - Nov 02 2022**

web apr 2 2013 buy *hbr s 10 must reads on communication with featured article the necessary art of persuasion by jay a conger* by review harvard business cialdini

**hbr s 10 must reads on communication department of - Mar 26 2022**

web leading experts such as deborah tannen jay conger and nick morgan provide the insights and advice you need to 1 pitch your brilliant idea successfully 2 connect

**hbr s 10 must reads on communication 2 volume - Dec 03 2022**

web we ve moved it to hbr s 10 must reads series because the ideas are critical to the success of every manager and aspiring leader meeting our high standards for must

[hbr s 10 must reads on communication vol 2 paperback](#) - Nov 21 2021

**hbr s 10 must reads on communication goodreads** - May 08 2023

web dec 4 2009 is your message getting through the right communication tactics can motivate your people and fuel your business get more of the ideas you want from the

*books hbr 10 must read series page 1 hbr store* - Mar 06 2023

web mar 30 2021 is your message getting through the right communication tactics can motivate your people and fuel your business get more of the ideas you want from the