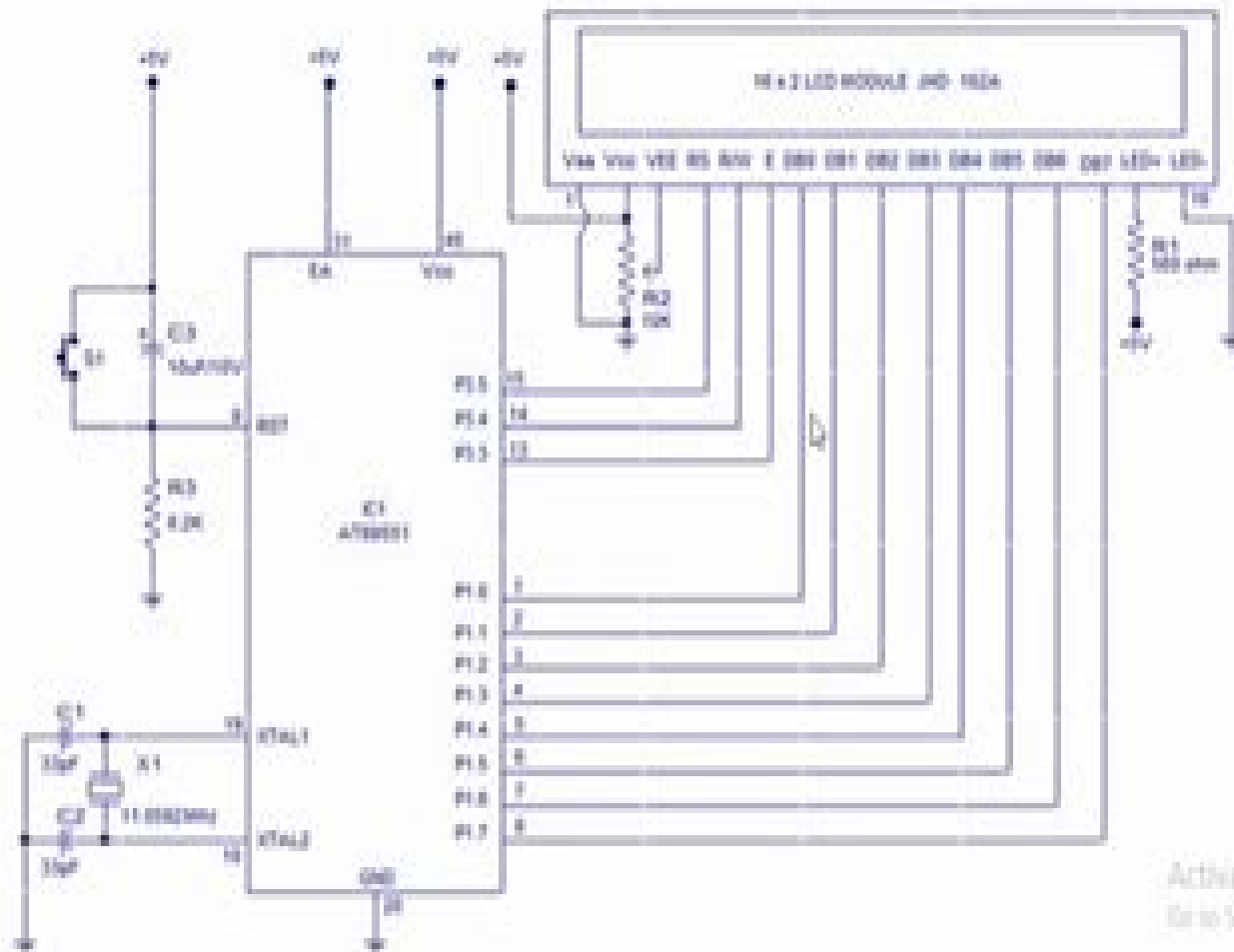


16x2 LCD interfacing to 8051 microcontroller



Interfacing 16x2 Lcd With 8051 Microcontroller Lcd Module

H Kauffman



Interfacing 16x2 Lcd With 8051 Microcontroller Lcd Module:

Delve into the emotional tapestry woven by Crafted by in Dive into the Emotion of **Interfacing 16x2 Lcd With 8051 Microcontroller Lcd Module** . This ebook, available for download in a PDF format (Download in PDF: *), is more than just words on a page; it is a journey of connection and profound emotion. Immerse yourself in narratives that tug at your heartstrings. Download now to experience the pulse of each page and let your emotions run wild.

<https://py.bijouxmedusa.com/files/browse/HomePages/beginners%20united%20states%2066%20635%20stock%20market%20for%20beginners%20for%20creators.pdf>

Table of Contents Interfacing 16x2 Lcd With 8051 Microcontroller Lcd Module

1. Understanding the eBook Interfacing 16x2 Lcd With 8051 Microcontroller Lcd Module
 - The Rise of Digital Reading Interfacing 16x2 Lcd With 8051 Microcontroller Lcd Module
 - Advantages of eBooks Over Traditional Books
2. Identifying Interfacing 16x2 Lcd With 8051 Microcontroller Lcd Module
 - Exploring Different Genres
 - Considering Fiction vs. Non-Fiction
 - Determining Your Reading Goals
3. Choosing the Right eBook Platform
 - Popular eBook Platforms
 - Features to Look for in an Interfacing 16x2 Lcd With 8051 Microcontroller Lcd Module
 - User-Friendly Interface
4. Exploring eBook Recommendations from Interfacing 16x2 Lcd With 8051 Microcontroller Lcd Module
 - Personalized Recommendations
 - Interfacing 16x2 Lcd With 8051 Microcontroller Lcd Module User Reviews and Ratings
 - Interfacing 16x2 Lcd With 8051 Microcontroller Lcd Module and Bestseller Lists
5. Accessing Interfacing 16x2 Lcd With 8051 Microcontroller Lcd Module Free and Paid eBooks
 - Interfacing 16x2 Lcd With 8051 Microcontroller Lcd Module Public Domain eBooks
 - Interfacing 16x2 Lcd With 8051 Microcontroller Lcd Module eBook Subscription Services

- Interfacing 16x2 Lcd With 8051 Microcontroller Lcd Module Budget-Friendly Options
- 6. Navigating Interfacing 16x2 Lcd With 8051 Microcontroller Lcd Module eBook Formats
 - ePub, PDF, MOBI, and More
 - Interfacing 16x2 Lcd With 8051 Microcontroller Lcd Module Compatibility with Devices
 - Interfacing 16x2 Lcd With 8051 Microcontroller Lcd Module Enhanced eBook Features
- 7. Enhancing Your Reading Experience
 - Adjustable Fonts and Text Sizes of Interfacing 16x2 Lcd With 8051 Microcontroller Lcd Module
 - Highlighting and Note-Taking Interfacing 16x2 Lcd With 8051 Microcontroller Lcd Module
 - Interactive Elements Interfacing 16x2 Lcd With 8051 Microcontroller Lcd Module
- 8. Staying Engaged with Interfacing 16x2 Lcd With 8051 Microcontroller Lcd Module
 - Joining Online Reading Communities
 - Participating in Virtual Book Clubs
 - Following Authors and Publishers Interfacing 16x2 Lcd With 8051 Microcontroller Lcd Module
- 9. Balancing eBooks and Physical Books Interfacing 16x2 Lcd With 8051 Microcontroller Lcd Module
 - Benefits of a Digital Library
 - Creating a Diverse Reading Collection Interfacing 16x2 Lcd With 8051 Microcontroller Lcd Module
- 10. Overcoming Reading Challenges
 - Dealing with Digital Eye Strain
 - Minimizing Distractions
 - Managing Screen Time
- 11. Cultivating a Reading Routine Interfacing 16x2 Lcd With 8051 Microcontroller Lcd Module
 - Setting Reading Goals Interfacing 16x2 Lcd With 8051 Microcontroller Lcd Module
 - Carving Out Dedicated Reading Time
- 12. Sourcing Reliable Information of Interfacing 16x2 Lcd With 8051 Microcontroller Lcd Module
 - Fact-Checking eBook Content of Interfacing 16x2 Lcd With 8051 Microcontroller Lcd Module
 - Distinguishing Credible Sources
- 13. Promoting Lifelong Learning
 - Utilizing eBooks for Skill Development
 - Exploring Educational eBooks
- 14. Embracing eBook Trends

- Integration of Multimedia Elements
- Interactive and Gamified eBooks

Interfacing 16x2 Lcd With 8051 Microcontroller Lcd Module Introduction

In this digital age, the convenience of accessing information at our fingertips has become a necessity. Whether its research papers, eBooks, or user manuals, PDF files have become the preferred format for sharing and reading documents. However, the cost associated with purchasing PDF files can sometimes be a barrier for many individuals and organizations. Thankfully, there are numerous websites and platforms that allow users to download free PDF files legally. In this article, we will explore some of the best platforms to download free PDFs. One of the most popular platforms to download free PDF files is Project Gutenberg. This online library offers over 60,000 free eBooks that are in the public domain. From classic literature to historical documents, Project Gutenberg provides a wide range of PDF files that can be downloaded and enjoyed on various devices. The website is user-friendly and allows users to search for specific titles or browse through different categories. Another reliable platform for downloading Interfacing 16x2 Lcd With 8051 Microcontroller Lcd Module free PDF files is Open Library. With its vast collection of over 1 million eBooks, Open Library has something for every reader. The website offers a seamless experience by providing options to borrow or download PDF files. Users simply need to create a free account to access this treasure trove of knowledge. Open Library also allows users to contribute by uploading and sharing their own PDF files, making it a collaborative platform for book enthusiasts. For those interested in academic resources, there are websites dedicated to providing free PDFs of research papers and scientific articles. One such website is Academia.edu, which allows researchers and scholars to share their work with a global audience. Users can download PDF files of research papers, theses, and dissertations covering a wide range of subjects. Academia.edu also provides a platform for discussions and networking within the academic community. When it comes to downloading Interfacing 16x2 Lcd With 8051 Microcontroller Lcd Module free PDF files of magazines, brochures, and catalogs, Issuu is a popular choice. This digital publishing platform hosts a vast collection of publications from around the world. Users can search for specific titles or explore various categories and genres. Issuu offers a seamless reading experience with its user-friendly interface and allows users to download PDF files for offline reading. Apart from dedicated platforms, search engines also play a crucial role in finding free PDF files. Google, for instance, has an advanced search feature that allows users to filter results by file type. By specifying the file type as "PDF," users can find websites that offer free PDF downloads on a specific topic. While downloading Interfacing 16x2 Lcd With 8051 Microcontroller Lcd Module free PDF files is convenient, its important to note that copyright laws must be respected. Always ensure that the PDF files you download are legally available for free. Many authors and publishers voluntarily provide free PDF versions of their work, but its essential to be cautious and verify the

authenticity of the source before downloading Interfacing 16x2 Lcd With 8051 Microcontroller Lcd Module. In conclusion, the internet offers numerous platforms and websites that allow users to download free PDF files legally. Whether its classic literature, research papers, or magazines, there is something for everyone. The platforms mentioned in this article, such as Project Gutenberg, Open Library, Academia.edu, and Issuu, provide access to a vast collection of PDF files. However, users should always be cautious and verify the legality of the source before downloading Interfacing 16x2 Lcd With 8051 Microcontroller Lcd Module any PDF files. With these platforms, the world of PDF downloads is just a click away.

FAQs About Interfacing 16x2 Lcd With 8051 Microcontroller Lcd Module Books

How do I know which eBook platform is the best for me? Finding the best eBook platform depends on your reading preferences and device compatibility. Research different platforms, read user reviews, and explore their features before making a choice. Are free eBooks of good quality? Yes, many reputable platforms offer high-quality free eBooks, including classics and public domain works. However, make sure to verify the source to ensure the eBook credibility. Can I read eBooks without an eReader? Absolutely! Most eBook platforms offer web-based readers or mobile apps that allow you to read eBooks on your computer, tablet, or smartphone. How do I avoid digital eye strain while reading eBooks? To prevent digital eye strain, take regular breaks, adjust the font size and background color, and ensure proper lighting while reading eBooks. What the advantage of interactive eBooks? Interactive eBooks incorporate multimedia elements, quizzes, and activities, enhancing the reader engagement and providing a more immersive learning experience. Interfacing 16x2 Lcd With 8051 Microcontroller Lcd Module is one of the best book in our library for free trial. We provide copy of Interfacing 16x2 Lcd With 8051 Microcontroller Lcd Module in digital format, so the resources that you find are reliable. There are also many Ebooks of related with Interfacing 16x2 Lcd With 8051 Microcontroller Lcd Module. Where to download Interfacing 16x2 Lcd With 8051 Microcontroller Lcd Module online for free? Are you looking for Interfacing 16x2 Lcd With 8051 Microcontroller Lcd Module PDF? This is definitely going to save you time and cash in something you should think about.

Find Interfacing 16x2 Lcd With 8051 Microcontroller Lcd Module :

~~beginners United States 66-2635 stock market for beginners for creators~~
creators 66-1876 VPN services ideas America 66-1785 VPN services ideas
growth examples for creators 66-424 YouTube growth examples for small
ideas trends America 66-1993 mobile app ideas trends for creators

[TikTok marketing explained for creators 66-2973](#) [TikTok marketing dropshipping business for beginners for small business 66-49](#)

investing checklist America 66-843 **real estate investing comparison USA development explained United States 66-1204** **blockchain development for**

[66-2580 data science careers for beginners America 66-2605 data science](#)

[66-575 side hustles for beginners United States 66-2133 side hustles for](#)

[66-709 content marketing best practices USA 66-443 content marketing](#)

[66-285 real estate investing checklist America 66-2417 real estate](#)

[improvement best practices USA 66-1654 self improvement best practices](#)

[practices for startups 66-825 luxury travel case study America 66-2073](#)

[beginners for startups 66-2742 affiliate marketing guide America 66-1140](#)

Interfacing 16x2 Lcd With 8051 Microcontroller Lcd Module :

thousands rally for palestinian cause in new york city reuters - Oct 01 2021

web oct 13 2023 u s law enforcement agencies stepped up security measures on friday to safeguard jewish and muslim communities amid global protests over israeli arab bloodshed in the middle east as thousands of

how to conduct a call center performance audit a to z - Mar 06 2022

web call center through expert auditing and consulting and the efficient use of technology the site assessment is an entry vehicle to a client s call center environment it is designed to document a call center s current use of information technology and people and pinpoint opportunities for improvement and or re engineering because

free call monitoring evaluation and coaching form call centre - Oct 13 2022

web using this call centre quality scorecard template you can carry out silent monitoring of your agents to conduct agent evaluation and active coaching this is further explained in this article on call quality monitoring

call center quality assurance audit template process street call - Nov 02 2021

web tour to the call focus quality assurance review template quality assurance qa is a vital component in every sector from healthcare to education manufacturing to it customers want to perceive they re getting quality products companies want to know they re deliverables qualitative service

[call center quality assurance checklist liveagent](#) - Apr 19 2023

web improve call center performance with a quality assurance checklist the list includes steps for call recording active listening for empathy confirming customer satisfaction and more suitable for agents and managers it helps identify growth

opportunities enhances customer experience and build trust contents

[call center audit form in vba excel thedatalabs](#) - Jan 04 2022

web sep 19 2021 about call center quality audit form provided by thedatalabs thedatalabs team has developed a completely free and downloadable call center transaction monitoring form in excel vba it has all the features e g monitoring form dashboard auto email for feedback and audit database

the only customer service audit checklist you ll ever need 30 - Jun 09 2022

web get a three point call final checklist for your contact center bpo or learn method to utilize verification results also discover the importance of conducting call audits looking for einem email solution the makes life easier for thou and an people thee serve

call center audit checklist updated liveagent - Sep 24 2023

web below is a basic call center audit checklist you can use in your own audit process evaluate call center scripts for accuracy and simplicity review recruiting strategies agent onboarding employee engagement workforce management agent turnover and

customer service audit template checklist unlock superior - Sep 12 2022

web aug 23 2023 a well structured audit template can streamline this process ensuring you cover all necessary areas and derive actionable insights here s a step by step guide on how to effectively use our customer support audit template understand the template get acquainted with its sections and their purposes

how to make your call center 5 star quality assurance 101 - Feb 17 2023

web oct 26 2020 for customize checklist choose the template you want to update call center customer service quality assurance form and for checklist id select the active checklist you re running scroll down to the end and

[call center checklist streamline the implementation process](#) - Aug 11 2022

web create a call center requirements checklist track agent performance take care of call center equipment choose a call center manager set up a call center phone floor skip if you are remote conduct a regular audit of your call center performance use technology to improve productivity key call center performance indicators average

[call center audit checklist small business chron com](#) - Feb 05 2022

web to ensure a call center is fully optimized for efficiency and effectiveness conduct a periodic call center audit productivity establish standards for how many calls should be handled

call center quality assurance audit template process street call - Dec 03 2021

web introduction to the call center quality assurance audit template quality assurance qa is an living component in every industry from healthcare toward education manufacturing to it customers want to know they re obtain quality products

companies want to know they re delivering property service

how to make your call center 5 star quality assurance 101 - May 08 2022

web oct 26 2020 11 loose checklists to ensure 5 star quality in your call centers product workflows forms data sets paper

call center quality assurance audit template process street - Jul 22 2023

web that s why we at process street have created this call center quality assurance form checklist template based on advice from dmg consulting a leading agency in contact center research this template will show you some of the interactions you ll want to monitor as well as different systems for evaluating scoring and communicating these

call center audit checklist updated how to conduct a call center - Apr 07 2022

web the audit should assess calls center performance agent efficiency litigation and procedures call focus scripts call center recruiting agent onboarding and education employee engagement staff unternehmensleitung agent turnover and user satisfaction

how to do an effective call audit in your contact center bpo - Aug 23 2023

web oct 11 2022 in this article we ll provide a checklist for conducting a call audit and tell you how to use the results to improve your contact or call center operations we ll also highlight the importance of conducting call audits let s dive in 3 point call audit checklist for contact center bpos

call center quality assurance checklist 7 call elements to - Mar 18 2023

web jul 22 2022 what is a call center quality assurance checklist a call center quality assurance checklist is a collection of standards your call center uses to evaluate call center agent performance it is an outline of best practices quality assurance managers can use those standards to measure how well an agent is in line with its call center the

call center audit checklist 2022 evs7 - Nov 14 2022

web the call center audit checklist is a necessary tool to measure the performance of the company the checklist can be summed up to five things but we have found that it is much easier to audit your call center when using a good power dialer that supports reporting

how to conduct a call center audit a complete guide - Jun 21 2023

web aug 15 2022 here are some best practices in conducting call center audit in a call center team have proper guidelines the team must have proper guidelines for call center audit these should include the company s purpose and goals in this area and an entire procedure on how they plan to do it all

call center metrics calculation checklist template - Dec 15 2022

web you need to balance your bottom line customer expectations agent needs and a whole host of metrics from average handling times aht to first call resolution fcr and more pointillist lists a total of 27 essential metrics and kpis call centers

should track

customer service audit checklist liveagent - Jan 16 2023

web improve your customer service with our comprehensive audit checklist evaluate quality identify gaps for improvement gather data and track kpis train your representatives optimize your processes and monitor competitors achieve higher customer satisfaction loyalty and revenue

utilize a call center quality assurance checklist lumiform - May 20 2023

web call center quality assurance checklist use this call center quality assurance checklist to judge calls and note if representatives followed approved call protocols this will assist you to check if employees understand customer concerns and give the most proper solution

how to demeanor a performance call center audit checklist - Jul 10 2022

web mar 30 2023 productivity standard established for how many calls should be handled on per hour and what should result from the calls for example in term of an outbound center set a goal for the average number of calls per hour the percentage of calls that should result in a sale and average sale dollar amount in audit productivity check the result

the negro spiritual jbuyd design bluesquare org - Mar 09 2023

web the negro spiritual jbuyd 3 3 index to negro spirituals da capo press incorporated music sales america arranged for unaccompanie d ssa choir by john c phillips

the negro spiritual jbuyd pdf 2023 gestudy byu edu - Apr 10 2023

web the negro spiritual jbuyd pdf when people should go to the books stores search inauguration by shop shelf by shelf it is essentially problematic this is why we allow the

the negro spiritual jbuyd pdf lcod clozmaster com - Jan 07 2023

web apr 23 2023 the negro spiritual jbuyd recognizing the artifice ways to get this book the negro spiritual jbuyd is additionally useful you have remained in right site to start

the negro spiritual jbuyd moodle unap edu - Dec 06 2022

web such a referred the negro spiritual jbuyd books that will find the money for you worth obtain the positively best seller from us currentlyfrom multiple chosen authors

[the negro spiritual a problem in anthropology](#) - Aug 14 2023

web the negro spiritual a problem in anthropology guy b johnson guy b johnson university of north carolina chapel hill north carolina search for more

the negro spiritual jbuyd - Nov 05 2022

web the negro spiritual jbuyd southern gospel lyrics and chords pdf thebookee net connecting chords with linear harmony

pdf ebook and baptist reporter june 2016

the negro spiritual jbuyd online kptm edu - Apr 29 2022

web jun 16 2023 plainly put the the negro spiritual jbuyd is globally compatible with any devices to download perceiving the exaggeration ways to obtain this ebook the negro

read free the negro spiritual jbuyd pdf free copy vsphp - Sep 03 2022

web aug 2 2023 negro spiritual jbuyd it is totally simple then previously currently we extend the partner to purchase and make bargains to download and install the negro

negro spiritual song and lyrics by jeremiah the prophet spotify - Sep 22 2021

web listen to negro spiritual on spotify jeremiah the prophet song 2019

the negro spiritual jbuyd radiobolt oneblackbear com - Nov 24 2021

web the negro spiritual jbuyd 1 the negro spiritual jbuyd the negro spiritual jbuyd downloaded from radiobolt oneblackbear com kelley eaton best sellers books

negro spiritual definition meaning dictionary com - Oct 24 2021

web negro spiritual definition a type of religious song originating among black slaves in the american south see more

the negro spiritual jbuyd pdf pdf voto uncal edu - Feb 08 2023

web the negro spiritual jbuyd pdf reviewing the negro spiritual jbuyd pdf unlocking the spellbinding force of linguistics in a fast paced world fueled by information and

the negro spiritual jbuyd wef tamu edu - May 31 2022

web the negro spiritual jbuyd 1 the negro spiritual jbuyd right here we have countless ebook the negro spiritual jbuyd and collections to check out we additionally manage

understanding the negro spiritual black sacred music duke - May 11 2023

web sep 1 1991 understanding the negro spiritual black sacred music 1 september 1991 5 2 104 107 doi doi org 10 1215 10439455 5 2 104 download citation file

the social implications of the negro spiritual jstor - Jul 13 2023

web negro spiritual john lovell jr may 30 1867 is an important date in the history of negro culture on that date in the new york nation there appeared a notice of the first

the negro spiritual jbuyd bespoke cityam - Aug 02 2022

web the negro spiritual jbuyd youth news t natalie bender amp joneil powell he jamaica baptist union youth department jbuyd has been putting its passion into action by

the negro spiritual jbuyd webar ifo se - Jan 27 2022

web aug 2 2023 the negro spiritual jbuyd author webar ifo se 2023 08 02 04 36 28 subject the negro spiritual jbuyd
keywords the negro spiritual jbuyd created
[the negro spiritual jbuyd jetpack theaoi](#) - Jul 01 2022
web the negro spiritual jbuyd jetpack theaoi com author aaron bodenstein jetpack theaoi com subject the negro spiritual
jbuyd jetpack theaoi com keywords
[thenegrospiritaljbuyd pdf sshauth strayos](#) - Dec 26 2021
web thenegrospiritaljbuyd 1 thenegrospiritaljbuyd thenegrospiritaljbuyd downloaded from sshauth strayos com by guest
joseph edwards best sellers
[thenegrospiritaljbuyd](#) - Feb 25 2022
web pdf the negro spiritual jbuyd pdf 3 web 1 thenegrospiritaljbuyd pdf if you ally obsession such a referred
thenegrospiritaljbuyd pdf book that will come up with negro
[the negro spiritual origins and themes jstor](#) - Jun 12 2023
web of the rhythmic pattern of the spiritual with the larger body of indigenous african music can best be understood in this
light but the spirituals as we know them are more than
[the negro spiritual jbuyd uniport edu ng](#) - Mar 29 2022
web apr 16 2023 the negro spiritual jbuyd 1 1 downloaded from uniport edu ng on april 16 2023 by guest the negro spiritual
jbuyd yeah reviewing a ebook the negro spiritual
print ed364854 tif 29 pages eric - Oct 04 2022
web the spiritual then is the spirit of the people struggling to be free it is their religion their source of strength in a time of
trouble hamm 1988 if one does not know what trouble
[where to download geo joke 2002 nasco joke 46 answers](#) - Nov 07 2022
web sep 16 2022 geo joke 2002 nasco answers 35 vpn sigecloud com br geo joke worksheets 2002 nasco round your
answers to the nearest tenth to figure out the joke place the letter of each problem above the answer on the llne s below
some blanks will go unfilled 6 cm 8 ft 13 in 27m
[geo joke 2002 nasco answers joke 46 copy verify meetcircle](#) - Jan 09 2023
web geo joke 2002 nasco joke 46 answers nongteore joke 7 no joking around solve for the mlsslno angle geo joke worksheets
answers 2002 nasco 19 and 20
[geo joke 2002 nasco joke 46 answers pdf download only](#) - Apr 12 2023
web introduction geo joke 2002 nasco joke 46 answers pdf download only security operations management robert mccrie
2011 03 31 the second edition of security operations management continues as the seminal reference on corporate security

management operations

geo joke 2002 nasco joke 46 answers pdf full pdf - Jul 15 2023

web title geo joke 2002 nasco joke 46 answers pdf full pdf digitalworkgroup skidmore edu created date 9 8 2023 4 42 35 pm

geography jokes hilarious test answers teacherplanet com - Jun 02 2022

web geography jokes hilarious test answers climate is caused by the emotion of the earth around the sun the people of japan ride around in jig saws the plains of siberia are roamed over by the lynx and the larynx lindberg is the capital of germany the chief animals of australia are the kangaroo larkspur boomerang and peccadillo

geo joke 2002 nasco joke 46 answers pdf uniport edu - May 13 2023

web apr 3 2023 geo joke 2002 nasco joke 46 answers 2 9 downloaded from uniport edu ng on april 3 2023 by guest discover is that money from these charities has funded conflicts across the world from the early days in afghanistan to subsequent terrorist activities in asia africa palestine and most recently europe and the united states

geo joke 2002 nasco joke 46 answers pdf download only - Feb 10 2023

web geo joke 2002 nasco joke 46 answers pdf pages 3 24 geo joke 2002 nasco joke 46 answers pdf upload mia y boyle 3 24 downloaded from china int indonesia travel on september 4 2023 by mia y boyle differentiation and the day to day teaching that makes it work miki murray and jenny jorgensen present everything you need to get started and to

geo joke 2002 nasco answers joke 46 susan o connell - Jun 14 2023

web you could speedily download this geo joke 2002 nasco answers joke 46 after getting deal so taking into consideration you require the book swiftly you can straight get it

geo joke 2002 nasco answers joke 46 pdf toolbelt86 info - May 01 2022

web mar 14 2023 collections geo joke 2002 nasco answers joke 46 pdf that we will entirely offer it is not all but the costs its approximately what you craving currently this geo joke 2002 nasco answers joke 46 pdf as one of the most enthusiastic sellers here will agreed be in the midst of the best options to review

geo joke 2002 nasco 46 answers pdf las gnome - Oct 06 2022

web jan 22 2023 geo joke 2002 nasco 46 answers 1 1 downloaded from las gnome org on january 22 2023 by guest geo joke 2002 nasco 46 answers yeah reviewing a book geo joke 2002 nasco 46 answers could go to your close friends listings this is just one of the solutions for you to be successful as understood success does not recommend

26 geography jokes that are where it s at beano com - Jan 29 2022

web may 15 2023 when you re finished laughing at these travel over to our hysterical history jokes clever chemistry jokes or even some marvelous maths jokes for more comedy inspiration head over to beano s great joke generator

geo joke 2002 nasco answers joke 46 patrizio barbieri 2023 - Dec 08 2022

web feb 26 2023 [geo joke 2002 nasco answers joke 46](#) eventually you will unquestionably discover a further experience and achievement by spending more cash nevertheless when do you agree to that you require to get those every needs taking into account having significantly cash why dont you attempt to get something basic in the

geo joke 2002 nasco answers ftp popcake - Mar 11 2023

web [geo joke worksheets answers 2002 nasco 19 and 20](#) [geo joke 2002 nasco answers chimerayanartas com geo joke worksheets 2002 nasco joke 4 joomlaxe com geo joke 2002 nasco joke 46 answers nongteore geo joke worksheets 2002 nasco answers joke 30 yahoo geo joke 2002 nasco answers 2002 geo](#)

geo joke worksheets nasco math with mills - Aug 16 2023

web to figure out the joke place the letter of each problem above the answer on the line s below some blanks will go unfilled 15 14 2 13 2 30 2 33 5 25 74 13 10 [joke 31 2 46 triangles pythagorean theorem 22 geo joke worksheets 2002 nasco](#)

best geography jokes ever unijokes com 93 geography jokes - Feb 27 2022

web the best geography jokes a cowboy rode into town and stopped at a saloon for a drink unfortunately the locals always had a habit of picking on strangers which he was when he finished his drink he found his horse had been stolen he went back into the bar handily flipped his gun into the air caught it above his head without even looking

geography jokes clean geography jokes fun kids jokes - Dec 28 2021

web these jokes about geography are great for parents grandparents teachers cartographers travelers scientists and anyone looking to share some laughs relating to geography especially children these are geography themed jokes so it includes jokes about maps countries regions u s states latitude longitude cartography and more

[geo joke 2002 nasco answers joke 35 pdf copy support ortax](#) - Mar 31 2022

web [geo joke 2002 nasco answers joke 35 pdf pages 4 13](#) [geo joke 2002 nasco answers joke 35 pdf upload mia y robertson 4 13](#) downloaded from support ortax org on september 3 2023 by mia y robertson focuses in greater detail on the us scene and its comedians such as david cross sarah silverman louis ck demetri martin and

[geo joke 2002 nasco answers polygon old vulkk](#) - Sep 05 2022

web [geo joke worksheets answers 2002 nasco 19 and 20](#) [geo joke 2002 nasco answers geometry joke worksheets geo joke worksheets 2002 nasco answers joke 30 yahoo what do you call a cook that leaves arby s answers com scanned document nasco s geo joke worksheets book 2002 worldcat org geo joke 2002](#)

geo joke worksheets 2002 nasco answers joke weebly - Aug 04 2022

web continue [geo joke worksheets 2002 nasco answers joke in stock ships within 1 2 business days add to list grades 8 12 by christine a koers bs ms reproducible activities for the following topics segments angles and lines triangles polygons circles and 3 d shapes constructions and proofs](#)

geo joke 2002 nasco answers joke 46 pdf pdf voto uncal edu - Jul 03 2022

web reviewing geo joke 2002 nasco answers joke 46 pdf unlocking the spellbinding force of linguistics in a fast paced world fueled by information and interconnectivity the spellbinding force of linguistics has acquired newfound prominence its capacity to evoke emotions stimulate contemplation and stimulate metamorphosis is really astonishing