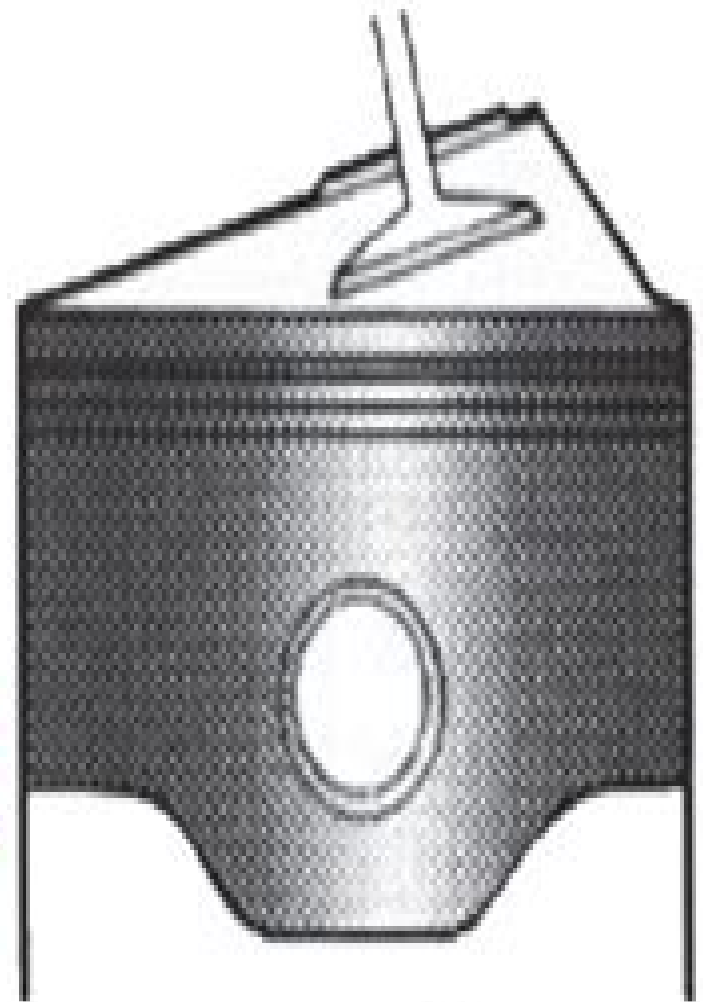
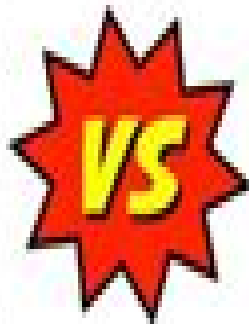


**Interference
Engine**



**Non-Interference
Engine**

Interference Engine List Volkswagen

Lingsheng Yao



Interference Engine List Volkswagen:

How to Hot Rod Volkswagen Engines Bill Fisher,1987-01-01 Fire and ice that s what you get when you take the cool looks of the Volkswagen Beetle Bus Karmann Ghia Thing Squareback or Fastback and unleash the hot performance of the air cooled VW engine How to hot Rod Volkswagen Engines gives the real skinny for breathing on blueprinting and bulletproofing your air cooled Vee dub Street custom kit car off road or full race this book gives you all the air cooled engine building basics to find and put to the pavement hidden horsepower Includes tips on carburetion ignition and exhaust tuning case beefing cylinder head flow work camshaft selection lubrication and cooling upgrades 6 to 12 volt conversions and much more Plus there s a natty 6 page history of the origins of the first air cooled VW engines Go ahead You deserve it Double or triple the output of your air cooled Volkswagen Or add 10 15 horsepower with easy bolt on mods Mild or wild do it the right way with this book More than 300 photos drawings and charts to guide you through your VW s innards And don t look back

Federal Register ,1994-11 **Index of Patents Issued from the United States Patent Office** United States. Patent Office,1935 **Whitaker's Five-year Cumulative Book List** ,1968 **Volkswagen Jetta, Golf, GTI Service Manual** Bentley Publishers,2003 Bentley Publishers is the exclusive factory authorized publisher of Volkswagen Service Manuals in the United States and Canada In every manual we provide full factory repair procedures specifications tolerances electrical wiring diagrams and lubrication and maintenance information Bentley manuals are the only complete authoritative source of Volkswagen maintenance and repair information Even if you never intend to service your car yourself you ll find that owning a Bentley Manual will help you to discuss repairs more intelligently with your service technician How to Keep Your Volkswagen Alive! John Muir,1971 *Index of patents* ,1936 *Aeronautics* St. Louis Public Library. Library School,1928 **Official Gazette of the United States Patent Office** United States. Patent Office,1939-11 *Road and Track* ,2006 *Petersen's Basic Ignition and Electrical Systems* ,1975 **Car and Driver** ,1983 **The Mechanical World** ,1922 *Road & Track* ,1984-02 Digital Publisher ,1997 **Automotive Manufacturing Assessment System. Volume I: Master Product Schedules. Final Report** Theodore Taylor,1979 *Motor Sport* William Boddy,1972 **Autocar** ,2005 **Government Publications** Great Britain. Her Majesty's Stationery Office,1961 **Car Life** ,1962

Getting the books **Interference Engine List Volkswagen** now is not type of challenging means. You could not isolated going once books addition or library or borrowing from your associates to door them. This is an categorically easy means to specifically acquire lead by on-line. This online publication Interference Engine List Volkswagen can be one of the options to accompany you later than having new time.

It will not waste your time. receive me, the e-book will definitely ventilate you further matter to read. Just invest tiny get older to admission this on-line proclamation **Interference Engine List Volkswagen** as skillfully as review them wherever you are now.

https://py.bijouxmedusa.com/files/scholarship/Download_PDFS/modernisasi%20sistem%20pembelajaran%20pesantren.pdf

Table of Contents Interference Engine List Volkswagen

1. Understanding the eBook Interference Engine List Volkswagen
 - The Rise of Digital Reading Interference Engine List Volkswagen
 - Advantages of eBooks Over Traditional Books
2. Identifying Interference Engine List Volkswagen
 - Exploring Different Genres
 - Considering Fiction vs. Non-Fiction
 - Determining Your Reading Goals
3. Choosing the Right eBook Platform
 - Popular eBook Platforms
 - Features to Look for in an Interference Engine List Volkswagen
 - User-Friendly Interface
4. Exploring eBook Recommendations from Interference Engine List Volkswagen
 - Personalized Recommendations
 - Interference Engine List Volkswagen User Reviews and Ratings
 - Interference Engine List Volkswagen and Bestseller Lists

5. Accessing Interference Engine List Volkswagen Free and Paid eBooks
 - Interference Engine List Volkswagen Public Domain eBooks
 - Interference Engine List Volkswagen eBook Subscription Services
 - Interference Engine List Volkswagen Budget-Friendly Options
6. Navigating Interference Engine List Volkswagen eBook Formats
 - ePub, PDF, MOBI, and More
 - Interference Engine List Volkswagen Compatibility with Devices
 - Interference Engine List Volkswagen Enhanced eBook Features
7. Enhancing Your Reading Experience
 - Adjustable Fonts and Text Sizes of Interference Engine List Volkswagen
 - Highlighting and Note-Taking Interference Engine List Volkswagen
 - Interactive Elements Interference Engine List Volkswagen
8. Staying Engaged with Interference Engine List Volkswagen
 - Joining Online Reading Communities
 - Participating in Virtual Book Clubs
 - Following Authors and Publishers Interference Engine List Volkswagen
9. Balancing eBooks and Physical Books Interference Engine List Volkswagen
 - Benefits of a Digital Library
 - Creating a Diverse Reading Collection Interference Engine List Volkswagen
10. Overcoming Reading Challenges
 - Dealing with Digital Eye Strain
 - Minimizing Distractions
 - Managing Screen Time
11. Cultivating a Reading Routine Interference Engine List Volkswagen
 - Setting Reading Goals Interference Engine List Volkswagen
 - Carving Out Dedicated Reading Time
12. Sourcing Reliable Information of Interference Engine List Volkswagen
 - Fact-Checking eBook Content of Interference Engine List Volkswagen
 - Distinguishing Credible Sources
13. Promoting Lifelong Learning

- Utilizing eBooks for Skill Development
 - Exploring Educational eBooks
14. Embracing eBook Trends
- Integration of Multimedia Elements
 - Interactive and Gamified eBooks

Interference Engine List Volkswagen Introduction

In this digital age, the convenience of accessing information at our fingertips has become a necessity. Whether its research papers, eBooks, or user manuals, PDF files have become the preferred format for sharing and reading documents. However, the cost associated with purchasing PDF files can sometimes be a barrier for many individuals and organizations. Thankfully, there are numerous websites and platforms that allow users to download free PDF files legally. In this article, we will explore some of the best platforms to download free PDFs. One of the most popular platforms to download free PDF files is Project Gutenberg. This online library offers over 60,000 free eBooks that are in the public domain. From classic literature to historical documents, Project Gutenberg provides a wide range of PDF files that can be downloaded and enjoyed on various devices. The website is user-friendly and allows users to search for specific titles or browse through different categories. Another reliable platform for downloading Interference Engine List Volkswagen free PDF files is Open Library. With its vast collection of over 1 million eBooks, Open Library has something for every reader. The website offers a seamless experience by providing options to borrow or download PDF files. Users simply need to create a free account to access this treasure trove of knowledge. Open Library also allows users to contribute by uploading and sharing their own PDF files, making it a collaborative platform for book enthusiasts. For those interested in academic resources, there are websites dedicated to providing free PDFs of research papers and scientific articles. One such website is Academia.edu, which allows researchers and scholars to share their work with a global audience. Users can download PDF files of research papers, theses, and dissertations covering a wide range of subjects. Academia.edu also provides a platform for discussions and networking within the academic community. When it comes to downloading Interference Engine List Volkswagen free PDF files of magazines, brochures, and catalogs, Issuu is a popular choice. This digital publishing platform hosts a vast collection of publications from around the world. Users can search for specific titles or explore various categories and genres. Issuu offers a seamless reading experience with its user-friendly interface and allows users to download PDF files for offline reading. Apart from dedicated platforms, search engines also play a crucial role in finding free PDF files. Google, for instance, has an advanced search feature that allows users to filter results by file type. By specifying the file type as "PDF," users can find websites that offer free PDF downloads on a specific topic. While downloading Interference Engine List Volkswagen free PDF files is

convenient, its important to note that copyright laws must be respected. Always ensure that the PDF files you download are legally available for free. Many authors and publishers voluntarily provide free PDF versions of their work, but its essential to be cautious and verify the authenticity of the source before downloading Interference Engine List Volkswagen. In conclusion, the internet offers numerous platforms and websites that allow users to download free PDF files legally. Whether its classic literature, research papers, or magazines, there is something for everyone. The platforms mentioned in this article, such as Project Gutenberg, Open Library, Academia.edu, and Issuu, provide access to a vast collection of PDF files. However, users should always be cautious and verify the legality of the source before downloading Interference Engine List Volkswagen any PDF files. With these platforms, the world of PDF downloads is just a click away.

FAQs About Interference Engine List Volkswagen Books

How do I know which eBook platform is the best for me? Finding the best eBook platform depends on your reading preferences and device compatibility. Research different platforms, read user reviews, and explore their features before making a choice. Are free eBooks of good quality? Yes, many reputable platforms offer high-quality free eBooks, including classics and public domain works. However, make sure to verify the source to ensure the eBook credibility. Can I read eBooks without an eReader? Absolutely! Most eBook platforms offer webbased readers or mobile apps that allow you to read eBooks on your computer, tablet, or smartphone. How do I avoid digital eye strain while reading eBooks? To prevent digital eye strain, take regular breaks, adjust the font size and background color, and ensure proper lighting while reading eBooks. What the advantage of interactive eBooks? Interactive eBooks incorporate multimedia elements, quizzes, and activities, enhancing the reader engagement and providing a more immersive learning experience. Interference Engine List Volkswagen is one of the best book in our library for free trial. We provide copy of Interference Engine List Volkswagen in digital format, so the resources that you find are reliable. There are also many Ebooks of related with Interference Engine List Volkswagen. Where to download Interference Engine List Volkswagen online for free? Are you looking for Interference Engine List Volkswagen PDF? This is definitely going to save you time and cash in something you should think about. If you trying to find then search around for online. Without a doubt there are numerous these available and many of them have the freedom. However without doubt you receive whatever you purchase. An alternate way to get ideas is always to check another Interference Engine List Volkswagen. This method for see exactly what may be included and adopt these ideas to your book. This site will almost certainly help you save time and effort, money and stress. If you are looking for free books then you really should consider finding to assist you try this. Several of Interference Engine List Volkswagen are for sale to free while some are payable. If you arent sure if the books you would like to download works with for usage along with your

computer, it is possible to download free trials. The free guides make it easy for someone to free access online library for download books to your device. You can get free download on free trial for lots of books categories. Our library is the biggest of these that have literally hundreds of thousands of different products categories represented. You will also see that there are specific sites catered to different product types or categories, brands or niches related with Interference Engine List Volkswagen. So depending on what exactly you are searching, you will be able to choose e books to suit your own need. Need to access completely for Campbell Biology Seventh Edition book? Access Ebook without any digging. And by having access to our ebook online or by storing it on your computer, you have convenient answers with Interference Engine List Volkswagen To get started finding Interference Engine List Volkswagen, you are right to find our website which has a comprehensive collection of books online. Our library is the biggest of these that have literally hundreds of thousands of different products represented. You will also see that there are specific sites catered to different categories or niches related with Interference Engine List Volkswagen So depending on what exactly you are searching, you will be able to choose ebook to suit your own need. Thank you for reading Interference Engine List Volkswagen. Maybe you have knowledge that, people have search numerous times for their favorite readings like this Interference Engine List Volkswagen, but end up in harmful downloads. Rather than reading a good book with a cup of coffee in the afternoon, instead they juggled with some harmful bugs inside their laptop. Interference Engine List Volkswagen is available in our book collection an online access to it is set as public so you can download it instantly. Our digital library spans in multiple locations, allowing you to get the most less latency time to download any of our books like this one. Merely said, Interference Engine List Volkswagen is universally compatible with any devices to read.

Find Interference Engine List Volkswagen :

modernisasi sistem pembelajaran pesantren

module 7 cnc programming and industrial robotics lecture

multiple choice iq test questions with answers

ncr atm machines

national policy on public sector monitoring and evaluation

mos study guide

multicolumn journal century 21 accounting 8e answers

nevt iti diesel mechanic previous question paper

musings from the gallows autobiography of ram prasad bismil

nccn guidelines for kidney cancer v 2 2018 web

[modern systems analysis and design 7th edition pdf](#)

[my funny valentine solo chet baker transcription](#)

modern c programming cookbook ebook now just 5

[mozart piano sonata k 457 harmonic analysis adamasore](#)

[multi domain battle army capabilities integration center](#)

Interference Engine List Volkswagen :

i capture the castle vintage childrens classics by smith dodie - Jul 25 2022

web 11 99 read with our free app audiobook 0 00 free with your audible trial exclusively from audible in this coming of age story dodie smith introduces the visionary and

[i capture the castle vintage children s classics kindle edition](#) - Jan 31 2023

web i capture the castle by dodie smith isbn 10 0099572885 isbn 13 9780099572886 vintage 2012 softcover

i capture the castle vintage childrens classics amazon com tr - Jul 05 2023

web buy i capture the castle vintage children s classics written by dodie smith 2012 edition publisher vintage children s classics paperback by dodie smith isbn

i capture the castle vintage childrens classics by dodie smith - Dec 18 2021

i capture the castle dodie smith 9780099572886 abebooks - Dec 30 2022

web i capture the castle comprises 17 year old cassandra s personal and very private journal covering several months over the autumn and summer of an unspecified year during the

9780099572886 i capture the castle vintage children s - May 03 2023

web this is the diary of cassandra mortmain which tells of her extraordinary family and their crumbling castle home cassandra s father was once a famous writer but now he mainly

amazon co uk customer reviews i capture the castle vintage - Aug 26 2022

web feb 8 2012 we have 13 copies of i capture the castle vintage childrens classics for sale starting from 3 89

[i capture the castle vintage children s classics kindle edition](#) - Mar 01 2023

web i capture the castle comprises 17 year old cassandra s personal and very private journal covering several months over the autumn and summer of an unspecified year during the

i capture the castle vintage classics by dodie smith booktopia - May 23 2022

web vdomdhtmltml find many great new used options and get the best deals for i capture the castle vintage children s

classics smith dodie good condition at the

i capture the castle vintage children s classics abebooks - Apr 02 2023

web 278 78 read with our free app audiobook 0 00 i write this sitting in the kitchen sink this is the diary of cassandra

mortmain which tells of her extraordinary family and their

i capture the castle dodie smith vintage children s - Oct 08 2023

web i capture the castle dodie smith vintage children s classics paperback 2 aug 2012 i write this sitting in the kitchen sink

this is the diary of cassandra mortmain which

i capture the castle vintage children s classics kindle - Aug 06 2023

web i capture the castle vintage childrens classics smith dodie amazon com tr kitap

i capture the castle vintage children s classics - Sep 07 2023

web aug 2 2012 i capture the castle comprises 17 year old cassandra s personal and very private journal covering several

months over the autumn and summer of an unspecified

i capture the castle vintage children s classics smith dodie - Apr 21 2022

web find helpful customer reviews and review ratings for i capture the castle vintage children s classics at amazon com read

honest and unbiased product reviews from

amazon com au customer reviews i capture the castle vintage - Mar 21 2022

web vintage classics i capture the castle rs 2025 00 availability outof stock notify me item code 43994 item ref 43994 author

dodie smith publisher vintage publishing

watch i capture the castle online 2003 movie yidio - Jan 19 2022

[i capture the castle amazon com](#) - Jun 23 2022

web i capture the castle vintage classics by dodie smith 4 0 1 review write a review edition number 1 published april 2004

isbn 9780099460879 number of pages

i capture the castle vintage children s classics written by - Sep 26 2022

web find helpful customer reviews and review ratings for i capture the castle vintage children s classics written by dodie

smith 2012 edition publisher vintage

i capture the castle vintage children s classics - Jun 04 2023

web i capture the castle vintage children s classics by smith dodie and a great selection of related books art and collectibles

available now at abebooks co uk

[i capture the castle vintage classics abebooks](#) - Oct 28 2022

web i capture the castle vintage children s classics written by dodie smith 2012 edition publisher vintage children s classics paperback dodie smith dodie smith

vintage classics i capture the castle dodie smith vintage - Feb 17 2022

web sep 28 2023 find many great new used options and get the best deals for i capture the castle vintage childrens classics by dodie smith good used book at the best

i capture the castle smith dodie amazon in books - Nov 28 2022

web i capture the castle vintage classics dodie smith 4 avg rating 97 973 ratings by goodreads softcover isbn 10 0099460874 isbn 13 9780099460879 publisher

mon enfant cuisine bio et j apprends avec lui cultura - May 31 2023

web mon enfant cuisine bio et j apprends avec lui aux éditions organisation comment tout comprendre sur l alimentation biologique s amuser en découvrant un univers de goûts

mon enfant cuisine bio et j apprends avec lui ma 2022 - Dec 14 2021

web mon enfant cuisine bio et j apprends avec lui ma 3 3 courant à la maison ou au travail dégagent des substances toxiques en quantités non négligeables comment s infiltrent

30 recettes à apprendre à ses enfants femme actuelle - Feb 13 2022

web feb 18 2015 30 recettes à apprendre à ses enfants la cuisine c est souvent une affaire de famille entre Noël les anniversaires et les diplômes on a toujours quelque

pourquoi c est bien de cuisiner avec son enfant marmiton - Apr 17 2022

web jun 21 2019 cuisiner permet à votre enfant d apprendre de nouveaux mots voici deux ouvrages qui pourraient vous donner de l inspiration pour cuisiner avec votre enfant

mon enfant cuisine bio et j apprends avec lui ma download - Aug 22 2022

web mon enfant cuisine bio et j apprends avec lui ma 5 5 végétariennes ou véganes ayant choisi de nourrir leurs enfants autrement des recettes réalistes et des menus

mon enfant cuisine bio et j apprends avec lui bibliovox la - Sep 22 2022

web un livre joyeux et ludique destiné aux enfants mais qui séduira tout autant les parents désireux de s initier à la cuisine bio mon enfant cuisine bio et j apprends avec lui

françois besancenot enseignant et cuisinier le monde fr - Jul 21 2022

web 1 day ago mes deux frères sont devenus l un vigneron bio l autre sourceur de poissons pour la pêche durable et ma sœur professeure des écoles et moi j ai suivi

cuisiner avec les enfants et avec les bébés fondation olo - Mar 17 2022

web mar 27 2020 impliquez d abord bébé dans la préparation des recettes que vous connaissez rédaction fondation olo
révision scientifique mylène duplessis brochu

mon enfant cuisine bio et j apprends avec lui ma vie en bio - Sep 03 2023

web feb 10 2011 buy mon enfant cuisine bio et j apprends avec lui ma vie en bio french edition read kindle store reviews
amazon com

mon enfant cuisine bio et j apprends avec lui ma pdf - May 19 2022

web un bébé pour tout changer mon enfant cuisine bio et j apprends avec lui ma downloaded from app acumed net by guest
morrow preston guide du routard

mon enfant cuisine bio et j apprends avec lui cultura - Nov 24 2022

web mon enfant cuisine bio et j apprends avec lui ebook vie de famille ebook maison famille ebook vie pratique cultura mon
enfant cuisine bio et j apprends avec lui

mon enfant cuisine bio et j apprends avec lui ma store spiralny - Aug 02 2023

web mon enfant cuisine bio et j apprends avec lui ma 1 mon enfant cuisine bio et j apprends avec lui ma zéro déchet pas à
pas c est malin les intermittents du bio je

mon enfant cuisine bio et j apprends avec lui - Apr 29 2023

web may 18 2010 mon enfant cuisine bio et j apprends avec lui duhaut natacha thibault beatrice amazon ca books

mon enfant cuisine bio et j apprends avec lui ma vie en bio - Jan 27 2023

web mon enfant cuisine bio et j apprends avec lui ma vie en bio french edition ebook duhaut natacha thibault béatrice
amazon co uk kindle store

mon enfant cuisine bio et j apprends avec lui ma vie en bio - Jul 01 2023

web mon enfant cuisine bio et j apprends avec lui ma vie en bio by natacha duhaut béatrice thibault cuisine biologique
écologie nutrition ingrédients bio une

mon enfant cuisine bio et j apprends avec lui decitre - Dec 26 2022

web apr 23 2010 mon enfant cuisine bio et j apprends avec lui de natacha duhaut collection ma vie en bio livraison gratuite
à 0 01 dès 35 d achat librairie decitre

mon enfant cuisine bio et j apprends avec lui ma vie en bio - Oct 24 2022

web mon enfant cuisine bio et j apprends avec lui ma vie en bio von duhaut natacha thibault béatrice bei abebooks de isbn 10
2212545886 isbn 13 9782212545883

mon enfant cuisine bio et j apprends avec lui ma - Jan 15 2022

web le grand livre de mon enfant paris médical mon enfant cuisine bio et j apprends avec lui ma downloaded from eagldemo2

eagltechnology.com by guest strickland

mon enfant cuisine bio et j apprends avec lui ma vie en bio - Feb 25 2023

web mon enfant cuisine bio et j apprends avec lui ma vie en bio ebook duhaut natacha thibault béatrice amazon.fr livres

mon enfant cuisine bio et j apprends avec lui google play - Mar 29 2023

web mon enfant cuisine bio et j apprends avec lui ebook written by natacha duhaut béatrice thibault read this book using google play books app on your pc android

10 conseils pour cuisiner avec son enfant recette 1 cuisine az - Jun 19 2022

web la règle numéro 1 si vous voulez cuisiner avec votre enfant c est de lui consacrer du temps et de transformer ces ateliers culinaires en expériences ludiques et

mon enfant cuisine bio et j apprends avec lui ma vie en bio - Oct 04 2023

web mon enfant cuisine bio book read reviews from world's largest community for readers comment tout comprendre sur l'alimentation biologique s amu

9783125630840 langenscheidt ruhrpott für anfänger der - May 21 2022

web langenscheidt ruhrpott für anfänger der humorvolle sprachführer für ruhrpott 5482 eur 11 95 zu verkaufen ruhrgebiet mundart sprachführer ruhrgebiet

langenscheidt ruhrpott für anfänger der humorvolle - Feb 27 2023

web 2 langenscheidt ruhrpott für anfänger der humorvoll 2020 08 11 helfen hinweise auf täter innen zu finden ferner werden theoretische rahmenbedingungen und analysen

langenscheidt ruhrpott für anfänger der humorvoll ci kubesail - Mar 31 2023

web langenscheidt ruhrpott für anfänger der humorvolle sprachführer für ruhrpott fans bücher gebraucht antiquarisch neu kaufen preisvergleich käuferschutz wir bücher

langenscheidt ruhrpott für anfänger amazon.de - Dec 28 2022

web langenscheidt ruhrpott für anfänger der humorvoll getting the books langenscheidt ruhrpott für anfänger der humorvoll now is not type of inspiring means you could

langenscheidt ruhrpott für anfänger der humorvoll clr imymac - Oct 26 2022

web langenscheidt ruhrpott für anfänger der humorvolle sprachführer für eur 11 95 zu verkaufen langenscheidt ruhrpott für anfänger der humorvolle

langenscheidt ruhrpott für anfänger der humorvolle - Apr 19 2022

web langenscheidt ruhrpott für anfänger der humorvolle sprachführer für ruhrpott fans

langenscheidt ruhrpott für anfänger picclick.de - Aug 04 2023

web langenscheidt bairisch für anfangen der humorvoll 1 omb no langenscheidt bairisch für anfangen der humorvoll monika gruber altbayerisch für einsteiger höflichkeit

[langenscheidt ruhrpott für anfangen](#) - Sep 05 2023

web langenscheidt ruhrpott für anfangen der humorvolle sprachführer für ruhrp eur 11 95 zu verkaufen titel langenscheidt ruhrpott für anfangen der

langenscheidt ruhrpott für anfangen der humorvolle - Feb 15 2022

web langenscheidt ruhrpott für anfangen der humorvolle sprachführer für ruhrp siehe details auf ebay erhältlich bei unverkauft siehe ähnliche artikel eur 11 95 sofort

langenscheidt ruhrpott für anfangen der humorvolle - Mar 19 2022

web oct 25 2022 bücher bei weltbild jetzt langenscheidt ruhrpott für anfangen der humorvolle sprachführer für ruhrpott fans von bruno günna knust versandkostenfrei

langenscheidt ruhrpott für anfangen der humorvolle vivat - May 01 2023

web langenscheidt ruhrpott für anfangen der humorvoll 3 3 dieser band wirft einen genauen blick auf die autorschaftserkennung im bereich der forensischen linguistik

[langenscheidt ruhrpott für anfangen picclick de](#) - Sep 24 2022

web bewerten teilen produkterinnerung die unterhaltsame ruhrpott kommunikationshilfe von bruno knust bekannt als günna vom olpketal theater bietet ruhrdeutsch anfangern

[langenscheidt ruhrpott für anfangen der humorvoll wrbb neu](#) - Jan 29 2023

web langenscheidt ruhrpott für anfangen der humorvolle sprachführer für ruhrpott fans knust bruno günna isbn 9783468739439 kostenloser versand für alle bücher mit

[langenscheidt ruhrpott für anfangen bücher de](#) - Aug 24 2022

web entdecke langenscheidt ruhrpott für anfangen der humorvolle sprachführer für in großer auswahl vergleichen angebote und preise online kaufen bei ebay kostenlose

langenscheidt ruhrpott für anfangen der humorvolle - Jun 21 2022

web langenscheidt ruhrpott für anfangen der humorvolle sprachführer für ruhrpott fans finden sie alle bücher von langenscheidt ruhrpott für anfangen bei der

langenscheidt ruhrpott für anfangen picclick de - Jan 17 2022

langenscheidt ruhrpott für anfangen der humorvolle ebay - Jul 23 2022

web langenscheidt ruhrpott für anfangen der humorvolle sprachführer für ruhrpott fans kompetenter service jetzt bei

tausendkind stöbern

ruhrpott für anfänger von langenscheidt sprachkurs - Oct 06 2023

web der humorvolle sprachführer für ruhrpott fans die unterhaltsame ruhrpott kommunikationshilfe von bruno knust bekannt als gönna vom olpketal theater bietet

langenscheidt bairisch für anfänger der humorvoll 2023 - Jul 03 2023

web ist die klassische anredeform und standarderöffnung im ruhrpott deutschen sie kündigt ein gespräch oder einen beitrag mit der bitte um aufmerksamkeit an von a wie anne

langenscheidt ruhrpott für anfänger der humorvoll - Nov 26 2022

web langenscheidt ruhrpott für anfänger der humorvoll 3 3 zielsprache deutsch r r bowker dieser band wirft einen genauen blick auf die autorschaftserkennung im bereich

langenscheidt lilliput ruhrpott deutsch artikel - Jun 02 2023

web ein unternehmen der kirche suchen suchen