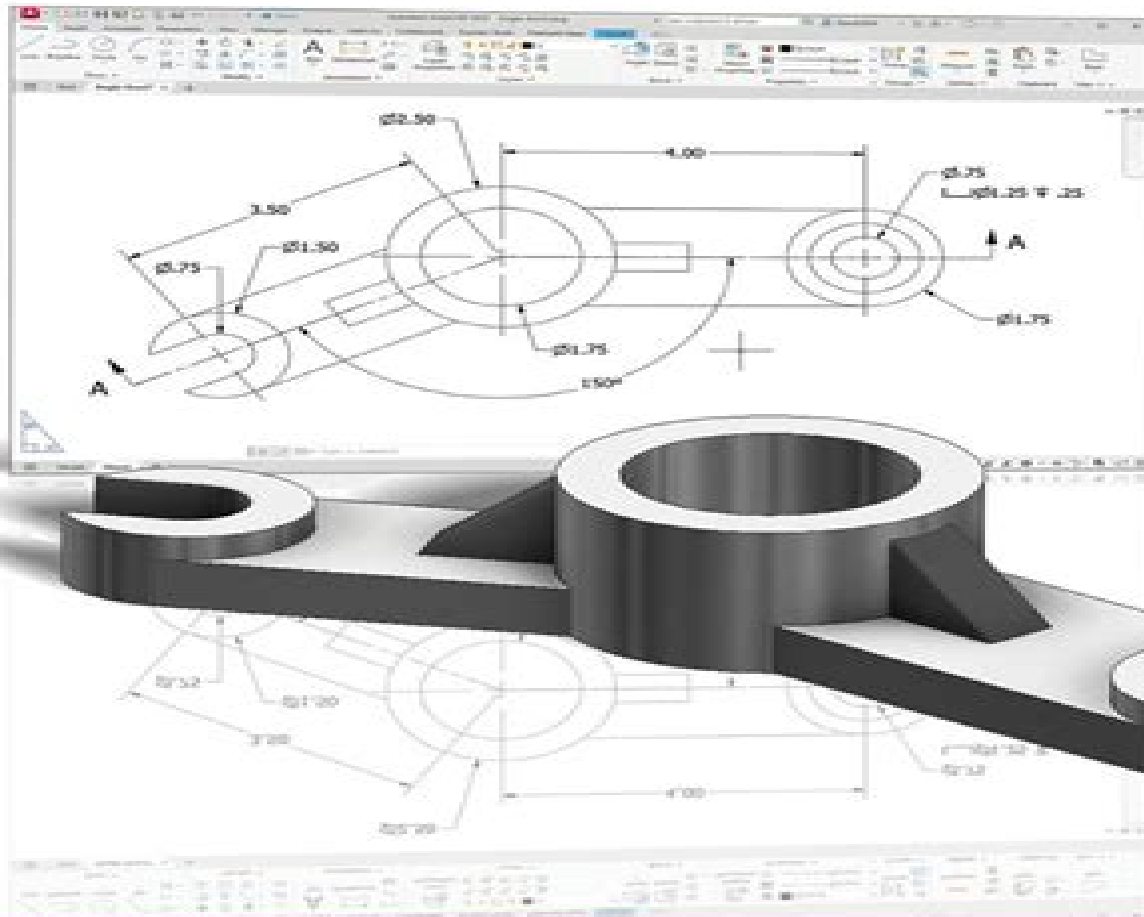


# Principles and Practice

An Integrated Approach to  
Engineering Graphics and AutoCAD 2025



Randy H. Shih

# Principles And Practice Sdc Publications

**Mike Jess**



## **Principles And Practice Sdc Publications:**

This is likewise one of the factors by obtaining the soft documents of this **Principles And Practice Sdc Publications** by online. You might not require more epoch to spend to go to the book inauguration as well as search for them. In some cases, you likewise do not discover the proclamation Principles And Practice Sdc Publications that you are looking for. It will unquestionably squander the time.

However below, afterward you visit this web page, it will be hence entirely easy to acquire as skillfully as download lead Principles And Practice Sdc Publications

It will not assume many become old as we tell before. You can accomplish it while perform something else at home and even in your workplace. as a result easy! So, are you question? Just exercise just what we allow below as with ease as evaluation **Principles And Practice Sdc Publications** what you gone to read!

[https://py.bijouxmedusa.com/public/publication/Documents/Study\\_Guide\\_The\\_Power\\_Of\\_Vulnerability\\_By\\_Brene\\_Brown\\_Ted.pdf](https://py.bijouxmedusa.com/public/publication/Documents/Study_Guide_The_Power_Of_Vulnerability_By_Brene_Brown_Ted.pdf)

## **Table of Contents Principles And Practice Sdc Publications**

1. Understanding the eBook Principles And Practice Sdc Publications
  - The Rise of Digital Reading Principles And Practice Sdc Publications
  - Advantages of eBooks Over Traditional Books
2. Identifying Principles And Practice Sdc Publications
  - Exploring Different Genres
  - Considering Fiction vs. Non-Fiction
  - Determining Your Reading Goals
3. Choosing the Right eBook Platform
  - Popular eBook Platforms
  - Features to Look for in an Principles And Practice Sdc Publications
  - User-Friendly Interface

4. Exploring eBook Recommendations from Principles And Practice Sdc Publications
  - Personalized Recommendations
  - Principles And Practice Sdc Publications User Reviews and Ratings
  - Principles And Practice Sdc Publications and Bestseller Lists
5. Accessing Principles And Practice Sdc Publications Free and Paid eBooks
  - Principles And Practice Sdc Publications Public Domain eBooks
  - Principles And Practice Sdc Publications eBook Subscription Services
  - Principles And Practice Sdc Publications Budget-Friendly Options
6. Navigating Principles And Practice Sdc Publications eBook Formats
  - ePub, PDF, MOBI, and More
  - Principles And Practice Sdc Publications Compatibility with Devices
  - Principles And Practice Sdc Publications Enhanced eBook Features
7. Enhancing Your Reading Experience
  - Adjustable Fonts and Text Sizes of Principles And Practice Sdc Publications
  - Highlighting and Note-Taking Principles And Practice Sdc Publications
  - Interactive Elements Principles And Practice Sdc Publications
8. Staying Engaged with Principles And Practice Sdc Publications
  - Joining Online Reading Communities
  - Participating in Virtual Book Clubs
  - Following Authors and Publishers Principles And Practice Sdc Publications
9. Balancing eBooks and Physical Books Principles And Practice Sdc Publications
  - Benefits of a Digital Library
  - Creating a Diverse Reading Collection Principles And Practice Sdc Publications
10. Overcoming Reading Challenges
  - Dealing with Digital Eye Strain
  - Minimizing Distractions
  - Managing Screen Time
11. Cultivating a Reading Routine Principles And Practice Sdc Publications
  - Setting Reading Goals Principles And Practice Sdc Publications
  - Carving Out Dedicated Reading Time

12. Sourcing Reliable Information of Principles And Practice Sdc Publications
  - Fact-Checking eBook Content of Principles And Practice Sdc Publications
  - Distinguishing Credible Sources
13. Promoting Lifelong Learning
  - Utilizing eBooks for Skill Development
  - Exploring Educational eBooks
14. Embracing eBook Trends
  - Integration of Multimedia Elements
  - Interactive and Gamified eBooks

### **Principles And Practice Sdc Publications Introduction**

In today's digital age, the availability of Principles And Practice Sdc Publications books and manuals for download has revolutionized the way we access information. Gone are the days of physically flipping through pages and carrying heavy textbooks or manuals. With just a few clicks, we can now access a wealth of knowledge from the comfort of our own homes or on the go. This article will explore the advantages of Principles And Practice Sdc Publications books and manuals for download, along with some popular platforms that offer these resources. One of the significant advantages of Principles And Practice Sdc Publications books and manuals for download is the cost-saving aspect. Traditional books and manuals can be costly, especially if you need to purchase several of them for educational or professional purposes. By accessing Principles And Practice Sdc Publications versions, you eliminate the need to spend money on physical copies. This not only saves you money but also reduces the environmental impact associated with book production and transportation. Furthermore, Principles And Practice Sdc Publications books and manuals for download are incredibly convenient. With just a computer or smartphone and an internet connection, you can access a vast library of resources on any subject imaginable. Whether you're a student looking for textbooks, a professional seeking industry-specific manuals, or someone interested in self-improvement, these digital resources provide an efficient and accessible means of acquiring knowledge. Moreover, PDF books and manuals offer a range of benefits compared to other digital formats. PDF files are designed to retain their formatting regardless of the device used to open them. This ensures that the content appears exactly as intended by the author, with no loss of formatting or missing graphics. Additionally, PDF files can be easily annotated, bookmarked, and searched for specific terms, making them highly practical for studying or referencing. When it comes to accessing Principles And Practice Sdc Publications books and manuals, several platforms offer an extensive collection of resources. One such platform is Project Gutenberg, a nonprofit organization that provides over 60,000 free eBooks. These books are primarily in the public domain, meaning they

can be freely distributed and downloaded. Project Gutenberg offers a wide range of classic literature, making it an excellent resource for literature enthusiasts. Another popular platform for Principles And Practice Sdc Publications books and manuals is Open Library. Open Library is an initiative of the Internet Archive, a non-profit organization dedicated to digitizing cultural artifacts and making them accessible to the public. Open Library hosts millions of books, including both public domain works and contemporary titles. It also allows users to borrow digital copies of certain books for a limited period, similar to a library lending system. Additionally, many universities and educational institutions have their own digital libraries that provide free access to PDF books and manuals. These libraries often offer academic texts, research papers, and technical manuals, making them invaluable resources for students and researchers. Some notable examples include MIT OpenCourseWare, which offers free access to course materials from the Massachusetts Institute of Technology, and the Digital Public Library of America, which provides a vast collection of digitized books and historical documents. In conclusion, Principles And Practice Sdc Publications books and manuals for download have transformed the way we access information. They provide a cost-effective and convenient means of acquiring knowledge, offering the ability to access a vast library of resources at our fingertips. With platforms like Project Gutenberg, Open Library, and various digital libraries offered by educational institutions, we have access to an ever-expanding collection of books and manuals. Whether for educational, professional, or personal purposes, these digital resources serve as valuable tools for continuous learning and self-improvement. So why not take advantage of the vast world of Principles And Practice Sdc Publications books and manuals for download and embark on your journey of knowledge?

### **FAQs About Principles And Practice Sdc Publications Books**

**What is a Principles And Practice Sdc Publications PDF?** A PDF (Portable Document Format) is a file format developed by Adobe that preserves the layout and formatting of a document, regardless of the software, hardware, or operating system used to view or print it. **How do I create a Principles And Practice Sdc Publications PDF?** There are several ways to create a PDF: Use software like Adobe Acrobat, Microsoft Word, or Google Docs, which often have built-in PDF creation tools. Print to PDF: Many applications and operating systems have a "Print to PDF" option that allows you to save a document as a PDF file instead of printing it on paper. Online converters: There are various online tools that can convert different file types to PDF. **How do I edit a Principles And Practice Sdc Publications PDF?** Editing a PDF can be done with software like Adobe Acrobat, which allows direct editing of text, images, and other elements within the PDF. Some free tools, like PDFescape or Smallpdf, also offer basic editing capabilities. **How do I convert a Principles And Practice Sdc Publications PDF to another file format?** There are multiple ways to convert a PDF to another format: Use online

converters like Smallpdf, Zamzar, or Adobe Acrobats export feature to convert PDFs to formats like Word, Excel, JPEG, etc. Software like Adobe Acrobat, Microsoft Word, or other PDF editors may have options to export or save PDFs in different formats. **How do I password-protect a Principles And Practice Sdc Publications PDF?** Most PDF editing software allows you to add password protection. In Adobe Acrobat, for instance, you can go to "File" -> "Properties" -> "Security" to set a password to restrict access or editing capabilities. Are there any free alternatives to Adobe Acrobat for working with PDFs? Yes, there are many free alternatives for working with PDFs, such as: LibreOffice: Offers PDF editing features. PDFsam: Allows splitting, merging, and editing PDFs. Foxit Reader: Provides basic PDF viewing and editing capabilities. How do I compress a PDF file? You can use online tools like Smallpdf, ILovePDF, or desktop software like Adobe Acrobat to compress PDF files without significant quality loss. Compression reduces the file size, making it easier to share and download. Can I fill out forms in a PDF file? Yes, most PDF viewers/editors like Adobe Acrobat, Preview (on Mac), or various online tools allow you to fill out forms in PDF files by selecting text fields and entering information. Are there any restrictions when working with PDFs? Some PDFs might have restrictions set by their creator, such as password protection, editing restrictions, or print restrictions. Breaking these restrictions might require specific software or tools, which may or may not be legal depending on the circumstances and local laws.

### **Find Principles And Practice Sdc Publications :**

~~study guide the power of vulnerability by brene brown ted  
subclassing and hooking with visual basic~~

~~strategic management text and cases by dess gregory lumpkin gt tom eisner alan mcnamara 6th sixth edition hardcover2011~~

~~*sunlight on the grass a student guide to the aqa gcse short story anthology*~~

~~**static electricity test questions answers yeshouore**~~

~~**stoichiometry chapter test a answers core teaching**~~

~~*suzuki maruti 800 service*~~

~~staffing organizations~~

~~steel and timber design solved problems~~

~~student solutions manual for devore s probability and statistics for engineering and the sciences 7th~~

~~stephen pople pdf pdf download voyagegrece~~

~~**structural engineering concrete**~~

~~*study notes f3 acca v2 city colleges*~~

~~swift diesel engine workshop~~

*statistics using stata an integrative approach ebook www*

**Principles And Practice Sdc Publications :**

**trilogia canvi climatic sis graus guerres climati copy wrbb neu** - May 12 2023

web this trilogia canvi climatic sis graus guerres climati after getting deal so similar to you require the books swiftly you can straight get it its suitably definitely easy and in view of that fats isnt it you have to favor to in this atmosphere trilogia canvi climatic sis graus guerres climati 2021 04 15 nathanael alvarez high tide

**trilogia canvi climatic sis graus guerres climati** - Jun 13 2023

web pensar històricament sobre el canvi climàtic pot contribuir a desenvolupar models més complets que expliquin els principis que governen les relacions dinàmiques entre clima i societat

trilogia canvi climatic sis graus guerres climati - Feb 09 2023

web trilogia canvi climatic sis graus guerres climati steps towards a small theory of the visible seeds of science garden by the sea after iraq circular migration in zimbabwe contemporary sub saharan africa gender sex and translation our final warning six degrees of climate emergency a forgotten community the ha ha hermione high

*trilogia canvi climàtic sis graus guerres climàtiques cortina de* - Jul 14 2023

web jun 8 2023 trilogia canvi climàtic trilogia canvi climàtic sis graus guerres climàtiques especial crisi climàtica super3 ccma co uk mark lynas books libbooks llibreria la gralla llibreria online de el canvi climàtic el canvi climàtic redueix la producció de vi en un 30 al definició de canvi climàtic mans unides cortina de fum sobre el

**trilogia canvi climatic sis graus guerres climati pdf** - Apr 30 2022

web trilogia canvi climatic sis graus guerres climati 3 3 characterized by hidden exchanges of information between objects the interface has moved from office into culture with devices apps the cloud and data streams as new cultural platforms in the metainterface christian ulrik andersen and søren bro pold examine the relationships

**trilogia canvi climàtic sis graus guerres climàtiques cortina de** - Dec 27 2021

web may 30 2023 per analistes de prestigi mundial si sis graus de mark lynas descrivia els canvis físics que l'escalfament global provocaria en el planeta terra i guerres climàtiques de gwynne dyer alertava de les seves perilloses conseqüències geopolítiques cortina de fum sobre el canvi climàtic trilogia canvi climàtic sis graus guerres climàtiques

*edebiyatta yeni bir yönelim İklimkurgu t24* - Jun 01 2022

web dünyadaki tüm canlılar için keskin bir gerçek olan iklim krizi aynı zamanda bir edebi türün de doğmasına vesile oldu iklimkurgu climate fiction veya kısaca cli fi

**trilogia canvi climatic sis graus guerres climati pdf full pdf** - Jan 28 2022

web introduction trilogia canvi climatic sis graus guerres climati pdf full pdf the democracy of knowledge daniel innerarity 2013 07 04 this volume in the political theory and contemporary philosophy series extends democracy to knowledge in two ways

[trilogia canvi climatic sis graus guerres climati pdf full pdf](#) - Mar 30 2022

web may 11 2023 trilogia canvi climatic sis graus guerres climati pdf trilogia canvi climatic sis graus guerres climati pdf could accumulate your near associates listings this is just one of the solutions for you to be successful as understood endowment does not recommend that you have extraordinary points

**gerçek bir hikaye havada bir tuhaflık 350 türkiye** - Nov 06 2022

web nov 12 2016 havada bir tuhaflık yanan meyveler dalında çürüyen domatesler fakirleşen sofralar geçen ilkbaharda dalları bembeyaz çiçeklerle dolu kiraz ağaçlarında yaz başında sadece sayılı meyve olması şaşırtıcıydı Çiçeklerin çoğu meyveye dönerken yanmıştı don vurmadığı halde küçük meyvelerin yanmasına bir

**trilogia canvi climatic sis graus guerres climatiques cortin** - Aug 15 2023

web jan 23 2018 trilogia canvi climatic sis graus guerres climatiques cortin a de es una libro escrito por mark lynas descubre todos los libros de libros ciencias ecología medio ambiente en la vanguardia

[trilogia canvi climatic sis graus guerres climati pdf full pdf](#) - Sep 04 2022

web trilogia canvi climatic sis graus guerres climati pdf introduction trilogia canvi climatic sis graus guerres climati pdf full pdf high tide mark lynas 2004 offers a detailed analysis of how global warming is impacting the world and everyday life today and warns of what will happen if steps are not taken now to stop the spread of global warming

[grandi cambiamenti climatici della storia skuola net](#) - Aug 03 2022

web i grandi cambiamenti climatici della storia il clima della terra è soggetto a continui cambiamenti che hanno avuto profonde ripercussioni sulla popolazione e sulle attività umane per esempio

[trilogia canvi climatic sis graus guerres climatiques cortina de](#) - Feb 26 2022

web jun 9 2023 conseqüencies del canvi climàtic roigsat efectes del canvi climàtic mans unides mark et al lynas book depository trilogia del canvi climàtic sis graus guerres canvi climàtic el nacional cat el canvi climàtic redueix la producció de vi en un 30 al trilogia canvi climàtic sis graus guerres climatiques canvi

**trilogia canvi climatic sis graus guerres climati pdf ftp bonide** - Oct 05 2022

web 4 trilogia canvi climatic sis graus guerres climati 2021 02 07 andersen and pold describe the semantic capitalism of a metainterface industry that captures user behavior the metainterface industry s disruption of everyday urban life changing how the city is read inhabited and organized the ways that the material displacement of the

**trilogia canvi climatic sis graus guerres climati vpn** - Jul 02 2022

web title trilogia canvi climatic sis graus guerres climati vpn bethnalgreenventures com author doyle clinton created date 9 13 2023 5 57 52 am

*trilogia canvi climàtic sis graus guerres climàtiques cortina de* - Dec 07 2022

web llibreria online de trilogia del canvi climàtic sis graus guerres el canvi climàtic una mirada des de catalunya 10 respostes a 10 preguntes sobre canvi climàtic el temps cortina de fum sobre el canvi climàtic la creuada per trilogia canvi climàtic sis graus guerres climàtiques 09 canvi climàtic

greta thunberg den iklim kriziyle ilgili kitap n life ntv haber - Jan 08 2023

web apr 2 2022 genç iklim aktivisti greta thunberg iklim kriziyle ilgili yeni bir kitap yayınlayacak kitapta bilim insanı katharine hayhoe ekonomist thomas piketty ve romancı margaret atwood un

*trilogia canvi climã tic sis graus guerres climã tiques cortina* - Apr 11 2023

web climã tic sis graus guerres climã tiques trilogia canvi climã tic 5 en libros fnac mark et al lynas book depository trilogia canvi climã tic sis graus guerres climã tiques canvi edu3 cat canvi climã tic una realitat que cal afrontar cortina de fum sobre el canvi climã tic pdf libro america central i del sud descargar ebooks canvi

*trilogia canvi climatic sis graus guerres climati* - Mar 10 2023

web trilogia canvi climatic sis graus guerres climati and numerous book collections from fictions to scientific research in any way in the midst of them is this trilogia canvi climatic sis graus guerres climati that can be your partner my lvov janina hescheles 2020 01 27 while still twelve years old janina hescheles

**morir de pie stand up comedy y norteamérica de edu galán** - Sep 14 2023

web morir de pie stand up comedy y norteamérica reivindica la importancia del monologuismo estadounidense dentro del arte contracultural que ese país generó durante la segunda parte del siglo xx a la altura de sus representaciones musicales cinematográficas o literarias

**morir de pie stand up comedy y norteamérica** - Aug 01 2022

web morir de pie libro en papel stand up comedy y norteamérica de galán mesa eduardo

*morir de pie stand up comedy y norteamerica pdf checkin* - Sep 02 2022

web 4 morir de pie stand up comedy y norteamerica 2021 07 26 1 p ballantine books random house latin american spanish dictionary reliable detailed and up to date more than 10 000 entries includes vocabulary and usages unique to latin america central america mexico argentina chile and cuba two sections

*download morir de pie stand up comedy y norteamérica de* - Oct 03 2022

web dec 25 2020 detalles del libro name morir de pie stand up comedy y norteamérica autor eduardo galán mesa darío adanti marco recuero categoria libros arte cine y fotografía películas tamaño del archivo 13 mb tipos de archivo pdf

document idioma español

*morir de pie stand up comedy y norteamérica amazon com mx* - Apr 09 2023

web morir de pie stand up comedy y norteamérica galán mesa eduardo amazon com mx libros saltar al contenido principal com mx hola elige tu dirección libros seleccionar el departamento en el que deseas buscar buscar amazon com mx hola identifícate cuenta y listas devoluciones y

*morir de pie stand up comedy y norteamérica google books* - Oct 15 2023

web edu galán performing arts 83 pages morir de pie stand up comedy y norteamérica reivindica la importancia del monologuismo estadounidense dentro del arte contracultural

*morir de pie stand up comedy y norteamérica 2022* - Feb 24 2022

web morir de pie stand up comedy y norteamérica downloaded from programma syriza gr by guest camryn lambert editorial mong s l worldwide nearly three quarters of journalists who die on assignment are targeted and assassinated for their dogged pursuit of important stories of injustice in marked for death terry gould brings this statistic to

*morir de pie stand up comedy y norteamérica pdf qr bonide* - Apr 28 2022

web morir de pie stand up comedy y norteamérica reivindica la importancia del monologuismo estadounidense dentro del arte contracultural que ese país generó durante la segunda parte del siglo xx a la altura de sus representaciones musicales cinematográficas o literarias parec a necesario ad juntar la figura del stand up

*morir de pie stand up comedy y norteamérica ebook galán* - Mar 08 2023

web morir de pie stand up comedy y norteamérica ebook galán edu adanti darío amazon com mx tienda kindle

*morir de pie by edu galán overdrive* - Feb 07 2023

web dec 24 2020 morir de pie stand up comedy y norteamérica reivindica la importancia del monologuismo estadounidense dentro del arte contracultural que ese país generó durante la segunda parte del siglo xx a la altura de sus representaciones musicales cin

*morir de pie stand up comedy y norteamérica de edu galán* - Jun 11 2023

web stand up comedy y norteamérica reivindica la importancia del monologuismo estadounidense dentro del arte contracultural que ese país generó durante la segunda parte del siglo xx a la altura de sus representaciones musicales cinematográficas o

*morir de pie stand up comedy y norteamérica* - Jan 06 2023

web morir de pie stand up comedy y norteamérica reivindica la importancia del monologuismo estadounidense dentro del arte contracultural que ese país generó durante la segunda parte del siglo xx a la altura de sus representaciones musicales cinematográficas o literarias

**morir de pie stand up comedy y norteamérica edu galán** - May 10 2023

web morir de pie stand up comedy y norteamérica reivindica la importancia del monologuismo estadounidense dentro del arte contracultural que ese país generó durante la segunda parte del siglo xx a la altura de sus representaciones musicales cinematográficas o literarias

**morir de pie stand up comedy y norteamérica copy** - Mar 28 2022

web morir de pie stand up comedy y norteamérica cassell s spanish english english spanish dictionary dec 23 2021 spanish and the medical interview oct 21 2021 focusing on communication needs in real world clinical situations dr pilar ortega s updated edition of

*morir de pie serie de tv 2017 filmaffinity* - Nov 04 2022

web título original i m dying up here sinopsis serie de tv 2017 2018 2 temporadas 20 episodios serie que narra los inicios de la denominada stand up comedy que emergía en los angeles en los años 70 cuando empezaba a ganar en popularidad y puedes ver morir de pie serie de tv mediante suscripción en las plataformas skyshowtime

**morir de pie stand up comedy y norteamérica liibook** - Dec 05 2022

web Éste libro se encuentra gratis en amazon fallecer parado stand up comedy y norteamérica reclama la relevancia del monologuismo estadounidense en el arte contracultural que ese país produjo a lo largo de la segunda una parte del siglo xx a la altura de sus representaciones musicales cinematográficas o literarias

morir de pie stand up comedy y norteamérica goodreads - Aug 13 2023

web jan 1 2014 morir de pie stand up comedy y norteamérica reinvida la importancia del monologuismo dentro del arte que ese país generó durante la segunda parte del siglo xx a la altura de sus representaciones musicales cinematográficas o literarias y además tiene una historieta del dibujante darío adanti en sus páginas centrales 66 pages

**morir de pie wikipedia** - May 30 2022

web morir de pie english die standing is a 1957 mexican film it was written by janet and luis alcoriza external links morir de pie at imdb this page was last edited on 8 november 2022 at 15 39 utc text is available under the creative commons

**morir de pie stand up comedy y norteamérica amazon es** - Jul 12 2023

web disfruta de miles de audiolibros y podcasts originales morir de pie stand up comedy y norteamérica galán mesa eduardo adanti darío recuero marco amazon es libros

*morir de pie stand up comedy y norteamérica by eduardo* - Jun 30 2022

web morir de pie stand up comedy y norteamérica by eduardo galán mesa darío adanti marco recuero esto no es vietnam 2014 viva wall art redbubble full list of tubi movies finder movies on tv this week may 31 a clockwork

**an introduction to vectors vector operators and vector analysis** - Dec 07 2022

web an introduction to vectors vector operators and vector analysis conceived as a supplementary text and reference book for undergraduate and graduate students of science and engineering this book intends communicating the fundamental concepts of vectors and their applications it is divided into three units

[vector analysis problems and solutions stemez com](#) - Aug 15 2023

web contents vector analysis chapter 01 vectors and scalars chapter 02 magnitude linear dependence and base vectors chapter 03 the scalar product and the vector product chapter 04 ordinary derivatives of vectors chapter 05 applications of [problems and solutions mit mathematics](#) - Jul 14 2023

web 1 problems chapter 1 problem 5 1 show from rst principles that if  $V$  is a vector space over  $R$  or  $C$  then for any set  $X$  the space  $\mathcal{F}(X, V)$  is a linear space over the same field with pointwise operations problem 5 2 if  $V$  is a vector space and  $S \subseteq V$  is a subset which is closed under addition and scalar multiplication 5 2  $v \in S$

[problems and worked solutions in vector analysis](#) - Apr 11 2023

web jun 1 2014 opening chapters define vector addition and subtraction show how to resolve and determine the direction of two or more vectors and explain systems of coordinates vector equations of a

**problems and worked solutions in vector analysis scribd** - Feb 09 2023

web jun 1 2014 the following chapters deal with scalar and vector multiplication axial and polar vectors areas differentiation of vector functions gradient curl divergence and analytical properties of the position vector applications of vector analysis to dynamics and physics are the focus of the final chapter including such topics as moving rigid

**problems and worked solutions in vector analysis** - Apr 30 2022

web  $a_1$  angular points axes of reference axial vector  $b_1$   $b_2$   $c_1$  centre of mass circle coefficients constant coordinates curve diagonals dicular differential direction cosines displacement  $do/dt$   $dr/dt$  ellipse equal expression  $f_1$  figure forces given point grad initial point length let  $oa$  let  $oa = m_1$  magnitude and direction  $n_1$   $ob$   $b$   $oc$   $c$

**integral theorems of vector analysis problems and solutions** - Sep 04 2022

web jan 1 2019 the integral theorems of vector analysis build a relation between differentiation and integration and reduce often the dimension of integration bullet the area and geometrical center

**3 1 vector analysis physics libretxts** - May 12 2023

web jul 20 2022 three numbers are needed to represent the magnitude and direction of a vector quantity in a three dimensional space these quantities are called vector quantities vector quantities also satisfy two distinct operations vector addition and multiplication of a vector by a scalar

**practice problems answers to some problems vector** - Mar 30 2022

web 1 1 given two vectors  $a$  and  $b$  do the equations  $v = a + b$  and  $v = a \times b$  determine the vector  $v$  uniquely if so find an explicit

formula of  $v$  in terms of  $a$  and  $b$  answer the answer is yes clearly if  $a$  and  $b$  are not orthogonal then there is no solution so assume  $a$  and  $b$  are orthogonal vectors

[chapter 1 vector analysis elsevier](#) - Jun 13 2023

web chapter 1 vector analysis 1.1 definitions elementary approach in science and engineering we frequently encounter quantities that have magnitude and direction only mass time and temperature these we label scalar quantities which remain the same no matter what coordinates we use

[solutions for schaum's outline of theory and problems of vector](#) - Jan 28 2022

web step by step video answers explanations by expert educators for all schaum's outline of theory and problems of vector analysis and an introduction to tensor analysis 1st by murray r spiegel only on numerade.com

[calculus ii vectors practice problems pauls online math notes](#) - Feb 26 2022

web nov 16 2022 basic concepts in this section we will introduce some common notation for vectors as well as some of the basic concepts about vectors such as the magnitude of a vector and unit vectors we also illustrate how to

**problem set 1 multivariable calculus mit opencourseware** - Jul 02 2022

web this session includes problems and solutions browse course material syllabus 1 vectors and matrices part a vectors determinants and planes part b matrices and systems of equations part b vector fields and line integrals part c green's theorem exam 3 4 triple integrals and surface integrals in 3 space

[jeffrey r chasnov hkust](#) - Oct 05 2022

web week i vectors 3 problems for lecture 1.1 show graphically that vector addition is associative that is 2 using vectors prove that the line segment joining the midpoints of two sides of a triangle is parallel to the third side and half its length solutions to the problems

[vectors algebra all content math khan academy](#) - Dec 27 2021

web recognizing vectors practice equivalent vectors finding the components of a vector comparing the components of vectors practice vectors intro 4 questions components of vectors from endpoints 4 questions

[vector analysis schaum's outline 2nd edition solutions and](#) - Jun 01 2022

web our resource for vector analysis schaum's outline includes answers to chapter exercises as well as detailed information to walk you through the process step by step with expert solutions for thousands of practice problems you can take the guesswork out of studying and move forward with confidence

[problems and worked solutions in vector analysis perlego](#) - Nov 06 2022

web opening chapters define vector addition and subtraction show how to resolve and determine the direction of two or more vectors and explain systems of coordinates vector equations of a plane and straight line relative velocity and

5 2 vector addition and subtraction analytical methods - Jan 08 2023

web components of vectors for the analytical method of vector addition and subtraction we use some simple geometry and trigonometry instead of using a ruler and protractor as we did for graphical methods however the graphical method will still come in handy to visualize the problem by drawing vectors using the head to tail method

**physics 1100 vector solutions kwantlen polytechnic university** - Mar 10 2023

web numerically the solution is dab d0 db da i10 i5 j2 i3 j3 i12 j5 6 find the unit vectors that point from a to the other points b to g in question 2 express each vector in component ij notation

*electromagnetic field theory a problem solving approach* - Aug 03 2022

web 2 review of vector analysis electromagnetic field theory is the study of forces between charged particles resulting in energy conversion or signal transmission and reception these forces vary in magnitude and direction with time and throughout space so that the theory is a heavy user of vector differential and integral calculus