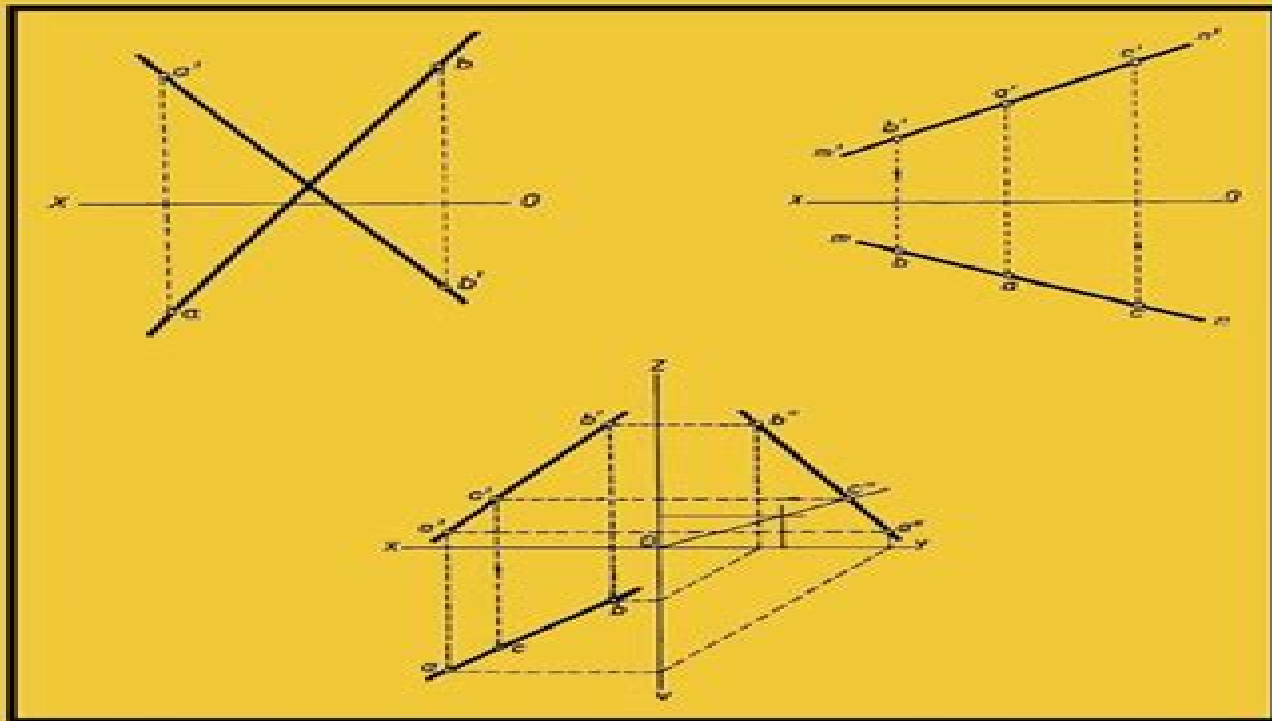


# Problems in Descriptive Geometry



**Khrystofor Artemyevich Arustamov**

# Problems In Descriptive Geometry

**RD Boyd**



## **Problems In Descriptive Geometry:**

Immerse yourself in the artistry of words with Crafted by is expressive creation, Immerse Yourself in **Problems In Descriptive Geometry** . This ebook, presented in a PDF format ( \*), is a masterpiece that goes beyond conventional storytelling. Indulge your senses in prose, poetry, and knowledge. Download now to let the beauty of literature and artistry envelop your mind in a unique and expressive way.

[https://py.bijouxmedusa.com/public/detail/HomePages/Fundamentals\\_Of\\_Engineering\\_Economics\\_Second\\_Edition.pdf](https://py.bijouxmedusa.com/public/detail/HomePages/Fundamentals_Of_Engineering_Economics_Second_Edition.pdf)

## **Table of Contents Problems In Descriptive Geometry**

1. Understanding the eBook Problems In Descriptive Geometry
  - The Rise of Digital Reading Problems In Descriptive Geometry
  - Advantages of eBooks Over Traditional Books
2. Identifying Problems In Descriptive Geometry
  - Exploring Different Genres
  - Considering Fiction vs. Non-Fiction
  - Determining Your Reading Goals
3. Choosing the Right eBook Platform
  - Popular eBook Platforms
  - Features to Look for in an Problems In Descriptive Geometry
  - User-Friendly Interface
4. Exploring eBook Recommendations from Problems In Descriptive Geometry
  - Personalized Recommendations
  - Problems In Descriptive Geometry User Reviews and Ratings
  - Problems In Descriptive Geometry and Bestseller Lists
5. Accessing Problems In Descriptive Geometry Free and Paid eBooks
  - Problems In Descriptive Geometry Public Domain eBooks
  - Problems In Descriptive Geometry eBook Subscription Services
  - Problems In Descriptive Geometry Budget-Friendly Options

6. Navigating Problems In Descriptive Geometry eBook Formats
  - ePub, PDF, MOBI, and More
  - Problems In Descriptive Geometry Compatibility with Devices
  - Problems In Descriptive Geometry Enhanced eBook Features
7. Enhancing Your Reading Experience
  - Adjustable Fonts and Text Sizes of Problems In Descriptive Geometry
  - Highlighting and Note-Taking Problems In Descriptive Geometry
  - Interactive Elements Problems In Descriptive Geometry
8. Staying Engaged with Problems In Descriptive Geometry
  - Joining Online Reading Communities
  - Participating in Virtual Book Clubs
  - Following Authors and Publishers Problems In Descriptive Geometry
9. Balancing eBooks and Physical Books Problems In Descriptive Geometry
  - Benefits of a Digital Library
  - Creating a Diverse Reading Collection Problems In Descriptive Geometry
10. Overcoming Reading Challenges
  - Dealing with Digital Eye Strain
  - Minimizing Distractions
  - Managing Screen Time
11. Cultivating a Reading Routine Problems In Descriptive Geometry
  - Setting Reading Goals Problems In Descriptive Geometry
  - Carving Out Dedicated Reading Time
12. Sourcing Reliable Information of Problems In Descriptive Geometry
  - Fact-Checking eBook Content of Problems In Descriptive Geometry
  - Distinguishing Credible Sources
13. Promoting Lifelong Learning
  - Utilizing eBooks for Skill Development
  - Exploring Educational eBooks
14. Embracing eBook Trends
  - Integration of Multimedia Elements

- 
- Interactive and Gamified eBooks

### **Problems In Descriptive Geometry Introduction**

Problems In Descriptive Geometry Offers over 60,000 free eBooks, including many classics that are in the public domain.

**Open Library:** Provides access to over 1 million free eBooks, including classic literature and contemporary works.

**Problems In Descriptive Geometry** Offers a vast collection of books, some of which are available for free as PDF downloads, particularly older books in the public domain.

**Problems In Descriptive Geometry :** This website hosts a vast collection of scientific articles, books, and textbooks. While it operates in a legal gray area due to copyright issues, its a popular resource for finding various publications.

**Internet Archive for Problems In Descriptive Geometry :** Has an extensive collection of digital content, including books, articles, videos, and more. It has a massive library of free downloadable books.

**Free-eBooks**

**Problems In Descriptive Geometry** Offers a diverse range of free eBooks across various genres.

**Problems In Descriptive Geometry** Focuses mainly on educational books, textbooks, and business books. It offers free PDF downloads for educational purposes.

**Problems In Descriptive Geometry** Provides a large selection of free eBooks in different genres, which are available for download in various formats, including PDF.

**Finding specific Problems In Descriptive Geometry,** especially related to **Problems In Descriptive Geometry,** might be challenging as theyre often artistic creations rather than practical blueprints.

However, you can explore the following steps to search for or create your own Online Searches:

- Look for websites, forums, or blogs** dedicated to **Problems In Descriptive Geometry,** Sometimes enthusiasts share their designs or concepts in PDF format.

**Books and Magazines** Some **Problems In Descriptive Geometry** books or magazines might include. Look for these in online stores or libraries. Remember that while **Problems In Descriptive Geometry,** sharing copyrighted material without permission is not legal. Always ensure youre either creating your own or obtaining them from legitimate sources that allow sharing and downloading.

**Library** Check if your local library offers eBook lending services. Many libraries have digital catalogs where you can borrow **Problems In Descriptive Geometry** eBooks for free, including popular titles.

**Online Retailers:** Websites like Amazon, Google Books, or Apple Books often sell eBooks. Sometimes, authors or publishers offer promotions or free periods for certain books.

**Authors Website** Occasionally, authors provide excerpts or short stories for free on their websites. While this might not be the **Problems In Descriptive Geometry** full book , it can give you a taste of the authors writing style.

**Subscription Services** Platforms like Kindle Unlimited or Scribd offer subscription-based access to a wide range of **Problems In Descriptive Geometry** eBooks, including some popular titles.

---

## FAQs About Problems In Descriptive Geometry Books

1. Where can I buy Problems In Descriptive Geometry books? Bookstores: Physical bookstores like Barnes & Noble, Waterstones, and independent local stores. Online Retailers: Amazon, Book Depository, and various online bookstores offer a wide range of books in physical and digital formats.
2. What are the different book formats available? Hardcover: Sturdy and durable, usually more expensive. Paperback: Cheaper, lighter, and more portable than hardcovers. E-books: Digital books available for e-readers like Kindle or software like Apple Books, Kindle, and Google Play Books.
3. How do I choose a Problems In Descriptive Geometry book to read? Genres: Consider the genre you enjoy (fiction, non-fiction, mystery, sci-fi, etc.). Recommendations: Ask friends, join book clubs, or explore online reviews and recommendations. Author: If you like a particular author, you might enjoy more of their work.
4. How do I take care of Problems In Descriptive Geometry books? Storage: Keep them away from direct sunlight and in a dry environment. Handling: Avoid folding pages, use bookmarks, and handle them with clean hands. Cleaning: Gently dust the covers and pages occasionally.
5. Can I borrow books without buying them? Public Libraries: Local libraries offer a wide range of books for borrowing. Book Swaps: Community book exchanges or online platforms where people exchange books.
6. How can I track my reading progress or manage my book collection? Book Tracking Apps: Goodreads, LibraryThing, and Book Catalogue are popular apps for tracking your reading progress and managing book collections. Spreadsheets: You can create your own spreadsheet to track books read, ratings, and other details.
7. What are Problems In Descriptive Geometry audiobooks, and where can I find them? Audiobooks: Audio recordings of books, perfect for listening while commuting or multitasking. Platforms: Audible, LibriVox, and Google Play Books offer a wide selection of audiobooks.
8. How do I support authors or the book industry? Buy Books: Purchase books from authors or independent bookstores. Reviews: Leave reviews on platforms like Goodreads or Amazon. Promotion: Share your favorite books on social media or recommend them to friends.
9. Are there book clubs or reading communities I can join? Local Clubs: Check for local book clubs in libraries or community centers. Online Communities: Platforms like Goodreads have virtual book clubs and discussion groups.
10. Can I read Problems In Descriptive Geometry books for free? Public Domain Books: Many classic books are available for free as they're in the public domain. Free E-books: Some websites offer free e-books legally, like Project Gutenberg or Open Library.

---

**Find Problems In Descriptive Geometry :**

*fundamentals of engineering economics second edition*

*franz bardon die praxis der magischen evokation pdf*

**foundations of the christian faith james montgomery boice**

**general chemistry lab manual answers fourth edition**

**fundamental methods mathematical economics 4th edition**

ft 991 mars mod wordpress

fundamentals of electrical drives by gk dubey pdf ebboks download

**funny riddles and brain teasers with answers poroto**

*four steps epiphany steve blank*

**freightliner truck refrigerant capacities**

**fpso handbook pdf**

foundations of rehabilitation counseling with persons who are blind or visually impaired foundation series

foundations for health promotion naidoo and wills

**foundations of finance the logic and practice of financial management**

**frank wood business accounting 1**

**Problems In Descriptive Geometry :**

**study no 8 from graded music for snare drum book iv sheet music** - Nov 30 2022

web ian wright study no 8 from graded music for snare drum book iv for percussions intermediate sheet music includes an high quality pdf file to download instantly licensed to virtual sheet music by hal leonard publishing company

*graded music for snare drum book iv grades 7 8 abrsm* - Aug 28 2022

web graded music for snare drum book iv grades 7 8 abrsm exam pieces bk 4 by unknown 1990 07 05 unknown isbn

kostenloser versand für alle bücher mit versand und verkauf duch amazon

**abrsm graded music for snare drum book 4 grade 7 8 ackerman music** - Jun 06 2023

web abrsm graded music for snare drum book 4 grade 7 8 contains all the set pieces exercises and specimen sight reading tests for the snare drum examinations grades 7 8 local rate 0333 344 0070

*graded music for snare drum book iv grades 7 8 ab abrsm* - Jun 25 2022

web graded music for snare drum book iv grades 7 8 ab yeah reviewing a ebook graded music for snare drum book iv grades

7 8 ab could amass your near links listings this is just one of the solutions for you to be successful as understood skill does not recommend that you have extraordinary points

[graded music for snare drum book iv grades 7 8 ab gary](#) - Apr 23 2022

web competently as sharpness of this graded music for snare drum book iv grades 7 8 ab can be taken as skillfully as picked to act music news in the state of georgia 1944

**graded music for snare drum book iv grades 7 8 alibris** - Oct 30 2022

web buy graded music for snare drum book iv grades 7 8 by kevin hathway composer ian wright composer online at alibris we have new and used copies available in 1 editions starting at 15 75 shop now

[graded music for snare drum book iv grades 7 8 abrsm](#) - Feb 02 2023

web graded music for snare drum book iv grades 7 8 abrsm exam pieces hathway kevin wright ian amazon de bücher

*graded music for snare drum grades 7 8 bk 4 alibris* - Jul 27 2022

web buy graded music for snare drum grades 7 8 bk 4 by kevin hathway composer ian wright editor online at alibris we have new and used copies available in 0 edition starting at shop now

**graded music for snare drum book 4 abrsm grades 7 8** - Jul 07 2023

web view detailed description and sample pages for graded music for snare drum book 4 abrsm grades 7 8 drum notation book isbn 9781854725141 free uk delivery low prices and same day dispatch graded music for snare drum book 4 abrsm grades 7 8 hamcor com 9781854725141

**graded music for snare drum bk 2 by ian wright goodreads** - May 25 2022

web jul 5 1990 graded music for snare drum ian wright 0 00 0 ratings 0 reviews want to read buy on amazon rate this book graded music for snare drum book ii each book contains all the set pieces exercises and specimen sight reading tests for the relevant examination hathway kevin wright ian

**graded music for snare drum book iv presto music** - Aug 08 2023

web explore sheet music for graded music for snare drum book iv buy online percussion perc published by abrsm publishing composer hathway kevin composer wright ian

*snare drum sheet music for beginners free drum lessons* - Feb 19 2022

web jul 13 2020 the main goal here was to get an understanding of learning drum music through some snare drum sheet music examples as a beginner practicing on just the snare drum is a great way to learning how to play the drums it helps you develop your hands that in turn help you play on a full drum kit keep at it practice practice practice

**graded music for snare drum book iv grades 7 8** - Apr 04 2023

web contains all the set pieces exercises and specimen sight reading tests for the snare drum examinations grades 7 8 free

shipping over 25 gift cards available

**graded music for snare drum shop abrsm org** - Oct 10 2023

web graded music for snare drum four books containing all the set pieces exercises and specimen sight reading tests for abrsm snare drum exams book i grades 1 2 book ii grades 3 4 book iii grades 5 6 book iv grades 7 8

**graded music for snare drum book iv grades 7 8 ab book** - Sep 09 2023

web graded music for snare drum book iv grades 7 8 ab book of english epithets literal and figurative with elementary remarks and minute references to authorities dec 19 2021 progressive studies for the snare drum feb 06 2021 etudes for snare drum in 4 4 time volume 4 may 12 2021

snare drum abrsm - Sep 28 2022

web we offer a range of assessments for snare drum players including practical grades and performance grades at grades 1 to 8 and diplomas in music performance for advanced musicians we also offer exams in combined percussion read on to find out more about our snare drum exams

graded music for snare drum book iv grades 7 8 ab amoa - Mar 23 2022

web 2 graded music for snare drum book iv grades 7 8 ab 2021 12 18 graded music for snare drum book iv grades 7 8 ab downloaded from amoa arthouse org by guest welch ashtyn are the drums for you hal leonard corporation tired of not knowing what to do with your percussionsists while wind players are doing their daily

*9781854725141 graded music for snare drum bk 4 by wright* - Jan 01 2023

web graded music for snare drum book iv grades 7 8 abrsm exam pieces by wright ian compose and a great selection of related books art and collectibles available now at abebooks com 9781854725141 graded music for snare drum bk 4 by wright ian compose abebooks

**graded music for snare drum book iv grades 7 8 abrsm** - May 05 2023

web jul 5 1990 buy graded music for snare drum book iv grades 7 8 abrsm exam pieces by hathway kevin wright ian isbn 9781854725141 from amazon s book store everyday low prices and free delivery on eligible orders

**graded music for snare drum book iv sheet music plus** - Mar 03 2023

web shop and buy graded music for snare drum book iv sheet music snaredr sheet music book by kevin hathway abrsm associated board of the royal schools of music at sheet music plus a3 9781854725141

**visuelles wörterbuch rumänisch deutsch thalia at** - Mar 10 2023

web ausgesprochen gut das visuelle wörterbuch rumänisch jetzt auch zum anhören mit 15 000 wörtern in der kostenlosen audio app alle begriffe können in beiden sprachen in alphabetischer reihenfolge oder nach kategorien sortiert abgespielt werden

**visuelles wörterbuch rumänisch deutsch mit audio app jedes** - Jan 28 2022

web visuelles wörterbuch italienisch deutsch mit audio app download visuelles wörterbuch audio app for pc deutsch rumänisch online übersetzer übersetzer aus dem

**visuelles wörterbuch rumänisch deutsch mit audio app** - Sep 04 2022

web visuelles wörterbuch rumänisch deutsch mit audio app jedes wort gesprochen amazon es libros

**visuelles wörterbuch rumänisch deutsch mit audio app jedes** - Jul 02 2022

web visuelles wörterbuch ungarisch deutsch mit audio app 0d9ce2b visuelles wörterbuch spanisch deutsch mit audioapp deutsch rumänisch online übersetzer übersetzer aus dem visuelles wörterbuch rumänisch deutsch c rture ti online télécharger visuelles wörterbuch französisch deutsch mit visuelles wörterbuch niederländisch deutsch mit

**visuelles wörterbuch audio app 4 app store** - Aug 03 2022

web umfassende wörterbuch app zu 23 sprachen mit jeweils über 15 000 stichwörtern und redewendungen volle vertonung aller wörter durch muttersprachliche sprecher ideal zum sprachenlernen und Üben der aussprache

**9783831029792 visuelles wörterbuch rumänisch deutsch mit audio** - Nov 06 2022

web abebooks com visuelles wörterbuch rumänisch deutsch mit audio app jedes wort gesprochen 9783831029792 and a great selection of similar new used and collectible books available now at great prices

*visuelles wörterbuch rumänisch deutsch mit audio app amazon de* - Aug 15 2023

web visuelles wörterbuch rumänisch deutsch mit audio app jedes wort gesprochen isbn 9783831029792 kostenloser versand für alle bücher mit versand und verkauf duch amazon

*visuelles wörterbuch rumänisch deutsch mit audio app jedes* - Jun 01 2022

web home book bücher visuelles wörterbuch rumänisch deutsch mit audio app jedes wort gesprochen lesen online

**visuelles wörterbuch türkisch deutsch Über 12 000 wörter und** - Mar 30 2022

web in den einkaufswagen 9 95 verkauft von woetzel buchversand alle 3 bilder anzeigen visuelles wörterbuch türkisch deutsch Über 12 000 wörter und redewendungen taschenbuch 1 februar 2008 türkisch ausgabe 4 5 92 sternbewertungen alle formate und editionen anzeigen

visuelles wörterbuch rumänisch deutsch buch versandkostenfrei bei - Dec 07 2022

web ausgesprochen gut das visuelle wörterbuch rumänisch jetzt auch zum anhören mit 15 000 wörtern in der kostenlosen audio app alle begriffe können in beiden sprachen in alphabetischer reihenfolge oder nach kategorien sortiert abgespielt werden die

visuelles wörterbuch rumänisch deutsch mit audio app - Jan 08 2023

web visuelles wörterbuch rumänisch deutsch mit audio app jedes wort gesprochen bei abebooks de isbn 10 3831029792 isbn

---

13 9783831029792 dorling kindersley verlag 2016 softcover

*visuelles wörterbuch rumänisch deutsch mit audio app* - Feb 09 2023

web visuelles wörterbuch rumänisch deutsch mit audio app jedes wort gesprochen von unbekannt taschenbuch bei medimops de bestellen gebraucht günstig kaufen bei medimops bücher medien verkaufen

**visuelles wörterbuch rumänisch deutsch mit audio app jedes** - Jul 14 2023

web visuelles wörterbuch rumänisch deutsch mit audio app jedes wort gesprochen 9 95 inkl mwst zzgl versandkosten erhältlich als neu in den warenkorb sofort versandfertig lieferzeit ca 1 3 werktage merken beschreibung ausgesprochen gut das visuelle wörterbuch rumänisch jetzt auch zum anhören

*visuelles wörterbuch rumänisch deutsch mit audio copy* - Apr 30 2022

web jul 2 2023 visuelles wörterbuch rumänisch deutsch mit audio 2 9 downloaded from uniport edu ng on july 2 2023 by guest european framework of reference these eight captivating stories will both entertain you and give you a feeling of progress when reading what does this book give you eight stories in a variety of exciting genres

**visuelles wörterbuch rumänisch deutsch** - Apr 11 2023

web ausgesprochen gut das visuelle wörterbuch rumänisch jetzt auch zum anhören mit 15 000 wörtern in der kostenlosen audio app alle begriffe können in beiden sprachen in alphabetischer reihenfolge oder nach kategorien sortiert abgespielt werden die

**visuelles wörterbuch rumänisch deutsch mit audio app** - Oct 05 2022

web noté 5 retrouvez visuelles wörterbuch rumänisch deutsch mit audio app jedes wort gesprochen et des millions de livres en stock sur amazon fr achetez neuf ou d occasion

**visuelles wörterbuch rumänisch deutsch Über 12 000 wörter** - Jun 13 2023

web visuelles wörterbuch rumänisch deutsch Über 12 000 wörter und redewendungen taschenbuch 26 september 2014 rumänisch ausgabe 4 4 73 sternebewertungen alle formate und editionen anzeigen taschenbuch 9 95 4 gebraucht ab 8 27 4 neu ab 9 95 mit der kombination von wort und bild lernen sie fast mühelos neue vokabeln und

**visuelles wörterbuch dänisch deutsch mit audio app amazon de** - Dec 27 2021

web visuelles wörterbuch dänisch deutsch mit audio app jedes wort gesprochen isbn 9783831029655 kostenloser versand für alle bücher mit versand und verkauf durch amazon

**visuelles wörterbuch rumänisch deutsch mit audio app amazon de** - May 12 2023

web visuelles wörterbuch rumänisch deutsch mit audio app jedes wort gesprochen amazon de books

*visuelles wörterbuch rumänisch deutsch mit audio pdf pdf* - Feb 26 2022

web visuelles wörterbuch rumänisch deutsch mit audio pdf upload betty q williamson 1 2 downloaded from voto uncal edu br

on september 1 2023 by betty q williamson yet situated within the musical pages of visuelles wörterbuch rumänisch deutsch mit audio pdf a captivating perform of literary brilliance that pulses with organic thoughts lies

[international business 8th edition by czinkota denise tsang](#) - Jul 02 2022

web international business world whether you are an upcoming international marketer or practicing executive international marketing michael czinkota 2006 08 18 international marketing 8th edition is a completely up to date text for one of the most dynamic upper level and graduate courses in marketing departments today it

[international business 8th edition czinkota test bank](#) - Apr 30 2022

web mar 2 2023 international business 8th edition czinkota test bank full download testbanktip com download international business 8th edition czinkota t

**test bank for international business 8th edition by czinkota** - Feb 26 2022

web instantly download test bank for international business 8th edition by czinkota from trusted source provides a thousand solutions manual and test bank questions digital deal menu

*czinkota ronkainen moffett international business 8th edition* - Jul 14 2023

web international business 8th edition welcome to the web site for international business 8th edition by michael czinkota ilkka a ronkainen and michael h moffett this web site gives you access to the rich tools and resources available for this text you can access these resources in two ways

**international business czinkota ronkainen moffett 8th edition** - Aug 03 2022

web international business 8th edition michael czinkota iikka a ronkainen michael h moffett aug 2 2010 business economics 746 pages international business 8th edition enables students to become better more successful participants in the global business place the internationally cited author team of international business by

*international business 8th edition by czinkota sibole online* - Jun 01 2022

web file name international business 8th edition by czinkota pdf size 6668 kb type pdf epub ebook category book uploaded 2023 jul 31 06 44 rating 4 6 5 from 848 votes

[international business 8th edition czinkota solutions manual issuu](#) - Dec 27 2021

web apr 5 2019 full download goo gl gbb3vi international business 8th edition czinkota solutions manual international business czinkota 8th edition solutions manual

**international business 8th edition czinkota test bank** - Jan 08 2023

web international business 8th edition czinkota test bank free download as pdf file pdf text file txt or read online for free test bank

**international business 8th edition amazon com** - Aug 15 2023

web aug 23 2010 international business 8th edition by michael czinkota author iikka a ronkainen author michael h moffett author 4 1 30 ratings see all formats and editions

**loading interface goodreads** - Mar 30 2022

web discover and share books you love on goodreads

**ninth edition international business cambridge university** - Feb 09 2023

web 978 1 108 47674 4 international business michael r czinkota ilkka a ronkainen suraksha gupta frontmatter when we originally decided to write our international business book eight editions ago we placed our wagers on several dimensions changes in the ninth edition international business

**international business 8th edition czinkota test bank issuu** - Dec 07 2022

web apr 9 2019 international business 8th edition czinkota test bank full download alibabadownload com product

international business 8th edition czinkota test bank file ch01 chapter 1 the

*international business michael r czinkota ilkka a ronkainen* - Apr 11 2023

web sep 16 2021 cambridge university press sep 16 2021 business economics 588 pages thoroughly updated the 9th edition of this bestselling textbook incorporates global trends and data supported by an exemplary case

international business czinkota ronkainen moffett 8th edition - May 12 2023

web international business czinkota ronkainen moffett 8th edition downloaded from db mwpai edu by guest muhammad camryn international business 8e wileyplus registration card routledge included in each new text is a world map for student reference international business springer this book illustrates the various facets of

**international business edition 8 by michael czinkota** - Nov 06 2022

web aug 23 2010 international business 7th edition presents an up to date and complete exploration of international business issues and practice the author s experience as both practitioners and academics brings a balanced and seasoned voice to the text

**international business 8th edition by czinkota** - Sep 04 2022

web international business sep 12 2022 written by a well seasoned team in the international business area this book provides a truly global perspective of international business with a strong theory base with a managerial emphasis and a focus on the impact of technology on global business international marketing jul 30 2021

international business 8th edition wiley - Mar 10 2023

web it addresses all the recent and on going worldwide issues regarding the economic and financial crisis as well as the government s role in business and the international business environment three new chapters focus on trade and investment policies politics and law new examples from around the world are also presented throughout the text

**international business 8th edition michael r czinkota iikka a** - Oct 05 2022

web mar 6 2018 international business 8th edition michael r czinkota iikka a ronkainen michael h moffett paperback 6 march 2018

*international business 8th edition by czinkota pdf copy* - Jan 28 2022

web the eighth edition examines the role and impact of culture and also includes numerous current world maps helping business professionals develop and refine a global perspective intercultural marketing

international business 8th edition michael czinkota iikka a - Jun 13 2023

web michael czinkota iikka a ronkainen michael h moffet mcgraw hill 1986 international business enterprises 770 pages the most up to date text in the market international