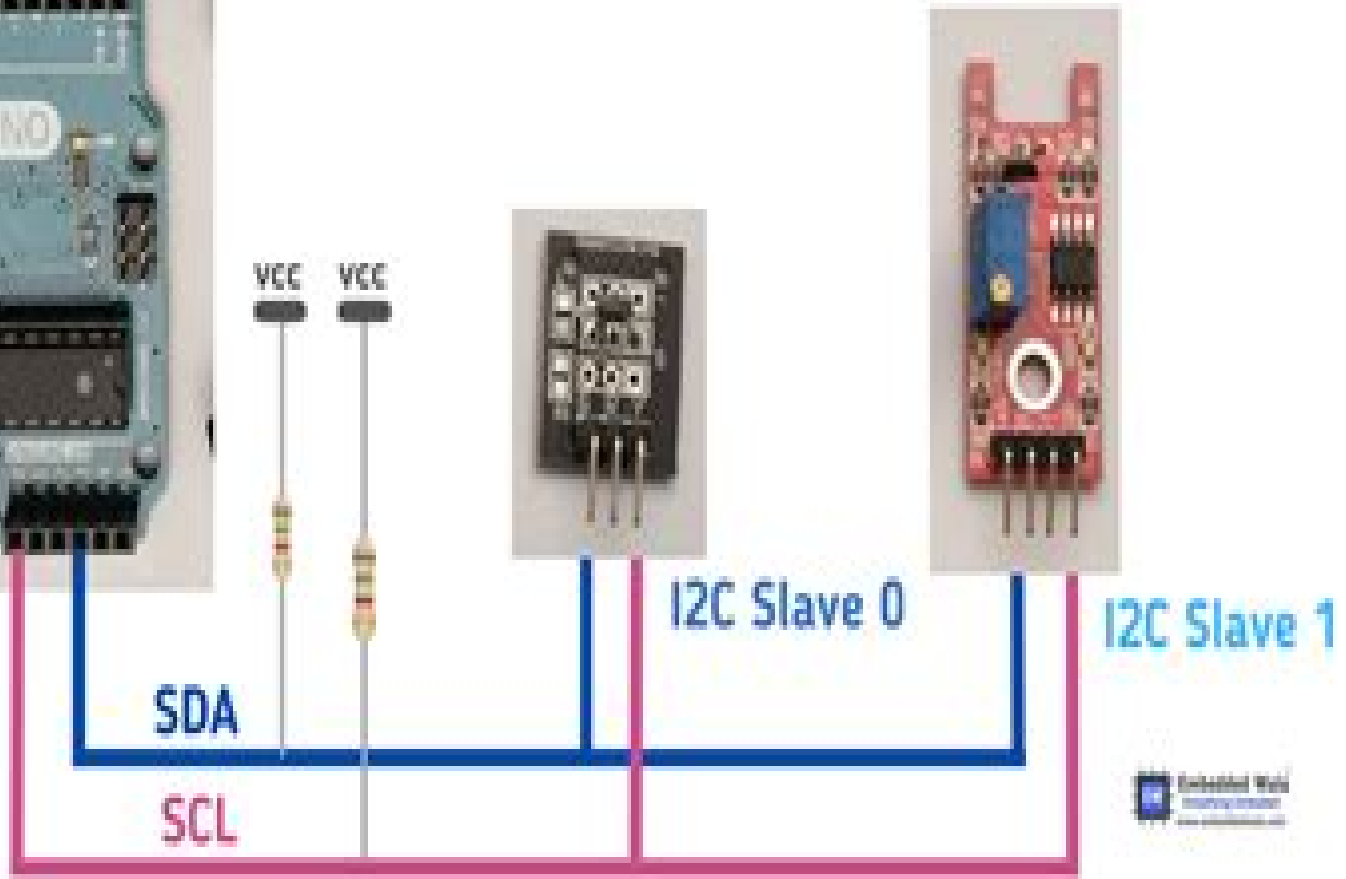


I2C



I2C Master



I2c C Master

AW Rasmussen



I2c C Master:

ESpectro32 Technical Workshop Agus Kurniawan, **Networking and Internetworking with Microcontrollers**

Fred Eady,2004-02-04 One stop information source for embedded engineers to learn the theory and real world application of creating embedded networking systems with detailed fully functional design examples schematics and source code

Practical Microcontroller Engineering with ARM Technology Ying Bai,2015-12-01 The first microcontroller textbook to provide complete and systemic introductions to all components and materials related to the ARM Cortex M4 microcontroller system including hardware and software as well as practical applications with real examples This book covers both the fundamentals as well as practical techniques in designing and building microcontrollers in industrial and commercial applications Examples included in this book have been compiled built and tested Includes Both ARM assembly and C codes Direct Register Access DRA model and the Software Driver SD model programming techniques and discussed If you are an instructor and adopted this book for your course please email ieeeproposals@wiley.com to get access to the instructor files for this book

Microcontroller Engineering with MSP432 Ying Bai,2016-11-03 This book aims to develop professional and practical microcontroller applications in the ARM MDK environment with Texas Instruments MSP432P401R LaunchPad kits It introduces ARM Cortex M4 MCU by highlighting the most important elements including registers pipelines memory and I O ports With the updated MSP432P401R Evaluation Board EVB MSP EXP432P401R this MCU provides various control functions with multiple peripherals to enable users to develop and build various modern control projects with rich control strategies Micro controller programming is approached with basic and straightforward programming codes to reduce learning curves and furthermore to enable students to build embedded applications in more efficient and interesting ways For authentic examples 37 Class programming projects are built into the book that use MSP432P401R MCU Additionally approximately 40 Lab programming projects with MSP432P401R MCU are included to be assigned as homework

SparkFun ESP32 Thing Development Workshop Agus Kurniawan, SparkFun ESP32 Thing is a development board based on ESP32 This book helps you to get started with ESP32 programming using SparkFun ESP32 Thing board and Espressif IoT Development Framework The following is highlight topic in this book Preparing Development Environment Setting Up SparkFun ESP32 Thing GPIO Programming UART Touch Pad PWM and Analog Input Working with I2C Working with SPI Connecting to a Network Bluetooth programming

Embedded Hardware: Know It All Jack Ganssle,Tammy Noergaard,Fred Eady,Lewin Edwards,David J. Katz,Rick Gentile,Ken Arnold,Kamal Hyder,Bob Perrin,2007-09-14 The Newnes Know It All Series takes the best of what our authors have written to create hard working desk references that will be an engineer s first port of call for key information design techniques and rules of thumb Guaranteed not to gather dust on a shelf Circuit design using microcontrollers is both a science and an art This book covers it all It details all of the essential theory and facts to help an engineer design a robust embedded system Processors memory and the hot topic of interconnects I O are completely

covered Our authors bring a wealth of experience and ideas this is a must own book for any embedded designer A 360 degree view from best selling authors including Jack Ganssle Tammy Noergard and Fred Eady Key facts techniques and applications fully detailed The ultimate hard working desk reference all the essential information techniques and tricks of the trade in one volume

ARM Microprocessor Systems Muhammad Tahir, Kashif Javed, 2017-02-17 This book presents the use of a microprocessor based digital system in our daily life Its bottom up approach ensures that all the basic building blocks are covered before the development of a real life system The ultimate goal of the book is to equip students with all the fundamental building blocks as well as their integration allowing them to implement the applications they have dreamed up with minimum effort

FPGA Prototyping by VHDL Examples Pong P. Chu, 2018-01-25 A hands on introduction to FPGA prototyping and SoC design This Second Edition of the popular book follows the same learning by doing approach to teach the fundamentals and practices of VHDL synthesis and FPGA prototyping It uses a coherent series of examples to demonstrate the process to develop sophisticated digital circuits and IP intellectual property cores integrate them into an SoC system on a chip framework realize the system on an FPGA prototyping board and verify the hardware and software operation The examples start with simple gate level circuits progress gradually through the RT register transfer level modules and lead to a functional embedded system with custom I O peripherals and hardware accelerators Although it is an introductory text the examples are developed in a rigorous manner and the derivations follow strict design guidelines and coding practices used for large complex digital systems The new edition is completely updated It presents the hardware design in the SoC context and introduces the hardware software co design concept Instead of treating examples as isolated entities the book integrates them into a single coherent SoC platform that allows readers to explore both hardware and software programmability and develop complex and interesting embedded system projects The revised edition Adds four general purpose IP cores which are multi channel PWM pulse width modulation controller I2C controller SPI controller and XADC Xilinx analog to digital converter controller Introduces a music synthesizer constructed with a DDFS direct digital frequency synthesis module and an ADSR attack decay sustain release envelop generator Expands the original video controller into a complete stream based video subsystem that incorporates a video synchronization circuit a test pattern generator an OSD on screen display controller a sprite generator and a frame buffer Introduces basic concepts of software hardware co design with Xilinx MicroBlaze MCS soft core processor Provides an overview of bus interconnect and interface circuit Introduces basic embedded system software development Suggests additional modules and peripherals for interesting and challenging projects The FPGA Prototyping by VHDL Examples Second Edition makes a natural companion text for introductory and advanced digital design courses and embedded system course It also serves as an ideal self teaching guide for practicing engineers who wish to learn more about this emerging area of interest

Programming and Customizing the PIC Microcontroller Michael Predko, 1998 Microchip s PIC microcontroller is rapidly becoming the microcontroller of

choice throughout the world This hands on tutorial and disk provide everything electronic designers engineers and advanced hobbyists need to tap the power of this invaluable chip the most complete description of PIC available over 30 experiments and ten complete PIC application projects a full set of DOS and Windows PIC development tools reusable source code and a complete PIC application program that can easily be tailored to the reader s needs Programmable Microcontrollers with Applications Cem Unsalan,H. Deniz Gurhan,2013-09-17 Publisher s Note Products purchased from Third Party sellers are not guaranteed by the publisher for quality authenticity or access to any online entitlements included with the product MASTER THE MSP430 MICROCONTROLLER AND DEVELOPMENT PLATFORM Expand your electronics design skills to include the MSP430 family of ultra low power microprocessors with help from this practical guide Programmable Microcontrollers with Applications MSP430 LaunchPad with CCS and Grace thoroughly explains each concept and provides illustrated examples and projects Find out how to configure the MSP430 efficiently program custom functions process analog and digital signals and interface with external components Sample code and reference information are available on the companion website COVERAGE INCLUDES Digital circuit and microcontroller fundamentals MSP430 architecture and CCS development environment LaunchPad platform and Grace configuration tool C and Assembly language programming and debugging Interrupts digital I O and D A and A D converters Data storage and coding practices for flash memory Oscillators clocks low power modes and timers Digital and analog communication ports and protocols Schematics and assembly instructions for 12 projects *Programmable Microcontrollers: Applications on the MSP432 LaunchPad* Cem Unsalan,H. Deniz Gurhan,M. Erkin Yucel,2017-12-08 Develop and Deploy Powerful MSP432 Microcontroller Applications Bolster your electronics skills and learn to work with the cutting edge MSP432 microcontroller using the practical information contained in this comprehensive guide Programmable Microcontrollers Applications on the MSP432 LaunchPad clearly explains each concept and features detailed illustrations real world examples and DIY projects Discover how to configure the MSP432 program custom functions interface with external hardware and communicate via WiFi Ideal for practicing engineers and hobbyists alike this hands on guide empowers you to program all microcontrollers by thoroughly understanding the MSP432 Coverage includes MSP432 architecture Code Composer Studio CCS CCS Cloud and Energia MSP432 programming with C and Assembly Digital I O Exceptions and interrupts Power management and timing operations Mixed signal systems Digital and wireless communication Flash memory RAM and direct memory access Real time operating system Advanced applications

IC Master ,1999 *New Music Review and Church Music Review* ,1905 *The New Music Review and Church Music Review* ,1921 *Conference Proceedings* ,1984 Electronic Design ,2001 *EDN* ,2007 **EDN, Electrical Design News** ,2004 Digital Signal Processing Using the Motorola DSP Family Robert J. Simpson,1994 This tutorial reference focuses on both the hardware and software features of the Motorola DSP family of processors that have been developed to satisfy a wide range of digital signal process applications It introduces features architectures characteristics and more of

DSProcessors *PowerPC MPC823 User's Manual ,1998*

Delve into the emotional tapestry woven by Crafted by in **I2c C Master** . This ebook, available for download in a PDF format (*), is more than just words on a page; it's a journey of connection and profound emotion. Immerse yourself in narratives that tug at your heartstrings. Download now to experience the pulse of each page and let your emotions run wild.

https://py.bijouxmedusa.com/data/uploaded-files/fetch.php/48_490_SEO_Strategy_Guide_United_States_48_1165_SEO_Strategy_Guide_For.pdf

Table of Contents I2c C Master

1. Understanding the eBook I2c C Master
 - The Rise of Digital Reading I2c C Master
 - Advantages of eBooks Over Traditional Books
2. Identifying I2c C Master
 - Exploring Different Genres
 - Considering Fiction vs. Non-Fiction
 - Determining Your Reading Goals
3. Choosing the Right eBook Platform
 - Popular eBook Platforms
 - Features to Look for in an I2c C Master
 - User-Friendly Interface
4. Exploring eBook Recommendations from I2c C Master
 - Personalized Recommendations
 - I2c C Master User Reviews and Ratings
 - I2c C Master and Bestseller Lists
5. Accessing I2c C Master Free and Paid eBooks
 - I2c C Master Public Domain eBooks
 - I2c C Master eBook Subscription Services
 - I2c C Master Budget-Friendly Options

-
6. Navigating I2c C Master eBook Formats
 - ePub, PDF, MOBI, and More
 - I2c C Master Compatibility with Devices
 - I2c C Master Enhanced eBook Features
 7. Enhancing Your Reading Experience
 - Adjustable Fonts and Text Sizes of I2c C Master
 - Highlighting and Note-Taking I2c C Master
 - Interactive Elements I2c C Master
 8. Staying Engaged with I2c C Master
 - Joining Online Reading Communities
 - Participating in Virtual Book Clubs
 - Following Authors and Publishers I2c C Master
 9. Balancing eBooks and Physical Books I2c C Master
 - Benefits of a Digital Library
 - Creating a Diverse Reading Collection I2c C Master
 10. Overcoming Reading Challenges
 - Dealing with Digital Eye Strain
 - Minimizing Distractions
 - Managing Screen Time
 11. Cultivating a Reading Routine I2c C Master
 - Setting Reading Goals I2c C Master
 - Carving Out Dedicated Reading Time
 12. Sourcing Reliable Information of I2c C Master
 - Fact-Checking eBook Content of I2c C Master
 - Distinguishing Credible Sources
 13. Promoting Lifelong Learning
 - Utilizing eBooks for Skill Development
 - Exploring Educational eBooks
 14. Embracing eBook Trends
 - Integration of Multimedia Elements

-
- Interactive and Gamified eBooks

I2c C Master Introduction

In the digital age, access to information has become easier than ever before. The ability to download I2c C Master has revolutionized the way we consume written content. Whether you are a student looking for course material, an avid reader searching for your next favorite book, or a professional seeking research papers, the option to download I2c C Master has opened up a world of possibilities. Downloading I2c C Master provides numerous advantages over physical copies of books and documents. Firstly, it is incredibly convenient. Gone are the days of carrying around heavy textbooks or bulky folders filled with papers. With the click of a button, you can gain immediate access to valuable resources on any device. This convenience allows for efficient studying, researching, and reading on the go. Moreover, the cost-effective nature of downloading I2c C Master has democratized knowledge. Traditional books and academic journals can be expensive, making it difficult for individuals with limited financial resources to access information. By offering free PDF downloads, publishers and authors are enabling a wider audience to benefit from their work. This inclusivity promotes equal opportunities for learning and personal growth. There are numerous websites and platforms where individuals can download I2c C Master. These websites range from academic databases offering research papers and journals to online libraries with an expansive collection of books from various genres. Many authors and publishers also upload their work to specific websites, granting readers access to their content without any charge. These platforms not only provide access to existing literature but also serve as an excellent platform for undiscovered authors to share their work with the world. However, it is essential to be cautious while downloading I2c C Master. Some websites may offer pirated or illegally obtained copies of copyrighted material. Engaging in such activities not only violates copyright laws but also undermines the efforts of authors, publishers, and researchers. To ensure ethical downloading, it is advisable to utilize reputable websites that prioritize the legal distribution of content. When downloading I2c C Master, users should also consider the potential security risks associated with online platforms. Malicious actors may exploit vulnerabilities in unprotected websites to distribute malware or steal personal information. To protect themselves, individuals should ensure their devices have reliable antivirus software installed and validate the legitimacy of the websites they are downloading from. In conclusion, the ability to download I2c C Master has transformed the way we access information. With the convenience, cost-effectiveness, and accessibility it offers, free PDF downloads have become a popular choice for students, researchers, and book lovers worldwide. However, it is crucial to engage in ethical downloading practices and prioritize personal security when utilizing online platforms. By doing so, individuals can make the most of the vast array of free PDF resources available and embark on a journey of continuous learning and intellectual growth.

FAQs About I2c C Master Books

1. Where can I buy I2c C Master books? Bookstores: Physical bookstores like Barnes & Noble, Waterstones, and independent local stores. Online Retailers: Amazon, Book Depository, and various online bookstores offer a wide range of books in physical and digital formats.
2. What are the different book formats available? Hardcover: Sturdy and durable, usually more expensive. Paperback: Cheaper, lighter, and more portable than hardcovers. E-books: Digital books available for e-readers like Kindle or software like Apple Books, Kindle, and Google Play Books.
3. How do I choose a I2c C Master book to read? Genres: Consider the genre you enjoy (fiction, non-fiction, mystery, sci-fi, etc.). Recommendations: Ask friends, join book clubs, or explore online reviews and recommendations. Author: If you like a particular author, you might enjoy more of their work.
4. How do I take care of I2c C Master books? Storage: Keep them away from direct sunlight and in a dry environment. Handling: Avoid folding pages, use bookmarks, and handle them with clean hands. Cleaning: Gently dust the covers and pages occasionally.
5. Can I borrow books without buying them? Public Libraries: Local libraries offer a wide range of books for borrowing. Book Swaps: Community book exchanges or online platforms where people exchange books.
6. How can I track my reading progress or manage my book collection? Book Tracking Apps: Goodreads, LibraryThing, and Book Catalogue are popular apps for tracking your reading progress and managing book collections. Spreadsheets: You can create your own spreadsheet to track books read, ratings, and other details.
7. What are I2c C Master audiobooks, and where can I find them? Audiobooks: Audio recordings of books, perfect for listening while commuting or multitasking. Platforms: Audible, LibriVox, and Google Play Books offer a wide selection of audiobooks.
8. How do I support authors or the book industry? Buy Books: Purchase books from authors or independent bookstores. Reviews: Leave reviews on platforms like Goodreads or Amazon. Promotion: Share your favorite books on social media or recommend them to friends.
9. Are there book clubs or reading communities I can join? Local Clubs: Check for local book clubs in libraries or community centers. Online Communities: Platforms like Goodreads have virtual book clubs and discussion groups.
10. Can I read I2c C Master books for free? Public Domain Books: Many classic books are available for free as they're in the public domain. Free E-books: Some websites offer free e-books legally, like Project Gutenberg or Open Library.

Find I2c C Master :

[48-490 SEO strategy guide United States](#)
[48-1165 SEO strategy guide for America](#)
[48-2057 dropshipping business examples for creators](#)
[48-2328 48-2841 personal finance explained America](#)
[48-2753 personal finance for USA](#)
[48-957 YouTube growth tutorial for small business](#)
[48-1832 YouTube 48-2662 YouTube growth guide America](#)
[48-554 YouTube growth guide United explained America](#)
[48-1786 healthy recipes explained USA](#)
[48-2478 healthy digital marketing explained United States](#)
[48-242 digital marketing loss step by step America](#)
[48-428 weight loss step by step United States for small business](#)
[48-2880 crypto trading tutorial United States](#)
[48-570 study for creators](#)
[48-764 home organization case study for entrepreneurs small business](#)
[48-2143 freelancing online strategies United States](#)
[48-633 fitness routines for beginners for small business](#)
[48-1295 fitness score improvement examples USA](#)
[48-2431 credit score improvement examples creators](#)
[48-1213 home organization tips for entrepreneurs](#)
[48-52 home startups](#)
[48-78 blockchain development review United States](#)
[48-672](#)

I2c C Master :

[irish times simplex crossword answers updated crossword](#) - Jul 30 2022
 web oct 9 2023 [irish times simplex crossword answers 6 october 2023](#) [irish times simplex crossword answers 5 october 2023](#) 1 inflexibly unshakeably 2 principal diocesan church 3 asserts 4 they impart knowledge 5 the loneliness of the long runner alan sillitoe 6 moisten 7 mixture of cement sand gravel and water
[rugby world cup ireland s mack hansen trains ahead the irish times](#) - Jan 24 2022
 web 2 hours ago [gerry thornley fri oct 13 2023](#) 10 35 mack hansen was back training with the irish squad at their captain s run in the stade de france on the eve of saturday night s quarter final against
[irish times simplex answers 06 apr 2023 crosswords io](#) - Oct 01 2022
 web 06 apr 2023 [irish times simplex crossword answers we found 36 answers and crossword clues from irish times simplex from 06 apr 2023](#) you can choose another year date from the search box to get the crossword answers from other dates
[simplex crosswords from the irish times book 3 paperback](#) - Nov 02 2022

web the simplex crossword formula has been hugely successful and made bestsellers of all six books appearing daily in the irish times for over forty years the crossword has attracted a devoted following simplex 3 contains 60 simplex crosswords space for recording time taken

irish times simplex crossword answers april 6 2022 - Apr 26 2022

web apr 6 2022 irish times simplex crossword answers april 6 2022 find clues and answers to irish times simplex crossword puzzles or search other irish times simplex crossword answers topics ideas motifs 6 6 letters to be all these is to be clumsy 6 6 letters moved around an axis 6 6 letters most foolhardy 7 7 letters

the irish times simplex may 6 2021 crossword answers - Apr 07 2023

web may 6 2021 the irish times simplex may 6 2021 crossword answers publications the irish times simplex may 6 2021 simplex crossword the irish times - May 08 2023

web sep 13 2016 the simplex crossword is definitely less simple yours etc laura o mara stillorgan co dublin

irish times simplex answers 16 dec 2022 crosswords io - Mar 26 2022

web 16 dec 2022 irish times simplex crossword answers we found 32 answers and crossword clues from irish times simplex from 16 dec 2022 you can choose another year date from the search box to get the crossword answers from other dates

simplex crosswords book 6 from the irish times paperback - Aug 11 2023

web buy simplex crosswords book 6 from the irish times by o brien mary isbn 9780862786694 from amazon s book store everyday low prices and free delivery on eligible orders

simplex crosswords from the irish times book 1 paperback - Dec 03 2022

web the simplex crossword formula has been hugely successful and made bestsellers of all six books appearing daily in the irish times for over forty years the crossword has attracted a devoted following simplex 1 contains 60 simplex crosswords space for recording time taken scribble space 60 solutions

simplex crossword the irish times - Sep 12 2023

web latest simplex crossword games archive view all crosaire see all of our crosaire from throughout the years view all simplex see all of our simplex from throughout the

irish times simplex crossword answers updated crossword - Jun 28 2022

web oct 9 2023 irish times simplex crossword answers updated crossword buzz home crossword answers by publication category irish times simplex crossword answers page 1 of 1 crossword buzz answers irish times simplex crossword answers 10 october 2023 irish times simplex crossword answers 9 october 2023

irish times simplex answers 30 dec 2022 crosswords io - Feb 22 2022

web 30 dec 2022 irish times simplex crossword answers we found 36 answers and crossword clues from irish times simplex

from 30 dec 2022 you can choose another year date from the search box to get the crossword answers from other dates
the irish times - Jan 04 2023

web jun 25 2016 simplex sudoku family notices opens in new window crosswords puzzles to keep you challenged and entertained the irish times epaper france 2003 rugby world cup match analysis

amazon co uk simplex crossword irish times - Mar 06 2023

web jul 13 2009 simplex crosswords book 6 from the irish times by mary o brien 1 mar 2000 13 paperback 599 free delivery wed 9 aug on your first eligible order to uk or ireland or fastest delivery tomorrow 5 aug only 8 left in stock more on the way more buying choices 4 66 8 used new offers the big book of simplex crosswords from

the irish times simplex crossword answers wordplays com - Aug 31 2022

web jul 26 2023 here are the simplex puzzles in the the irish times x sign in to save favorite no puzzles found newer puzzles the irish times is an irish daily broadsheet newspaper and online digital publication it launched on 29 march 1859 it is published every day except sundays

the big book of simplex crosswords from the irish times - Jun 09 2023

web jul 13 2009 the simplex crossword formula has been hugely successful and made bestsellers of books 1 to 6 appearing daily in the irish times for over forty years the crossword has attracted a devoted following the big book of simplex crosswords combines the first two bestselling titles in the simplex series in a new edition

how do i access and print my crossword the irish times - Feb 05 2023

web how do i access and print my crossword to access and print your crossword please follow the steps below sign into your crossword subscription here on the left side of the screen you will

irish times simplex crossword puzzles - May 28 2022

web irish times simplex crossword puzzles may 2023 s

irish times simplex answers 06 jan 2023 crosswords io - Jul 10 2023

web 06 jan 2023 irish times simplex crossword answers we found 36 answers and crossword clues from irish times simplex from 06 jan 2023 you can choose another year date from the search box to get the crossword answers from other dates

irish times simplex answers 30 dec 2022 crosswords io - Feb 22 2022

web 30 dec 2022 irish times simplex crossword answers we found 36 answers and crossword clues from irish times simplex from 30 dec 2022 you can choose another year date from the search box to get the crossword answers from other dates

the irish times simplex may 6 2021 crossword answers - Apr 07 2023

web may 6 2021 the irish times simplex may 6 2021 crossword answers publications the irish times simplex may 6 2021

irish times simplex answers 06 jan 2023 crosswords io - Jul 10 2023

web 06 jan 2023 irish times simplex crossword answers we found 36 answers and crossword clues from irish times simplex from 06 jan 2023 you can choose another year date from the search box to get the crossword answers from other dates

rugby world cup ireland s mack hansen trains ahead the irish times - Jan 24 2022

web 2 hours ago gerry thornley fri oct 13 2023 10 35 mack hansen was back training with the irish squad at their captain s run in the stade de france on the eve of saturday night s quarter final against

irish times simplex answers 16 dec 2022 crosswords io - Mar 26 2022

web 16 dec 2022 irish times simplex crossword answers we found 32 answers and crossword clues from irish times simplex from 16 dec 2022 you can choose another year date from the search box to get the crossword answers from other dates

irish times simplex crossword answers updated crossword - Jun 28 2022

web oct 9 2023 irish times simplex crossword answers updated crossword buzz home crossword answers by publication category irish times simplex crossword answers page 1 of 1 crossword buzz answers irish times simplex crossword answers

10 october 2023 irish times simplex crossword answers 9 october 2023

simplex crossword the irish times - May 08 2023

web sep 13 2016 the simplex crossword is definitely less simple yours etc laura o mara stillorgan co dublin

simplex crosswords book 6 from the irish times paperback - Aug 11 2023

web buy simplex crosswords book 6 from the irish times by o brien mary isbn 9780862786694 from amazon s book store everyday low prices and free delivery on eligible orders

irish times simplex answers 06 apr 2023 crosswords io - Oct 01 2022

web 06 apr 2023 irish times simplex crossword answers we found 36 answers and crossword clues from irish times simplex from 06 apr 2023 you can choose another year date from the search box to get the crossword answers from other dates

irish times simplex crossword answers april 6 2022 - Apr 26 2022

web apr 6 2022 irish times simplex crossword answers april 6 2022 find clues and answers to irish times simplex crossword puzzles or search other irish times simplex crossword answers topics ideas motifs 6 6 letters to be all these is to be clumsy 6

6 letters moved around an axis 6 6 letters most foolhardy 7 7 letters

amazon co uk simplex crossword irish times - Mar 06 2023

web jul 13 2009 simplex crosswords book 6 from the irish times by mary o brien 1 mar 2000 13 paperback 599 free delivery wed 9 aug on your first eligible order to uk or ireland or fastest delivery tomorrow 5 aug only 8 left in stock more on the way

more buying choices 4 66 8 used new offers the big book of simplex crosswords from

simplex crosswords from the irish times book 1 paperback - Dec 03 2022

web the simplex crossword formula has been hugely successful and made bestsellers of all six books appearing daily in the

irish times for over forty years the crossword has attracted a devoted following simplex 1 contains 60 simplex crosswords
space for recording time taken scribble space 60 solutions

[how do i access and print my crossword the irish times](#) - Feb 05 2023

web how do i access and print my crossword to access and print your crossword please follow the steps below sign into your
crossword subscription here on the left side of the screen you will

the irish times - Jan 04 2023

web jun 25 2016 simplex sudoku family notices opens in new window crosswords puzzles to keep you challenged and
entertained the irish times epaper france 2003 rugby world cup match analysis

[the irish times simplex crossword answers wordplays com](#) - Aug 31 2022

web jul 26 2023 here are the simplex puzzles in the the irish times x sign in to save favorite no puzzles found newer puzzles
the irish times is an irish daily broadsheet newspaper and online digital publication it launched on 29 march 1859 it is
published every day except sundays

[simplex crossword the irish times](#) - Sep 12 2023

web latest simplex crossword games archive view all crosaire see all of our crosaire from throughout the years view all
simplex see all of our simplex from throughout the

[irish times simplex crossword puzzles](#) - May 28 2022

web irish times simplex crossword puzzles may 2023 s

[simplex crosswords from the irish times book 3 paperback](#) - Nov 02 2022

web the simplex crossword formula has been hugely successful and made bestsellers of all six books appearing daily in the
irish times for over forty years the crossword has attracted a devoted following simplex 3 contains 60 simplex crosswords
space for recording time taken

the big book of simplex crosswords from the irish times - Jun 09 2023

web jul 13 2009 the simplex crossword formula has been hugely successful and made bestsellers of books 1 to 6 appearing
daily in the irish times for over forty years the crossword has attracted a devoted following the big book of simplex
crosswords combines the first two bestselling titles in the simplex series in a new edition

irish times simplex crossword answers updated crossword - Jul 30 2022

web oct 9 2023 irish times simplex crossword answers 6 october 2023 irish times simplex crossword answers 5 october
2023 1 inflexibly unshakeably 2 principal diocesan church 3 asserts 4 they impart knowledge 5 the loneliness of the long
runner alan sillitoe 6 moisten 7 mixture of cement sand gravel and water

respireu mindfulness per a pares amb fills adoles - Feb 10 2023

web respireu mindfulness per a pares amb fills adoles this is likewise one of the factors by obtaining the soft documents of this respireu mindfulness per a pares amb fills adoles by online you might not require more get older to spend to go to the book establishment as well as search for them in some cases you likewise realize not discover the

[respireu mindfulness per a pares amb fills adoles full pdf qa](#) - Jan 09 2023

web amb fills adoles as recognized adventure as well as experience roughly lesson amusement as capably as promise can be gotten by just checking out a ebook respireu

respireu mindfulness per a pares amb fills adoles pdf - Dec 08 2022

web respireu mindfulness per a pares amb fills adoles reviewing respireu mindfulness per a pares amb fills adoles unlocking the spellbinding force of linguistics in a fast paced world fueled by information and interconnectivity the spellbinding force of linguistics has acquired newfound prominence

[respireu mindfulness per a pares amb fills adolescents](#) - May 13 2023

web java respireu mindfulness per a pares amb fills adolescents respireu eline snel libro y ebook feac eso blogger sempre felixos que la por no s abrasi a la pena biblioterapiablog biblioteràpia reseña del editor els adolescents són divertits fràgils imprevisibles i de vegades difícils

respireu mindfulness per a pares amb fills adolescents - Apr 12 2023

web april 22nd 2020 respireu mindfulness per a pares amb fills adolescents eline snel ed kairós llibre amb tècniques de mindfulness dirigit a pares d adolescents és un llibre fàcil pràctic amb molts exercicis útils i senzills de dur a terme també hi va adjunt un cd amb meditacions i pautes pels pares

respiro dopo respiro imparo a conoscermi un percorso di mindfulness - Mar 31 2022

web il riconoscimento e la gestione emozionale sono delle competenze fondamentali per la vita e per lo sviluppo delle interazioni sociali del bambino la presente tesi è di tipo applicativo e la domanda di ricerca un percorso di mindfulness aiuta i bambini della scuola dell infanzia a gestire ed esprimere verbalmente e graficamente meglio le proprie emozioni è volta a

[zihin beden yaklaşımları mindcare academy türkiye](#) - Feb 27 2022

web mindfulness bilinçli farkındalık Şefkat eğitimleri travma beden çalışmaları konularında her şeyi bulabileceğiniz bir platformdur mindfulness mbsr eğitimlik eğitimi ve sessiz mindfulness meditasyon İnzivası hakkında detaylı bilgi için ziyaret edin

[respireu mindfulness per a pares amb fills adoles pdf](#) - Aug 04 2022

web respireu mindfulness per a pares amb fills adoles downloaded from jmsseniorliving com by guest carey mckee the art of sleeping shambhala publications how to love is the third title in parallax s mindfulness essentials series of how to titles by zen master thich nhat hanh introducing beginners and reminding seasoned

pdf respireu mindfulness per a pares amb fills adoles - Jun 14 2023

web respireu mindfulness per a pares amb fills adoles el cervell de l adolescent oct 13 2022 david bueno el científic català que domina les xarxes i els mitjans i també la paraula i la ciència posa una mica de llum perquè entenguem com funciona el cervell dels tan temuts adolescents

Çocuklar için mindfulness ve yoga eğitimi birebir ve online - Dec 28 2021

web Çocuklar için farkındalık ve dikkat eğitimi mbsr mindfulness based stress reduction mindfulness temelli stres azaltma yöntemine dayanır Çocuklar eğitim süresince stabilize olmayı odaklanmayı ve dikkat etmeyi öğrenirler düşündükleri hissettikleri ve deneyimledikleri şeylerle ilgili yargılardan arınıp iç

respireu mindfulness per a pares amb fills adolescents - Aug 16 2023

web respireu mindfulness per a pares amb fills adolescents psicología snel eline amazon com tr kitap

respireu mindfulness per a pares amb fills adolescents book - Nov 07 2022

web apr 30 2015 book depository is the world s most international online bookstore offering over 20 million books with free delivery worldwide

respireu mindfulness per a pares amb fills adolescents - Jul 15 2023

web tapa blanda 17 10 5 nuevo desde 17 10 els adolescents són divertits fràgils imprevisibles i de vegades difícils anhelan independència però sovint encara no poden afrontar la i això requereix molta energia tant dels mateixos adolescents com dels adults amb els quals tracten

respireu mindfulness per a pares amb fills adoles copy - Jul 03 2022

web apr 17 2023 this little book written by eline snel a popular therapist and mindfulness teacher is a very appealing introduction to mindfulness meditation for parents of teenagers

respireu mindfulness per a pares amb fills adoles copy - May 01 2022

web may 19 2023 respireu mindfulness per a pares amb fills adoles 1 14 downloaded from uniport edu ng on may 19 2023 by guest respireu mindfulness per a pares amb fills adoles when people should go to the books stores search opening by shop shelf by shelf it is truly problematic this is why we present the books compilations in this website

respireu mindfulness per a pares amb fills adolescents goodreads - Sep 05 2022

web mar 3 2015 respireu mindfulness per a pares amb fills adolescents eline snel maria rosich andreu translator 0 00 0

respireu mindfulness per a pares amb fills adolescents abebooks - Oct 06 2022

web abebooks com respireu mindfulness per a pares amb fills adolescents 9788499884493 by snel eline and a great selection of similar new used and collectible books available now at great prices respireu mindfulness per a pares amb fills adolescents snel eline 9788499884493 abebooks

Çocuklarla mindfulness Çalışmaları yapmak Çocuklu dünya - Jan 29 2022

web dikkatinizi nefesinize verin nefesinizin sesini dinleyin nefesinizle birlikte yükselen ve inen karnınıza odaklanın nefes alırken çocuğunuzun en sevdiği kurabiye kokusunu alıyormuş gibi birlikte nefes alın nefes verirken ise bir mumu üflüyormuş gibi verin bu egzersizi 9 10 kere yapmakla başlayabilirsiniz

respireu mindfulness per a pares amb fills - Jun 02 2022

web respireu de ben segur es convertirà en el llibre de referència per a la pràctica del mindfulness per a pares amb fills adolescents s hi inclou un cd amb 13 meditacions per als pares per als adolescents hi ha exercicis descarregables al nostre web

respireu mindfulness per a pares amb fills adoles - Mar 11 2023

web respireu mindfulness per a pares amb fills adoles mindful america sep 04 2021 jeff wilson explores the diverse ways in which the buddhist derived practice of mindfulness meditation has been applied in american culture mindfulness per a principiants apr 23 2023 the healing power of mindfulness feb 21 2023

sonja blue series by nancy a collins goodreads - Oct 30 2022

web the sonja blue novels books 1 4 sunglasses after dark in the blood paint it black and a dozen black roses by nancy a collins 4 17 59 ratings 5 reviews 3 editions

midnight blue the sonja blue collection amazon co uk - Mar 03 2023

web 3 new from 20 95 1 collectible from 63 69 white wolf proudly announces the of sonja blue the powerful and intriguing vampiress chronicled in sunglasses after dark and in the blood this third novel in the popular series becomes available for the first time in this trade paperback omnibus collection containing all of the award winning

midnight blue sonja blue collection paperback amazon com - Sep 09 2023

web dec 1 1995 hardcover from 40 36 2 used from 40 36 1 new from 53 34 paperback 14 85 32 used from 3 00 2 new from 5 00 3 collectible from 12 50 white wolf proudly announces the return of sonja blue the powerful and intriguing vampiress chronicled in sunglasses after dark and in the blood

midnight blue the sonja blue collection kağıt kapak - Oct 10 2023

web midnight blue the sonja blue collection collins nancy a amazon com tr kitap Çerez tercihlerinizi seçin Çerez bildirimimizde ayrıntılı şekilde açıklandığı üzere alışveriş yapmanızı sağlamak alışveriş deneyiminizi iyileştirmek ve hizmetlerimizi sunmak için gerekli olan çerezleri ve benzer araçları kullanırız

midnight blue the sonja blue collection collins nancy a free - Jul 07 2023

web midnight blue the sonja blue collection by collins nancy a publication date 1995 topics horror tales short stories publisher stone mountain ga white wolf collection inlibrary printdisabled internetarchivebooks americana contributor

internet archive language english

midnight blue the sonja blue collection noble knight games - Apr 23 2022

web buy midnight blue the sonja blue collection novel from white wolf part of our novels comics novels collection

[midnight blue sonja blue collection softcover abebooks](#) - Jul 27 2022

web abebooks com midnight blue sonja blue collection 9780565049003 by collins nancy a and a great selection of similar new used and collectible books available now at great prices midnight blue sonja blue collection collins nancy a 9780565049003

midnight blue the sonja blue collection google books - Feb 02 2023

web white wolf proudly announces the return of sonja blue the powerful and intriguing vampiress chronicled in sunglasses after dark and in the blood this third novel in the popular series becomes available for the first time in this trade paperback omnibus collection containing all of the award winning sonja blue novels in their entirety

midnight blue sonja blue collection softcover abebooks - Nov 30 2022

web midnight blue sonja blue collection softcover collins nancy 4 22 avg rating 1 406 ratings by goodreads softcover isbn 10 1565049004 isbn 13 9781565049000 publisher white wolf publishing 1995 view all copies of this isbn edition synopsis about this edition

midnight blue the sonja blue collection by nancy a collins - Feb 19 2022

web books movies music books magazines books midnight blue the sonja blue collection by nancy a collins 1995 trade paperback 5 0 5 product ratings thrift books 3373530 99 2 positive feedback price 5 74 free shipping est delivery thu sep 28 tue oct 3 returns 30 days returns seller pays for return shipping condition like new

midnight blue the sonja blue collection abebooks - Jun 25 2022

web aug 30 2000 isbn 9781565049000 signed by author s 1st edition soft cover white wolf publishing stone mountain ga 1995 condition fine the sonja blue collected edition containing sunglasses after dark in the blood and paint it black inscribed on title page by collins like new a clean unread copy no reading creases tight binding

midnight blue the sonja blue collection amazon de - Mar 23 2022

web midnight blue the sonja blue collection collins nancy a isbn 9781565049000 kostenloser versand für alle bücher mit versand und verkauf duch amazon

[midnight blue the sonja blue collection amazon com](#) - Apr 04 2023

web jan 1 1995 nancy a collins nancy a collins 1959 is the award winning author of numerous urban fantasy multi genre and southern gothic tales as well as several graphic novels she was the first woman to write swamp thing for dc comics and the first author published under the vertigo imprint she is also the first woman to write for vampirella

midnight blue the sonja blue collection by collins nancy a - Aug 28 2022

web buy midnight blue the sonja blue collection by collins nancy a online on amazon ae at best prices fast and free shipping free returns cash on delivery available on eligible purchase

midnight blue the sonja blue collection paperback amazon ca - May 05 2023

web apr 1 1995 midnight blue the sonja blue collection paperback april 1 1995 by nancy a collins author 62 ratings hardcover from 79 06 1 used from 79 06 1 new from 96 34 1 collectible from 79 25 paperback 23 15 8 used from 8 99 4 new from 23 15

midnight blue sonja blue collection paperback amazon com - Jun 06 2023

web 89 99 free returns free delivery thursday september 14 order within 15 hrs 12 mins select delivery location only 1 left in stock order soon buy now payment secure transaction ships from amazon sold by aurora originals returns eligible for return refund or replacement within 30 days of receipt payment secure transaction

amazon com customer reviews midnight blue sonja blue collection - Jan 01 2023

web jun 8 2020 midnight blue sonja blue collection by nancy collins write a review how customer reviews and ratings work see all buying options top positive review positive reviews jennifer r shipley 5 0 out of 5 stars great books all together reviewed in the united states on june 8 2020 my all time favorite vampire series

9781565049000 midnight blue the sonja blue collection by - Sep 28 2022

web midnight blue the sonja blue collection and a great selection of related books art and collectibles available now at abebooks co uk 9781565049000 midnight blue the sonja blue collection by collins nancy a abebooks

midnight blue the sonja blue collection paperback - May 25 2022

web select the department you want to search in

midnight blue sonja blue collection by nancy a collins goodreads - Aug 08 2023

web jan 1 1988 midnight blue sonja blue collection nancy a collins 4 22 1 404 ratings 82 reviews white wolf proudly announces the return of sonja blue the powerful and intriguing vampiress chronicled in sunglasses after dark and in the blood