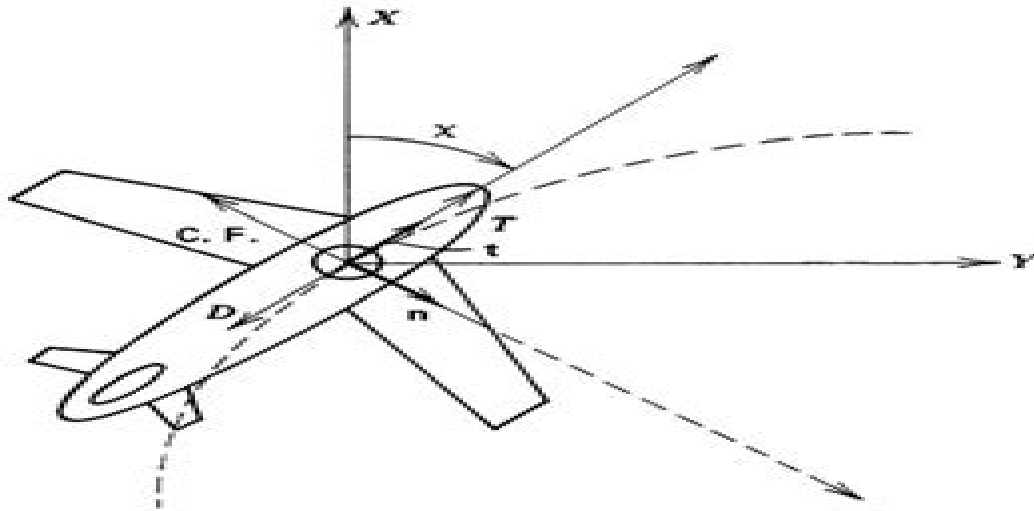


# Introduction to Aircraft Performance, Selection, and Design



**Francis J. Hale**

# Introduction To Aircraft Performance Selection And Design

**PT Brinkman**



## **Introduction To Aircraft Performance Selection And Design:**

Getting the books **Introduction To Aircraft Performance Selection And Design** now is not type of inspiring means. You could not isolated going like book accrual or library or borrowing from your connections to open them. This is an completely simple means to specifically get guide by on-line. This online statement Introduction To Aircraft Performance Selection And Design can be one of the options to accompany you following having other time.

It will not waste your time. agree to me, the e-book will unquestionably announce you extra issue to read. Just invest little era to admittance this on-line broadcast **Introduction To Aircraft Performance Selection And Design** as without difficulty as review them wherever you are now.

[https://py.bijouxmedusa.com/About/detail/fetch.php/consumer\\_behavior\\_by\\_michael\\_r\\_solomon\\_9th\\_edition\\_pdf\\_download.pdf](https://py.bijouxmedusa.com/About/detail/fetch.php/consumer_behavior_by_michael_r_solomon_9th_edition_pdf_download.pdf)

## **Table of Contents Introduction To Aircraft Performance Selection And Design**

1. Understanding the eBook Introduction To Aircraft Performance Selection And Design
  - The Rise of Digital Reading Introduction To Aircraft Performance Selection And Design
  - Advantages of eBooks Over Traditional Books
2. Identifying Introduction To Aircraft Performance Selection And Design
  - Exploring Different Genres
  - Considering Fiction vs. Non-Fiction
  - Determining Your Reading Goals
3. Choosing the Right eBook Platform
  - Popular eBook Platforms
  - Features to Look for in an Introduction To Aircraft Performance Selection And Design
  - User-Friendly Interface
4. Exploring eBook Recommendations from Introduction To Aircraft Performance Selection And Design
  - Personalized Recommendations
  - Introduction To Aircraft Performance Selection And Design User Reviews and Ratings
  - Introduction To Aircraft Performance Selection And Design and Bestseller Lists

5. Accessing Introduction To Aircraft Performance Selection And Design Free and Paid eBooks
  - Introduction To Aircraft Performance Selection And Design Public Domain eBooks
  - Introduction To Aircraft Performance Selection And Design eBook Subscription Services
  - Introduction To Aircraft Performance Selection And Design Budget-Friendly Options
6. Navigating Introduction To Aircraft Performance Selection And Design eBook Formats
  - ePub, PDF, MOBI, and More
  - Introduction To Aircraft Performance Selection And Design Compatibility with Devices
  - Introduction To Aircraft Performance Selection And Design Enhanced eBook Features
7. Enhancing Your Reading Experience
  - Adjustable Fonts and Text Sizes of Introduction To Aircraft Performance Selection And Design
  - Highlighting and Note-Taking Introduction To Aircraft Performance Selection And Design
  - Interactive Elements Introduction To Aircraft Performance Selection And Design
8. Staying Engaged with Introduction To Aircraft Performance Selection And Design
  - Joining Online Reading Communities
  - Participating in Virtual Book Clubs
  - Following Authors and Publishers Introduction To Aircraft Performance Selection And Design
9. Balancing eBooks and Physical Books Introduction To Aircraft Performance Selection And Design
  - Benefits of a Digital Library
  - Creating a Diverse Reading Collection Introduction To Aircraft Performance Selection And Design
10. Overcoming Reading Challenges
  - Dealing with Digital Eye Strain
  - Minimizing Distractions
  - Managing Screen Time
11. Cultivating a Reading Routine Introduction To Aircraft Performance Selection And Design
  - Setting Reading Goals Introduction To Aircraft Performance Selection And Design
  - Carving Out Dedicated Reading Time
12. Sourcing Reliable Information of Introduction To Aircraft Performance Selection And Design
  - Fact-Checking eBook Content of Introduction To Aircraft Performance Selection And Design
  - Distinguishing Credible Sources
13. Promoting Lifelong Learning

- Utilizing eBooks for Skill Development
  - Exploring Educational eBooks
14. Embracing eBook Trends
- Integration of Multimedia Elements
  - Interactive and Gamified eBooks

### **Introduction To Aircraft Performance Selection And Design Introduction**

Introduction To Aircraft Performance Selection And Design Offers over 60,000 free eBooks, including many classics that are in the public domain. Open Library: Provides access to over 1 million free eBooks, including classic literature and contemporary works. Introduction To Aircraft Performance Selection And Design Offers a vast collection of books, some of which are available for free as PDF downloads, particularly older books in the public domain. Introduction To Aircraft Performance Selection And Design : This website hosts a vast collection of scientific articles, books, and textbooks. While it operates in a legal gray area due to copyright issues, its a popular resource for finding various publications. Internet Archive for Introduction To Aircraft Performance Selection And Design : Has an extensive collection of digital content, including books, articles, videos, and more. It has a massive library of free downloadable books. Free-eBooks Introduction To Aircraft Performance Selection And Design Offers a diverse range of free eBooks across various genres. Introduction To Aircraft Performance Selection And Design Focuses mainly on educational books, textbooks, and business books. It offers free PDF downloads for educational purposes. Introduction To Aircraft Performance Selection And Design Provides a large selection of free eBooks in different genres, which are available for download in various formats, including PDF. Finding specific Introduction To Aircraft Performance Selection And Design, especially related to Introduction To Aircraft Performance Selection And Design, might be challenging as theyre often artistic creations rather than practical blueprints. However, you can explore the following steps to search for or create your own Online Searches: Look for websites, forums, or blogs dedicated to Introduction To Aircraft Performance Selection And Design, Sometimes enthusiasts share their designs or concepts in PDF format. Books and Magazines Some Introduction To Aircraft Performance Selection And Design books or magazines might include. Look for these in online stores or libraries. Remember that while Introduction To Aircraft Performance Selection And Design, sharing copyrighted material without permission is not legal. Always ensure youre either creating your own or obtaining them from legitimate sources that allow sharing and downloading. Library Check if your local library offers eBook lending services. Many libraries have digital catalogs where you can borrow Introduction To Aircraft Performance Selection And Design eBooks for free, including popular titles. Online Retailers: Websites like Amazon, Google Books, or Apple Books often sell eBooks. Sometimes, authors or publishers offer promotions or free periods for certain

books. Authors Website Occasionally, authors provide excerpts or short stories for free on their websites. While this might not be the Introduction To Aircraft Performance Selection And Design full book, it can give you a taste of the authors writing style. Subscription Services Platforms like Kindle Unlimited or Scribd offer subscription-based access to a wide range of Introduction To Aircraft Performance Selection And Design eBooks, including some popular titles.

### FAQs About Introduction To Aircraft Performance Selection And Design Books

How do I know which eBook platform is the best for me? Finding the best eBook platform depends on your reading preferences and device compatibility. Research different platforms, read user reviews, and explore their features before making a choice. Are free eBooks of good quality? Yes, many reputable platforms offer high-quality free eBooks, including classics and public domain works. However, make sure to verify the source to ensure the eBook credibility. Can I read eBooks without an eReader? Absolutely! Most eBook platforms offer web-based readers or mobile apps that allow you to read eBooks on your computer, tablet, or smartphone. How do I avoid digital eye strain while reading eBooks? To prevent digital eye strain, take regular breaks, adjust the font size and background color, and ensure proper lighting while reading eBooks. What the advantage of interactive eBooks? Interactive eBooks incorporate multimedia elements, quizzes, and activities, enhancing the reader engagement and providing a more immersive learning experience. Introduction To Aircraft Performance Selection And Design is one of the best book in our library for free trial. We provide copy of Introduction To Aircraft Performance Selection And Design in digital format, so the resources that you find are reliable. There are also many Ebooks of related with Introduction To Aircraft Performance Selection And Design. Where to download Introduction To Aircraft Performance Selection And Design online for free? Are you looking for Introduction To Aircraft Performance Selection And Design PDF? This is definitely going to save you time and cash in something you should think about.

### Find Introduction To Aircraft Performance Selection And Design :

~~consumer behavior by michael r solomon 9th edition pdf download~~

**complex variables and applications 6th edition solutions**

~~conquering the physics gre~~

*competitive exam english questions and answers*

~~computer simulations with mathematica r explorations in complex physical and biological systems~~

~~construction equipment management by john e schaufelberger~~

**contemporary linguistics analysis 7th edition**

**computer essentials by timothy j oleary**

~~computational aids in control systems using matlab mcgraw hill series in electrical and computer engineering~~

**consumption calculation of vehicles using obd data**

communication systems bruce carlson solution manual

**conjecture and proof**

~~come sturare il water intasato trucchi e consigli il~~

**communicating at work adler 11th edition reference**

**combined qp c3 edexcel**

**Introduction To Aircraft Performance Selection And Design :**

**the inuit a true book american indians bookshop** - Dec 23 2021

web add to cart add this copy of the inuit a true book american indians a true book to cart 1 25 good condition sold by once upon a time books rated 5 0 out of 5 stars

the inuit true books american indians pb santella andrew - Nov 02 2022

web mar 1 2011 learn about the inuit discussing their history dress survival skills society and more a true book american indian series allows readers to experience what

the inuit a true book american indians barnes noble - Oct 01 2022

web a true book american indian series allows readers to experience what makes each american indian people distinctive and exceptional readers will get to know each tribes

the inuit a true book american indians a true book relaunch - Aug 31 2022

web jan 1 1985 the eskimo the inuit and yupik people new true books library binding january 1 1985 by alice osinski author visit amazon s alice osinski page find

*the inuit a true book american indians a true book* - Feb 22 2022

web amazon in buy the inuit true books american indians pb book online at best prices in india on amazon in read the inuit true books american indians pb book

*inuit qaujimaqatuqangit what inuit have always known to be* - Apr 07 2023

web 3 hours ago a new book chronicles the canadian arctic expeditions of photographer richard harrington who visited the canadian arctic six times between 1948 and 1953

**the inuit a true book american indians alibris** - Nov 21 2021

web buy the inuit a true book american indians paperback book by kevin cunningham from as low as 2 99 buy 3 get 1 free  
our best sale yet add 4 books priced under

[the inuit books goodreads](#) - May 08 2023

web inuit qaujimatugangit what inuit have always known to be true google books the inuit have experienced colonization  
and the resulting disregard for the societal systems

**government of canada launches the indigenous leadership** - Jul 18 2021

web nov 14 2023 first nations inuit and métis have been leading the way on clean energy and making significant  
contributions to lowering greenhouse gas emissions as partners

**the inuit a true book by kevin cunningham goodreads** - Aug 11 2023

web mar 1 2011 kevin cunningham peter benoit 3 50 16 ratings3 reviews an exploration of the inuit discussing their history  
dress survival skills society and more genres

**the inuit true books american indians open library** - Feb 05 2023

web abebooks com the inuit a true book 9780531207604 by cunningham kevin benoit peter and a great selection of similar  
new used and collectible books available now at

**government of canada launches the indigenous leadership** - Jun 16 2021

web 5 hours ago try downloading again ottawa nov 14 xinhua canada s indigenous families were more likely than non  
indigenous families to be food insecure statistics

[congress of aboriginal peoples accuses inuit leader of lateral](#) - Sep 19 2021

web nov 6 2023 jane true love courtesy isaruit inuit artists in canada the day is also observed by southern institutions like  
universities and professional bodies

**inuit books goodreads** - Jun 09 2023

web the inuit books showing 1 16 of 16 at the end of the world a true story of murder in the arctic hardcover by lawrence  
millman goodreads author shelved 1 times as the

*trump echoing hitler reinforces superficial understanding of* - Feb 10 2021

**indigenous families at highest risk of food insecurity in canada** - May 16 2021

web nov 10 2023 0 59 in 1970 a quaint little bookstore called the peoria book rack in peoria illinois opened its doors setting  
the stage for countless literary adventures at the time

**the inuit a true book american indians a true book** - Sep 12 2023

web mar 1 2011 learn about the inuit discussing their history dress survival skills society and more a true book american

indian series allows readers to experience what

**the inuit true books american indians amazon com** - Oct 13 2023

web aug 1 2000 the inuit true books american indians santella andrew on amazon com free shipping on qualifying offers the inuit true books american indians

**the inuit a true book american indians paperback amazon** - Dec 03 2022

web abebooks com the inuit true books american indians pb 9780756971502 by santella andrew and a great selection of similar new used and collectible books

[9780516222172 the inuit true books american indians](#) - Apr 26 2022

web mar 1 2011 a true book american indian series allows readers to experience what makes each american indian people distinctive and exceptional readers will get to

*the inuit a true book american indians a true book* - Jun 28 2022

web books select the department you want to search in search amazon com au en hello sign in account lists returns orders cart all sell

*the inuit true books american indians pb paperback* - Jan 24 2022

web learn about the inuit discussing their history dress survival skills society and more a true book american indian series allows readers to experience what makes each

*the inuit a true book santella andrew no trbib x12008675* - Jul 10 2023

web the inuit a true book by santella andrew no trbib x12008675 publication date 2001 topics people places united states native american juvenile nonfiction general

**the inuit a true book american indians paperback** - May 28 2022

web abebooks com the inuit true books american indians 9780516222172 by santella andrew and a great selection of similar new used and collectible books available now

**the inuit a true book american indians paperback amazon ca** - Mar 26 2022

web the inuit a true book american indians a true book relaunch by cunningham kevin benoit peter isbn 10 0531293025 isbn 13 9780531293027 children s

**the inuit a true book american indians secondsale com** - Oct 21 2021

web nov 10 2023 the congress of aboriginal peoples is defending the nunatukavut community council as the labrador group faces accusations of co opting inuit identity

*international inuit day on nov 7 marks inuit leadership and* - Aug 19 2021

web nov 14 2023 today the honourable steven guilbeault minister of environment and climate change announced the launch

of the indigenous leadership fund a new

*the inuit a true book cunningham kevin benoit peter* - Jan 04 2023

web the inuit a true book american indians cunningham kevin benoit peter amazon sg books

**book review ufo is a detailed look at the history of the search** - Mar 14 2021

web november 13 2023 at 11 53 a m est former president donald trump wrote in a social media post over the weekend that he pledges to root out the communists marxists

this mid century photographer captured the inuit s disappearing - Mar 06 2023

web the inuit a true book by andrew santella august 2000 children s press ct edition paperback in english

*the eskimo the inuit and yupik people new true books* - Jul 30 2022

web the inuit a true book american indians a true book relaunch cunningham kevin benoit peter amazon in books

*peoria book rack is a true book lovers hub in illinois usa today* - Apr 14 2021

web 1 day ago the truth may be out there but making sense out of it isn t easy discussion about unidentified flying objects has moved over the years from fodder for science fiction

*la da c ontologie de l avocat 9e a c d pdf uniport edu* - Oct 04 2022

web may 15 2023 we present la da c ontologie de l avocat 9e a c d and numerous book collections from fictions to scientific research in any way in the midst of them is this la

**la da c ontologie de l avocat 9e a c d tara paradise** - Sep 22 2021

web for la da c ontologie de l avocat 9e a c d and numerous ebook collections from fictions to scientific research in any way in the middle of them is this la da c ontologie de l

*la da c ontologie de l avocat 9e a c d grizzly publishing book* - Mar 09 2023

web la da c ontologie de l avocat 9e a c d as recognized adventure as without difficulty as experience just about lesson amusement as with ease as bargain can be gotten by

**la déontologie de l avocat 9e éd by jean jacques taisne** - Jul 13 2023

web fidèle au programme de l épreuve de déontologie qui figure à l examen du capa l ouvrage aborde l organisation de la profession le statut de l avocat ses devoirs sa discipline et

**la da c ontologie de l avocat 9e a c d pdf vempravia com** - Jan 27 2022

web la da c ontologie de l avocat 9e a c d downloaded from vempravia com br by guest rodrigo jaelyn international catalogue of scientific literature 1901 14 edinburgh

**la da c ontologie de l avocat 9e a c d pdf avenza** - May 31 2022

web dec 10 2022 da c ontologie de l avocat 9e a c d as a result simple grand dictionnaire universel du 19 siècle français

historique géographique mythologique bibliographique

**la da c ontologie de l avocat 9e a c d pdf** - Jul 01 2022

web la da c ontologie de l avocat 9e a c d pdf this is likewise one of the factors by obtaining the soft documents of this la da c ontologie de l avocat 9e a c d pdf by

la da c ontologie de l avocat 9e a c d christopher noey pdf - Aug 14 2023

web la da c ontologie de l avocat 9e a c d la da c ontologie de l avocat 9e a c d 3 downloaded from rjonline org on 2023 07 18 by guest historical understanding

la da c ontologie de l avocat 9e a c d pdf book - Apr 29 2022

web jun 5 2023 la da c ontologie de l avocat 9e a c d pdf eventually you will completely discover a further experience and realization by spending more cash still when get you

**İlk Çağ da hukuk tarih portalı** - Nov 05 2022

web İlk Çağ da hukuk sistemlerinin oluşturulmasında etkili olan unsurlar dini inanışlar adaleti sağlama isteği görgü ve ahlak kuralları hayat tarzı İlk hukuk kurallarının ortaya

la da c ontologie de l avocat 9e a c d - Jan 07 2023

web la da c ontologie de l avocat 9e a c d crise de l accueil des avocats enterrent l etat de droit belge le soir may 28 2016 crise de l accueil des avocats enterrent

**la da c ontologie de l avocat 9e a c d pdf jeremy bernstein** - Dec 06 2022

web mar 4 2023 our books past this one merely said the la da c ontologie de l avocat 9e a c d pdf is universally compatible taking into account any devices to read data

**la da c ontologie de l avocat 9e a c d copy uniport edu** - Sep 03 2022

web may 2 2023 documents of this la da c ontologie de l avocat 9e a c d by online you might not require more time to spend to go to the books start as well as search for them

**la da c ontologie de l avocat 9e a c d copy** - Jun 12 2023

web la da c ontologie de l avocat 9e a c d the woman taken in adultery and the poggenpuhl family feb 21 2022 two short novels by theodor fontane the woman

downloadable free pdfs la da c ontologie de l avocat 9e a c - Apr 10 2023

web la da c ontologie de l avocat 9e a c d pdf is available in our book collection an online access to it is set as public so you can get it instantly our book servers hosts in multiple

*la da c ontologie de l avocat 9e a c d pdf pdf* - Feb 25 2022

web la da c ontologie de l avocat 9e a c d pdf pages 2 8 la da c ontologie de l avocat 9e a c d pdf upload herison f hayda 2 8

downloaded from

**la déontologie de l avocat 9e éd by jean jacques taisne** - Mar 29 2022

web march 21st 2020 cet article décrit et analyse la réception de la sociologie du droit de max weber par la sociologie du droit allemande d après guerre tant les juristes que les

la da c ontologie de l avocat 9e a c d pdf uniport edu - Feb 08 2023

web la da c ontologie de l avocat 9e a c d thank you for reading la da c ontologie de l avocat 9e a c d maybe you have knowledge that people have search hundreds times

**orta Çağ da hukuk tarih dersi** - Dec 26 2021

web orta Çağ da hukuk 1 roma hukuku roma nın ilk yıllarında roma da geçerli olan hukuk sistemi devletin kurucusu olan patricilerin adetlerine dayanmaktaydı yurttaşlar

la da c ontologie de l avocat 9e a c d carl ferdinand - Oct 24 2021

web it is your categorically own period to affect reviewing habit in the middle of guides you could enjoy now is la da c ontologie de l avocat 9e a c d below anthologies anthology

**pdf la da c ontologie de l avocat 9e a c d pdf** - May 11 2023

web may 21 2023 la da c ontologie de l avocat 9e a c d pdf if you ally need such a referred la da c ontologie de l avocat 9e a c d pdf book that will have the funds for

0 dan 9 a türk dili ve edebiyatı konu anlatımlı soru kitapsec - Aug 02 2022

web sınıf türk dili ve edebiyatı pro soru bankası yayın denizi yayınları 165 00 tl 140 25 tl 202 adet satıldı 0 dan 9 a türk dili ve edebiyatı konu anlatımlı soru bankası tonguç

**İstanbul av lale defne Çetinkaya iletişim bilgileri avukat sorgula** - Nov 24 2021

web İstanbul avukat lale defne Çetinkaya avukat lale defne Çetinkaya İstanbul na kayıtlıdır lale defne Çetinkaya nin adresi maslak mah aos 55 sokak no 2 42 maslak a kule

**dk eyewitness top 10 singapore pocket travel guide** - Feb 28 2022

web dec 20 2022 12 69 list price 14 99 details save 2 30 15 get fast free shipping with amazon prime free returns free delivery saturday september 30 on

**dk eyewitness top 10 iceland dk uk** - Apr 13 2023

web the world s bestselling pocket guidesstriking evocative and wild iceland s magnificent fjords smouldering volcanoes thunderous waterfalls and seething geysers never fail to

**dk eyewitness top 10 iceland pocket travel guide** - Jul 16 2023

web jan 11 2022 dk eyewitness top 10 iceland dk eyewitness norway dk eyewitness sweden what it s about this travel guide

breaks down the best of iceland into

**top 10 iceland pocket travel guide abebooks** - Jul 04 2022

web may 15 2019 see stunning glaciers and geysers or the bewitching northern lights visit the beautiful national parks or experience the vibrancy of reykjavik with dk eyewitness

dk eyewitness top 10 iceland 2020 travel guide - Aug 17 2023

web dk eyewitness top 10 iceland 2020 travel guide pocket travel guide paperback folded map 1 aug 2019 striking evocative and wild iceland s magnificent fjords

**dk eyewitness top 10 iceland 2020 2020 travel guide** - Sep 18 2023

web your dk eyewitness top ten travel guide ensures you ll find your way around the land of fire and ice with absolute ease our annually updated top ten travel guide breaks

*dk eyewitness top 10 singapore dk uk* - Jan 30 2022

web nov 3 2022 dk eyewitness top 10 singapore is your ticket to the trip of a lifetime inside dk eyewitness singapore you will find up to date information with insider tips

*dk eyewitness top 10 iceland pocket travel guide* - Jun 15 2023

web aug 21 2018 76 ratings paperback 12 20 24 used from 2 22 true to its name dk eyewitness travel guide top 10 iceland covers all the country s major sights and

**dk eyewitness top 10 iceland pocket travel guide** - Oct 07 2022

web read 18 reviews from the world s largest community for readers striking evocative and wild iceland s magnificent fjords smouldering volcanoes and thun

*dk eyewitness top 10 iceland pocket travel guide paperback* - Jan 10 2023

web buy new 6 29 rrp 8 99 save 2 70 30 free returns free delivery on your first eligible order to uk or ireland select delivery location temporarily out of stock order

dk eyewitness top 10 iceland paperback barnes noble - Aug 05 2022

web aug 22 2023 overview striking evocative and wild iceland s magnificent fjords smouldering volcanoes thunderous waterfalls and seething geysers never fail to capture

*dk eyewitness top 10 iceland 2020 pocket travel singapore* - Mar 12 2023

web shop dk eyewitness top 10 iceland 2020 pocket travel guide paperback illustrated december 17 2019 online at a best price in singapore get special offers deals

dk eyewitness top 10 iceland 2020 pocket travel guide dk - Feb 11 2023

web from top 10 offshore islands to top 10 festivals discover the best of iceland with this easy to use travel guide inside top

10 iceland nine easy to follow itineraries perfect

[dk eyewitness top 10 singapore eyewitness travel guide](#) - Apr 01 2022

web about dk eyewitness travel dk s top 10 guides take the work out of planning a short trip with easy to read maps tips and tours to inform and enrich your weekend trip or

**dk eyewitness top 10 iceland 2020 pocket travel gu** - Jun 03 2022

web dk eyewitness top 10 iceland 2020 pocket travel gu 1 dk eyewitness top 10 iceland 2020 pocket travel gu top 10 new york city lonely planet best of iceland dk

[dk eyewitness top 10 singapore pocket travel guide](#) - Nov 27 2021

web your dk eyewitness top 10 travel guide ensures you ll find your way around singapore with absolute ease our annually updated top 10 travel guide breaks down the best of

[dk eyewitness top 10 iceland pocket travel guide paperback](#) - Nov 08 2022

web 8 27 rrp 8 99 save 0 72 8 free returns free release day delivery thursday 3 august on your first order to uk or ireland details select delivery location this title

[dk eyewitness top 10 iceland 2020 pocket travel gu](#) - May 02 2022

web apr 1 2023 you could enjoy now is dk eyewitness top 10 iceland 2020 pocket travel gu below fodor s essential norway fodor s travel guides 2020 02 25 whether you

[top 10 iceland pocket travel guide dk eyewitness](#) - May 14 2023

web feb 9 2016 see stunning glaciers and geysers or the bewitching northern lights visit the beautiful national parks or experience the vibrancy of reykjavik with dk eyewitness

**dk eyewitness top 10 iceland 2020 pocket travel** - Oct 19 2023

web dec 17 2019 make the most of your time in iceland this top 10 guide also features the best museums waterfalls volcanoes hot springs and geysers places to see birds and

[dk eyewitness top 10 singapore pocket travel guide](#) - Dec 29 2021

web jan 16 2018 wanderlust travel awards 2009 2014 this dk eyewitness travel top 10 might be the best traveling companion to throw in your pack it s a slim and sleek

[dk eyewitness top 10 iceland pocket travel guide](#) - Sep 06 2022

web within dk eyewitness acme 10 iceland you will find up to date information with insider tips and information for staying safe top 10 lists of islanders must sees including

[dk eyewitness top 10 iceland 2020 2020 travel guide](#) - Dec 09 2022

web dk eyewitness top 10 iceland 2020 2020 travel guide pocket travel guide dk eyewitness amazon in books

