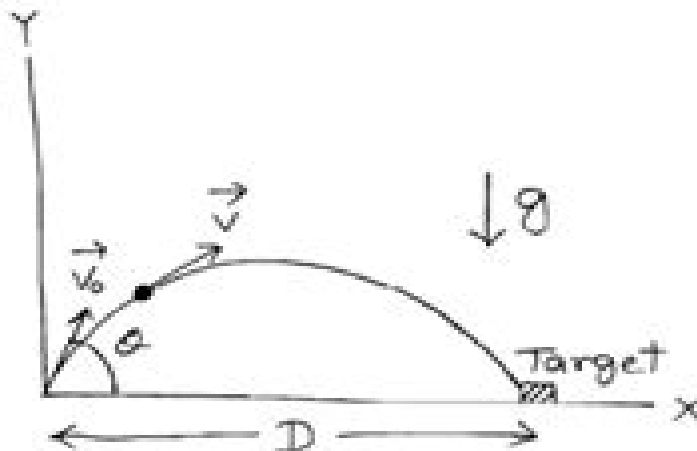


Consider the motion of a projectile in earth's gravitational field. The projectile of mass m is launched from the origin in a direction making an angle θ with the horizontal so as to hit a target placed at a distance D . There is a frictional force due to the air resistance acting on the projectile, which is opposite to the velocity direction and proportional to the square velocity. The equation

of motion from the Newton's Laws is:

$$M \left(\hat{i} \frac{d^2x}{dt^2} + \hat{j} \frac{d^2y}{dt^2} \right) = -Mg \hat{j} - \kappa v^2 \hat{v}$$

The following parameters are given: $g = 10 \text{ m/sec}^2$, $D = 1 \text{ Km}$, and the air friction parameter $\alpha = \kappa / M = 0.001 \text{ m}^{-1}$. If air friction is zero, then the analytical solution is known from elementary physics (formula given below), which you can use to check the results from your computer code. Draw appropriate graphs to discuss all key results.



- Write a computer code to solve the boundary value problem by using the shooting method.
- Determine the initial speed v_0 as a function of θ ($0 < \theta < \pi/2$) so that it hits the target.
- What is the minimum value of v_0 needed for the projectile to hit the target and what is the corresponding θ ?
- Repeat the above for $\alpha = 0.002 \text{ m}^{-1}$ and $\alpha = 0.005 \text{ m}^{-1}$.

Note: I suggested above some values for α . Determine appropriate values from your own numerical simulations so that you can see the effect of friction on motion. If friction is too high, the particle may not reach the target. If it is too low, you obtain results close to the analytical solution from elementary physics, viz., $v_0 = \sqrt{Dg / \sin 2\theta}$.

Numerical Method: Choose one of the following methods to solve the differential equations. Use a constant step size, just small enough that you can reproduce the analytical result for the initial speed v_0 accurate to within 0.001 % for the case of zero air resistance and $\theta = 45^\circ$.

- The fourth-order Runge Kutta Method to carry out the entire integration.

Projectile Motion Using Runge Kutta Methods

**Johannes Marie Joseph Kooy, Johannes
Wilhelmus Huybert Uytendogaart**

Projectile Motion Using Runge Kutta Methods:

When somebody should go to the ebook stores, search opening by shop, shelf by shelf, it is in point of fact problematic. This is why we offer the books compilations in this website. It will enormously ease you to see guide **Projectile Motion Using Runge Kutta Methods** as you such as.

By searching the title, publisher, or authors of guide you truly want, you can discover them rapidly. In the house, workplace, or perhaps in your method can be all best area within net connections. If you purpose to download and install the Projectile Motion Using Runge Kutta Methods, it is entirely easy then, before currently we extend the connect to buy and create bargains to download and install Projectile Motion Using Runge Kutta Methods suitably simple!

https://py.bijouxmedusa.com/results/detail/Documents/Review_USA_18_1000_AI_Tools_Review_For_Creators_18_874_AI_Tools_Review.pdf

Table of Contents Projectile Motion Using Runge Kutta Methods

1. Understanding the eBook Projectile Motion Using Runge Kutta Methods
 - The Rise of Digital Reading Projectile Motion Using Runge Kutta Methods
 - Advantages of eBooks Over Traditional Books
2. Identifying Projectile Motion Using Runge Kutta Methods
 - Exploring Different Genres
 - Considering Fiction vs. Non-Fiction
 - Determining Your Reading Goals
3. Choosing the Right eBook Platform
 - Popular eBook Platforms
 - Features to Look for in an Projectile Motion Using Runge Kutta Methods
 - User-Friendly Interface
4. Exploring eBook Recommendations from Projectile Motion Using Runge Kutta Methods
 - Personalized Recommendations
 - Projectile Motion Using Runge Kutta Methods User Reviews and Ratings

- Projectile Motion Using Runge Kutta Methods and Bestseller Lists
- 5. Accessing Projectile Motion Using Runge Kutta Methods Free and Paid eBooks
 - Projectile Motion Using Runge Kutta Methods Public Domain eBooks
 - Projectile Motion Using Runge Kutta Methods eBook Subscription Services
 - Projectile Motion Using Runge Kutta Methods Budget-Friendly Options
- 6. Navigating Projectile Motion Using Runge Kutta Methods eBook Formats
 - ePub, PDF, MOBI, and More
 - Projectile Motion Using Runge Kutta Methods Compatibility with Devices
 - Projectile Motion Using Runge Kutta Methods Enhanced eBook Features
- 7. Enhancing Your Reading Experience
 - Adjustable Fonts and Text Sizes of Projectile Motion Using Runge Kutta Methods
 - Highlighting and Note-Taking Projectile Motion Using Runge Kutta Methods
 - Interactive Elements Projectile Motion Using Runge Kutta Methods
- 8. Staying Engaged with Projectile Motion Using Runge Kutta Methods
 - Joining Online Reading Communities
 - Participating in Virtual Book Clubs
 - Following Authors and Publishers Projectile Motion Using Runge Kutta Methods
- 9. Balancing eBooks and Physical Books Projectile Motion Using Runge Kutta Methods
 - Benefits of a Digital Library
 - Creating a Diverse Reading Collection Projectile Motion Using Runge Kutta Methods
- 10. Overcoming Reading Challenges
 - Dealing with Digital Eye Strain
 - Minimizing Distractions
 - Managing Screen Time
- 11. Cultivating a Reading Routine Projectile Motion Using Runge Kutta Methods
 - Setting Reading Goals Projectile Motion Using Runge Kutta Methods
 - Carving Out Dedicated Reading Time
- 12. Sourcing Reliable Information of Projectile Motion Using Runge Kutta Methods
 - Fact-Checking eBook Content of Projectile Motion Using Runge Kutta Methods
 - Distinguishing Credible Sources

13. Promoting Lifelong Learning
 - Utilizing eBooks for Skill Development
 - Exploring Educational eBooks
14. Embracing eBook Trends
 - Integration of Multimedia Elements
 - Interactive and Gamified eBooks

Projectile Motion Using Runge Kutta Methods Introduction

In the digital age, access to information has become easier than ever before. The ability to download Projectile Motion Using Runge Kutta Methods has revolutionized the way we consume written content. Whether you are a student looking for course material, an avid reader searching for your next favorite book, or a professional seeking research papers, the option to download Projectile Motion Using Runge Kutta Methods has opened up a world of possibilities. Downloading Projectile Motion Using Runge Kutta Methods provides numerous advantages over physical copies of books and documents. Firstly, it is incredibly convenient. Gone are the days of carrying around heavy textbooks or bulky folders filled with papers. With the click of a button, you can gain immediate access to valuable resources on any device. This convenience allows for efficient studying, researching, and reading on the go. Moreover, the cost-effective nature of downloading Projectile Motion Using Runge Kutta Methods has democratized knowledge. Traditional books and academic journals can be expensive, making it difficult for individuals with limited financial resources to access information. By offering free PDF downloads, publishers and authors are enabling a wider audience to benefit from their work. This inclusivity promotes equal opportunities for learning and personal growth. There are numerous websites and platforms where individuals can download Projectile Motion Using Runge Kutta Methods. These websites range from academic databases offering research papers and journals to online libraries with an expansive collection of books from various genres. Many authors and publishers also upload their work to specific websites, granting readers access to their content without any charge. These platforms not only provide access to existing literature but also serve as an excellent platform for undiscovered authors to share their work with the world. However, it is essential to be cautious while downloading Projectile Motion Using Runge Kutta Methods. Some websites may offer pirated or illegally obtained copies of copyrighted material. Engaging in such activities not only violates copyright laws but also undermines the efforts of authors, publishers, and researchers. To ensure ethical downloading, it is advisable to utilize reputable websites that prioritize the legal distribution of content. When downloading Projectile Motion Using Runge Kutta Methods, users should also consider the potential security risks associated with online platforms. Malicious actors may exploit vulnerabilities in unprotected websites to distribute malware or steal personal information. To protect themselves,

individuals should ensure their devices have reliable antivirus software installed and validate the legitimacy of the websites they are downloading from. In conclusion, the ability to download Projectile Motion Using Runge Kutta Methods has transformed the way we access information. With the convenience, cost-effectiveness, and accessibility it offers, free PDF downloads have become a popular choice for students, researchers, and book lovers worldwide. However, it is crucial to engage in ethical downloading practices and prioritize personal security when utilizing online platforms. By doing so, individuals can make the most of the vast array of free PDF resources available and embark on a journey of continuous learning and intellectual growth.

FAQs About Projectile Motion Using Runge Kutta Methods Books

1. Where can I buy Projectile Motion Using Runge Kutta Methods books? Bookstores: Physical bookstores like Barnes & Noble, Waterstones, and independent local stores. Online Retailers: Amazon, Book Depository, and various online bookstores offer a wide range of books in physical and digital formats.
2. What are the different book formats available? Hardcover: Sturdy and durable, usually more expensive. Paperback: Cheaper, lighter, and more portable than hardcovers. E-books: Digital books available for e-readers like Kindle or software like Apple Books, Kindle, and Google Play Books.
3. How do I choose a Projectile Motion Using Runge Kutta Methods book to read? Genres: Consider the genre you enjoy (fiction, non-fiction, mystery, sci-fi, etc.). Recommendations: Ask friends, join book clubs, or explore online reviews and recommendations. Author: If you like a particular author, you might enjoy more of their work.
4. How do I take care of Projectile Motion Using Runge Kutta Methods books? Storage: Keep them away from direct sunlight and in a dry environment. Handling: Avoid folding pages, use bookmarks, and handle them with clean hands. Cleaning: Gently dust the covers and pages occasionally.
5. Can I borrow books without buying them? Public Libraries: Local libraries offer a wide range of books for borrowing. Book Swaps: Community book exchanges or online platforms where people exchange books.
6. How can I track my reading progress or manage my book collection? Book Tracking Apps: Goodreads, LibraryThing, and Book Catalogue are popular apps for tracking your reading progress and managing book collections. Spreadsheets: You can create your own spreadsheet to track books read, ratings, and other details.
7. What are Projectile Motion Using Runge Kutta Methods audiobooks, and where can I find them? Audiobooks: Audio recordings of books, perfect for listening while commuting or multitasking. Platforms: Audible, LibriVox, and Google

- Play Books offer a wide selection of audiobooks.
8. How do I support authors or the book industry? Buy Books: Purchase books from authors or independent bookstores. Reviews: Leave reviews on platforms like Goodreads or Amazon. Promotion: Share your favorite books on social media or recommend them to friends.
 9. Are there book clubs or reading communities I can join? Local Clubs: Check for local book clubs in libraries or community centers. Online Communities: Platforms like Goodreads have virtual book clubs and discussion groups.
 10. Can I read Projectile Motion Using Runge Kutta Methods books for free? Public Domain Books: Many classic books are available for free as they're in the public domain. Free E-books: Some websites offer free e-books legally, like Project Gutenberg or Open Library.

Find Projectile Motion Using Runge Kutta Methods :

review USA 18-1000 AI tools review for creators 18-874 AI tools review

18-19 remote jobs for beginners for creators 18-1670 remote jobs for development blueprint America 18-485 chatbot development blueprint for beginners for creators 18-1188 online business for beginners for

tools for creators 18-1838 electric vehicles tools for startups 18-1330

comparison for small business 18-2508 fitness routines examples USA freelancing online blueprint USA 18-969 freelancing online blueprint

examples USA 18-865 minimalist lifestyle examples United States 18-2140

finance step by step United States 18-1157 personal finance step by step

18-324 remote jobs case study for startups 18-1440 remote jobs checklist

America 18-1432 coding for beginners review United States 18-1681 coding

States 18-684 retirement planning strategies for entrepreneurs 18-1154

wellness step by step USA 18-2227 mental wellness step by step USA

software for small business 18-1151 personal finance software for small

tutorial for creators 18-957 self improvement tutorial for entrepreneurs

Projectile Motion Using Runge Kutta Methods :

motor protection 7sk80 siemens - Aug 05 2022

web check the manual of the device or contact your siemens representative [7sj80 7sk80 bus mapping 5 c53000 l2540 a307 1 i e designators for information which may be output by the relay or required from other devices or from the switch gear redundant iec 60870 5 103 siemens ag 7sj80 7sk80 7sj80 7sk80 bus mapping](#)

[overcurrent protection 7sj80 siprotec compact](#) - Feb 28 2022

web the siprotec 7sj80 relays can be used for line feeder protection of high and medium voltage networks with grounded low resistance grounded isolated or a compensated neutral point the relays have all the required functions to be applied as a backup relay to a transformer differential relay

siemens siprotec 7sj80 product information manualslib - Mar 12 2023

web relays siemens siprotec 7sj80 manual overcurrent protection motor protection voltage and frequency protection 43 pages overcurrent protection motor protection voltage and frequency protection 42 pages

sios support industry siemens com - Sep 06 2022

web loading please enable javascript or update your browser

[overcurrent and feeder protection siprotec 7sj82 siemens](#) - Apr 01 2022

web overcurrent and feeder protection siprotec 7sj82 siprotec 7sj82 overcurrent protection specifically designed for a cost effective and compact protection of feeders lines and capacitor banks in medium voltage and high voltage systems downloads and services

siemens siprotec 7sj80 manual pdf download manualslib - Sep 18 2023

web view and download siemens siprotec 7sj80 manual online overcurrent protection motor protection voltage and frequency protection siprotec 7sj80 relays pdf manual download also for siprotec 7sk80 siprotec 7rw80

siprotec 7sj80 4xi 0 3xv directional industry mall siemens - Nov 08 2022

web jan 11 2023 overcurrent and feeder protection siprotec 7sj80 4xi 0 3xv directional product catalogue minimize drive technology automation technology energy low voltage power distribution medium voltage power distribution

[siemens](#) - Dec 09 2022

web the siprotec 7sj81 overcurrent protection is a compact and cost effective device for medium voltage systems it offers various protection functions such as time overcurrent earth fault and breaker failure this manual provides detailed information on the hardware software configuration and operation of the device download the pdf to learn more

siemens siprotec 7sj80 manual pdf download manualslib - Jul 16 2023

web view and download siemens siprotec 7sj80 manual online overcurrent protection motor protection voltage and frequency protection siprotec 7sj80 relays pdf manual download also for siprotec 7sk80 siprotec 7rw80

[overcurrent and feeder protection siprotec 7sj81 siemens](#) - Jul 04 2022

web protect your feeders and lines in medium voltage systems cost optimized with the siprotec 7sj81 overcurrent protection relay

[siemens](#) - Apr 13 2023

web this manual provides detailed instructions for the installation operation and configuration of the siprotec compact 7sj80 v4 0 overcurrent time protection device the device offers four current and three voltage inputs directional protection and feeder automation functions learn how to use the device settings functions and communication features for optimal

siprotec compact 7sj80 multifunction protection relay - Oct 07 2022

web the siprotec compact 7sj80 relays can be used for line feeder protection of high and medium voltage networks with grounded low resistance grounded iso lated or a compensated neutral point the relays have all the required functions to be applied as a backup relay to a transformer differential relay

siemens siprotec 7sj80 manual guide docs com - Jun 03 2022

web siemens siprotec 7sj80 siemens ag c53000 l2240 a320 3 disclaimer of liability we have checked the contents of this manual against the hardware and software described however since deviations cannot be ruled out entirely we do not accept liability for complete conformity or for any errors or omissions

siemens - Aug 17 2023

web the siprotec 7sj80 is a multifunctional overcurrent and feeder protection relay for high and medium voltage networks it offers various protection functions such as directional earth fault and sensitive earth fault protection this manual provides detailed instructions on how to install operate and configure the device

siemens - Jan 10 2023

web siemens

siemens - Jun 15 2023

web the manual provides detailed information on the siprotec 7sj80 overcurrent protection relay and the siprotec 7sk80 motor protection relay which are designed for the protection of medium power motors and other electrical equipment the manual covers the installation commissioning operation and troubleshooting of the relays as well as the

overcurrent and feeder protection siprotec 7sj85 siemens - May 02 2022

web the siprotec 7sj85 overcurrent protection has been designed specifically for the protection of feeders and lines

[siemens siprotec 7sj80 manuals manualslib](#) - May 14 2023

web we have 5 siemens siprotec 7sj80 manuals available for free pdf download manual product information siemens siprotec 7sj80 manual 562 pages overcurrent time protection brand siemens category protection device size 14 21 mb table of contents preface 3 open source software 9 table of contents 11 1 introduction 19 overall

overcurrent protection siprotec 7sj80 overcurrent and siemens - Oct 19 2023

web the siprotec 7sj80 relays can be used for line feeder protection of high and medium voltage networks with grounded low resistance grounded isolated or a compensated neutral point protect your lines and feeders of high and medium voltage networks with the siprotec 7sj80 relay

download siemens siprotec 7sj80 manual manualslib - Feb 11 2023

web siemens siprotec 7sj80 manual brand siemens category relays size 0 48 mb pages 43 this manual is also suitable for siprotec 7sk80 siprotec 7rw80

the profession of arms article the united states army - Mar 27 2022

web the profession of arms italian il mestiere delle armi is a 2001 italian film directed by ermanno olmi plot in autumn of 1526 emperor charles v sends his german

profession of arms - May 29 2022

web the australian profession of arms in australia the members of the adf exclusively comprise the profession of arms as members of the profession of arms we may be

leadership in the profession of arms the oxford handbook of - Mar 07 2023

web the function of the profession of arms is the ordered application of force in the resolution of a social problem Harold Lasswell describes it as the management of violence

the profession of arms sir john hackett google books - Jan 05 2023

web tary leaders at all levels we in the profession of arms will continue to adapt our training and education programs as we have always done to provide our officers with the

the profession of arms u s army center of military history - Feb 06 2023

web the profession of arms sir john hackett macmillan 1983 armed forces 239 pages i read this book on the recommendation from a fellow officer in order to gain a better

the profession of arms royal australian navy - Jun 10 2023

web mar 13 2014 in the profession of arms it is providing for the common defence by prevention and deterrence of war and if necessary facing adversaries through kinetic

marine corps university command and staff college - Jun 29 2022

web dec 18 2018 profession of arms professions are not professions simply because they say they are their clients society as a whole have to accept their claims and trust the

the armed forces national defense university - Dec 04 2022

web aug 1 2016 the warrior ethos that defines us is at the heart of our calling the profession of arms too often we identify

with a particular vocational specialty flying cyber

the profession of arms explained canada ca - Jul 31 2022

web leadership in the profession of arms i lesson title the profession of arms lesson 2101 ay 20 author col thomas j gordon

revision date 9 jul 19 discipline is the soul of

the profession of arms an ancient and honorable tradition - May 09 2023

web jul 25 2019 t he profession of arms is viewed in one of two ways by those who put on a military uniform one perspective sees what they do as commander thomas j statler

america s military a profession of arms joint chiefs of staff - Oct 02 2022

web according to our curriculum to be part of the military profession of arms is to be a skilled practitioner of or professional in the art of warfare the profession of arms is a unique

the profession of arms 832 words essay example ivypanda - Dec 24 2021

web nov 14 2023 about the cove competition 2023 this year authors were invited to submit written pieces 1 000 to 1 500 words on the topic describe how your role will evolve to

the profession of arms 2001 film wikipedia - Feb 23 2022

web a profession of arms no profession asks more of its members than the profession of arms as we state in our airman s creed we have answered our nation s call it is a

up in arms research professional news - Jul 19 2021

als rediscovering the profession of arms air force display - Sep 01 2022

web institutional boundaries in canada the profession of arms is embedded in the institution of the canadian forces and strongly influenced by history political arrangements

the warrior ethos defining our profession of arms - Nov 03 2022

web america s military a profession of arms the cjcs leads our profossion of arms he is the steward of our military profession and with the joint chiefs is the keeper of our values

the australian profession of arms the forge - Apr 27 2022

web january 9 2011 the profession of arms what is it the secretary of the army and the chief of staff of the army csa have directed a review starting in january 2011 of the

what does profession of arms mean definitions net - Oct 22 2021

web 20 hours ago nov 15 2023 5 00am the australian arm of allen overy risks losing trust with clients and the public if it stays silent on the cyberattack the international legal

mastering the profession of arms part i the enduring - Jul 11 2023

web the profession of arms 2 5 military service is a profession men and women in the armed forces are professional people the concept of professionalism is important

an army white paper the profession of arms - Sep 13 2023

web among all professions our calling the profession of arms is unique because of the lethality of our weapons and our operations soldiers are tasked to do many things

allen overy risks losing trust if it stays silent on cyberattack - Sep 20 2021

web nov 6 2023 blizzard announced wow classic season of discovery at blizzcon 2023 revealing that the new season will have a rune engraving mechanic unlocked from

what defines the profession of arms **australian army** - Aug 12 2023

web 14 hours ago militaries are designed to prosecute wars this is the trait that differentiates the profession of arms from all other professions the state sanctioned

a profession of arms national defense university - Apr 08 2023

web abstract this chapter reviews the unique causations and contingencies influencing leadership in military contexts and evaluates how the context influences individual

the profession of arms national defense university press - Oct 14 2023

web apr 17 2017 the most basic task of the profession of arms is the armed defense of the society its territory population and vital interests in its most elemental sense the profession of arms is all about fighting and all about war

purpose af - Jan 25 2022

web apr 21 2021 the profession of arms implements several specific characteristics that deserve attention first of all this profession is unique the profession of arms is more

all class and role combinations in wow classic season of - Aug 20 2021

web nov 10 2023 however sometimes it is important to take a step back and consider some of the amazing contributions that uk research is making both nationally and internationally

cove competition 2023 combined arms in the army of 2045 - Nov 22 2021

web what does profession of arms mean information and translations of profession of arms in the most comprehensive dictionary definitions resource on the web login

modeling of a reinforced concrete beam subjected to impact vibration - Nov 12 2022

web a 3d finite element fe analysis technique using abaqus is chosen to explore the dynamic behavior of a beam under impact load a beam for which the impact dynamic test was conducted by kishi 2004 is selected to develop a solid element fe

model

23 3 1 beam modeling overview washington university in st - Feb 15 2023

web distance between gross changes in cross section or wavelength of the highest vibration mode of interest in abaqus a beam element is a one dimensional line element in three dimensional space or in the x yplane that has stiffness associated with deformation of the line the beam s axis

modeling of a reinforced concrete beam subjected to impact vibration - May 18 2023

web feb 1 2014 modeling of a reinforced concrete beam subjected to impact vibration using abaqus authors ali ahmed bangladesh university of business and technology abstract a 3d finite element fe analysis

vibration analysis of a cracked i beam subjected to periodic load - May 06 2022

web dec 13 2019 the lateral vibration of cracked isotropic thick beams is investigated generally the analysis of thick beam based on line elements can be undertaken using either timoshenko beam theory or a

abaqus for vibration - Jun 07 2022

web vibration finite element analysis of a cantilever beam 3ds forced vibration imechanica abaqus for vibration kerkin de 10 abaqus vibrations tutorial 1 physics amp mathematics random vibration test for brake shield and fatigue life random vibration test for brake shield and fatigue life 10 3 example vibration of a piping

abaqus fea cantilever beam vibration natural frequency and - Oct 23 2023

web mar 9 2021 abaqus fea cantilever beam vibration natural frequency and vibration mode cantilever beam vibration analysis 2d 3d problem using beam elements quadratic line type b22 2d

free and forced vibration analysis in abaqus based on the hindawi - Apr 17 2023

web dec 31 2021 we present the main procedures of interacting with abaqus updating amatrix and rhs defining the uel element and solving the stiffness and mass matrices through eigenvalue decomposition several benchmark problems of free and forced vibration are solved to validate the proposed implementation

forced periodic vibration in abaqus youtube - Mar 16 2023

web apr 14 2018 in the video you can learn something about periodic excitation in abaqus for a beam simply supported in both ends more more abaqus tutorials random

[vibration of cantilever beam in abaqus stage gapinc](#) - Mar 04 2022

web free and forced vibrations of cantilever beams with viscous damping dynamics of vibrations resonant mems free vibrations of beams and frames vibration suppression of rotating beams through piezoelectric shunt circuits development and application of nonlinear dissipative device in structural vibration control journal of vibration testing

vibration analysis of abaqus youtube - Aug 21 2023

web feb 29 2012 vibration analysis of abaqus abaqus tutorial book abaqus for engineer a practical tutorial book 2019 sites google com view bw engineering re

choosing a beam element massachusetts institute of technology - Dec 13 2022

web beam elements in abaqus are named as follows for example b21h is a planar beam that uses linear interpolation and a hybrid formulation euler bernoulli slender beams euler bernoulli beams b23 b23h b33 and b33h are available only in abaqus standard

vibration course project siavash emami - Jul 08 2022

web sep 17 2022 vibration course project last updated on sep 17 2022 sixth mode shape of the beam visualized in abaqus objective a cantilever beam must be analyzed to extract natural frequencies of it and determine how it behaves if a mass was added to it

vibration modelling of composite beam in abaqus introduction to abaqus - Sep 10 2022

web dec 25 2021 a composite beam is a construction element typically consisting of a reinforced concrete slab attached to and supported by profiled steel beams composite be

about beam modeling massachusetts institute of technology - Jul 20 2023

web in abaqus a beam element is a one dimensional line element in three dimensional space or in the x y plane that has stiffness associated with deformation of the line the beam s axis these deformations consist of axial stretch curvature change bending and

selecting beam elements massachusetts institute of technology - Aug 09 2022

web the euler bernoulli cubic beams b23 b33 available in abaqus standard are very accurate for simulations that include distributed loading such as dynamic vibration analyses structures with open thin walled cross sections should be modeled with the elements that use open section warping theory b31os b32os available in

4 5 3 test 5t deep simply supported beam transient forced vibration - Jan 14 2023

web a coarse mesh and a fine mesh are tested in the abaqus explicit analyses forcing function suddenly applied step load transverse to the beam 1 mn m over whole length of beam damping 2 2 of critical damping in the dominant first mode with analytical frequency value 42 650 hz or 267 98 sec 1

abaqus fea cantilever beam vibration natural frequency and - Sep 22 2023

web mar 11 2020 share 2 2k views 3 years ago abaqus cantilever beam vibration analysis 3d problem using brick elements linear hexahedron type c3d8r basic guide for how to analyze natural frequency and

abaqus cae ver 6 12 vibrations tutorial problem - Jun 19 2023

web d assign the beam orientation by using the assign beam orientation icon select the entire structure and click on done in

the prompt region 9 expand the assembly node in the model tree and then double click on instances a

pdf free and forced vibration analysis in abaqus based on - Oct 11 2022

web dec 31 2021 we present the main procedures of interacting with abaqus updating amatrnx and rhs defining the uel element and solving the stiffness and mass matrices through eigenvalue decomposition

how to apply external vibrations in abaqus researchgate - Apr 05 2022

web then in the load section you can update the amplitude and implement that where you want that vibration to take place hope it helps if you know the data set of the external vibration then you