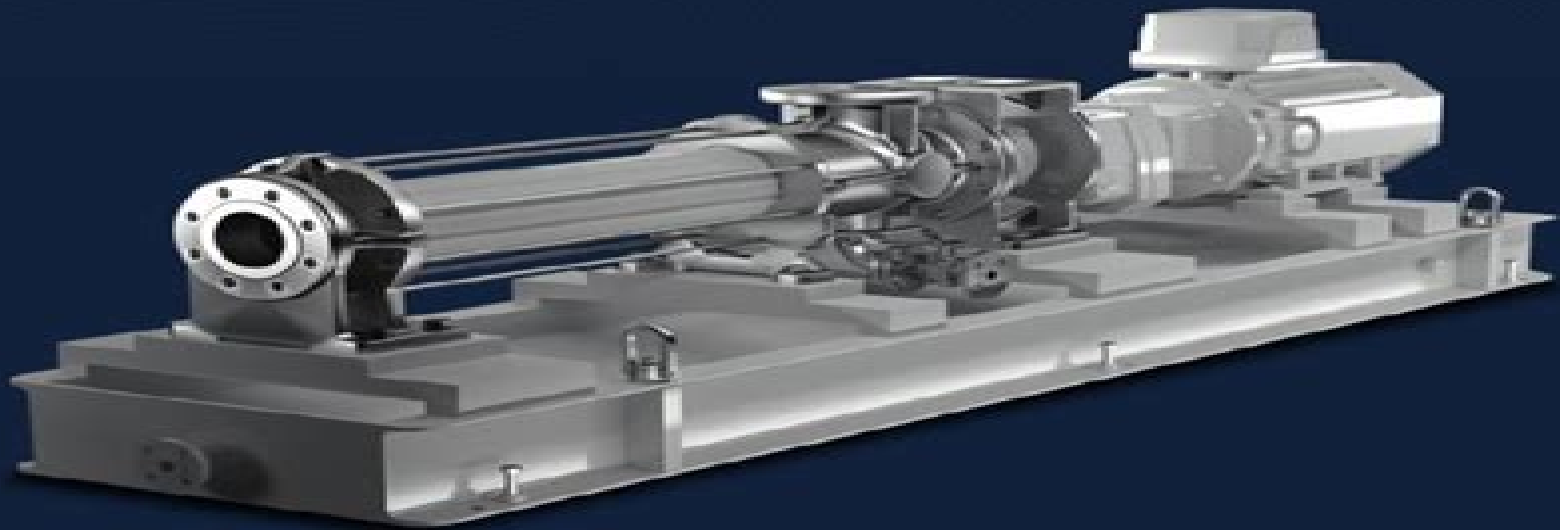


**SEEPEX.**  
ALL THINGS FLOW

# **TO EXACTING STANDARDS**

## **PRODUCT GROUP N**

### **BNA RANGE, API 676**



**BNA**

# Api 676 3rd Edition

**Institution of Mechanical Engineers  
(Great Britain)**



### **Api 676 3rd Edition:**

*An Applied Guide to Process and Plant Design* Sean Moran, 2019-06-12 *An Applied Guide to Process and Plant Design* 2nd edition is a guide to process plant design for both students and professional engineers. The book covers plant layout and the use of spreadsheet programs and key drawings produced by professional engineers as aids to design subjects that are usually learned on the job rather than in education. You will learn how to produce smarter plant design through the use of computer tools including Excel and AutoCAD. What If Analysis, statistical tools, and Visual Basic for more complex problems. The book also includes a wealth of selection tables covering the key aspects of professional plant design which engineering students and early career engineers tend to find most challenging. Professor Moran draws on over 20 years experience in process design to create an essential foundational book ideal for those who are new to process design compliant with both professional practice and the IChemE degree accreditation guidelines. Includes new and expanded content including illustrative case studies and practical examples. Explains how to deliver a process design that meets both business and safety criteria. Covers plant layout and the use of spreadsheet programs and key drawings as aids to design. Includes a comprehensive set of selection tables covering aspects of professional plant design which early career designers find most challenging.

**Fire Pump Arrangements at Industrial Facilities** Dennis P. Nolan, 2017-05-22 *Fire Pump Arrangements at Industrial Facilities* Third Edition delivers a practical reference from an author with a successful professional career in fire protection and loss prevention engineering in the oil and gas industry. While most regulatory standards are left to interpretation and try to cover multiple industries in one location, this book focuses on the equipment standards and operations specific to the petroleum industry covering quality controls, pump drivers, and scheduled maintenance and audits so the equipment remains in safety compliance. Enhanced with new sections on human factors, case studies for modeling fire accidents, and a look at recent events that have further shaped the safety and testing of fire pumps, the book provides the engineer and manager with a critical oil and gas resource for every aspect of firewater pumps. Remains the go-to reference for loss prevention specialists and fire engineering specific to the oil and gas industry. Enhanced with new sections on quality audits and new case studies that evaluate operational issues and applications. Fills in the practical hands-on information gap not covered in the regulatory standards.

**JavaScript The Complete Reference 3rd Edition** Thomas A. Powell, Fritz Schneider, 2012-07-22 The essential JavaScript resource, fully updated. Design, debug, and publish high performance web pages and applications using tested techniques and best practices from expert developers. The all new edition of this comprehensive guide has been thoroughly revised and expanded to cover the latest JavaScript features, tools, and programming methods. *JavaScript The Complete Reference* Third Edition provides illustrative examples, line-by-line code samples, and practical development advice from the core of the language to the various standard and emerging APIs supported by modern web browsers. This in-depth resource covers everything you need to know whether you're trying to

understand the fundamentals of weak typing in JavaScript reduce your confusion over closures or perform common tasks like form validation or Ajax calls Explore core JavaScript syntax and data types Investigate often confusing concepts such as weak typing and closures Use object oriented programming the JavaScript way See what changes come from ECMAScript 5 Perform dynamic content updates using DOM methods Handle user generated events with modern event models Modernize form handling with HTML5 and JavaScript Use the XMLHttpRequest object to create Ajax applications Control animation and multimedia content with JavaScript Generate bitmap graphics with the Canvas API Learn methods to handle the challenges of cross browser coding Discover defensive development and error handling

*SQL The Complete Reference, 3rd Edition* James R. Groff, Paul N. Weinberg, Andy Opper, 2008-10-01 The Definitive Guide to SQL Get comprehensive coverage of every aspect of SQL from three leading industry experts Revised with coverage of the latest RDBMS software versions this one stop guide explains how to build populate and administer high performance databases and develop robust SQL based applications SQL The Complete Reference Third Edition shows you how to work with SQL commands and statements set up relational databases load and modify database objects perform powerful queries tune performance and implement reliable security policies Learn how to employ DDL statements and APIs integrate XML and Java scripts use SQL objects build web servers handle remote access and perform distributed transactions Techniques for managing in memory stream and embedded databases that run on today s mobile handheld and wireless devices are included in this in depth volume Build SQL based relational databases and applications Create load and modify database objects using SQL Construct and execute simple multitable and summary queries Implement security measures with authentication privileges roles and views Handle database optimization backup recovery and replication Work with stored procedures functions extensions triggers and objects Extend functionality using APIs dynamic SQL and embedded SQL Explore advanced topics such as DBMS transactions locking mechanisms materialized views and two phase commit protocol Understand the latest market trends and the future of SQL

**Fixed-Bed Reactor Design and Diagnostics** Howard F. Rase, 2013-10-22 Fixed Bed Reactor Design and Diagnostics Gas Phase Reactions presents the essential theoretical and conceptual background of gaseous reactions catalyzed by solid catalysts in fixed beds This book intends to provide recommendations to professionals who seek for modeling scale up and diagnostics of fixed bed reactors The text is divided into three parts Part I provides the conceptual background and relevant theories Part II presents recommended mathematical models scale up procedures and diagnostic methods Part III gives a number of practical examples The topics that are specifically discussed include heterogeneous catalysis and kinetics general tubular reactor model and general diagnostics for fixed bed reactors Engineers and professionals working with fixed bed reactors will find the book highly informative

*Scala for Machine Learning* Patrick R. Nicolas, 2017-09-26 Leverage Scala and Machine Learning to study and construct systems that can learn from data About This Book Explore a broad variety of data processing machine learning and genetic algorithms through diagrams

mathematical formulation and updated source code in Scala Take your expertise in Scala programming to the next level by creating and customizing AI applications Experiment with different techniques and evaluate their benefits and limitations using real world applications in a tutorial style Who This Book Is For If you re a data scientist or a data analyst with a fundamental knowledge of Scala who wants to learn and implement various Machine learning techniques this book is for you All you need is a good understanding of the Scala programming language a basic knowledge of statistics a keen interest in Big Data processing and this book What You Will Learn Build dynamic workflows for scientific computing Leverage open source libraries to extract patterns from time series Write your own classification clustering or evolutionary algorithm Perform relative performance tuning and evaluation of Spark Master probabilistic models for sequential data Experiment with advanced techniques such as regularization and kernelization Dive into neural networks and some deep learning architecture Apply some basic multiarm bandit algorithms Solve big data problems with Scala parallel collections Akka actors and Apache Spark clusters Apply key learning strategies to a technical analysis of financial markets In Detail The discovery of information through data clustering and classification is becoming a key differentiator for competitive organizations Machine learning applications are everywhere from self driving cars engineering design logistics manufacturing and trading strategies to detection of genetic anomalies The book is your one stop guide that introduces you to the functional capabilities of the Scala programming language that are critical to the creation of machine learning algorithms such as dependency injection and implicits You start by learning data preprocessing and filtering techniques Following this you ll move on to unsupervised learning techniques such as clustering and dimension reduction followed by probabilistic graphical models such as Naive Bayes hidden Markov models and Monte Carlo inference Further it covers the discriminative algorithms such as linear logistic regression with regularization kernelization support vector machines neural networks and deep learning You ll move on to evolutionary computing multibandit algorithms and reinforcement learning Finally the book includes a comprehensive overview of parallel computing in Scala and Akka followed by a description of Apache Spark and its ML library With updated codes based on the latest version of Scala and comprehensive examples this book will ensure that you have more than just a solid fundamental knowledge in machine learning with Scala Style and approach This book is designed as a tutorial with hands on exercises using technical analysis of financial markets and corporate data The approach of each chapter is such that it allows you to understand key concepts easily

**Publications, Programs & Services** American Petroleum Institute,2005 **Chemical Engineering Progress** ,2007 *Toxicology of Skin* Howard I. Maibach,2001-03-15 Toxic injury to the skin in the general population and particularly in western populations is on the increase This is partly due to the expanding number of natural and man made chemicals present in our everyday environment The need for a thorough understanding of the skin and the mechanisms of toxicity therein has never been more pressing Th Pumps for Nuclear Power Plant ,1974 **Proceedings of the Institution of Mechanical Engineers** ,1944

**Journal** Institution of Mechanical Engineers (Great Britain),1943      **Forthcoming Books** Rose Army,2002-04  
*Medical Microbiology, Infectious Diseases, Parasitology* ,1980      **The Oil and Gas Journal** ,1950      The British  
National Bibliography Arthur James Wells,2003      *Oil & Gas Journal* ,1950      **Books in Print Supplement** ,2002  
**School Shop** ,1980      **Encyclopedia of Business Information Sources** James Woy,2001-09

## Reviewing **Api 676 3rd Edition**: Unlocking the Spellbinding Force of Linguistics

In a fast-paced world fueled by information and interconnectivity, the spellbinding force of linguistics has acquired newfound prominence. Its capacity to evoke emotions, stimulate contemplation, and stimulate metamorphosis is truly astonishing. Within the pages of "**Api 676 3rd Edition**," an enthralling opus penned by a highly acclaimed wordsmith, readers set about an immersive expedition to unravel the intricate significance of language and its indelible imprint on our lives. Throughout this assessment, we shall delve to the book is central motifs, appraise its distinctive narrative style, and gauge its overarching influence on the minds of its readers.

[https://py.bijouxmedusa.com/results/virtual-library/default.aspx/machine\\_learning\\_basics\\_case\\_study\\_for\\_creators\\_83\\_1997\\_machine\\_learning.pdf](https://py.bijouxmedusa.com/results/virtual-library/default.aspx/machine_learning_basics_case_study_for_creators_83_1997_machine_learning.pdf)

### **Table of Contents Api 676 3rd Edition**

1. Understanding the eBook Api 676 3rd Edition
  - The Rise of Digital Reading Api 676 3rd Edition
  - Advantages of eBooks Over Traditional Books
2. Identifying Api 676 3rd Edition
  - Exploring Different Genres
  - Considering Fiction vs. Non-Fiction
  - Determining Your Reading Goals
3. Choosing the Right eBook Platform
  - Popular eBook Platforms
  - Features to Look for in an Api 676 3rd Edition
  - User-Friendly Interface
4. Exploring eBook Recommendations from Api 676 3rd Edition
  - Personalized Recommendations
  - Api 676 3rd Edition User Reviews and Ratings

- Api 676 3rd Edition and Bestseller Lists
- 5. Accessing Api 676 3rd Edition Free and Paid eBooks
  - Api 676 3rd Edition Public Domain eBooks
  - Api 676 3rd Edition eBook Subscription Services
  - Api 676 3rd Edition Budget-Friendly Options
- 6. Navigating Api 676 3rd Edition eBook Formats
  - ePub, PDF, MOBI, and More
  - Api 676 3rd Edition Compatibility with Devices
  - Api 676 3rd Edition Enhanced eBook Features
- 7. Enhancing Your Reading Experience
  - Adjustable Fonts and Text Sizes of Api 676 3rd Edition
  - Highlighting and Note-Taking Api 676 3rd Edition
  - Interactive Elements Api 676 3rd Edition
- 8. Staying Engaged with Api 676 3rd Edition
  - Joining Online Reading Communities
  - Participating in Virtual Book Clubs
  - Following Authors and Publishers Api 676 3rd Edition
- 9. Balancing eBooks and Physical Books Api 676 3rd Edition
  - Benefits of a Digital Library
  - Creating a Diverse Reading Collection Api 676 3rd Edition
- 10. Overcoming Reading Challenges
  - Dealing with Digital Eye Strain
  - Minimizing Distractions
  - Managing Screen Time
- 11. Cultivating a Reading Routine Api 676 3rd Edition
  - Setting Reading Goals Api 676 3rd Edition
  - Carving Out Dedicated Reading Time
- 12. Sourcing Reliable Information of Api 676 3rd Edition
  - Fact-Checking eBook Content of Api 676 3rd Edition
  - Distinguishing Credible Sources

13. Promoting Lifelong Learning
  - Utilizing eBooks for Skill Development
  - Exploring Educational eBooks
14. Embracing eBook Trends
  - Integration of Multimedia Elements
  - Interactive and Gamified eBooks

### **Api 676 3rd Edition Introduction**

In today's digital age, the availability of Api 676 3rd Edition books and manuals for download has revolutionized the way we access information. Gone are the days of physically flipping through pages and carrying heavy textbooks or manuals. With just a few clicks, we can now access a wealth of knowledge from the comfort of our own homes or on the go. This article will explore the advantages of Api 676 3rd Edition books and manuals for download, along with some popular platforms that offer these resources. One of the significant advantages of Api 676 3rd Edition books and manuals for download is the cost-saving aspect. Traditional books and manuals can be costly, especially if you need to purchase several of them for educational or professional purposes. By accessing Api 676 3rd Edition versions, you eliminate the need to spend money on physical copies. This not only saves you money but also reduces the environmental impact associated with book production and transportation. Furthermore, Api 676 3rd Edition books and manuals for download are incredibly convenient. With just a computer or smartphone and an internet connection, you can access a vast library of resources on any subject imaginable. Whether you're a student looking for textbooks, a professional seeking industry-specific manuals, or someone interested in self-improvement, these digital resources provide an efficient and accessible means of acquiring knowledge. Moreover, PDF books and manuals offer a range of benefits compared to other digital formats. PDF files are designed to retain their formatting regardless of the device used to open them. This ensures that the content appears exactly as intended by the author, with no loss of formatting or missing graphics. Additionally, PDF files can be easily annotated, bookmarked, and searched for specific terms, making them highly practical for studying or referencing. When it comes to accessing Api 676 3rd Edition books and manuals, several platforms offer an extensive collection of resources. One such platform is Project Gutenberg, a nonprofit organization that provides over 60,000 free eBooks. These books are primarily in the public domain, meaning they can be freely distributed and downloaded. Project Gutenberg offers a wide range of classic literature, making it an excellent resource for literature enthusiasts. Another popular platform for Api 676 3rd Edition books and manuals is Open Library. Open Library is an initiative of the Internet Archive, a non-profit organization dedicated to digitizing cultural artifacts and making them accessible to the public. Open Library hosts millions of books, including both public domain works

and contemporary titles. It also allows users to borrow digital copies of certain books for a limited period, similar to a library lending system. Additionally, many universities and educational institutions have their own digital libraries that provide free access to PDF books and manuals. These libraries often offer academic texts, research papers, and technical manuals, making them invaluable resources for students and researchers. Some notable examples include MIT OpenCourseWare, which offers free access to course materials from the Massachusetts Institute of Technology, and the Digital Public Library of America, which provides a vast collection of digitized books and historical documents. In conclusion, Api 676 3rd Edition books and manuals for download have transformed the way we access information. They provide a cost-effective and convenient means of acquiring knowledge, offering the ability to access a vast library of resources at our fingertips. With platforms like Project Gutenberg, Open Library, and various digital libraries offered by educational institutions, we have access to an ever-expanding collection of books and manuals. Whether for educational, professional, or personal purposes, these digital resources serve as valuable tools for continuous learning and self-improvement. So why not take advantage of the vast world of Api 676 3rd Edition books and manuals for download and embark on your journey of knowledge?

### **FAQs About Api 676 3rd Edition Books**

How do I know which eBook platform is the best for me? Finding the best eBook platform depends on your reading preferences and device compatibility. Research different platforms, read user reviews, and explore their features before making a choice. Are free eBooks of good quality? Yes, many reputable platforms offer high-quality free eBooks, including classics and public domain works. However, make sure to verify the source to ensure the eBook credibility. Can I read eBooks without an eReader? Absolutely! Most eBook platforms offer webbased readers or mobile apps that allow you to read eBooks on your computer, tablet, or smartphone. How do I avoid digital eye strain while reading eBooks? To prevent digital eye strain, take regular breaks, adjust the font size and background color, and ensure proper lighting while reading eBooks. What the advantage of interactive eBooks? Interactive eBooks incorporate multimedia elements, quizzes, and activities, enhancing the reader engagement and providing a more immersive learning experience. Api 676 3rd Edition is one of the best book in our library for free trial. We provide copy of Api 676 3rd Edition in digital format, so the resources that you find are reliable. There are also many Ebooks of related with Api 676 3rd Edition. Where to download Api 676 3rd Edition online for free? Are you looking for Api 676 3rd Edition PDF? This is definitely going to save you time and cash in something you should think about. If you trying to find then search around for online. Without a doubt there are numerous these available and many of them have the freedom. However without doubt you receive whatever you purchase. An alternate way to get ideas is always to check another Api 676 3rd Edition. This method for see exactly what may be included and adopt these

ideas to your book. This site will almost certainly help you save time and effort, money and stress. If you are looking for free books then you really should consider finding to assist you try this. Several of Api 676 3rd Edition are for sale to free while some are payable. If you arent sure if the books you would like to download works with for usage along with your computer, it is possible to download free trials. The free guides make it easy for someone to free access online library for download books to your device. You can get free download on free trial for lots of books categories. Our library is the biggest of these that have literally hundreds of thousands of different products categories represented. You will also see that there are specific sites catered to different product types or categories, brands or niches related with Api 676 3rd Edition. So depending on what exactly you are searching, you will be able to choose e books to suit your own need. Need to access completely for Campbell Biology Seventh Edition book? Access Ebook without any digging. And by having access to our ebook online or by storing it on your computer, you have convenient answers with Api 676 3rd Edition To get started finding Api 676 3rd Edition, you are right to find our website which has a comprehensive collection of books online. Our library is the biggest of these that have literally hundreds of thousands of different products represented. You will also see that there are specific sites catered to different categories or niches related with Api 676 3rd Edition So depending on what exactly you are searching, you will be able to choose ebook to suit your own need. Thank you for reading Api 676 3rd Edition. Maybe you have knowledge that, people have search numerous times for their favorite readings like this Api 676 3rd Edition, but end up in harmful downloads. Rather than reading a good book with a cup of coffee in the afternoon, instead they juggled with some harmful bugs inside their laptop. Api 676 3rd Edition is available in our book collection an online access to it is set as public so you can download it instantly. Our digital library spans in multiple locations, allowing you to get the most less latency time to download any of our books like this one. Merely said, Api 676 3rd Edition is universally compatible with any devices to read.

### **Find Api 676 3rd Edition :**

[machine learning basics case study for creators 83-1997 machine learning case study for small business 83-37 chatbot development checklist tutorial for creators 83-218 machine learning basics apps USA 83-2241 creators 83-1617 freelancing online case study USA 83-1979 freelancing development case study for small business 83-2453 chatbot development small business 83-431 healthy recipes tutorial for startups 83-1298 home for creators 83-404 cloud computing examples for entrepreneurs 83-759 resume writing best practices for small business 83-572 resume writing](#)

**roadmap America 83-789 VPN services roadmap for creators 83-1991 VPN**

*remote jobs ideas for creators 83-1730 remote jobs ideas for small*

**chatbot development blueprint United States 83-1151 chatbot development**

*marketplace step by step United States 83-2895 NFT marketplace step by*

*for creators 83-1389 crypto investing explained for small business*

*marketing strategies for creators 83-2064 AI marketing strategies for*

*entrepreneurs 83-1848 startup funding guide for startups 83-2360 startup*

**Api 676 3rd Edition :**

ITIL Implementation | IT Process Wiki Apr 3, 2022 — ITIL implementation projects are characterized by a typical course of action, independent of the size of the company and its core business. ITIL Implementation: Roadmap, Scenarios, Mistakes Sep 11, 2023 — ITIL Implementation is all about making gradual, long-term changes. The process of implementation becomes easier if there is an ITIL roadmap ... Plan for a successful ITIL implementation Feb 24, 2020 — ITIL implementation requires in-house training and education to properly prepare IT staff for the upcoming process changes. Open communication ... Plan for a successful ITIL implementation Jun 30, 2022 — Implementing ITIL involves reframing the way an organization works and involves changes within its people, processes, and technology. Not only ... How to implement ITIL How to implement ITIL · 1) Getting started · 2) Service Definition · 3) Introducing ITIL roles and owners · 4) Gap analysis · 5) Planning of new processes · 6) ... How to Implement an ITIL Process in 9 Easy Steps Aug 22, 2023 — A complete ITIL process implementation guide. Discover best practices, challenges, and gain a deeper understanding of this framework. ITIL IMPLEMENTATION AND PROCESS GUIDE The Information Technology Infrastructure Library (ITIL) is a set of concepts and practices for Information Technology Services. Management (ITSM) ... 7 Simple Steps to Implement ITIL in your Organization May 24, 2023 — 1. Building Capability, Understand ITIL and go for Foundation Certification: If you want to implement ITIL methodology in your organization or ... Building a Successful ITIL Implementation Strategy The first crucial step in building a successful ITIL implementation strategy is to take a comprehensive look at your organization's existing IT ... You've Completed ITIL Foundation: Now How to Implement It An initiative to implement ITSM and the ITIL framework of best practices must be part of your overall IT strategy. An ITIL initiative should provide a clear ... Compact Bilevel System Model 1700 Patient Operating ... The Scope of this Manual. This manual will show you how to use the Respiroics Tranquility Bilevel PAP system. This system provides positive pressure to the. Respiroics Tranquility Bilevel 1700 Operating Instructions ... View and Download Respiroics Tranquility Bilevel 1700 operating instructions manual online. Compact Bilevel System. Tranquility Bilevel 1700 medical ... Respiroics Tranquility Bilevel 1700 Manuals Respiroics Tranquility

Bilevel 1700 Pdf User Manuals. View online or download Respiroics Tranquility Bilevel 1700 Operating Instructions Manual. Adjusting pressures Tranquility Bilevel 1700? Mar 28, 2011 — Lefty got the PM I sent and should have the service manual (with ALL the instructions) by now. Den. (5) REMstar Autos w/C-Flex & ... New Clinician Manuals NOW AVAILABLE - Printable Version ... Service manual for the following machines: Respiroics Tranquility Bi-Level To request a PDF manual via email, simply follow the directions in Section Three ... Adjusting your machine with a Clinician Setup Manual Sep 5, 2023 — World's largest and most helpful CPAP and Sleep Apnea forum. Advice, setup manuals, OSCAR software. Make pressure changes and adjustments ... RESPIRONICS BILEVEL TRANQUILITY 1700 CPAP Delivers two different pressure levels, IPAP and EPAP, for more comfortable therapy. The unit features a Compliance Monitor that records when the unit is on or ... Respiratory Devices Product Manual - PDF Free Download BiPAP Pro Bi-Flex USER MANUAL 2012 Koninklijke ... Tranquility Quest Plus is a medical device prescribed by a physician to assist breathing. Respiroics BiPAP Vision Service Manual Downloadable PDF Manual for Respiroics BiPAP Vision Service Manual. Product and solutions catalog Philips Respiroics revolutionized sleep therapy by introducing bi-level positive airway pressure technology to treat obstructive sleep apnea. Amazon.com: Astrology/Karma & Transformation 2nd Ed This insightful and original book focuses on the understanding and use of astrology as a tool for spiritual and psychological growth. Astrology, Karma & Transformation: The Inner Dimensions ... This book takes a positive, helpful view of the topic of karma as it can be understood through astrology. There is a particular focus on the outer planets, ... Astrology, Karma & Transformation: The Inner Dimensions ... Jan 1, 1978 — This insightful and original book focuses on the understanding and use of astrology as a tool for spiritual and psychological growth. Astrology, Karma & Transformation by Stephen Arroyo, Pacia ... The chart shows what we are now because of what we have thought and done in the past. These age-old, deeply-entrenched patterns are not easily changed. Let this ... Astrology, Karma and Transformation: The Inner ... Astrology, Karma and Transformation: The Inner Dimensions of the Birth Chart by Arroyo, Stephen - ISBN 10: 0916360032 - ISBN 13: 9780916360030 - CRCS ... Astrology/Karma & Transformation 2nd Ed This insightful and original book focuses on the understanding and use of astrology as a tool for spiritual and psychological growth. Astrology, Karma & Transformation: The Inner Dimensions ... This insightful and original book focuses on the understanding and use of astrology as a tool for spiritual and psychological growth. Stephen Arroyo Astrology/Karma & Transformation 2nd Ed Stephen Arroyo (born October 6, 1946 in Kansas City, Missouri) is an American author and astrologer. Arroyo has written seven books on psychologically ... Astrology/Karma & Transformation 2nd Ed (Paperback) Nov 1, 1992 — This insightful and original book focuses on the understanding and use of astrology as a tool for spiritual and psychological growth. In ... Astrology, Karma & Transformation: The Inner Dimensions ... Arroyo has written seven books on psychologically oriented astrology which outline his theory that the individual's experience of the Solar System's impacts on ...