

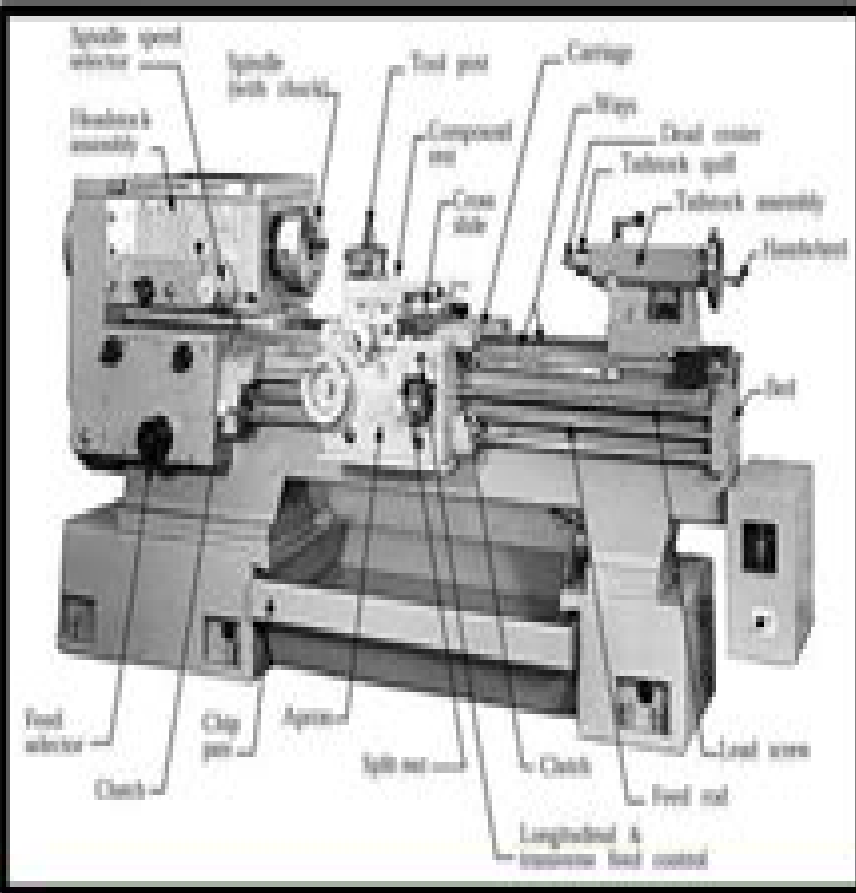
# LATHE MACHINE SPECIAL MCQ

## SUB-LATHE PARTS

### Top 20 MCQ

### Class- 01

BARC || ISRO || NFC || NPCIL



जो Questions हर बार Exam में आता है

# Objective Questions Answers In Lathe Machine

**Tobias Bleicker**



## **Objective Questions Answers In Lathe Machine:**

This Captivating World of Kindle Books: A Thorough Guide Revealing the Advantages of Kindle Books: A World of Ease and Flexibility E-book books, with their inherent mobility and simplicity of availability, have liberated readers from the limitations of hardcopy books. Gone are the days of carrying cumbersome novels or meticulously searching for particular titles in bookstores. Kindle devices, stylish and lightweight, effortlessly store an wide library of books, allowing readers to immerse in their preferred reads anytime, everywhere. Whether commuting on a bustling train, lounging on a sun-kissed beach, or simply cozying up in bed, Kindle books provide an unparalleled level of ease. A Reading World Unfolded: Discovering the Wide Array of E-book Objective Questions Answers In Lathe Machine Objective Questions Answers In Lathe Machine The Kindle Shop, a digital treasure trove of literary gems, boasts an wide collection of books spanning varied genres, catering to every readers preference and preference. From captivating fiction and thought-provoking non-fiction to timeless classics and modern bestsellers, the Kindle Shop offers an unparalleled abundance of titles to explore. Whether seeking escape through immersive tales of imagination and exploration, delving into the depths of historical narratives, or expanding ones understanding with insightful works of science and philosophical, the Kindle Store provides a gateway to a literary universe brimming with limitless possibilities. A Revolutionary Force in the Literary Landscape: The Persistent Impact of E-book Books Objective Questions Answers In Lathe Machine The advent of Kindle books has certainly reshaped the literary landscape, introducing a model shift in the way books are published, disseminated, and read. Traditional publishing houses have embraced the digital revolution, adapting their approaches to accommodate the growing demand for e-books. This has led to a surge in the availability of Kindle titles, ensuring that readers have entry to a vast array of literary works at their fingertips. Moreover, Kindle books have democratized entry to literature, breaking down geographical barriers and providing readers worldwide with equal opportunities to engage with the written word. Irrespective of their place or socioeconomic background, individuals can now immerse themselves in the captivating world of literature, fostering a global community of readers. Conclusion: Embracing the E-book Experience Objective Questions Answers In Lathe Machine E-book books Objective Questions Answers In Lathe Machine, with their inherent ease, versatility, and wide array of titles, have certainly transformed the way we encounter literature. They offer readers the freedom to explore the boundless realm of written expression, whenever, everywhere. As we continue to navigate the ever-evolving online landscape, E-book books stand as testament to the lasting power of storytelling, ensuring that the joy of reading remains accessible to all.

[https://py.bijouxmedusa.com/files/book-search/HomePages/Against\\_The\\_Odds\\_An\\_Autobiography\\_James\\_Dyson.pdf](https://py.bijouxmedusa.com/files/book-search/HomePages/Against_The_Odds_An_Autobiography_James_Dyson.pdf)

## **Table of Contents Objective Questions Answers In Lathe Machine**

1. Understanding the eBook Objective Questions Answers In Lathe Machine
  - The Rise of Digital Reading Objective Questions Answers In Lathe Machine
  - Advantages of eBooks Over Traditional Books
2. Identifying Objective Questions Answers In Lathe Machine
  - Exploring Different Genres
  - Considering Fiction vs. Non-Fiction
  - Determining Your Reading Goals
3. Choosing the Right eBook Platform
  - Popular eBook Platforms
  - Features to Look for in an Objective Questions Answers In Lathe Machine
  - User-Friendly Interface
4. Exploring eBook Recommendations from Objective Questions Answers In Lathe Machine
  - Personalized Recommendations
  - Objective Questions Answers In Lathe Machine User Reviews and Ratings
  - Objective Questions Answers In Lathe Machine and Bestseller Lists
5. Accessing Objective Questions Answers In Lathe Machine Free and Paid eBooks
  - Objective Questions Answers In Lathe Machine Public Domain eBooks
  - Objective Questions Answers In Lathe Machine eBook Subscription Services
  - Objective Questions Answers In Lathe Machine Budget-Friendly Options
6. Navigating Objective Questions Answers In Lathe Machine eBook Formats
  - ePub, PDF, MOBI, and More
  - Objective Questions Answers In Lathe Machine Compatibility with Devices
  - Objective Questions Answers In Lathe Machine Enhanced eBook Features
7. Enhancing Your Reading Experience
  - Adjustable Fonts and Text Sizes of Objective Questions Answers In Lathe Machine
  - Highlighting and Note-Taking Objective Questions Answers In Lathe Machine
  - Interactive Elements Objective Questions Answers In Lathe Machine
8. Staying Engaged with Objective Questions Answers In Lathe Machine

- Joining Online Reading Communities
  - Participating in Virtual Book Clubs
  - Following Authors and Publishers Objective Questions Answers In Lathe Machine
9. Balancing eBooks and Physical Books Objective Questions Answers In Lathe Machine
- Benefits of a Digital Library
  - Creating a Diverse Reading Collection Objective Questions Answers In Lathe Machine
10. Overcoming Reading Challenges
- Dealing with Digital Eye Strain
  - Minimizing Distractions
  - Managing Screen Time
11. Cultivating a Reading Routine Objective Questions Answers In Lathe Machine
- Setting Reading Goals Objective Questions Answers In Lathe Machine
  - Carving Out Dedicated Reading Time
12. Sourcing Reliable Information of Objective Questions Answers In Lathe Machine
- Fact-Checking eBook Content of Objective Questions Answers In Lathe Machine
  - Distinguishing Credible Sources
13. Promoting Lifelong Learning
- Utilizing eBooks for Skill Development
  - Exploring Educational eBooks
14. Embracing eBook Trends
- Integration of Multimedia Elements
  - Interactive and Gamified eBooks

### Objective Questions Answers In Lathe Machine Introduction

In the digital age, access to information has become easier than ever before. The ability to download Objective Questions Answers In Lathe Machine has revolutionized the way we consume written content. Whether you are a student looking for course material, an avid reader searching for your next favorite book, or a professional seeking research papers, the option to download Objective Questions Answers In Lathe Machine has opened up a world of possibilities. Downloading Objective Questions Answers In Lathe Machine provides numerous advantages over physical copies of books and documents. Firstly, it is incredibly convenient. Gone are the days of carrying around heavy textbooks or bulky folders filled with papers. With the

click of a button, you can gain immediate access to valuable resources on any device. This convenience allows for efficient studying, researching, and reading on the go. Moreover, the cost-effective nature of downloading Objective Questions Answers In Lathe Machine has democratized knowledge. Traditional books and academic journals can be expensive, making it difficult for individuals with limited financial resources to access information. By offering free PDF downloads, publishers and authors are enabling a wider audience to benefit from their work. This inclusivity promotes equal opportunities for learning and personal growth. There are numerous websites and platforms where individuals can download Objective Questions Answers In Lathe Machine. These websites range from academic databases offering research papers and journals to online libraries with an expansive collection of books from various genres. Many authors and publishers also upload their work to specific websites, granting readers access to their content without any charge. These platforms not only provide access to existing literature but also serve as an excellent platform for undiscovered authors to share their work with the world. However, it is essential to be cautious while downloading Objective Questions Answers In Lathe Machine. Some websites may offer pirated or illegally obtained copies of copyrighted material. Engaging in such activities not only violates copyright laws but also undermines the efforts of authors, publishers, and researchers. To ensure ethical downloading, it is advisable to utilize reputable websites that prioritize the legal distribution of content. When downloading Objective Questions Answers In Lathe Machine, users should also consider the potential security risks associated with online platforms. Malicious actors may exploit vulnerabilities in unprotected websites to distribute malware or steal personal information. To protect themselves, individuals should ensure their devices have reliable antivirus software installed and validate the legitimacy of the websites they are downloading from. In conclusion, the ability to download Objective Questions Answers In Lathe Machine has transformed the way we access information. With the convenience, cost-effectiveness, and accessibility it offers, free PDF downloads have become a popular choice for students, researchers, and book lovers worldwide. However, it is crucial to engage in ethical downloading practices and prioritize personal security when utilizing online platforms. By doing so, individuals can make the most of the vast array of free PDF resources available and embark on a journey of continuous learning and intellectual growth.

### FAQs About Objective Questions Answers In Lathe Machine Books

1. Where can I buy Objective Questions Answers In Lathe Machine books? Bookstores: Physical bookstores like Barnes & Noble, Waterstones, and independent local stores. Online Retailers: Amazon, Book Depository, and various online bookstores offer a wide range of books in physical and digital formats.

2. What are the different book formats available? Hardcover: Sturdy and durable, usually more expensive. Paperback: Cheaper, lighter, and more portable than hardcovers. E-books: Digital books available for e-readers like Kindle or software like Apple Books, Kindle, and Google Play Books.
3. How do I choose a Objective Questions Answers In Lathe Machine book to read? Genres: Consider the genre you enjoy (fiction, non-fiction, mystery, sci-fi, etc.). Recommendations: Ask friends, join book clubs, or explore online reviews and recommendations. Author: If you like a particular author, you might enjoy more of their work.
4. How do I take care of Objective Questions Answers In Lathe Machine books? Storage: Keep them away from direct sunlight and in a dry environment. Handling: Avoid folding pages, use bookmarks, and handle them with clean hands. Cleaning: Gently dust the covers and pages occasionally.
5. Can I borrow books without buying them? Public Libraries: Local libraries offer a wide range of books for borrowing. Book Swaps: Community book exchanges or online platforms where people exchange books.
6. How can I track my reading progress or manage my book collection? Book Tracking Apps: Goodreads, LibraryThing, and Book Catalogue are popular apps for tracking your reading progress and managing book collections. Spreadsheets: You can create your own spreadsheet to track books read, ratings, and other details.
7. What are Objective Questions Answers In Lathe Machine audiobooks, and where can I find them? Audiobooks: Audio recordings of books, perfect for listening while commuting or multitasking. Platforms: Audible, LibriVox, and Google Play Books offer a wide selection of audiobooks.
8. How do I support authors or the book industry? Buy Books: Purchase books from authors or independent bookstores. Reviews: Leave reviews on platforms like Goodreads or Amazon. Promotion: Share your favorite books on social media or recommend them to friends.
9. Are there book clubs or reading communities I can join? Local Clubs: Check for local book clubs in libraries or community centers. Online Communities: Platforms like Goodreads have virtual book clubs and discussion groups.
10. Can I read Objective Questions Answers In Lathe Machine books for free? Public Domain Books: Many classic books are available for free as they're in the public domain. Free E-books: Some websites offer free e-books legally, like Project Gutenberg or Open Library.

### **Find Objective Questions Answers In Lathe Machine :**

**against the odds an autobiography james dyson**

[alexa chung book](#)

~~agile versus traditional a tale of two methodologies~~

~~aliko dangote things you never knew about naija news~~

~~algorithmic trading algorithmic trading strategies building ideas into profitable trading system portfolios~~

~~airbus a320 ata chapter list abcxyzore~~

~~africa toto piano sheet music piano chords~~

~~ak chandra quantum chemistry~~

~~aggregate lte characterizing user equipment emissions~~

~~alles telt groep 5 deel a~~

~~aesthetics and the philosophy of art the analytic tradition an anthology~~

~~airbus a330 manual pdf~~

~~affresco italiano a1 pdf pdfprettyidtfles wordpress~~

~~algebra 1 chapter 7 resource book answers~~

~~alif baa third edition download~~

### **Objective Questions Answers In Lathe Machine :**

Maria de' Medici (1573-1642): una principessa fiorentina ... Title, Maria de' Medici (1573-1642): una principessa fiorentina sul trono di Francia Firenze musei ; Author, Museo degli argenti (Florence, Italy) ; Editors ... Maria de' Medici (1573-1642) : una principessa fiorentina ... by C Caneva · 2005 · Cited by 14 — Maria de' Medici (1573-1642) : una principessa fiorentina sul trono di Francia ... 383 p. : col. ill. Includes bibliographical references (p. 374-383). Catalogue ... Maria de' Medici (1573-1642) : una principessa fiorentina sul ... Maria de' Medici (1573-1642) : una principessa fiorentina sul trono di Francia · Genre: Biography · Physical Description: 1 online resource (383 pages) : color ... Maria De' Medici una principessa Fiorentina sul trono di ... Maria De' Medici (1573-1642) una principessa fiorentina sul trono di Francia ; Autore/i, Caterina Caneva, Francesco Solinas ; Editore, Sillabe, Luogo ; Anno, 2005 ... Maria de' Medici (1573-1642) : una principessa fiorentina ... Maria de' Medici (1573-1642) : una principessa fiorentina sul trono di Francia ; [Firenze, Palazzo Pitti, Museo degli Argenti 18 marzo - 4 settembre 2005] ... Maria de' Medici. 1573-1642. Una principessa fiorentina ... 1573-1642. Una principessa fiorentina sul trono di Francia. Sillabe. A cura di Caneva C. e Solinas F. Firenze, Palazzo Pitti, Museo degli ... Medici. 1573-1642. Una principessa fiorentina sul trono di ... Maria de' Medici. 1573-1642. Una principessa fiorentina sul trono di Francia ; Numero oggetto. 385871035012 ; Brand. Sillabe ; Colore. Multicolore ; Descrizione. MARIA DE' MEDICI (1573-1642) MARIA DE' MEDICI (1573-1642). €30,00. Una principessa fiorentina sul trono di Francia. a cura di Caterina Caneva e Francesco Solinas. Sillabe, 2005. Catalogo ... Maria de' Medici (1573-1642): una principessa fiorentina ... \*Maria

de' Medici (1573-1642): una principessa fiorentina sul trono di Francia / a cura di Caterina Caneva e Francesco Solinas. - Livorno : Sillabe, [2005].

The SAGE Handbook of Nations and Nationalism The overall aim of this Handbook is to relate theories and debates within and across a range of disciplines, illuminate themes and issues of central importance ... The SAGE Handbook of Nations and Nationalism This Handbook gives readers a critical survey of the latest theories and debates and provides a glimpse of the issues that will shape their future. Its three ... The SAGE Handbook of Nations and... by Delanty, Gerard The overall aim of this Handbook is to relate theories and debates within and across a range of disciplines, illuminate themes and issues of central importance ... The SAGE Handbook of Nations and Nationalism The overall aim of this Handbook is to relate theories and debates within and across a range of disciplines, illuminate themes and issues of central importance ... The SAGE handbook of nations and nationalism - NOBLE Web Includes bibliographical references and index. Contents: pt. 1. Approaches. Nationalism and the historians / Krishan Kumar -- Modernization and communication .. The SAGE handbook of nations and nationalism - Falvey Library The SAGE handbook of nations and nationalism / · 1. Nationalism and the historians / Krishan Kumar · 2. Modernization and communication as factors of nation ... The SAGE Handbook of Nations and Nationalism This Handbook gives readers a critical survey of the latest theories and debates and provides a glimpse of the issues that will shape their future. Its three ... The SAGE Handbook of Nations and Nationalism The SAGE Handbook of Nations and Nationalism gives readers a critical survey of the latest theories and debates and provides a glimpse of the issues that ... The Sage Handbook of Nations and Nationalism The overall aim of this Handbook is to relate theories and debates within and across a range of disciplines, illuminate themes and issues of central importance ... The Sage Handbook of Nations and Nationalism 1412901014 ... The SAGE Handbook of Nations and Nationalism gives readers a critical survey of the latest theories and debates and provid... Houghton Mifflin Go Math Grade 5 Math Grade 5 pdf for free. Houghton Mifflin Go. Math Grade 5. Introduction. In the ... answer key pdf lehigh valley hospital emergency medicine residency laura ... 5th Grade Answer Key.pdf @Houghton Mifflin Harcourt Publishing Company. Name. Write and Evaluate Expressions. ALGEBRA. Lesson 13 ... Of 1, 3, 5, and 11, which numbers are solutions for ... 5th Grade Answer Key PDF © Houghton Mifflin Harcourt Publishing Company. GRR2. Lesson 2 Reteach. Subtract Dollars and Cents. You can count up to find a difference. Find the difference ... Go Math! 5 Common Core answers & resources Go Math! 5 Common Core grade 5 workbook & answers help online. Grade: 5, Title: Go Math! 5 Common Core, Publisher: Houghton Mifflin Harcourt, ISBN: 547587813. Go Math! Grade 5 Teacher Edition Pages 401-450 Sep 15, 2022 — Check Pages 401-450 of Go Math! Grade 5 Teacher Edition in the flip PDF version. Go Math! Grade 5 Teacher Edition was published by Amanda ... Chapter 3 Answer Key A Logan. Ralph. They ate the same amount of grapes. D There is not enough information to decide which brother ate more grapes. □ Houghton Mifflin Harcourt ... Chapter 7 Answer Key Multiply Fractions and Whole Numbers. COMMON CORE STANDARD CC.5.NF.4a. Apply and extend previous understandings of multiplication and division to multiply. Math

## **Objective Questions Answers In Lathe Machine**

---

Expressions Answer Key Houghton Mifflin Math Expressions Common Core Answer Key for Grade 5, 4, 3, 2, 1, and Kindergarten K · Math Expressions Grade 5 Homework and Remembering Answer ... Go Math Answer Key for Grade K, 1, 2, 3, 4, 5, 6, 7, and 8 Free Download Go Math Answer Key from Kindergarten to 8th Grade. Students can find Go Math Answer Keys right from Primary School to High School all in one place ...