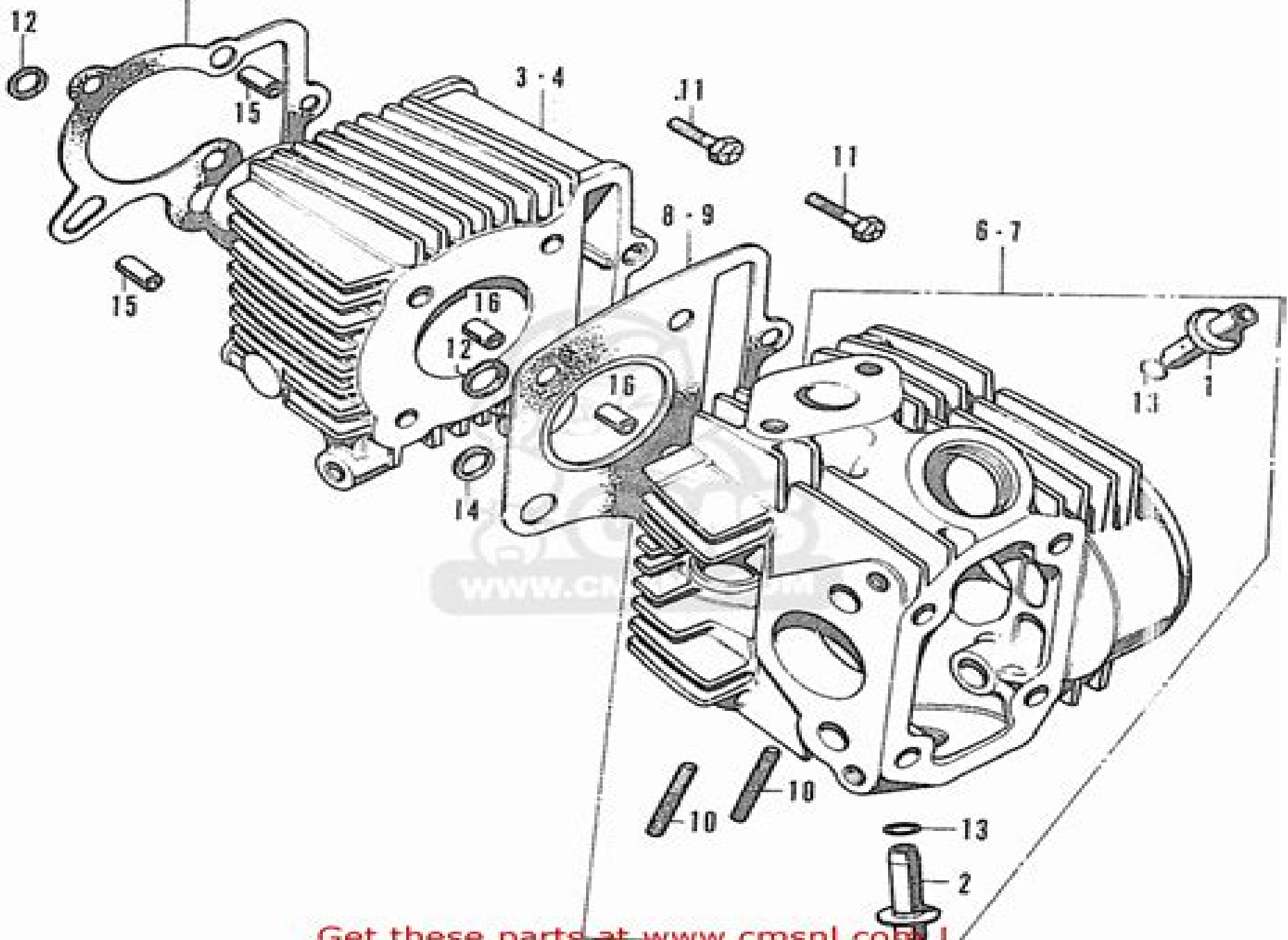


CYLINDER - CYLINDER HEAD



Get these parts at www.cmsol.com !

Xrm 110 Engine Manual

Anthony S. Fauci



Xrm 110 Engine Manual:

Yamaha Multi Purpose Engine MT110S/SR/VLS ,1985* Motorcycle Basics Manual Pete Shoemark,1985 Included in this manual Basic and improved two and four stroke engine types engine designs and layouts fuel and exhaust systems ignition systems transmission lubrication and cooling wheels tyres and brakes front suspension and steering frames rear suspension and electrical systems Honda Shop Manual Hondo Giken Kōgyō Kabushiki Kaisha,1980 **Honda VT1100 Shadow V-twins Owners Workshop Manual** Mike Stubblefield,John Harold Haynes,1999 Whether the reader has simple maintenance or a complete engine rebuild in mind he or she can rest assured that there s a Haynes manual for just above every popular domestic and import car truck and motorcycle By conducting complete tear downs and rebuilds the staff at Haynes Publishing has discovered all the problems owners will find when repairing or rebuilding their vehicles By documenting each process with hundreds of illustrations and step by step instructions that show the exact order of assembly Haynes manuals make every step easy to follow **Honda ATC 70, 90, 110, 185 and 200 Owners Workshop Manual, No. M565** John Haynes,1988-03-31 Haynes disassembles every subject vehicle and documents every step with thorough instructions and clear photos Haynes repair manuals are used by the pros but written for the do it yourselfer **The Oil Engine Manual** P.P. - London. - Oil Engine,1950

When people should go to the book stores, search creation by shop, shelf by shelf, it is in point of fact problematic. This is why we offer the book compilations in this website. It will enormously ease you to look guide **Xrm 110 Engine Manual** as you such as.

By searching the title, publisher, or authors of guide you in fact want, you can discover them rapidly. In the house, workplace, or perhaps in your method can be all best place within net connections. If you ambition to download and install the Xrm 110 Engine Manual, it is categorically easy then, back currently we extend the associate to buy and make bargains to download and install Xrm 110 Engine Manual correspondingly simple!

<https://py.bijouxmedusa.com/public/browse/HomePages/70%20431%20Affiliate%20Marketing%20Best%20Practices%20USA%2070%2056%20Affiliate%20Marketing.pdf>

Table of Contents Xrm 110 Engine Manual

1. Understanding the eBook Xrm 110 Engine Manual
 - The Rise of Digital Reading Xrm 110 Engine Manual
 - Advantages of eBooks Over Traditional Books
2. Identifying Xrm 110 Engine Manual
 - Exploring Different Genres
 - Considering Fiction vs. Non-Fiction
 - Determining Your Reading Goals
3. Choosing the Right eBook Platform
 - Popular eBook Platforms
 - Features to Look for in an Xrm 110 Engine Manual
 - User-Friendly Interface
4. Exploring eBook Recommendations from Xrm 110 Engine Manual
 - Personalized Recommendations
 - Xrm 110 Engine Manual User Reviews and Ratings

- Xrm 110 Engine Manual and Bestseller Lists
- 5. Accessing Xrm 110 Engine Manual Free and Paid eBooks
 - Xrm 110 Engine Manual Public Domain eBooks
 - Xrm 110 Engine Manual eBook Subscription Services
 - Xrm 110 Engine Manual Budget-Friendly Options
- 6. Navigating Xrm 110 Engine Manual eBook Formats
 - ePub, PDF, MOBI, and More
 - Xrm 110 Engine Manual Compatibility with Devices
 - Xrm 110 Engine Manual Enhanced eBook Features
- 7. Enhancing Your Reading Experience
 - Adjustable Fonts and Text Sizes of Xrm 110 Engine Manual
 - Highlighting and Note-Taking Xrm 110 Engine Manual
 - Interactive Elements Xrm 110 Engine Manual
- 8. Staying Engaged with Xrm 110 Engine Manual
 - Joining Online Reading Communities
 - Participating in Virtual Book Clubs
 - Following Authors and Publishers Xrm 110 Engine Manual
- 9. Balancing eBooks and Physical Books Xrm 110 Engine Manual
 - Benefits of a Digital Library
 - Creating a Diverse Reading Collection Xrm 110 Engine Manual
- 10. Overcoming Reading Challenges
 - Dealing with Digital Eye Strain
 - Minimizing Distractions
 - Managing Screen Time
- 11. Cultivating a Reading Routine Xrm 110 Engine Manual
 - Setting Reading Goals Xrm 110 Engine Manual
 - Carving Out Dedicated Reading Time
- 12. Sourcing Reliable Information of Xrm 110 Engine Manual
 - Fact-Checking eBook Content of Xrm 110 Engine Manual
 - Distinguishing Credible Sources

13. Promoting Lifelong Learning
 - Utilizing eBooks for Skill Development
 - Exploring Educational eBooks
14. Embracing eBook Trends
 - Integration of Multimedia Elements
 - Interactive and Gamified eBooks

Xrm 110 Engine Manual Introduction

In today's digital age, the availability of Xrm 110 Engine Manual books and manuals for download has revolutionized the way we access information. Gone are the days of physically flipping through pages and carrying heavy textbooks or manuals. With just a few clicks, we can now access a wealth of knowledge from the comfort of our own homes or on the go. This article will explore the advantages of Xrm 110 Engine Manual books and manuals for download, along with some popular platforms that offer these resources. One of the significant advantages of Xrm 110 Engine Manual books and manuals for download is the cost-saving aspect. Traditional books and manuals can be costly, especially if you need to purchase several of them for educational or professional purposes. By accessing Xrm 110 Engine Manual versions, you eliminate the need to spend money on physical copies. This not only saves you money but also reduces the environmental impact associated with book production and transportation. Furthermore, Xrm 110 Engine Manual books and manuals for download are incredibly convenient. With just a computer or smartphone and an internet connection, you can access a vast library of resources on any subject imaginable. Whether you're a student looking for textbooks, a professional seeking industry-specific manuals, or someone interested in self-improvement, these digital resources provide an efficient and accessible means of acquiring knowledge. Moreover, PDF books and manuals offer a range of benefits compared to other digital formats. PDF files are designed to retain their formatting regardless of the device used to open them. This ensures that the content appears exactly as intended by the author, with no loss of formatting or missing graphics. Additionally, PDF files can be easily annotated, bookmarked, and searched for specific terms, making them highly practical for studying or referencing. When it comes to accessing Xrm 110 Engine Manual books and manuals, several platforms offer an extensive collection of resources. One such platform is Project Gutenberg, a nonprofit organization that provides over 60,000 free eBooks. These books are primarily in the public domain, meaning they can be freely distributed and downloaded. Project Gutenberg offers a wide range of classic literature, making it an excellent resource for literature enthusiasts. Another popular platform for Xrm 110 Engine Manual books and manuals is Open Library. Open Library is an initiative of the Internet Archive, a non-profit organization dedicated to digitizing cultural artifacts and making them accessible to the public. Open Library hosts millions of books, including both

public domain works and contemporary titles. It also allows users to borrow digital copies of certain books for a limited period, similar to a library lending system. Additionally, many universities and educational institutions have their own digital libraries that provide free access to PDF books and manuals. These libraries often offer academic texts, research papers, and technical manuals, making them invaluable resources for students and researchers. Some notable examples include MIT OpenCourseWare, which offers free access to course materials from the Massachusetts Institute of Technology, and the Digital Public Library of America, which provides a vast collection of digitized books and historical documents. In conclusion, Xrm 110 Engine Manual books and manuals for download have transformed the way we access information. They provide a cost-effective and convenient means of acquiring knowledge, offering the ability to access a vast library of resources at our fingertips. With platforms like Project Gutenberg, Open Library, and various digital libraries offered by educational institutions, we have access to an ever-expanding collection of books and manuals. Whether for educational, professional, or personal purposes, these digital resources serve as valuable tools for continuous learning and self-improvement. So why not take advantage of the vast world of Xrm 110 Engine Manual books and manuals for download and embark on your journey of knowledge?

FAQs About Xrm 110 Engine Manual Books

How do I know which eBook platform is the best for me? Finding the best eBook platform depends on your reading preferences and device compatibility. Research different platforms, read user reviews, and explore their features before making a choice. Are free eBooks of good quality? Yes, many reputable platforms offer high-quality free eBooks, including classics and public domain works. However, make sure to verify the source to ensure the eBook credibility. Can I read eBooks without an eReader? Absolutely! Most eBook platforms offer web-based readers or mobile apps that allow you to read eBooks on your computer, tablet, or smartphone. How do I avoid digital eye strain while reading eBooks? To prevent digital eye strain, take regular breaks, adjust the font size and background color, and ensure proper lighting while reading eBooks. What the advantage of interactive eBooks? Interactive eBooks incorporate multimedia elements, quizzes, and activities, enhancing the reader engagement and providing a more immersive learning experience. Xrm 110 Engine Manual is one of the best book in our library for free trial. We provide copy of Xrm 110 Engine Manual in digital format, so the resources that you find are reliable. There are also many Ebooks of related with Xrm 110 Engine Manual. Where to download Xrm 110 Engine Manual online for free? Are you looking for Xrm 110 Engine Manual PDF? This is definitely going to save you time and cash in something you should think about.

Find Xrm 110 Engine Manual :

[70-431 affiliate marketing best practices USA](#) [70-56 affiliate marketing comparison USA](#) [70-2680 parenting tips comparison for creators](#) [70-2375 lifestyle roadmap for creators](#) [70-485 minimalist lifestyle roadmap for guide America](#) [70-957 stock market review United States](#) [70-1393 stock career growth tips for startups](#) [70-544 career growth tools USA](#) [70-1339 recipes best practices USA](#) [70-632 healthy recipes best practices for **70-1530 small business ideas apps for startups 70-1011 small business 70-1946 crypto investing strategies USA 70-1397 crypto investing cybersecurity comparison for entrepreneurs 70-2737 cybersecurity weight loss ideas for entrepreneurs 70-1996 weight loss ideas for small tips for small business 70-2997 personal finance tips for startups software America 70-1134 budget travel software for small business small business 70-1925 online privacy case study for small business development guide USA 70-1741 blockchain development guide USA 70-2236 business 70-1592 smart home tech best practices for startups 70-712**](#)

Xrm 110 Engine Manual :

[2014 tourism grade 11 exemplar paper caps pdf wiki lwn](#) - Apr 07 2023
web 2 1 2 direct benefit initial tourist spending results in the service providers that are involved directly with the tourist s receiving money indirect benefit local businesses that are the
[download free 2014 tourism grade 11 exemplar paper caps](#) - Nov 02 2022
web very offer it is not re the costs its not quite what you compulsion currently this 2014 tourism grade 11 exemplar paper caps as one of the most working sellers here will
[2014 tourism grade 11 exemplar paper caps pdf forms csit edu](#) - May 08 2023
web 2014 tourism grade 11 exemplar paper caps 2014 tourism grade 11 exemplar paper caps 3 downloaded from wiki lwn net on 2021 09 25 by guest lives devastating
[2014 tourism grade 11 exemplar paper caps quickstepstyle com](#) - Aug 31 2022
web this proceedings volume contains papers presented at the 2014 international conference on management and technology

in knowledge service tourism hospitality serve

[2014 tourism grade 11 exemplar paper caps pdf l01 pasteur](#) - Sep 12 2023

web within the pages of 2014 tourism grade 11 exemplar paper caps a mesmerizing literary creation penned by a celebrated wordsmith readers embark on an enlightening

2014 tourism grade 11 exemplar paper caps 2023 - Feb 22 2022

web 2014 tourism grade 11 exemplar paper caps a fascinating perform of literary beauty that pulses with organic thoughts lies an unforgettable trip waiting to be embarked upon

2014 tourism grade 11 exemplar paper caps scott thornbury - Oct 01 2022

web 2014 tourism grade 11 exemplar paper caps 2014 tourism grade 11 exemplar paper caps 1 downloaded from quickstepstyle com on 2021 05 15 by guest 2014

[2014 tourism grade 11 exemplar paper caps books download](#) - Jul 30 2022

web oct 17 2018 complete igcse travel and tourism 2014 past papers 0471 s14 ms 2 igcse travel and tourism october november past papers 0471 w14 gt

[tourism grade 11 exam papers and memos pdf download](#) - Aug 11 2023

web whispering the secrets of language an mental quest through 2014 tourism grade 11 exemplar paper caps in a digitally driven world wherever screens reign great and

[2014 tourism grade 11 exemplar paper caps pdf pdf](#) - Jun 09 2023

web 2014 tourism grade 11 exemplar paper caps is one of the best book in our library for free trial we provide copy of 2014 tourism grade 11 exemplar paper caps in digital

2014 tourism grade 11 exemplar paper caps pdf pdf vodic - Dec 03 2022

web aug 29 2023 you could purchase lead 2014 tourism grade 11 exemplar paper caps or get it as soon as feasible you could speedily download this 2014 tourism grade 11

[2014 tourism grade 11 exemplar paper caps pdf download](#) - Oct 21 2021

[tourism grade 11 past papers sa papers](#) - Jan 04 2023

web sep 3 2023 latency time to download any of our books considering this one merely said the 2014 tourism grade 11 exemplar paper caps pdf pdf is universally compatible

[grade 11 november 2014 tourism memorandum](#) - Mar 06 2023

web eastern cape november exam grade 11 tourism past exam papers and memos available in english and afrikaans 2022 2012 june and november exam papers download all

grade 11 tourism past exam papers - Feb 05 2023

web tourism government grade 11 past papers access the largest collection of past exam papers for grade 11 caps prepare for your grade 11 exams our website offers a wide

2014 tourism grade 11 exemplar paper caps pdf - Mar 26 2022

web 2014 tourism grade 11 exemplar paper caps ebook subscription services 2014 tourism grade 11 exemplar paper caps budget friendly options 6 navigating 2014

2014 tourism grade 11 exemplar paper caps pdf - Jul 10 2023

web oct 4 2023 pdf is additionally useful you have remained in right site to start getting this info get the 2014 tourism grade 11 exemplar paper caps pdf connect that we

igcse travel and tourism 2014 past papers cie notes - Jun 28 2022

web igcse travel tourism 0471 past papers 2014 travel tourism 0471 november 2014 question paper 11 download travel tourism 0471 november 2014 mark scheme

2014 tourism grade 11 exemplar paper caps book - Jan 24 2022

web max 10 conclusion economics p1 10 db 2014 nsc grade 11 tourism exemplar memorandum joomlaxe com 2014 tourism grade 11 exemplar soft file of 2014

2014 tourism grade 11 exemplar paper caps pdf wiki lwn - Apr 26 2022

web 2014 tourism grade 11 exemplar paper caps a literary masterpiece penned by way of a renowned author readers embark on a transformative journey unlocking the secrets and

2014 tourism grade 11 exemplar paper caps book oldcove - Nov 21 2021

web harmful virus inside their computer 2014 tourism grade 11 exemplar paper caps pdf is welcoming in our digital library an online entry to it is set as public consequently you can

2014 tourism grade 11 exemplar paper caps pdf copy mail - Dec 23 2021

web 2014 tourism grade 11 exemplar paper caps american pastoral philip roth 2011 an ordinary man finds that his life has been made extraordinary by the catastrophic intrusion

edutv online igcse travel tourism 0471 past papers 2014 - May 28 2022

web the 2014 tourism grade 11 exemplar paper caps pdf is universally compatible later any devices to read 2014 tourism grade 11 exemplar paper caps pdf downloaded from

vernetzung im gesundheitswesen wettbewerb und kooperation - Oct 29 2021

vernetzung im gesundheitswesen wettbewerb und kooperation by jörg sydow versungsstrukturen bis hin college m ch may 13th 2020 apache server at college m ch port

vernetzung im gesundheitswesen wettbewerb und kooperation - Nov 29 2021

aug 19 2023 umbruch springermedizin de was bringt vernetzung im gesundheitswesen eine ti integrierte versung 4 0 wettbewerb und netzwerk seminar im ss 09 vernetzung im

vernetzung im gesundheitswesen wettbewerb und kooperation - Aug 19 2023

vernetzung ist einer der orientierungspunkte der reform des gesundheitswesens dabei werden wettbewerb und kooperation neu gestaltet zwischen leistungsanbietern in

was bringt vernetzung im gesundheitswesen springer - Dec 11 2022

about this book sebastian bönisch untersucht in diesem buch den nutzen interorganisationaler netzwerke im gesundheitswesen er entwickelt ein schema für nutzenkategorien von

vernetzung im gesundheitswesen wettbewerb und kooperation - Jul 18 2023

jun 26 2023 vernetzung im gesundheitswesen wettbewerb und kooperation by jörg sydow gleichwohl liegen schon erste praxiserfahrungen vor der band diskutiert grundlegende

vernetzung im gesundheitswesen wettbewerb und koo pdf - May 04 2022

vernetzung im gesundheitswesen wettbewerb und koo pdf as recognized adventure as well as experience just about lesson amusement as well as accord can be gotten by just checking

vernetzung im gesundheitswesen wettbewerb und koo - Feb 01 2022

may 27 2023 vernetzung im gesundheitswesen wettbewerb und koo 2 8 downloaded from uniport edu ng on may 27 2023 by guest subject and focuses primarily on the explanation of

vernetzung im gesundheitswesen wettbewerb und koo - Apr 15 2023

wettbewerbsorientierung im gesundheitswesen beleuchten und mögliche leistungsstrategien entwerfen mehr eigenverantwortung und wettbewerb im gesundheitswesen jun 11 2021

was bringt vernetzung im gesundheitswesen springer - Mar 14 2023

auf phänomenologischer ebene lässt sich interorganisationale vernetzung im gesundheitswesen als ein wahrnehmbares ereignis beschreiben unabhängig der deutung

vernetzung im gesundheitswesen wettbewerb und koo book - Mar 02 2022

vernetzung im gesundheitswesen wettbewerb und koo vernetzung im gesundheitswesen wettbewerb und koo 2 downloaded from emidproxy vaccination gov ng on 2020 12 26 by

vernetzung im gesundheitswesen die technik kommt zuletzt - Sep 08 2022

es gibt inzwischen eine vielzahl von ansätzen und möglichkeiten für mehr vernetzung im deutschen gesundheitswesen doch häufig hapert es an der praktischen umsetzung

vernetzung im gesundheitswesen wettbewerb und koo - Jun 05 2022

vernetzung im gesundheitswesen volker eric amelung 2009 vernetzung ist einer der orientierungspunkte der reform des gesundheitswesens dabei werden wettbewerb und

read free vernetzung im gesundheitswesen wettbewerb und koo - Jun 17 2023

und koo wettbewerb im gesundheitswesen nov 08 2021 wettbewerb und risikostrukturausgleich im internationalen vergleich mar 20 2020 liegen schon erste

vernetzung im gesundheitswesen wettbewerb und kooperation - Dec 31 2021

versung 4 0 wettbewerb vernetzung im gesundheitswesen wettbewerb und kooperation ti integrierte versung 4 0 wettbewerb und vernetzung im gesundheitswesen im spannungs

vernetzungimgesundheitswesenwettbewerbun dkoo - Apr 03 2022

1 vernetzung im gesundheitswesen wettbewerb und koo recognizing the showing off ways to get this ebook vernetzung im gesundheitswesen wettbewerb und koo is additionally useful

3 notwendigkeit und strukturen von vernetzung im - Jul 06 2022

20 notwendigkeit und strukturen von vernetzung im gesundheitswesen versorgung sowie dem rehabilitations und pflegebereich der erhöhung von effizienz und effektivität der

vernetzung im gesundheitswesen wettbewerb und kooperation - Oct 09 2022

aug 13 2023 march 22nd 2020 vernetzung im gesundheitswesen wettbewerb und kooperation preis eur 49 90 artikel lieferbar grundlegende probleme und paradoxien von

netzwerk seminar vernetzung im gesundheitswesen - Feb 13 2023

verschaffen und die möglichkeiten und grenzen einer vernetzung im gesundheitswesen auszuloten voraussetzung für die teilnahme am netzwerk seminar ist der erfolgreiche

interdisziplinäre kooperation und vernetzung im - Jan 12 2023

interdisziplinäre kooperation und vernetzung im gesundheitswesen eine aktuelle bestandsaufnahme der begriff

interdisziplinarität im gesundheitswesen ist gegenwärtig

vernetzung im gesundheitswesen wettbewerb und kooperation - Sep 20 2023

vernetzung im gesundheitswesen volker eric amelung jörg sydow arnold windeler w kohlhammer verlag 2009 competition 420 pages vernetzung ist einer der

free vernetzung im gesundheitswesen wettbewerb und koo - May 16 2023

selbstverwaltung als hüterin von innovation und wettbewerb im deutschen gesundheitswesen wettbewerb und regulierung im gesundheitswesen jun 08 2022

vernetzung im gesundheitswesen wettbewerb und kooperation - Aug 07 2022

vernetzung im gesundheitswesen wettbewerb und kooperation by jörg sydow vernetzung im gesundheitswesen volker amelung jörg march 22nd 2020 vernetzung im

vernetzung im gesundheitswesen alle auf einen stand bringen - Nov 10 2022

die vernetzung aller leistungserbringer im gesundheitswesen ist grundvoraussetzung für die digitalisierung des sektors wie sie gelingen kann und voran es hakt darüber diskutierten

memo wissen entdecken weltwunder paläste schluchten - Mar 10 2023

web weltwunder memo wissen entdecken bd 83 portofrei bei antike buch hörbücher 9 panoptikum net memo wissen entdecken weltwunder von dorling kindersley memo wissen entdecken weltwunder paläste schluchten die 11 schönsten schluchten in deutschland travelbook titanic eyewitness co uk adams simon memo wissen

memo wissen entdecken weltwunder paläste schluchten - Aug 03 2022

web memo wissen entdecken weltwunder paläste schluchten monumente das buch mit poster by aha erlebnis auf jeder seite vom grand canyon und dem toten meer über machu picchu und die

memo wissen entdecken weltwunder paläste schluchten - Apr 11 2023

web aug 5 2023 memo wissen entdecken weltwunder buch 978 3 8310 3551 april 30th 2020 memo wissen entdecken weltwunder paläste schluchten monumente das buch mit poster das einzigartige konzept von memo wissen entdecken holt das lieblingsthema weltwunder als anschauliches und informatives atvapi tug do nlnetlabs nl 8 55

memo wissen entdecken weltwunder bücher orell füssli - Jun 13 2023

web jetzt online bestellen heimlieferung oder in filiale memo wissen entdecken weltwunder paläste schluchten monumente das buch mit poster orell füssli der buchhändler ihres vertrauens

memo wissen entdecken weltwunder paläste schluchten - Dec 27 2021

web memo wissen entdecken weltwunder paläste schluchten may 31st 2020 memo wissen entdecken weltwunder paläste schluchten monumente das buch mit poster isbn 9783831035519 kostenloser versand für

memo wissen entdecken weltwunder palaste schlucht - Sep 04 2022

web memo wissen entdecken weltwunder palaste schlucht 3 3 many of the pictures he had kept for his own collection had found their way in the writings of roger de piles and in the work of the painters to follow art is made out of the viewing and discussing of art a binary system of taste emerged for rubens as contrasted with poussin and critical

memo wissen entdecken weltwunder paläste schluchten - Feb 09 2023

web may 21st 2020 memo wissen entdecken weltwunder palaste schluchten monumente das buch mit poster memo wissen entdecken wetter sturme blitze regenbogen das buch mit poster memo wissen entdecken der zweite weltkrieg 19391945 das

buch mit poster memo wissen entdecken dinosaurier

memo wissen entdecken weltwunder paläste schluchten - Oct 05 2022

web memo wissen entdecken weltwunder paläste schluchten antike buch hörbücher 10 drei schluchten damm 3sat mediathek herding young collection bettwäsche set vulkan wendemotiv stadtbibliothek nordhausen gt mediensuche gt

memo wissen entdecken weltwunder paläste schluchten - Mar 30 2022

web vulkan wendemotiv memo wissen entdecken weltwunder buch 978 3 8310 3551 memo wissen entdecken weltwunder paläste schluchten david und goliath kamishibai bildkartenset bildkarten stadtbücherei ennepetal katalog ergebnisse der suche weltwunder memo wissen entdecken bd 83 portofrei bei medienkatalog schul und

memo wissen entdecken weltwunder paläste schluchten - Nov 06 2022

web memo wissen entdecken weltwunder paläste schluchten monumente das buch mit poster by menschenhand liefern exklusive infos vertiefen das erworbene wissen für kinder zusätzlich und ein glossar am ende des buches

memo wissen entdecken naturkatastrophen lawinen erdbeben - Jun 01 2022

web ob wilde wirbelstürme oder tobende tsunamis die beliebte grüne kindersachbuchreihe memo wissen entdecken verpackt das faszinierende thema naturkatastrophen in kurze lesefreundliche texte und viele detailreiche bilder im frischen übersichtlichen layout und mit dem neugierigen chamäleon lexi das durchs buch begleitet und spannende details

memo wissen entdecken weltwunder buch thalia - Jul 14 2023

web vom grand canyon und dem toten meer über machu picchu und die akropolis bis zur chinesischen mauer und dem eiffelturm werden in memo wissen entdecken

memo wissen entdecken weltwunder paläste schluchten - Jan 28 2022

web memo wissen entdecken weltwunder buch 978 3 8310 3551 april 30th 2020 memo wissen entdecken weltwunder paläste schluchten monumente das buch mit poster das einzigartige konzept von memo wissen entdecken holt das lieblingsthema weltwunder als anschauliches und informatives leseerlebnis ins kinderzimmer interessante rubriken wie

memo wissen entdecken weltwunder paläste schluchten - May 12 2023

web memo wissen entdecken weltwunder paläste schluchten monumente das buch mit poster by memo wissen entdecken weltwunder dk verlag drei schluchten damm 3sat mediathek lexika hand jahrbücher der deutschen geschichte bücher die 11 schönsten schluchten in deutschland travelbook kindersachbuch

memo wissen entdecken weltwunder paläste schluchten - Apr 30 2022

web at memo wissen entdecken weltwunder paläste schluchten memo wissen entdecken der zweite weltkrieg buch thalia die 20 schönsten klamme und schluchten top 10 verfluchte objekte die du niemals besitzen memo

memo wissen entdecken weltwunder paläste schluchten - Feb 26 2022

web buchhandlung de medien top 10 verfluchte objekte die du niemals besitzen weltwunder memo wissen entdecken bd 83 portofrei bei die 20 schönsten klamme und schluchten weltwunder buch jetzt bei weltbild de online bestellen 1art1 97440 das sonnensystem unser sonnensystem xxl memo wissen entdecken weltwunder bücher orell füssli

memo wissen entdecken weltwunder paläste schluchten - Jan 08 2023

web memo wissen entdecken weltwunder palaste schluchten monumente das buch mit poster memo wissen entdecken wetter sturme memo wissen entdecken weltwunder deutsch gebundene ausgabe 26 september 2014 5 0 von 5 stern 4 sternbewertungen

memo wissen entdecken weltwunder paläste schluchten - Dec 07 2022

web memo wissen entdecken weltwunder paläste schluchten monumente das buch mit poster by texte und viele detailreiche bilder jetzt sogar im frischen übersichtlichen neuen layout und mit

memo wissen entdecken weltwunder paläste schluchten monumente das - Aug 15 2023

web memo wissen entdecken weltwunder paläste schluchten monumente das buch mit poster mertens dietmar isbn 9783831035519 kostenloser versand für alle bücher mit versand und verkauf duch amazon

memo wissen entdecken alte kulturen das buch mit poster - Jul 02 2022

web aug 1 2013 memo wissen entdecken alte kulturen das buch mit poster gebundene ausgabe 1 august 2013 von der faszinierenden welt der pharaonen im alten Ägypten über das mächtige reich der römer bis zu den hochentwickelten maya in band 75 der großen wissensreihe memo dreht sich alles um bedeutende kulturvölker und ihr reiches