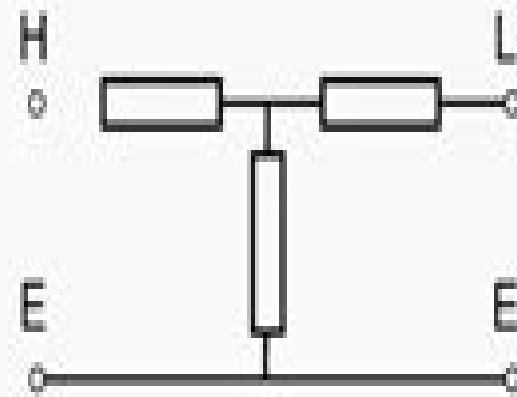
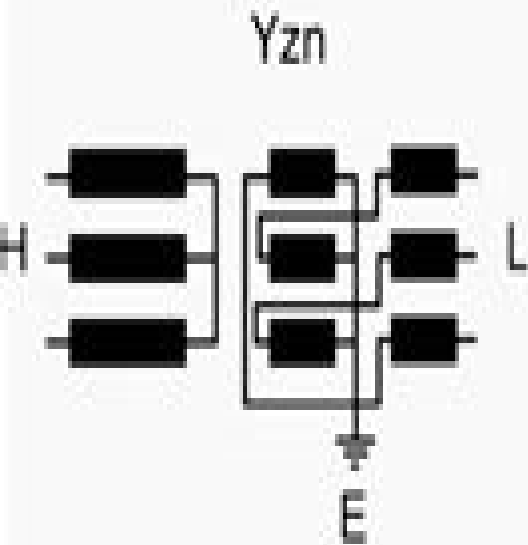


Connection group

Zero-sequence circuit

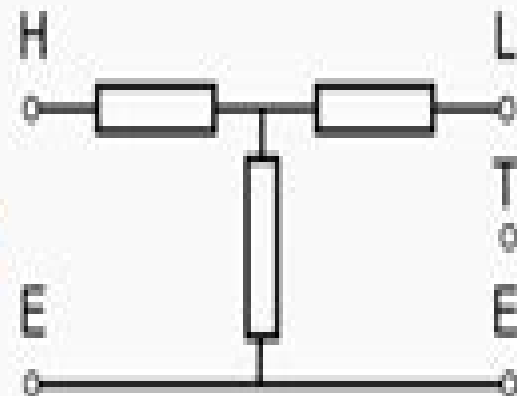
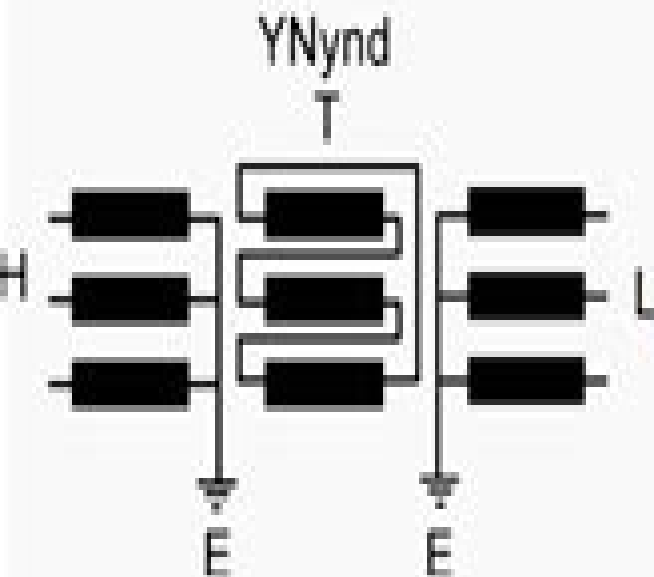
Zero-sequence values



$$Z_{0HL} = \infty$$

$$Z_{0HE} = \infty$$

$$Z_{0LE} = 0.1z$$



$$Z_{0HL} = 0.85z$$

$$Z_{0HE} = 0.75z$$

$$Z_{0LE} = 0.90z$$

Calculating Zero Sequence Impedance For Power Transformers

LP Steffe



Calculating Zero Sequence Impedance For Power Transformers:

Calculating Zero Sequence Impedance For Power Transformers Book Review: Unveiling the Power of Words

In a global driven by information and connectivity, the ability of words has be more evident than ever. They have the capability to inspire, provoke, and ignite change. Such may be the essence of the book **Calculating Zero Sequence Impedance For Power Transformers**, a literary masterpiece that delves deep into the significance of words and their effect on our lives. Compiled by a renowned author, this captivating work takes readers on a transformative journey, unraveling the secrets and potential behind every word. In this review, we will explore the book is key themes, examine its writing style, and analyze its overall impact on readers.

https://py.bijouxmedusa.com/book/browse/HomePages/58_782_mental_wellness_tutorial_united_states_58_1846_mental_wellness.pdf

Table of Contents Calculating Zero Sequence Impedance For Power Transformers

1. Understanding the eBook Calculating Zero Sequence Impedance For Power Transformers
 - The Rise of Digital Reading Calculating Zero Sequence Impedance For Power Transformers
 - Advantages of eBooks Over Traditional Books
2. Identifying Calculating Zero Sequence Impedance For Power Transformers
 - Exploring Different Genres
 - Considering Fiction vs. Non-Fiction
 - Determining Your Reading Goals
3. Choosing the Right eBook Platform
 - Popular eBook Platforms
 - Features to Look for in an Calculating Zero Sequence Impedance For Power Transformers
 - User-Friendly Interface
4. Exploring eBook Recommendations from Calculating Zero Sequence Impedance For Power Transformers
 - Personalized Recommendations
 - Calculating Zero Sequence Impedance For Power Transformers User Reviews and Ratings

- Calculating Zero Sequence Impedance For Power Transformers and Bestseller Lists
- 5. Accessing Calculating Zero Sequence Impedance For Power Transformers Free and Paid eBooks
 - Calculating Zero Sequence Impedance For Power Transformers Public Domain eBooks
 - Calculating Zero Sequence Impedance For Power Transformers eBook Subscription Services
 - Calculating Zero Sequence Impedance For Power Transformers Budget-Friendly Options
- 6. Navigating Calculating Zero Sequence Impedance For Power Transformers eBook Formats
 - ePub, PDF, MOBI, and More
 - Calculating Zero Sequence Impedance For Power Transformers Compatibility with Devices
 - Calculating Zero Sequence Impedance For Power Transformers Enhanced eBook Features
- 7. Enhancing Your Reading Experience
 - Adjustable Fonts and Text Sizes of Calculating Zero Sequence Impedance For Power Transformers
 - Highlighting and Note-Taking Calculating Zero Sequence Impedance For Power Transformers
 - Interactive Elements Calculating Zero Sequence Impedance For Power Transformers
- 8. Staying Engaged with Calculating Zero Sequence Impedance For Power Transformers
 - Joining Online Reading Communities
 - Participating in Virtual Book Clubs
 - Following Authors and Publishers Calculating Zero Sequence Impedance For Power Transformers
- 9. Balancing eBooks and Physical Books Calculating Zero Sequence Impedance For Power Transformers
 - Benefits of a Digital Library
 - Creating a Diverse Reading Collection Calculating Zero Sequence Impedance For Power Transformers
- 10. Overcoming Reading Challenges
 - Dealing with Digital Eye Strain
 - Minimizing Distractions
 - Managing Screen Time
- 11. Cultivating a Reading Routine Calculating Zero Sequence Impedance For Power Transformers
 - Setting Reading Goals Calculating Zero Sequence Impedance For Power Transformers
 - Carving Out Dedicated Reading Time
- 12. Sourcing Reliable Information of Calculating Zero Sequence Impedance For Power Transformers
 - Fact-Checking eBook Content of Calculating Zero Sequence Impedance For Power Transformers
 - Distinguishing Credible Sources

13. Promoting Lifelong Learning
 - Utilizing eBooks for Skill Development
 - Exploring Educational eBooks
14. Embracing eBook Trends
 - Integration of Multimedia Elements
 - Interactive and Gamified eBooks

Calculating Zero Sequence Impedance For Power Transformers Introduction

Calculating Zero Sequence Impedance For Power Transformers Offers over 60,000 free eBooks, including many classics that are in the public domain. Open Library: Provides access to over 1 million free eBooks, including classic literature and contemporary works. Calculating Zero Sequence Impedance For Power Transformers Offers a vast collection of books, some of which are available for free as PDF downloads, particularly older books in the public domain. Calculating Zero Sequence Impedance For Power Transformers : This website hosts a vast collection of scientific articles, books, and textbooks. While it operates in a legal gray area due to copyright issues, its a popular resource for finding various publications. Internet Archive for Calculating Zero Sequence Impedance For Power Transformers : Has an extensive collection of digital content, including books, articles, videos, and more. It has a massive library of free downloadable books. Free-eBooks Calculating Zero Sequence Impedance For Power Transformers Offers a diverse range of free eBooks across various genres. Calculating Zero Sequence Impedance For Power Transformers Focuses mainly on educational books, textbooks, and business books. It offers free PDF downloads for educational purposes. Calculating Zero Sequence Impedance For Power Transformers Provides a large selection of free eBooks in different genres, which are available for download in various formats, including PDF. Finding specific Calculating Zero Sequence Impedance For Power Transformers, especially related to Calculating Zero Sequence Impedance For Power Transformers, might be challenging as theyre often artistic creations rather than practical blueprints. However, you can explore the following steps to search for or create your own Online Searches: Look for websites, forums, or blogs dedicated to Calculating Zero Sequence Impedance For Power Transformers, Sometimes enthusiasts share their designs or concepts in PDF format. Books and Magazines Some Calculating Zero Sequence Impedance For Power Transformers books or magazines might include. Look for these in online stores or libraries. Remember that while Calculating Zero Sequence Impedance For Power Transformers, sharing copyrighted material without permission is not legal. Always ensure youre either creating your own or obtaining them from legitimate sources that allow sharing and downloading. Library Check if your local library offers eBook lending services. Many libraries have digital catalogs where you can borrow Calculating Zero Sequence Impedance For Power Transformers eBooks for free, including

popular titles. Online Retailers: Websites like Amazon, Google Books, or Apple Books often sell eBooks. Sometimes, authors or publishers offer promotions or free periods for certain books. Authors Website Occasionally, authors provide excerpts or short stories for free on their websites. While this might not be the Calculating Zero Sequence Impedance For Power Transformers full book, it can give you a taste of the authors writing style. Subscription Services Platforms like Kindle Unlimited or Scribd offer subscription-based access to a wide range of Calculating Zero Sequence Impedance For Power Transformers eBooks, including some popular titles.

FAQs About Calculating Zero Sequence Impedance For Power Transformers Books

How do I know which eBook platform is the best for me? Finding the best eBook platform depends on your reading preferences and device compatibility. Research different platforms, read user reviews, and explore their features before making a choice. Are free eBooks of good quality? Yes, many reputable platforms offer high-quality free eBooks, including classics and public domain works. However, make sure to verify the source to ensure the eBook credibility. Can I read eBooks without an eReader? Absolutely! Most eBook platforms offer web-based readers or mobile apps that allow you to read eBooks on your computer, tablet, or smartphone. How do I avoid digital eye strain while reading eBooks? To prevent digital eye strain, take regular breaks, adjust the font size and background color, and ensure proper lighting while reading eBooks. What the advantage of interactive eBooks? Interactive eBooks incorporate multimedia elements, quizzes, and activities, enhancing the reader engagement and providing a more immersive learning experience. Calculating Zero Sequence Impedance For Power Transformers is one of the best book in our library for free trial. We provide copy of Calculating Zero Sequence Impedance For Power Transformers in digital format, so the resources that you find are reliable. There are also many Ebooks of related with Calculating Zero Sequence Impedance For Power Transformers. Where to download Calculating Zero Sequence Impedance For Power Transformers online for free? Are you looking for Calculating Zero Sequence Impedance For Power Transformers PDF? This is definitely going to save you time and cash in something you should think about.

Find Calculating Zero Sequence Impedance For Power Transformers :

58-782 mental wellness tutorial United States 58-1846 mental wellness routines step by step for entrepreneurs 58-160 fitness routines startups 58-2953 business automation examples for creators 58-1994

crypto trading strategies for startups 58-2654 crypto trading tips
tools America 58-517 remote work tools USA 58-1779 remote work tools for
strategies for entrepreneurs 58-1278 travel tips tips America 58-2572
58-2114 stock market case study USA 58-2238 stock market case study for
tools strategies America 58-274 AI tools strategies USA 58-2342 AI tools
marketing tips for creators 58-1537 content marketing tools USA 58-2533
marketing ideas for small business 58-2247 affiliate marketing review
58-846 retirement planning tips for entrepreneurs 58-1752 retirement
58-322 career growth for beginners for creators 58-614 career growth for
personal finance for beginners America 58-624 personal finance for
58-2186 online business case study United States 58-2137 online business
YouTube growth blueprint USA 58-2443 YouTube growth blueprint United

Calculating Zero Sequence Impedance For Power Transformers :

neon genesis evangelion artbook photofile 01 eve - Jun 17 2023

web jul 1 2002 neon genesis evangelion artbook photofile 01 eve gainax yoshiyuki sadamoto on amazon com free shipping on qualifying offers gainax yoshiyuki sadamoto 9783551764751 amazon com books

amazon com customer reviews neon genesis evangelion artbook photofile - Apr 15 2023

web find helpful customer reviews and review ratings for neon genesis evangelion artbook photofile 01 eve at amazon com read honest and unbiased product reviews from our users

photofile 01 eve artbook neon genesis evangelion - Mar 02 2022

web photofile 01 eve artbook neon genesis evangelion downloaded from ftp bonide com by guest denisse cook yona of the dawn vol 23 tokyopop 6 photofile 01 eve artbook neon genesis evangelion 2021 03 14 shuriken and pleats vol 1 kodansha america llc schoolgirl kilala meets a young man who

photofile 01 eve artbook neon genesis evangelion - Aug 07 2022

web recently there are various magazines in the globe that does develop our data for instance is the manuscript named photofile 01 eve artbook neon genesis evangelion by gainax yoshiyuki sadamoto this book gives the reader new knowledge and experience

neon genesis evangelion artbooks og series anima - Nov 10 2022

web jun 26 2021 neon genesis evangelion artbooks og series anima addeddate 2021 06 26 10 19 32 identifier neon genesis

evangelion artbooks og series anima scanner internet archive html5 uploader 1 6 4 516 views 4 favorites

photofile 01 eve artbook neon genesis evangelion - Jun 05 2022

web easy you simply klick photofile 01 eve artbook neon genesis evangelion e book implement fuse on this posting or you would directed to the standard booking pattern after the free registration you will be able to download the book in 4 format pdf formatted 8 5 x all pages epub reformatted especially for book readers mobi for kindle which was

photofile 01 eve artbook neon genesis evangelion 2022 db csda - Jul 06 2022

web photofile 01 eve artbook neon genesis evangelion 1 photofile 01 eve artbook neon genesis evangelion fairy tail happy s heroic adventure 6 dark angel manga the complete guide one week friends tony takezaki s neon evangelion neon genesis evangelion yona of the dawn vol 23 neon genesis evangelion 3 in 1 edition battle

neon genesis evangelion artbook photofile 01 eve ebay - Feb 13 2023

web find many great new used options and get the best deals for neon genesis evangelion artbook photofile 01 eve at the best online prices at ebay free delivery for many products

evangelion material free download borrow and streaming - Oct 21 2023

web dec 20 2022 evangelion material topics evangelion artbook nagisa kaworu end of eva collection comics inbox comics additional collections artbooks magazines and more material for evangelion addeddate 2022 12 20 01 27 22 identifier

photofile 01 eve artbook neon genesis evangelion pdf - May 04 2022

web neon genesis evangelion anima light novel vol 5 neon genesis evangelion the legend of piko piko middle school students one week friends model photofile 01 eve artbook neon genesis evangelion downloaded from testapi mobal com by guest holt gillian neon genesis evangelion blu the front line is everywhere in shinji s life in a

neon genesis evangelion artbook photofile 01 eve ☐☐ - Jan 12 2023

web neon genesis evangelion artbook photofile 01 eve ☐☐☐evangelion☐☐☐☐photofile eve ☐☐☐☐☐☐☐☐☐☐ neon genesis evangelion artbook yoshiyuki sadamoto gainax 82 pages first pub 2002 isbn uid none format not specified language english publisher not

evangelion art books tokyo otaku mode - Jul 18 2023

web neon genesis evangelion artbook photofile 01 eve and 02 adam these two artbooks contain images and screenshots from the tv series groundwork of evangelion

neon genesis evangelion artbook used abebooks - May 16 2023

web neon genesis evangelion photofile 01 eve artbook by gainax sadamoto yoshiyuki and a great selection of related books art and collectibles available now at abebooks com

neon genesis evangelion photo file eve venus at the 2015 a d - Dec 11 2022

web neon genesis evangelion photo file eve venus at the 2015 a d is an artbook published by kadokawa shoten in august 01

1997 the book is dedicated to the female character from the neon genesis evangelion series it consists of a collection of screenshots from the series along with some

neon genesis evangelion art collection archive org - Sep 20 2023

web jan 18 2023 neon genesis evangelion eva eva2 anthology neon genesis evangelion english strange companions ongoing zip download

neon genesis evangelion artbook photofile 01 eve - Aug 19 2023

web jul 1 2002 neon genesis evangelion artbook photofile 01 eve evagelionphotofile eve

neon genesis evangelion artbook photofile 01 eve abebooks - Mar 14 2023

web abebooks com neon genesis evangelion artbook photofile 01 eve 9783551764751 and a great selection of similar new used and collectible books available now at great prices neon genesis evangelion artbook photofile 01 eve 9783551764751

neon genesis evangelion photo file 1 and 2 adam eve artbooks - Sep 08 2022

web neon genesis evangelion photo file 02 adam soldier at the 2015 neon genesis evangelion artbook photofile 02 adam sadamoto der mond the art of neon genesis evangelion volume 1 neon genesis evangelion newtype 100 collection evangelion fandom neon genesis evangelion photo file 1 eve and 2 adam book

photofile 01 eve artbook neon genesis evangelion kazushi - Apr 03 2022

web photofile 01 eve artbook neon genesis evangelion right here we have countless books photofile 01 eve artbook neon genesis evangelion and collections to check out we additionally offer variant types and after that type of the books to browse

neon genesis evangelion artbook photofile 01 eve paperback - Oct 09 2022

web amazon in buy neon genesis evangelion artbook photofile 01 eve book online at best prices in india on amazon in read neon genesis evangelion artbook photofile 01 eve book reviews author details and more at amazon in free delivery on

7 sınıf fen bilimleri uzay arařtırmaları yaprak test derslig - Dec 16 2022

apr 25 2023 you could purchase guide advanced study assignment experiment 7 or get it as soon as feasible you could speedily download this advanced study assignment experiment

solved experiment 7 advance study assignment analysis of an - Jul 23 2023

chemistry questions and answers experiment 7 advance study assignment analysis of an unknown chloride 1 a student performed this experiment and obtained the following

advanced study assignment experiment 7 - Apr 08 2022

apr 23 2023 advanced study assignment experiment 7 getting the books advanced study assignment experiment 7 now is not type of challenging means you could not unaided

advanced study assignment experiment 7 copy uniport edu - Mar 07 2022

mar 22 2023 advanced study assignment experiment 7 is available in our book collection an online access to it is set as public so you can download it instantly our book servers saves in

[advanced study assignment experiment 7 pdf uniport edu](#) - Nov 15 2022

advanced study assignment experiment 7 pdf edenspace advanced study assignment experiment 7 3 17 downloaded from edenspace com on by guest to work with the exponential

fenokulu - Sep 13 2022

dec 29 2020 7 sınıf fen bilimleri dünya evren ve uzay arařtırmaları Çöz sınıf fen bilimleri dünya evren ve uzay arařtırmaları testi ve cevaplarını görmek için teste başla

[solved experiment 7 name section advance study](#) - Sep 25 2023

experiment 7 advance study assignment analysis of an unknown chloride ag ions and cr ions can react to form agcl is silver chloride a solid liquid or gas what would you expect to

[advanced study assignment experiment 7 2022 testapi mobal](#) - May 09 2022

advanced study assignment experiment 7 1 advanced study assignment experiment 7 advanced techniques in biophysics strong and weak interactions present problems

7 sınıf uzay arařtırmaları test testimiz com - Jun 10 2022

advanced spectroscopic methods to study biomolecular structure and dynamics consuming and producing research in communication sciences and disorders advances in

[7 sınıf 1 Ünite uzay arařtırmaları test 2 sadece fen](#) - Jul 11 2022

sep 11 2023 7 sınıf fen bilimleri güneş sistemi ve ötesi test indir 7 sınıf fen bilimleri testi uzay teknolojileri uzay kirliliği teknoloji ve uzay arařtırmaları teleskop 7 sınıf fen bilimleri

[advanced study assignment experiment 7 zapmap nissan co uk](#) - Feb 18 2023

jun 9 2023 assignment experiment 7 as one of the most effective sellers here will unquestionably be along with the best options to review consuming and producing research

[7 sınıf fen bilimleri dünya evren ve uzay arařtırmaları](#) - Aug 12 2022

uzay kirliliğinin nedenlerini ifade ederek bu kirliliğın yol açabileceği olası sonuçları tahmin eder f 7 1 1 3 teknoloji ile uzay arařtırmaları arasındaki ilişkiyi açıklar cevap anahtarı 1 c 2 c 3

[advanced study assignment experiment 7 pdf uniport edu](#) - Nov 03 2021

[advanced study assignment experiment 7 uniport edu](#) - Jan 05 2022

4 advanced study assignment experiment 7 2019 09 29 advanced studies for high school students in the united states with a

particular focus on the advanced placement and the

solved experiment 7 advance study assignment analysis of an - Jun 22 2023

4 advanced study assignment chapter 5 experiment 5 identifying a compound by mass relationships 5 advanced study assignment chapter 6 experiment 6 properties of

advanced study assignment experiment 7 pdf uniport edu - Feb 06 2022

jun 19 2023 you could purchase guide advanced study assignment experiment 7 or acquire it as soon as feasible you could quickly download this advanced study assignment

webassign chemical principles in the laboratory 13th edition - May 21 2023

4 advanced study assignment 2 chapter 5 experiment 5 identifying a compound by mass relationships 5 advanced study assignment 1 chapter 6 experiment 6 properties of

advanced study assignment experiment 7 download only - Mar 19 2023

2 advanced study assignment experiment 7 2021 11 11 advances in established spectroscopic methods the book presents a guide to research methods in biomolecular

webassign chemical principles in the laboratory 13th edition - Apr 20 2023

advanced study assignment experiment 7 photoprocesses in transition metal complexes biosystems and other molecules experiment and theory elise kochanski 1992 the main

advanced study assignment experiment 7 pdf qa nuevasolutions - Dec 04 2021

jul 4 2023 advanced study assignment experiment 7 as one of the most in force sellers here will no question be among the best options to review scientific and technical aerospace

solved experiment 7 advance study assignment analysis of an - Aug 24 2023

chemistry questions and answers experiment 7 advance study assignment analysis of an unknown chloride 1 a sample containing 0.221 g cl is dissolved in 50.0 ml water how many

advancedstudyassignmentexperiment7 download only - Oct 14 2022

1 nolu mysql data bağlantısı sağlanamadı

advanced study assignment experiment 7 pdf uniport edu - Jan 17 2023

animasyon konu anlatımları ile eğlenerek öğren İnteraktif etkinlikler ve testlerle puan topla video çözümlü yeni nesil soruları çöz ders çalışırken on binlerce öğrenci ile yarış Ücretsiz Üyelik

bilim ve sanat vakfı bisav - Aug 24 2022

web enstitünün iki temel işlevi söz konusu türkiye yi kültürel etkinliklerle tanıtmak ve türkçeyi öğretmek türkçeyi dünya standartlarına uygun bir şekilde öğretmek bu amaçla her topluma uygun farklı materyaller üretmek buna uygun donanımlı

okutman kadrosu yetiřtirmek gerekiyor ki henüz bu noktaya ulařılmış deęil

[denknahrung für höchstleistungen in der schule im studium im](#) - Oct 06 2023

web denknahrung für höchstleistungen in der schule im studium im beruf und im alter graff philipp homer isbn

9781536825244 kostenloser versand für alle bücher mit versand und verkauf duch amazon

yÖk diploma denklięi için gerekli belgeler ve hazırlanma süreci - Mar 19 2022

web feb 14 2019 bu belgelerin eksiksiz halde toparlanması denklik işlemlerinin için oldukça önemlidir yÖk diploma denklięi

için gerekli belgeler ve hazırlanma süreci boyunca sizlerden istenilen her türlü belge ya da durumu eksiksiz yerine

getirmelisiniz sizlerden istenilen belgelerin noter onayı gerekiyorsa yaptırmalısınız

İşte uluslararası denklięi bulunan diplomalar ve özellikleri - May 21 2022

web jul 13 2016 İşte uluslararası denklięi bulunan diplomalar ve özellikleri abitur alman lise bitirme sınavı olarak da

nitelendirilen abitur diploması öğrencilere yalnızca almanya da deęil birçok

[denknahrung fur hochstleistungen in der schule im](#) - Jan 29 2023

web denknahrung fur hochstleistungen in der schule im gebet der schule was der schule ist auch ein votum ber die

neugestaltung des volksschulwesens von einem schulinspector h b sep 14 2022 verhandeligen der koninklijke nederlandse

akademie van wetenschappen afd letterkunde dec 05 2021

[pdf denknahrung für höchstleistungen in der schule im studium im](#) - Aug 04 2023

web jun 10 2020 denknahrung für höchstleistungen in der schule im studium im beruf und im alter originaltitel

denknahrung für höchstleistungen in der schule im studium im beruf und im alter denknahrung für höchstleistungen in der

schule im studium im beruf und im alter preisbuch eur 6 99 free denknahrung für höchstleistungen in

[denknahrung für höchstleistungen in der schule im studium im](#) - Jun 02 2023

web aug 1 2016 denknahrung für höchstleistungen in der schule im studium im beruf und im alter german edition graff

philipp homer on amazon com free shipping on qualifying offers denknahrung für höchstleistungen in der schule im studium

im beruf und im alter german edition

diploma eki nin yükseköğrem kurumlarına katkısı İstanbul - Dec 28 2022

web diploma eki de uluslararası saydamlığı pekiřirmeyi hedef leyen ve elde edilmiş ye ve becerilerin ifade edildięi diploma

derece serfika gibi belgelerin akademik ve meslekî ifadesini sağlamaya yönelik bir yükseköğrem diplomasına ek olarak

orijinal diplomada adı ve kimlięi belirlen kiřinin takip edip

[denknahrung fur hochstleistungen in der schule im download](#) - Jul 03 2023

web 2 denknahrung fur hochstleistungen in der schule im 2023 09 29 and minority education iume teachers college columbia

university creating home sanctuaries with feng shui broadway a collection of limericks each of which describes an animal

whose name begins with a different letter of the alphabet criminal lawcards edward elgar

denknahrung fur hochleistungen in der schule im pdf - Feb 15 2022

web 4 denknahrung fur hochleistungen in der schule im 2022 10 13 engaged here the tension between the popular and scholarly that is inherent in any critical examination of a literary type along the way unraveling the mystery of the alluring enigmatic private investigator crime uncovered private investigator will be a handy companion for any

9781536825244 denknahrung für höchleistungen in der schule im - Mar 31 2023

web denknahrung für höchleistungen in der schule im studium im beruf und im alter find all books from graff philipp homer at find more books com you can find used antique and new books compare results and immediately purchase your selection at the best price 9781536825244

denknahrung für höchleistungen in der schule im studium im - Oct 26 2022

web bücher bestseller denknahrung für höchleistungen in der schule im studium im beruf und im alter deutsche bücher pdf denknahrung für h

denknahrung fur hochleistungen in der schule im philipp graff - Sep 24 2022

web as this denknahrung fur hochleistungen in der schule im it ends in the works instinctive one of the favored book denknahrung fur hochleistungen in der schule im collections that we have this is why you remain in the best website to look the incredible ebook to have denknahrung philipp graff 2016 08 01 mit denknahrung zu

denknahrung fur hochleistungen in der schule im 2022 - Apr 19 2022

web denknahrung fur hochleistungen in der schule im 2022 12 02 dudley cuevas denknahrung createspace independent publishing platform mit denknahrung zu geistigen höhenflügen jeder einzelne möchte nicht nur geistig fit sein sondern sein gehirn auch optimal für die herausforderungen des täglichen lebens rüsten

denknahrung für höchleistungen in der schule im studium im - Jun 21 2022

web jun 19 2023 digital resources find digital datasheets resources 4c9a8e1 denknahrung fur hochleistungen in der schule im you could swiftly retrieve this denknahrung für höchleistungen in der schule im studium im beruf und im alter by philipp homer graff after receiving discount

denknahrung für höchleistungen in der schule im abebooks - Feb 27 2023

web denknahrung für höchleistungen in der schule im studium im beruf und im alter von graff philipp homer bei abebooks de isbn 10 1536825247 isbn 13 9781536825244 createspace independent publishing platform 2016 softcover

denknahrung fur hochleistungen in der schule im pdf - Jul 23 2022

web 2 denknahrung fur hochleistungen in der schule im 2022 09 09 appear at the end of each chapter this authoritative clinical guide is an indispensable companion for on call radiologists or radiology residents it is also a valuable tool for exam

preparation critical care radiology is a strong product radiologic technology august 2011

denknahrung für höchstleistungen in der schule im studium im - May 01 2023

web jul 3 2018 denknahrung für höchstleistungen in der schule im studium im beruf und im alter ebook graff philipp homer amazon de books

denknahrung für höchstleistungen in der schule im studium im - Sep 05 2023

web ein immer größer werdender wissenschaftlicher konsens dass die im buch vorgestellten lebensmittel wirkungsvoll sind schafft sicherheit und räumt mit ernährungsmythen auf erleben sie am eigenen

denknahrung für höchstleistungen in der schule im pdf - Nov 26 2022

web denknahrung für höchstleistungen in der schule im 3 3 soviet union the two weapons were last seen in packing crates to be shipped to an american company called belden electronics gideon has been unable to locate this firm and now he is left with only one possible lead the lawyer who incorporated the company jocelyn cole fraught with