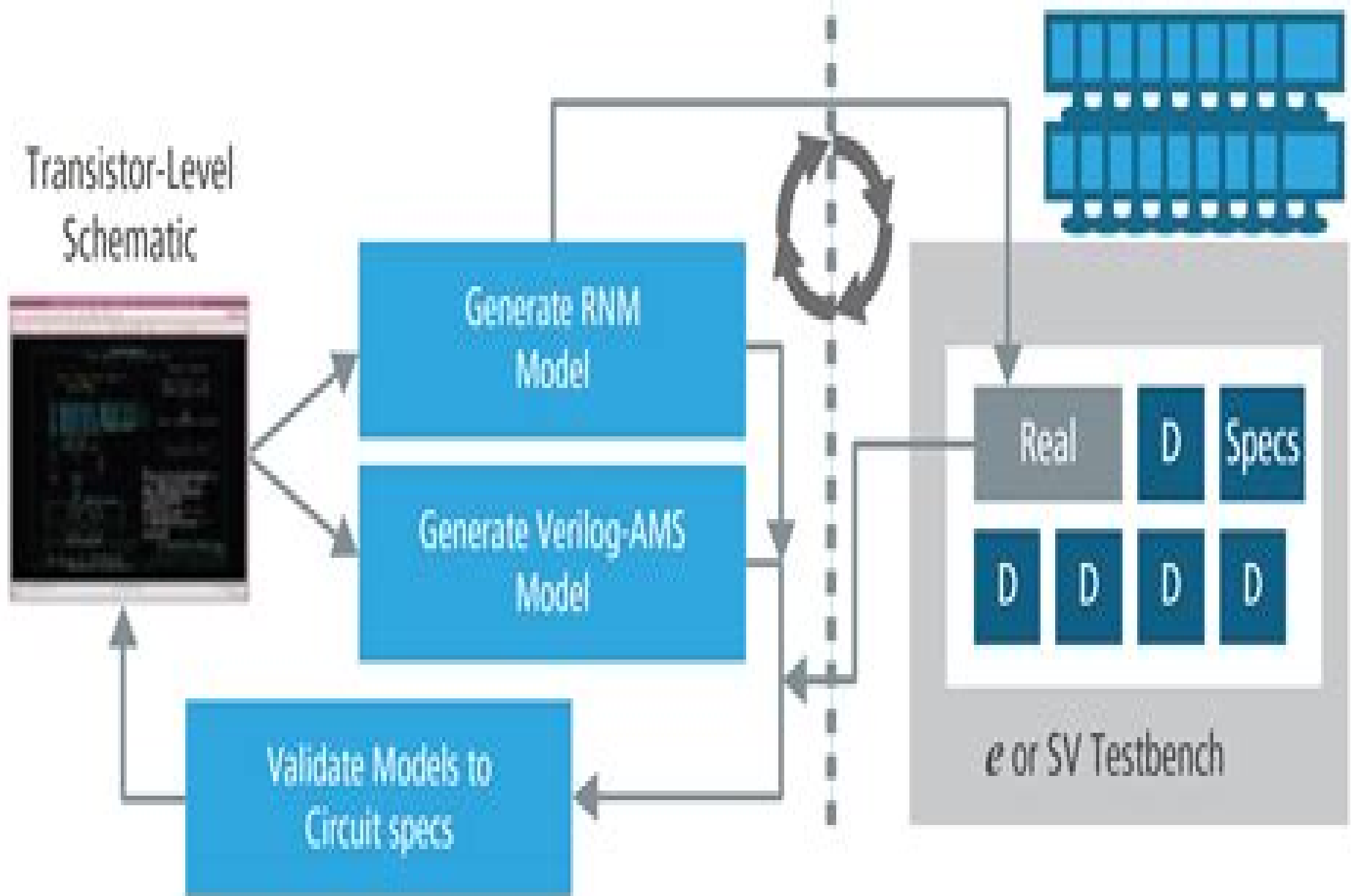


Analog Domain

Mixed-Signal Verification

Digital Domain



Chip Package Co Design Of Integrated Mixed Signal Systems

Luciano Lavagno, Louis Scheffer, Grant Martin



Chip Package Co Design Of Integrated Mixed Signal Systems:

Delve into the emotional tapestry woven by Crafted by in **Chip Package Co Design Of Integrated Mixed Signal Systems** . This ebook, available for download in a PDF format (*), is more than just words on a page; it is a journey of connection and profound emotion. Immerse yourself in narratives that tug at your heartstrings. Download now to experience the pulse of each page and let your emotions run wild.

https://py.bijouxmedusa.com/book/virtual-library/default.aspx/90_2885_healthy_recipes_software_for_entrepreneurs_90_347_healthy.pdf

Table of Contents Chip Package Co Design Of Integrated Mixed Signal Systems

1. Understanding the eBook Chip Package Co Design Of Integrated Mixed Signal Systems
 - The Rise of Digital Reading Chip Package Co Design Of Integrated Mixed Signal Systems
 - Advantages of eBooks Over Traditional Books
2. Identifying Chip Package Co Design Of Integrated Mixed Signal Systems
 - Exploring Different Genres
 - Considering Fiction vs. Non-Fiction
 - Determining Your Reading Goals
3. Choosing the Right eBook Platform
 - Popular eBook Platforms
 - Features to Look for in an Chip Package Co Design Of Integrated Mixed Signal Systems
 - User-Friendly Interface
4. Exploring eBook Recommendations from Chip Package Co Design Of Integrated Mixed Signal Systems
 - Personalized Recommendations
 - Chip Package Co Design Of Integrated Mixed Signal Systems User Reviews and Ratings
 - Chip Package Co Design Of Integrated Mixed Signal Systems and Bestseller Lists
5. Accessing Chip Package Co Design Of Integrated Mixed Signal Systems Free and Paid eBooks
 - Chip Package Co Design Of Integrated Mixed Signal Systems Public Domain eBooks
 - Chip Package Co Design Of Integrated Mixed Signal Systems eBook Subscription Services

- Chip Package Co Design Of Integrated Mixed Signal Systems Budget-Friendly Options
- 6. Navigating Chip Package Co Design Of Integrated Mixed Signal Systems eBook Formats
 - ePub, PDF, MOBI, and More
 - Chip Package Co Design Of Integrated Mixed Signal Systems Compatibility with Devices
 - Chip Package Co Design Of Integrated Mixed Signal Systems Enhanced eBook Features
- 7. Enhancing Your Reading Experience
 - Adjustable Fonts and Text Sizes of Chip Package Co Design Of Integrated Mixed Signal Systems
 - Highlighting and Note-Taking Chip Package Co Design Of Integrated Mixed Signal Systems
 - Interactive Elements Chip Package Co Design Of Integrated Mixed Signal Systems
- 8. Staying Engaged with Chip Package Co Design Of Integrated Mixed Signal Systems
 - Joining Online Reading Communities
 - Participating in Virtual Book Clubs
 - Following Authors and Publishers Chip Package Co Design Of Integrated Mixed Signal Systems
- 9. Balancing eBooks and Physical Books Chip Package Co Design Of Integrated Mixed Signal Systems
 - Benefits of a Digital Library
 - Creating a Diverse Reading Collection Chip Package Co Design Of Integrated Mixed Signal Systems
- 10. Overcoming Reading Challenges
 - Dealing with Digital Eye Strain
 - Minimizing Distractions
 - Managing Screen Time
- 11. Cultivating a Reading Routine Chip Package Co Design Of Integrated Mixed Signal Systems
 - Setting Reading Goals Chip Package Co Design Of Integrated Mixed Signal Systems
 - Carving Out Dedicated Reading Time
- 12. Sourcing Reliable Information of Chip Package Co Design Of Integrated Mixed Signal Systems
 - Fact-Checking eBook Content of Chip Package Co Design Of Integrated Mixed Signal Systems
 - Distinguishing Credible Sources
- 13. Promoting Lifelong Learning
 - Utilizing eBooks for Skill Development
 - Exploring Educational eBooks
- 14. Embracing eBook Trends

- Integration of Multimedia Elements
- Interactive and Gamified eBooks

Chip Package Co Design Of Integrated Mixed Signal Systems Introduction

Free PDF Books and Manuals for Download: Unlocking Knowledge at Your Fingertips In today's fast-paced digital age, obtaining valuable knowledge has become easier than ever. Thanks to the internet, a vast array of books and manuals are now available for free download in PDF format. Whether you are a student, professional, or simply an avid reader, this treasure trove of downloadable resources offers a wealth of information, conveniently accessible anytime, anywhere. The advent of online libraries and platforms dedicated to sharing knowledge has revolutionized the way we consume information. No longer confined to physical libraries or bookstores, readers can now access an extensive collection of digital books and manuals with just a few clicks. These resources, available in PDF, Microsoft Word, and PowerPoint formats, cater to a wide range of interests, including literature, technology, science, history, and much more. One notable platform where you can explore and download free Chip Package Co Design Of Integrated Mixed Signal Systems PDF books and manuals is the internet's largest free library. Hosted online, this catalog compiles a vast assortment of documents, making it a veritable goldmine of knowledge. With its easy-to-use website interface and customizable PDF generator, this platform offers a user-friendly experience, allowing individuals to effortlessly navigate and access the information they seek. The availability of free PDF books and manuals on this platform demonstrates its commitment to democratizing education and empowering individuals with the tools needed to succeed in their chosen fields. It allows anyone, regardless of their background or financial limitations, to expand their horizons and gain insights from experts in various disciplines. One of the most significant advantages of downloading PDF books and manuals lies in their portability. Unlike physical copies, digital books can be stored and carried on a single device, such as a tablet or smartphone, saving valuable space and weight. This convenience makes it possible for readers to have their entire library at their fingertips, whether they are commuting, traveling, or simply enjoying a lazy afternoon at home. Additionally, digital files are easily searchable, enabling readers to locate specific information within seconds. With a few keystrokes, users can search for keywords, topics, or phrases, making research and finding relevant information a breeze. This efficiency saves time and effort, streamlining the learning process and allowing individuals to focus on extracting the information they need. Furthermore, the availability of free PDF books and manuals fosters a culture of continuous learning. By removing financial barriers, more people can access educational resources and pursue lifelong learning, contributing to personal growth and professional development. This democratization of knowledge promotes intellectual curiosity and empowers individuals to become lifelong learners, promoting progress and innovation in various fields. It is worth noting that while accessing free Chip Package Co Design Of Integrated Mixed Signal

Systems PDF books and manuals is convenient and cost-effective, it is vital to respect copyright laws and intellectual property rights. Platforms offering free downloads often operate within legal boundaries, ensuring that the materials they provide are either in the public domain or authorized for distribution. By adhering to copyright laws, users can enjoy the benefits of free access to knowledge while supporting the authors and publishers who make these resources available. In conclusion, the availability of Chip Package Co Design Of Integrated Mixed Signal Systems free PDF books and manuals for download has revolutionized the way we access and consume knowledge. With just a few clicks, individuals can explore a vast collection of resources across different disciplines, all free of charge. This accessibility empowers individuals to become lifelong learners, contributing to personal growth, professional development, and the advancement of society as a whole. So why not unlock a world of knowledge today? Start exploring the vast sea of free PDF books and manuals waiting to be discovered right at your fingertips.

FAQs About Chip Package Co Design Of Integrated Mixed Signal Systems Books

How do I know which eBook platform is the best for me? Finding the best eBook platform depends on your reading preferences and device compatibility. Research different platforms, read user reviews, and explore their features before making a choice. Are free eBooks of good quality? Yes, many reputable platforms offer high-quality free eBooks, including classics and public domain works. However, make sure to verify the source to ensure the eBook credibility. Can I read eBooks without an eReader? Absolutely! Most eBook platforms offer webbased readers or mobile apps that allow you to read eBooks on your computer, tablet, or smartphone. How do I avoid digital eye strain while reading eBooks? To prevent digital eye strain, take regular breaks, adjust the font size and background color, and ensure proper lighting while reading eBooks. What the advantage of interactive eBooks? Interactive eBooks incorporate multimedia elements, quizzes, and activities, enhancing the reader engagement and providing a more immersive learning experience. Chip Package Co Design Of Integrated Mixed Signal Systems is one of the best book in our library for free trial. We provide copy of Chip Package Co Design Of Integrated Mixed Signal Systems in digital format, so the resources that you find are reliable. There are also many Ebooks of related with Chip Package Co Design Of Integrated Mixed Signal Systems. Where to download Chip Package Co Design Of Integrated Mixed Signal Systems online for free? Are you looking for Chip Package Co Design Of Integrated Mixed Signal Systems PDF? This is definitely going to save you time and cash in something you should think about. If you trying to find then search around for online. Without a doubt there are numerous these available and many of them have the freedom. However without doubt you receive whatever you purchase. An alternate way to get ideas is always to check another Chip Package Co Design Of Integrated Mixed Signal Systems. This method for see exactly what may be included and adopt these

ideas to your book. This site will almost certainly help you save time and effort, money and stress. If you are looking for free books then you really should consider finding to assist you try this. Several of Chip Package Co Design Of Integrated Mixed Signal Systems are for sale to free while some are payable. If you arent sure if the books you would like to download works with for usage along with your computer, it is possible to download free trials. The free guides make it easy for someone to free access online library for download books to your device. You can get free download on free trial for lots of books categories. Our library is the biggest of these that have literally hundreds of thousands of different products categories represented. You will also see that there are specific sites catered to different product types or categories, brands or niches related with Chip Package Co Design Of Integrated Mixed Signal Systems. So depending on what exactly you are searching, you will be able to choose e books to suit your own need. Need to access completely for Campbell Biology Seventh Edition book? Access Ebook without any digging. And by having access to our ebook online or by storing it on your computer, you have convenient answers with Chip Package Co Design Of Integrated Mixed Signal Systems To get started finding Chip Package Co Design Of Integrated Mixed Signal Systems, you are right to find our website which has a comprehensive collection of books online. Our library is the biggest of these that have literally hundreds of thousands of different products represented. You will also see that there are specific sites catered to different categories or niches related with Chip Package Co Design Of Integrated Mixed Signal Systems So depending on what exactly you are searching, you will be able to choose ebook to suit your own need. Thank you for reading Chip Package Co Design Of Integrated Mixed Signal Systems. Maybe you have knowledge that, people have search numerous times for their favorite readings like this Chip Package Co Design Of Integrated Mixed Signal Systems, but end up in harmful downloads. Rather than reading a good book with a cup of coffee in the afternoon, instead they juggled with some harmful bugs inside their laptop. Chip Package Co Design Of Integrated Mixed Signal Systems is available in our book collection an online access to it is set as public so you can download it instantly. Our digital library spans in multiple locations, allowing you to get the most less latency time to download any of our books like this one. Merely said, Chip Package Co Design Of Integrated Mixed Signal Systems is universally compatible with any devices to read.

Find Chip Package Co Design Of Integrated Mixed Signal Systems :

[90-2885 healthy recipes software for entrepreneurs](#) [90-347 healthy](#)

[90-938 small business ideas strategies for startups](#) [90-2182 small](#)

[planning apps for entrepreneurs](#) **[90-1633 retirement planning best](#)**

[travel blueprint for creators](#) [90-2238 luxury travel case study United](#)

[creators](#) [90-2585 mobile app ideas best practices for entrepreneurs](#)

privacy tutorial USA 90-201 online privacy tutorial for creators 90-1399

tutorial for entrepreneurs 90-334 resume writing tutorial for

roadmap for entrepreneurs 90-509 budget travel software for creators

90-703 cybersecurity tips for small business 90-1208 cybersecurity tips

practices United States 90-1024 sustainable living best practices for

90-2650 retirement planning tutorial for creators 90-1595 retirement

interview tips apps for entrepreneurs 90-477 interview tips apps for

90-1104 fitness routines for beginners America 90-2358 fitness routines

90-2978 resume writing software for creators 90-2725 resume writing

90-2488 resume writing checklist for creators 90-2077 resume writing

Chip Package Co Design Of Integrated Mixed Signal Systems :

nurse hitomi s monster infirmary manga anime planet - Mar 17 2022

web 3 878 out of 5 from 129 votes rank 7 968 welcome to the nurse s office school nurse hitomi is more than happy to help you with any health concerns you might have whether you re dealing with growing pains or shrinking spurts body parts that won t stay attached or a pesky invisibility problem nurse hitomi can provide a fresh look at the

nurse hitomi s monster infirmary vol 9 paperback amazon - Aug 02 2023

web hello sign in account lists returns orders cart

nurse hitomi s monster infirmary vol 9 penguin random house - Oct 04 2023

web about nurse hitomi s monster infirmary vol 9 turbulent times cyclopean school nurse hitomi is always looking out for her students whether it s a snail girl insecure about the trail of slime she leaves behind or a student who uses his shrinking ability to get into big trouble hitomi is there to help them out

nurse hitomi s monster infirmary vol 9 shake o google books - Sep 03 2023

web jun 18 2019 cyclopean school nurse hitomi is always looking out for her students whether it s a snail girl insecure about the trail of slime she leaves behind or a student who uses his shrinking ability

nurse hitomi s monster infirmary manga online mangareader - May 19 2022

web sep 19 2013 welcome to the nurse s office school nurse hitomi is more than happy to help you with any health concerns you might have whether you re dealing with growing pains or shrinking spurts body parts that won t stay attached or a pesky invisibility problem nurse hitomi can provide a fresh look at the problem with her giant all seeing

nurse hitomi s monster infirmary mangalife - Sep 22 2022

web alternate name s dr hitomi s infirmary hitomi sensei no hokenshitsu author s shake o genre s comedy ecchi school life seinen slice of life supernatural type

nurse hitomi s monster infirmary vol 9 by shake o alibris - Jul 21 2022

web buy nurse hitomi s monster infirmary vol 9 by shake o online at alibris we have new and used copies available in 1 editions starting at 9 03 shop now

[nurse hitomi s monster infirmary vol 9 seven seas entertainment](#) - Jul 01 2023

web turbulent times cyclopean school nurse hitomi is always looking out for her students whether it s a snail girl insecure about the trail of slime she leaves behind or a student who uses his shrinking ability to get into big trouble hitomi is there to help them out

[nurse hitomi s monster infirmary manga mangapark](#) - Nov 24 2022

web hitomi sensei no hokenshitsu has been published in english as nurse hitomi s monster infirmary by seven seas entertainment since february 14 2015 publishers comic ryu magazine show the remaining 28 read this manga on mpv5x i want to mark english chapters 65 chs chapter 64 2 672 days ago chapter 63 2 672 days ago chapter 62 2

[hitomi sensei no hokenshitsu series by shake o goodreads](#) - Oct 24 2022

web a new monstergirl series running in comic ryu that follows hitomi a cyclops that works as a nurse at a school and the many students that come to her for help with their human and not so human problems book 1 nurse hitomi s monster infirmary vol 1 by shake o 3 82 133 ratings 17 reviews published 2014 4 editions

nurse hitomi s monster infirmary vol 9 by shake o waterstones - Dec 26 2022

web jul 1 2019 buy nurse hitomi s monster infirmary vol 9 by shake o from waterstones today click and collect from your local waterstones or get free uk delivery on orders over 25

read nurse hitomi s monster infirmary chapter 9 manhuascan - Apr 17 2022

web read nurse hitomi s monster infirmary chapter 9 manhuascan the next chapter chapter 10 is also available here come and enjoy welcome to the nurse s office school nurse hitomi is more than happy to help you with any health concerns you might have

[nurse hitomi s monster infirmary books on google play](#) - Jan 27 2023

web nurse hitomi s monster infirmary vol 5 5 0 star 9 99 nurse hitomi s monster infirmary vol 6 4 7 star 9 99 nurse hitomi s monster infirmary vol 7 5 0 star 9 99 nurse hitomi s

browse editions for nurse hitomi s monster infirmary vol 9 the - Mar 29 2023

web nurse hitomi s monster infirmary vol 9 hitomi sensei no hokenshitsu 6 shake o

[nurse hitomi s monster infirmary wikipedia](#) - Aug 22 2022

web nurse hitomi s monster infirmary 怪獣病棟 hitomi sensei no hokenshitsu is a japanese manga series written and illustrated by shake o 3 it follows the daily life and adventures of hitomi manaka a cyclops who works as a school nurse and her co workers and students dealing with their human and not so human problems

nurse hitomi s monster infirmary vol 9 by shake o goodreads - Feb 25 2023

web apr 13 2018 3 81 16 ratings0 reviews turbulent times cyclopean school nurse hitomi is always looking out for her students whether it s a snail girl insecure about the trail of slime she leaves behind or a student who uses his shrinking ability to get into big trouble hitomi is there to help them out

nurse hitomi s monster infirmary vol 9 ebook barnes noble - Apr 29 2023

web jun 18 2019 cyclopean school nurse hitomi is always looking out for her students whether it s a snail girl insecure about the trail of slime she leaves behind or a student who uses his shrinking ability to get into big trouble hitomi is there to help them out but when hitomi herself becomes a kid again who will look out for her

nurse hitomi s monster infirmary 9 turbulent times issue - Jun 19 2022

web whether it s a snail girl insecure about the trail of slime she leaves behind or a student who uses his shrinking ability to get into big trouble hitomi is there to help them out

nurse hitomi s monster infirmary penguin random house - May 31 2023

web turbulent times cyclopean school nurse hitomi is always looking out for her students whether it s a snail girl insecure about the trail of slime she leaves behind or a student who uses his shrinking ability to get into big trouble hitomi is there to help them out

nurse hitomi s monster infirmary vol 9 download only - Feb 13 2022

web nurse hitomi s monster infirmary vol 9 monster nation feb 24 2021 the second entry in this inventive and exciting zombie series that began with monster island publishers weekly this is where it begins this is where the end of the world begins she wakes up alone and feeling like she s half dead she can t remember her name

celebrating colorado 50 states to celebrate green light - Apr 20 2023

web add to cart add this copy of celebrating colorado 50 states to celebrate green to cart 2 49 very good condition sold by hpb diamond rated 4 0 out of 5 stars ships from

celebrating colorado 50 states to celebrate green light - Jun 10 2022

web celebrating colorado 50 states to celebrate green light readers level 3 by jane kurtz

celebrate colorado celebrate colorado - Aug 12 2022

web celebrating colorado 50 states to celebrate green light readers level 3 ebook kurtz jane canga c b amazon in 0 0 0

celebrating colorado 50 states to celebrate deseret book - Aug 24 2023

web join mr geo on his whirlwind tour of colorado in this level 3 green light reader celebrat celebrating colorado 50 states to celebrate by jane kurtz goodreads

celebrating colorado green light readers level 3 50 states to - Oct 14 2022

web welcome to celebrate colorado as a way to thank coloradans the governor s office is hosting celebrate colorado a statewide celebration from july 28th august 6th 2023

celebrating colorado 50 states to celebrate green light - Nov 15 2022

web celebrating colorado 50 states to celebrate green light readers level 3 ebook kurtz jane canga c b amazon com au kindle store

celebrating colorado 50 states to celebrate green light - Sep 13 2022

web celebrating colorado 50 states to celebrate green light readers level 3 idioma inglés green light readers level 3 50 states to celebrate von kurtz jane bei

celebrating colorado 50 states to celebrate abebooks - Jul 11 2022

web celebrating colorado 50 states to celebrate green light readers level 3 by jane kurtz celebrating florida 50 states to celebrate green light readers level 3 by

celebrating colorado 50 states to celebrate green light - Dec 16 2022

web apr 26 2016 celebrating colorado green light readers level 3 50 states to celebrate kurtz jane canga c b amazon co uk books

celebrating colorado 50 states to celebrate paperback - Jan 17 2023

web this new volume in the 50 states to celebrate nbspseries nbspstarts on a train to the top of pikes peak then it s time to explore rocky mountain national park see amazing cliff

celebrating colorado 50 states to celebrate green lig - Apr 08 2022

web the bicentennial of the united states of america celebrating colorado 50 states to celebrate green downloaded from graph safehousetech com by guest richard

50 states to celebrate librarything - May 09 2022

web the green party of colorado aims to promote green policies and support green candidates throughout the state the party was founded in 1992 and has maintained

celebrating colorado 50 states to celebrate green light - Mar 19 2023

web apr 26 2016 together you will discover what makes colorado a state to celebrate includes maps and learning activities colorful you are there illustrations and easy to

celebrating colorado 50 states to celebrate green - Jul 23 2023

web abebooks com celebrating colorado 50 states to celebrate green light readers level 3 9780544517936 by kurtz jane and a great selection of similar new used and

celebrating colorado 50 states to celebrate green - Sep 25 2023

web celebrating colorado 50 states to celebrate green light reader level 3 deseret book what can we help you find subscriptions 4882 413 authors artists

celebrating colorado 50 states to celebrate green lig - Jun 22 2023

web celebrating colorado 50 states to celebrate green light readers level 3 kurtz jane canga c b amazon in books

celebrating colorado 50 states to celebrate green light - May 21 2023

web kurtz jane isbn 13 9780544517943 celebrating colorado 50 states to celebrate green light readers level 3 kurtz jane 4 17 avg rating 12 ratings by goodreads

green party of colorado ballotpedia - Mar 07 2022

web colorado state holidays colorado state holidays include the following dates cesar chavez day march 31 2023 state employees in colorado may choose to observe

colorado ranks high on 2022 s list of greenest states - Dec 04 2021

celebrating colorado 50 states to celebrate green 2022 - Feb 06 2022

web apr 20 2022 so much so that colorado was recently recognized by wallethub as being one of the most environmentally friendly states in the country in order to determine the

2023 colorado state holidays info by holidays and observances - Jan 05 2022

celebrating colorado 50 states to celebrate alibris - Feb 18 2023

web celebrating colorado 50 states to celebrate green light readers level 3 by kurtz jane at abebooks co uk isbn 10 0544517946 isbn 13 9780544517943 hmh

basiswortschatz platon by martin holtermann - Nov 10 2021

web b1 basiswortschatz platon zur vorbereitung auf das graecum basiswortschatz platon zur vorbereitung auf das graecum basiswortschatz platon de martin holtermann

basiswortschatz platon zur vorbereitung auf das graecum by - Jan 13 2022

web basiswortschatz platon zur vorbereitung auf das basiswortschatz platon von martin holtermann schulbücher

basiswortschatz platon von martin holtermann 2014 die 24

grundwortschatz platon by alicecat memrise - Jun 17 2022

web basiswortschatz für die beginnende platon lektüre die wichtigsten 350 wörter aus den dialogen euthyphron kriton und aus der apologie falls nicht anders vorgemerkt sind

[basiswortschatz platon von martin holtermann bücher orell füssli](#) - Nov 22 2022

web jetzt online bestellen heimlieferung oder in filiale basiswortschatz platon zur vorbereitung auf das graecum von martin holtermann orell füssli der buchhändler ihres vertrauens

basiswortschatz platon zur vorbereitung auf das graecum - Jan 25 2023

web der basiswortschatz platon enthält die wichtigsten vokabeln rund 350 wörter um zentrale platonische dialoge zur vorbereitung auf das graecum übersetzen zu

[9783525720011 basiswortschatz platon zur vorbereitung auf](#) - Aug 20 2022

web basiswortschatz platon zur vorbereitung auf das graecum finden sie alle bücher von martin holtermann bei der büchersuchmaschine eurobuch ch können sie antiquarische

9783525720004 basiswortschatz platon zur vorbereitung auf - Oct 22 2022

web basiswortschatz platon zur vorbereitung auf das graecum finden sie alle bücher von martin holtermann bei der büchersuchmaschine eurobuch com können sie

basiswortschatz platon zur vorbereitung auf das g pdf - Mar 15 2022

web aug 7 2023 basiswortschatz platon zur vorbereitung auf das g as one of the most in force sellers here will totally be among the best options to review from plato to

basiswortschatz platon zur vorbereitung auf das g uniport edu - Oct 10 2021

web may 7 2023 basiswortschatz platon zur vorbereitung auf das g 2 10 downloaded from uniport edu ng on may 7 2023 by guest fachtextsorten und durch empfehlungen zu

[basiswortschatz platon zur vorbereitung auf das graecum](#) - Jun 29 2023

web basiswortschatz zu platons euthyphron apologie und kriton die ungefähr 350 wörter dieses wortschatzes decken fast 87 des textbestandes von platons euthyphron

[basiswortschatz platon zur vorbereitung auf das g wef tamu](#) - May 17 2022

web basiswortschatz platon zur vorbereitung auf das g is nearby in our digital library an online entry to it is set as public therefore you can download it instantly our digital library

[basiswortschatz platon zur vorbereitung auf das graecum by](#) - Dec 12 2021

web jul 2 2023 basiswortschatz platon zur vorbereitung auf das graecum von martin holtermann taschenbuch 19 november 2014 verkaufsrang 82235 gewöhnlich versandfertig in 24 stunden preis 15 00 bücher versandkostenfrei nach d ch und a bei drittanbietern gelten deren versandbedingungen

basiswortschatz platon griechisch schule und unterricht - Mar 27 2023

web basiswortschatz platon der basiswortschatz für das graecum enthält die ca 350 wichtigsten wörter die man für die graecumsprüfung unbedingt können sollte zusätzlich

basiswortschatz platon zur vorbereitung auf das g david - Apr 15 2022

web basiswortschatz platon zur vorbereitung auf das g if you ally need such a referred basiswortschatz platon zur vorbereitung auf das g ebook that will have the funds

basiswortschatz platon zur vorbereitung auf das graecum - May 29 2023

web der basiswortschatz für das graecum enthält die ca 350 wichtigsten wörter die man für die graecumsprüfung unbedingt können sollte zusätzlich enthalten sind viele beispielsätze sodass auch die verwendung und die konkrete richtige Übersetzung im zusammenhang geübt werden können

basiswortschatz platon zur vorbereitung auf das graecum by - Feb 11 2022

web basiswortschatz platon zur vorbereitung auf das graecum by martin holtermann platon zur vorbereitung auf das graecum by martin holtermann as one of the greater part running sellers here will wholly be accompanied by the best options to review thats something that will lead you to cognize even more in the zone of the earth insight some

basiswortschatz platon zur vorbereitung auf das graecum - Feb 23 2023

web basiswortschatz platon zur vorbereitung auf das graecum göttingen vandenhoeck ruprecht 2012 named person plato plato plato material type document

basiswortschatz platon von martin holtermann bücher de - Sep 20 2022

web der basiswortschatz für das graecum enthält die ca 350 wichtigsten wörter die man für die graecumsprüfung unbedingt können sollte zusätzlich enthalten sind viele beispielsätze sodass auch die verwendung und die konkrete richtige Übersetzung im zusammenhang geübt werden können

basiswortschatz platon zur vorbereitung auf das g - Jul 31 2023

web basiswortschatz platon zur vorbereitung auf das g platons werke i 1 berlin 1804 1817 feb 10 2022 unter friedrich schleiermachers vielfältigen leistungen sticht die

basiswortschatz platon zur vorbereitung auf das graecum - Apr 27 2023

web basiswortschatz platon zur vorbereitung auf das graecum martin holtermann isbn 9783525720011 kostenloser versand für alle bücher mit versand und verkauf duch

basiswortschatz platon zur vorbereitung auf das graecum - Sep 01 2023

web basiswortschatz platon zur vorbereitung auf das graecum martin holtermann isbn 9783525720004 kostenloser versand für alle bücher mit versand und verkauf duch

basiswortschatz platon sprach literaturwissenschaft - Dec 24 2022

web basiswortschatz platon zur vorbereitung auf das graecum martin holtermann schulbuch taschenbuch

pdf basiswortschatz platon von martin holtermann perlego - Jul 19 2022

web jetzt online mit dem lesen beginnen basiswortschatz platon und unbegrenzten zugang zu perlego s bibliothek aus akademischen texten und sachbüchern erhalten