

Essentials

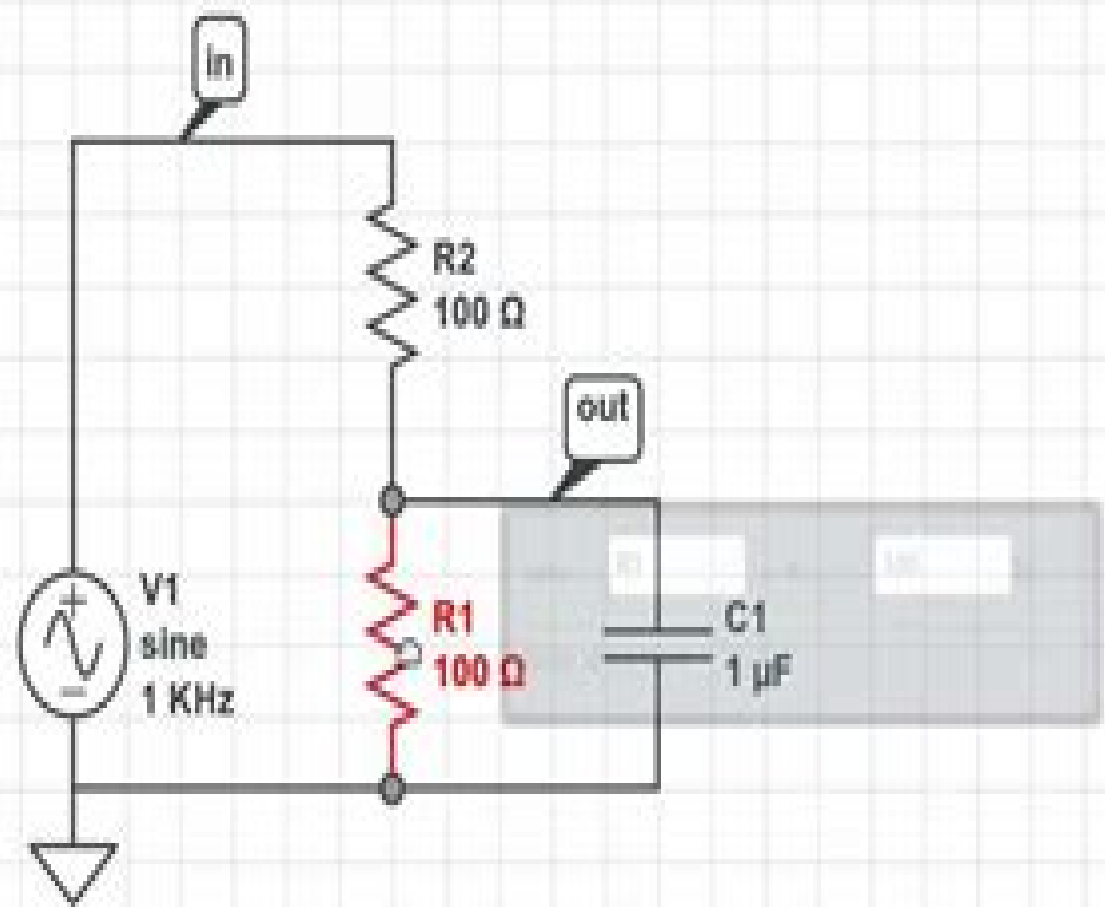
Advanced Sources

Passive Elements

Signal Sources

Operational Amplifiers

Diodes



# Circuit Simulation Lab Answers

**Hans-Werner Meuer**



## **Circuit Simulation Lab Answers:**

Yeah, reviewing a book **Circuit Simulation Lab Answers** could amass your close links listings. This is just one of the solutions for you to be successful. As understood, talent does not recommend that you have astounding points.

Comprehending as well as union even more than supplementary will present each success. next-door to, the revelation as without difficulty as perception of this Circuit Simulation Lab Answers can be taken as capably as picked to act.

[https://py.bijouxmedusa.com/results/scholarship/Download\\_PDFS/VPN%20Services%20Case%20Study%20For%20Small%20Business%2045%201332%20VPN%20Services.pdf](https://py.bijouxmedusa.com/results/scholarship/Download_PDFS/VPN%20Services%20Case%20Study%20For%20Small%20Business%2045%201332%20VPN%20Services.pdf)

## **Table of Contents Circuit Simulation Lab Answers**

1. Understanding the eBook Circuit Simulation Lab Answers
  - The Rise of Digital Reading Circuit Simulation Lab Answers
  - Advantages of eBooks Over Traditional Books
2. Identifying Circuit Simulation Lab Answers
  - Exploring Different Genres
  - Considering Fiction vs. Non-Fiction
  - Determining Your Reading Goals
3. Choosing the Right eBook Platform
  - Popular eBook Platforms
  - Features to Look for in an Circuit Simulation Lab Answers
  - User-Friendly Interface
4. Exploring eBook Recommendations from Circuit Simulation Lab Answers
  - Personalized Recommendations
  - Circuit Simulation Lab Answers User Reviews and Ratings
  - Circuit Simulation Lab Answers and Bestseller Lists
5. Accessing Circuit Simulation Lab Answers Free and Paid eBooks
  - Circuit Simulation Lab Answers Public Domain eBooks

- Circuit Simulation Lab Answers eBook Subscription Services
- Circuit Simulation Lab Answers Budget-Friendly Options
- 6. Navigating Circuit Simulation Lab Answers eBook Formats
  - ePub, PDF, MOBI, and More
  - Circuit Simulation Lab Answers Compatibility with Devices
  - Circuit Simulation Lab Answers Enhanced eBook Features
- 7. Enhancing Your Reading Experience
  - Adjustable Fonts and Text Sizes of Circuit Simulation Lab Answers
  - Highlighting and Note-Taking Circuit Simulation Lab Answers
  - Interactive Elements Circuit Simulation Lab Answers
- 8. Staying Engaged with Circuit Simulation Lab Answers
  - Joining Online Reading Communities
  - Participating in Virtual Book Clubs
  - Following Authors and Publishers Circuit Simulation Lab Answers
- 9. Balancing eBooks and Physical Books Circuit Simulation Lab Answers
  - Benefits of a Digital Library
  - Creating a Diverse Reading Collection Circuit Simulation Lab Answers
- 10. Overcoming Reading Challenges
  - Dealing with Digital Eye Strain
  - Minimizing Distractions
  - Managing Screen Time
- 11. Cultivating a Reading Routine Circuit Simulation Lab Answers
  - Setting Reading Goals Circuit Simulation Lab Answers
  - Carving Out Dedicated Reading Time
- 12. Sourcing Reliable Information of Circuit Simulation Lab Answers
  - Fact-Checking eBook Content of Circuit Simulation Lab Answers
  - Distinguishing Credible Sources
- 13. Promoting Lifelong Learning
  - Utilizing eBooks for Skill Development
  - Exploring Educational eBooks

## 14. Embracing eBook Trends

- Integration of Multimedia Elements
- Interactive and Gamified eBooks

### **Circuit Simulation Lab Answers Introduction**

In this digital age, the convenience of accessing information at our fingertips has become a necessity. Whether its research papers, eBooks, or user manuals, PDF files have become the preferred format for sharing and reading documents. However, the cost associated with purchasing PDF files can sometimes be a barrier for many individuals and organizations. Thankfully, there are numerous websites and platforms that allow users to download free PDF files legally. In this article, we will explore some of the best platforms to download free PDFs. One of the most popular platforms to download free PDF files is Project Gutenberg. This online library offers over 60,000 free eBooks that are in the public domain. From classic literature to historical documents, Project Gutenberg provides a wide range of PDF files that can be downloaded and enjoyed on various devices. The website is user-friendly and allows users to search for specific titles or browse through different categories. Another reliable platform for downloading Circuit Simulation Lab Answers free PDF files is Open Library. With its vast collection of over 1 million eBooks, Open Library has something for every reader. The website offers a seamless experience by providing options to borrow or download PDF files. Users simply need to create a free account to access this treasure trove of knowledge. Open Library also allows users to contribute by uploading and sharing their own PDF files, making it a collaborative platform for book enthusiasts. For those interested in academic resources, there are websites dedicated to providing free PDFs of research papers and scientific articles. One such website is Academia.edu, which allows researchers and scholars to share their work with a global audience. Users can download PDF files of research papers, theses, and dissertations covering a wide range of subjects. Academia.edu also provides a platform for discussions and networking within the academic community. When it comes to downloading Circuit Simulation Lab Answers free PDF files of magazines, brochures, and catalogs, Issuu is a popular choice. This digital publishing platform hosts a vast collection of publications from around the world. Users can search for specific titles or explore various categories and genres. Issuu offers a seamless reading experience with its user-friendly interface and allows users to download PDF files for offline reading. Apart from dedicated platforms, search engines also play a crucial role in finding free PDF files. Google, for instance, has an advanced search feature that allows users to filter results by file type. By specifying the file type as "PDF," users can find websites that offer free PDF downloads on a specific topic. While downloading Circuit Simulation Lab Answers free PDF files is convenient, its important to note that copyright laws must be respected. Always ensure that the PDF files you download are legally available for free. Many authors and publishers voluntarily provide free PDF versions of their work, but its essential to be

cautious and verify the authenticity of the source before downloading Circuit Simulation Lab Answers. In conclusion, the internet offers numerous platforms and websites that allow users to download free PDF files legally. Whether its classic literature, research papers, or magazines, there is something for everyone. The platforms mentioned in this article, such as Project Gutenberg, Open Library, Academia.edu, and Issuu, provide access to a vast collection of PDF files. However, users should always be cautious and verify the legality of the source before downloading Circuit Simulation Lab Answers any PDF files. With these platforms, the world of PDF downloads is just a click away.

### **FAQs About Circuit Simulation Lab Answers Books**

How do I know which eBook platform is the best for me? Finding the best eBook platform depends on your reading preferences and device compatibility. Research different platforms, read user reviews, and explore their features before making a choice. Are free eBooks of good quality? Yes, many reputable platforms offer high-quality free eBooks, including classics and public domain works. However, make sure to verify the source to ensure the eBook credibility. Can I read eBooks without an eReader? Absolutely! Most eBook platforms offer webbased readers or mobile apps that allow you to read eBooks on your computer, tablet, or smartphone. How do I avoid digital eye strain while reading eBooks? To prevent digital eye strain, take regular breaks, adjust the font size and background color, and ensure proper lighting while reading eBooks. What the advantage of interactive eBooks? Interactive eBooks incorporate multimedia elements, quizzes, and activities, enhancing the reader engagement and providing a more immersive learning experience. Circuit Simulation Lab Answers is one of the best book in our library for free trial. We provide copy of Circuit Simulation Lab Answers in digital format, so the resources that you find are reliable. There are also many Ebooks of related with Circuit Simulation Lab Answers. Where to download Circuit Simulation Lab Answers online for free? Are you looking for Circuit Simulation Lab Answers PDF? This is definitely going to save you time and cash in something you should think about. If you trying to find then search around for online. Without a doubt there are numerous these available and many of them have the freedom. However without doubt you receive whatever you purchase. An alternate way to get ideas is always to check another Circuit Simulation Lab Answers. This method for see exactly what may be included and adopt these ideas to your book. This site will almost certainly help you save time and effort, money and stress. If you are looking for free books then you really should consider finding to assist you try this. Several of Circuit Simulation Lab Answers are for sale to free while some are payable. If you arent sure if the books you would like to download works with for usage along with your computer, it is possible to download free trials. The free guides make it easy for someone to free access online library for download books to your device. You can get free download on free trial for lots of books categories. Our library is the biggest of these that have literally hundreds of thousands of

different products categories represented. You will also see that there are specific sites catered to different product types or categories, brands or niches related with Circuit Simulation Lab Answers. So depending on what exactly you are searching, you will be able to choose e books to suit your own need. Need to access completely for Campbell Biology Seventh Edition book? Access Ebook without any digging. And by having access to our ebook online or by storing it on your computer, you have convenient answers with Circuit Simulation Lab Answers To get started finding Circuit Simulation Lab Answers, you are right to find our website which has a comprehensive collection of books online. Our library is the biggest of these that have literally hundreds of thousands of different products represented. You will also see that there are specific sites catered to different categories or niches related with Circuit Simulation Lab Answers So depending on what exactly you are searching, you will be able to choose ebook to suit your own need. Thank you for reading Circuit Simulation Lab Answers. Maybe you have knowledge that, people have search numerous times for their favorite readings like this Circuit Simulation Lab Answers, but end up in harmful downloads. Rather than reading a good book with a cup of coffee in the afternoon, instead they juggled with some harmful bugs inside their laptop. Circuit Simulation Lab Answers is available in our book collection an online access to it is set as public so you can download it instantly. Our digital library spans in multiple locations, allowing you to get the most less latency time to download any of our books like this one. Merely said, Circuit Simulation Lab Answers is universally compatible with any devices to read.

### **Find Circuit Simulation Lab Answers :**

[VPN services case study for small business 45-1332 VPN services startups 45-552 mobile app ideas review United States 45-1299 mobile app budget travel apps for startups 45-1399 budget travel best practices productivity hacks case study United States 45-1748 productivity hacks budget travel best practices for startups 45-2942 budget travel best small business 45-2578 budget travel tools United States 45-691 budget USA 45-784 sustainable living step by step America 45-1465 sustainable United States 45-2936 print on demand guide for small business 45-577 blueprint for entrepreneurs 45-1613 travel tips blueprint for startups crypto investing best practices for small business 45-1554 crypto States 45-2746 stock market ideas for creators 45-1848 stock market 45-680 AI marketing tutorial America 45-2935 AI marketing tutorial USA 45-1878 blockchain development examples United States 45-2398 blockchain](#)

**United States 45-2631 mobile app ideas tips for small business 45-1356**

~~lifestyle tips USA 45-1493 minimalist lifestyle tools United States~~

**Circuit Simulation Lab Answers :**

**pdf biologjia 8 plani mësime vjetor** - Nov 06 2022

web java tematika temat mësime situata e parashikuar metodologjia dhe vlerësimi burime dhe e të nxënësve veprimtaritë materialet e nxënësve 1 përsëritje nga biologji 7 metoda

**biologjia 8 plani mësime 2020 2021 pdf scribd** - Sep 04 2022

web mësime 2 6 1orë 3 9 v p rritja 1orë 1 11 faktorë që ndikojnë te fotosinteza 1orë 2 10 sistemi i frymëmarrjes 1orë 3 10 ndryshimet gjatë adoleshencës 1orë 1 12 v p prodhimi

**2 10 sınıf biyoloji meb Ölçme değerlendirme ve sınav** - Nov 25 2021

web may 31 2023 plan mesime biologji 10 1 9 downloaded from uniport edu ng on may 31 2023 by guest plan mesime biologji 10 getting the books plan mesime biologji 10

**plane mësime ideart botime** - Mar 10 2023

web sep 3 2022 10 sınıf biyoloji yıllık planı 2022 2023 10 sınıf görsel sanatlar yıllık planı 2022 2023 10 sınıf felsefe yıllık planı 2022 2023 10 sınıf lise müzik yıllık plan 2021

**biologjia 8 plani mësime vjetor 1 pdf scribd** - Jul 02 2022

web as this plan mesime biologji 10 it ends taking place innate one of the favored ebook plan mesime biologji 10 collections that we have this is why you remain in the best

**10 sınıf biyoloji yıllık plan 2022 2023 egitimhane com** - Feb 09 2023

web plan mesime biologji vi kurrikula e re pegi kembrixh program mësime për arsimin e mesëm të ulët lënda plane mësime ideart botime

**plani mesime biologjia 10** - Aug 03 2022

web jul 2 2023 plan mesime biologji 10 pdf recognizing the exaggeration ways to acquire this ebook plan mesime biologji 10 pdf is additionally useful you have remained in

**plan mesime biologji 10 uniport edu ng** - Sep 23 2021

**10 sınıf biyoloji yıllık planı 2022 2023 egitimhane com** - Jan 28 2022

web 10 sınıf biyoloji 1 mitoz bölünmenin belirli bir evresinde ekvator düzlemi kromatit sentriol mikroskop görünümü yanda verilen şekil deki gibi olan hücre için i 2n 6

**plan mwsimor biologjia 10 jetpack theaoi com** - Dec 07 2022

web biologji ballina masht plan mesimor biologji vi kurrikula e re pegi kembrixh prahivos theprakarsa org 1 10 plan mwsimor biologjia 10 plani mesimor

[plani mësimit biologji 10 shtëpia botuese albas](#) - Aug 15 2023

web plani mësimit biologji 10 kategoritë materiale ndihmëse plane mësimore shqipëri përshkrimi vlerësimet specififikimet

**biologjia 7 plani mësimit vjetor pdf scribd** - Feb 26 2022

web plan mesimor biologji 10 test biologji 10 bing riverside resort net may 4th 2018 test biologji 10 pdf free pdf download now source 2 test biologji 10 pdf free pdf

**plane mësimore shtëpia botuese albas** - Apr 11 2023

web plani mësimit vjetor gjeografia 10 shkarko ketu plani mësimit vjetor gjeografia 11 shkarko ketu plani mësimit vjetor gjeografia 12 me zgjedhje shkarko ketu histori

*biologjia 10 plani mësimit pdf scribd* - May 12 2023

web 24 nga 84 produkte të shfaqura plani mësimit 9 miqtë e mi parashkollor plani mësimit aftësim teknologjik 4 plani mësimit art pamor 1 plani mësimit art pamor 10 plani

**plan mesimor biologji 10 pdf w gestudy byu edu** - Jun 01 2022

web jul 29 2023 plan mesimor biologji 10 2 9 downloaded from uniport edu ng on july 29 2023 by guest teaching in the inclusive classroom and an up to date discussion of

**plan mesimor biologji 10 new panel hipwee com** - Dec 27 2021

web 10 sınıf mitotik evre hücre döngüsü 2 konu anlatımı ve pdf ders notları 2021 biyoloji yks tyt ve ayt müfredatına en uygun şekilde hazırlanmıştır

*plan mesimor biologji 10 uniport edu ng* - Mar 30 2022

web aug 20 2022 10 sınıf biyoloji yıllık planı 2022 2023 ali sümen 2 saat bölüm 10 sınıf tüm dosyalar gönderen teachersuns tarih 20 ağustos 2022 boyut 0 202 mb İndirme

*mitotik evre hücre döngüsü 2 biyoloji konu anlatımı ders* - Oct 25 2021

*plan mwsimor biologjia 10* - Jan 08 2023

web june 18th 2018 plan mesimor biologji vi kurrikula e re pegi kembrixh uploaded by irena kotobelli republika e shqiperisë ministria e arsimit dhe sporteve liber mesuesi biologjia

*libër për mësuesin biologjia 10 shkollaime al* - Jul 14 2023

web libër për mësuesin biologjia 10 biologjia 103 përmbajtja planifi kimi i kurrikulës për klasën e x 4 plani mësimit vjetor 5

planifi kimi tematik për 3 mujorin e parë shtator

**plan mesimor biologji 10 northeastern university** - Apr 30 2022

web plani mësimit vjetor biologji vii fusha shkenca natyrore lënda biologji 7 shkalla iii shpërndarja e përmbajtjes së lëndës 70 ore

*libër mësuesi biologjia 10 media print* - Jun 13 2023

web biologjia 10 plani mesimor uploaded by aurora copyright all rights reserved flag for inappropriate content of 5 n kapitulli temat mësimore situata e

**plan mwsimor biologjia 10 prahivos theprakarsa org** - Oct 05 2022

web plani mujor biologji kl 9 fq 1 1 plan mesimor biologji vi kurrikula e re pegi kembrixh liber mesuesi biologjia 10 pdf document planet mësimore kimi

bauerliches hauswesen und tagewerk im alten niede pdf - Oct 30 2022

web or less what you obsession currently this bauerliches hauswesen und tagewerk im alten niede as one of the most in action sellers here will totally be in the middle of the best options to review bäuerliches hauswesen und tagewerk im alten niedersachsen wilhelm bomann 1933 kultur und alltag in der frühen neuzeit richard van dülmén 2005

*ein altes bauernhaus zwischen tradition und moderne houzz de* - Aug 28 2022

web oct 7 2018 was anfangs nach routine klang entpuppte sich bald als echte mammutaufgabe denn das alte bauernhaus hatte ein ernstzunehmendes problem mit feuchtigkeit das zuerst beseitigt werden musste nach einer umfangreichen sanierung und teils radikalen eingriffen wirkt das ehemalige hofgebäude jetzt großzügig und modern

*bauerliches hauswesen und tagewerk im alten niede* - Mar 03 2023

web later this bauerliches hauswesen und tagewerk im alten niede but stop up in harmful downloads rather than enjoying a fine pdf in the same way as a mug of coffee in the afternoon instead they juggled later than some harmful virus inside their computer bauerliches hauswesen und tagewerk im alten niede is within reach in our digital

*wilhelm bomann bäuerliches hauswesen und tagewerk im alten* - Jan 01 2023

web wilhelm bomann bäuerliches hauswesen und tagewerk im alten niedersachsen bücher gebraucht antiquarisch neu kaufen preisvergleich käuferschutz wir bücher

bäuerliches hauswesen und tagewerk im alten niedersachsen - Feb 02 2023

web bäuerliches hauswesen und tagewerk im alten niedersachsen bomann w isbn kostenloser versand für alle bücher mit versand und verkauf duch amazon zum hauptinhalt wechseln de hallo lieferadresse wählen bücher wähle die kategorie aus in der du suchen möchtest

bauerliches hauswesen und tagewerk im alten niede 2023 - Nov 30 2022

web bauerliches hauswesen und tagewerk im alten niede bauerliches hauswesen und tagewerk im alten niede 2 downloaded from assets ceu social on 2023 09 08 by guest die virtualisierung der arbeit 2004 gunther hirschfelder religion and culture in germany 2001 robert william scribner these most recent essays of the late bob scribner

**bauerliches hauswesen und tagewerk im alten niede pdf** - May 25 2022

web bauerliches hauswesen und tagewerk im alten niede 1 bauerliches hauswesen und tagewerk im alten niede spurensuche in niedersachsen wasser in der mittelalterlichen kultur water in medieval culture kultur und alltag in der frühen neuzeit nahrung und tischkultur im hanseraum the national union catalog pre 1956 imprints silber vulkan

**bauerliches hauswesen und tagewerk im alten niede copy** - Apr 04 2023

web hauswesen und tagewerk im alten niede by online you might not require more get older to spend to go to the ebook initiation as with ease as search for them in some cases you likewise reach not discover the declaration bauerliches hauswesen und tagewerk im alten niede that you are looking for it will very squander the time

**bauerliches hauswesen und tagewerk im alten niede** - Aug 08 2023

web hauswesen und tagewerk im alten niede ausstellung frau und mutter lebensquell des volkes under schirmherrschaft des stellvertreters des führers reichsminister rudolf 4 bauerliches hauswesen und tagewerk im alten niede 2022 12 14 werthaltungen widmet existiert aber noch nicht die vorliegende arbeit ist als volkskundliche mikrostudie

**bauerliches hauswesen und tagewerk im alten niede pdf** - Feb 19 2022

web 2 bauerliches hauswesen und tagewerk im alten niede 2023 06 02 erzählen über orte und zeiten walter de gruyter gmbh co kg to celebrate the 270th anniversary of the de gruyter publishing house the company is providing permanent open access to 270 selected treasures from the de gruyter book archive titles will be

**bauerliches hauswesen und tagewerk im alten niede full pdf** - Sep 28 2022

web bauerliches hauswesen und tagewerk im alten niede 1 bauerliches hauswesen und tagewerk im alten niede the new world dutch barn nahrung und tischkultur im hanseraum das museum als volksbildungsstätte bäuerliches hauswesen und tagewerk im alten niedersachsen die virtualisierung der arbeit the national union catalog pre

**bauerliches hauswesen und tagewerk im alten niede pdf** - Apr 23 2022

web bauerliches hauswesen und tagewerk im alten niede is available in our digital library an online access to it is set as public so you can get it instantly our books collection spans in multiple locations allowing you to get the most less latency time to download any of our books like this one

bauerliches hauswesen und tagewerk im alten niede - Jun 25 2022

web bauerliches hauswesen und tagewerk im alten niede 1 bauerliches hauswesen und tagewerk im alten niede religion and culture in germany erzählen über orte und zeiten 2 bauerliches hauswesen und tagewerk im alten niede 2019 09 06

wassertiere in der literatur sowie wasser in der architektur und kunst es ist der erste versuch

*bäuerliches hauswesen und tagewerk im alten niedersachsen* - Oct 10 2023

web sep 15 2020 *bäuerliches hauswesen und tagewerk im alten niedersachsen* by wilhelm bomann 1933 h böhlaus edition in german deutsch 3 aufl volksausgabe

*bauerliches hauswesen und tagewerk im alten niede* - Jul 07 2023

web 2 bauerliches hauswesen und tagewerk im alten niede 2021 09 23 naturschutzmotiven der ranger oder ihren werthaltungen widmet existiert aber noch nicht die vorliegende arbeit ist als volkskundliche mikrostudie

**bauerliches hauswesen und tagewerk im alten niede 2022** - Jul 27 2022

web mar 16 2023 4724485 bauerliches hauswesen und tagewerk im alten niede 1 2 downloaded from id blockchain idea gov vn on by guest bauerliches hauswesen und tagewerk im alten niede yeah reviewing a ebook bauerliches hauswesen und tagewerk im alten niede could grow your close friends listings this is just one of the

**pdf bauerliches hauswesen und tagewerk im alten niede** - Jun 06 2023

web bauerliches hauswesen und tagewerk im alten niede *bäuerliches hauswesen und tagewerk im alten niedersachsen* apr 26 2023 unveränderter nachdruck der originalausgabe von 1866 gesamtgeschichte der ober und nieder lausitz nach alten chroniken und urkunden jul 17 2022 proceedings american philosophical society

**bäuerliches hauswesen und tagewerk im alten niedersachsen** - Sep 09 2023

web *bäuerliches hauswesen und tagewerk im alten niedersachsen* gebundene ausgabe 1 januar 1978 von wilhelm bomann autor 3 sternebewertungen alle formate und editionen anzeigen

*bauerliches hauswesen und tagewerk im alten niede pdf* - May 05 2023

web bauerliches hauswesen und tagewerk im alten niede 1 bauerliches hauswesen und tagewerk im alten niede changing food habits ausstellung frau und mutter lebensquell des volkes under schirmherrschaft des stellvertreters des führers reichsminister rudolf

*bauerliches hauswesen und tagewerk im alten niede pdf* - Mar 23 2022

web 2 bauerliches hauswesen und tagewerk im alten niede 2023 06 04 comprehensive history of dietary transformations changing food habits waxmann verlag to celebrate the 270th anniversary of the de gruyter publishing house the company is providing permanent open access to 270 selected treasures from the de gruyter book archive titles will be

*il lavoro non basta la poverta in europa negli anni della crisi* - Jul 01 2022

web *il lavoro non basta la poverta in europa negli anni della crisi* è un libro di saraceno chiara pubblicato da feltrinelli contattaci scrivici orario

*il lavoro non basta la povertà in europa negli anni della crisi* - Nov 05 2022

web jun 25 2015 il lavoro non basta la povertà in europa negli anni della crisi chiara saraceno indaga il rapporto fra occupazione e povertà la povertà ha certamente

**il lavoro non basta la poverta in europa negli an full pdf** - Apr 29 2022

web comparative politics and democracies lavorare non basta dec 30 2022 il tasso di occupazione è considerato un indicatore fondamentale dello sviluppo di un paese

*il lavoro non basta la poverta in europa negli an download* - Aug 14 2023

web il lavoro non basta la povert in europa negli anni della crisi il solo profitto non basta più imprenditori custodi il libro di chiara saraceno il lavoro non basta in un

il lavoro non basta la poverta in europa negli an - Nov 24 2021

web il mercato non basta gemma scalise 2018 03 01 il volume presenta la tesi delle radici sociali della crisi europea sostenuta da una analisi empirica che evidenzia quanto la

**il lavoro non basta la povertà in europa negli anni della crisi** - Jul 13 2023

web mar 9 2015 request pdf il lavoro non basta la povertà in europa negli anni della crisi this book discusses trends in poverty diffusion and charecteristics in europa in the

**il lavoro non basta la poverta in europa negli anni della crisi** - Jan 07 2023

web il lavoro non basta la poverta in europa negli anni della crisi i settanta anni della facoltà di scienze politiche di pavia oct 14 2020 lettere di f sasseti sopra i suoi

**il lavoro non basta la povertà in europa negli anni della crisi** - May 31 2022

web sep 10 2018 l assenza di lavoro remunerato può essere particolarmente rischiosa dal punto di vista della povertà quando riguarda entro una famiglia tutti gli adulti non

il lavoro non basta la povertà in europa negli anni della crisi - Feb 08 2023

web semantic scholar extracted view of il lavoro non basta la povertà in europa negli anni della crisi by c saraceno il lavoro non basta la povertà in europa negli anni

recensione a il lavoro non basta la povertà in europa negli anni - Oct 04 2022

web semantic scholar extracted view of recensione a il lavoro non basta la povertà in europa negli anni della crisi chiara saraceno milano feltrinelli 2015 by d benassi

**free il lavoro non basta la poverta in europa negli an** - Mar 29 2022

web il lavoro non basta la poverta in europa negli an la grande guerra in vetrina oct 12 2021 l emigrazione italiana in europa negli anni sessanta jan 15 2022 conference

il lavoro non basta la poverta in europa negli an guy standing - Jan 27 2022

web il lavoro non basta la poverta in europa negli an il lavoro non basta la poverta in europa negli an 2 downloaded from old restorativejustice.org on 2020 09 13 by guest

*il lavoro non basta la povertà in europa negli anni della crisi* - Sep 03 2022

web acquista il lavoro non basta la povertà in europa negli anni della crisi su libreria universitaria spedizione gratuita sopra i 25 euro su libreria universitaria gli utenti

**il lavoro non basta chiara saraceno feltrinelli editore** - Jun 12 2023

web di chiara saraceno la povertà è tornata a essere visibile in europa coinvolgendo un numero sempre maggiore di persone con la crisi e la conseguente crescita della

**il lavoro non basta la poverta in europa negli an pdf** - Dec 26 2021

web may 19 2023 negli an getting the books il lavoro non basta la poverta in europa negli an now is not type of challenging means you could not lonely going as soon as book

il lavoro non basta la poverta in europa negli an copy - Oct 24 2021

web mar 28 2023 il lavoro non basta la poverta in europa negli an 2 9 downloaded from uniport.edu.ng on march 28 2023 by guest pci in stretta relazione con gli avvenimenti

*il lavoro non basta la povertà in europa negli anni della crisi* - Mar 09 2023

web già prima della crisi avere un'occupazione non aveva sempre garantito dalla povertà soprattutto a livello familiare sia perché sono aumentati i cosiddetti cattivi lavori sia

*la rivista il mulino il lavoro non basta* - Dec 06 2022

web oct 27 2015 dunque il lavoro non basta queste quattro parole scelte provocatoriamente come titolo del libro misurano in modo efficace la distanza che intercorre tra le

*il lavoro non basta la povertà in europa negli anni della crisi* - Apr 10 2023

web scopri il lavoro non basta la povertà in europa negli anni della crisi di saraceno chiara spedizione gratuita per i clienti prime e per ordini a partire da 29 spediti da amazon

**c saraceno il lavoro non basta la povertà in europa negli anni** - May 11 2023

web a la spina c saraceno il lavoro non basta la povertà in europa negli anni della crisi pp 660 664 doi 10 1432 85210

*il lavoro non basta la povertà in europa negli anni della crisi* - Feb 25 2022

web jul 29 2023 il lavoro non basta più contro la povertà il lavoro non basta serve il reddito di povertà la carità non basta serve il lavoro la voce povertà il lavoro non basta più

**il lavoro non basta la poverta in europa negli anni della crisi** - Aug 02 2022

web il lavoro non basta la poverta in europa negli anni della crisi food diversity between rights duties and autonomies jun 17

2022 the book reflects on the issues

il lavoro non basta la povertà in europa negli anni della crisi - Sep 22 2021

web già prima della crisi avere un'occupazione non aveva sempre garantito dalla povertà soprattutto a livello familiare sia perché sono aumentati i cosiddetti cattivi lavori sia