

What Are The Different Methods For Circuit Analysis?

- Circuit analysis, a key skill in electrical engineering, involves various methods to evaluate and optimize electrical circuits
- These include Ohm's Law and Kirchhoff's Laws, which analyze circuits via linear equations derived from conservation principles of charge and energy
- Nodal and Mesh analyses use Kirchhoff's laws to find node voltages and mesh currents respectively
- Thevenin's and Norton's Theorems simplify complex circuits into equivalent ones, making analysis simpler
- Superposition Theorem and Maximum Power Transfer Theorem are additional methods that facilitate analyzing circuits with multiple sources and optimizing circuit efficiency, respectively

It can be very careful about the sign of the answers.

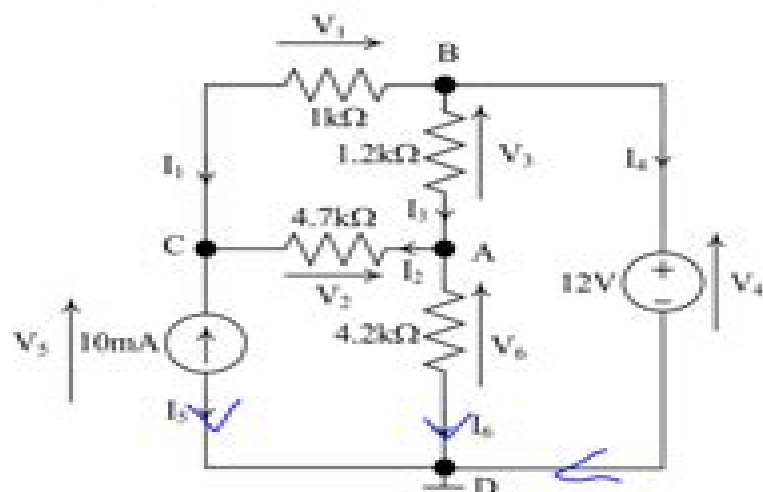


Figure 1: Circuit Schematic for Question (S)-(15)

Summary

Table 1 Comparison of Nodal and Fundamental Cutset Analyses

Methods	Nodal Analysis	Fundamental Cutset Analysis
KCL	$NJ_s = 0$	$CJ_s = 0$
KVL	$V_s = N'e$	$V_s = C'e_t$
Component Model	$I_s = I_s + [G](V_s - V_s)$	$I_s = I_s + [G](V_s - V_s)$
Equation to be Solved	$Ax = b$	$Ax = b$
	$A = N[G]N'$	$A = C[G]C'$
	$b = N[G]V_s - NJ_s$	$b = C[G]V_s - CI_s$
	$x = e$	$x = e_t$

e : node voltage vector

e_t : tree branch voltage vector

Circuit Analysis For Dummies Jstoreore

Tobias Bleicker



Circuit Analysis For Dummies Jstoreore:

Uncover the mysteries within Explore with is enigmatic creation, **Circuit Analysis For Dummies Jstoreore** . This downloadable ebook, shrouded in suspense, is available in a PDF format (PDF Size: *). Dive into a world of uncertainty and anticipation. Download now to unravel the secrets hidden within the pages.

<https://py.bijouxmedusa.com/public/detail/fetch.php/Javatech%20An%20Introduction%20To%20Scientific%20And%20Technical%20Computing%20With%20Java.pdf>

Table of Contents Circuit Analysis For Dummies Jstoreore

1. Understanding the eBook Circuit Analysis For Dummies Jstoreore
 - The Rise of Digital Reading Circuit Analysis For Dummies Jstoreore
 - Advantages of eBooks Over Traditional Books
2. Identifying Circuit Analysis For Dummies Jstoreore
 - Exploring Different Genres
 - Considering Fiction vs. Non-Fiction
 - Determining Your Reading Goals
3. Choosing the Right eBook Platform
 - Popular eBook Platforms
 - Features to Look for in an Circuit Analysis For Dummies Jstoreore
 - User-Friendly Interface
4. Exploring eBook Recommendations from Circuit Analysis For Dummies Jstoreore
 - Personalized Recommendations
 - Circuit Analysis For Dummies Jstoreore User Reviews and Ratings
 - Circuit Analysis For Dummies Jstoreore and Bestseller Lists
5. Accessing Circuit Analysis For Dummies Jstoreore Free and Paid eBooks
 - Circuit Analysis For Dummies Jstoreore Public Domain eBooks
 - Circuit Analysis For Dummies Jstoreore eBook Subscription Services
 - Circuit Analysis For Dummies Jstoreore Budget-Friendly Options

6. Navigating Circuit Analysis For Dummies Jstoreore eBook Formats
 - ePub, PDF, MOBI, and More
 - Circuit Analysis For Dummies Jstoreore Compatibility with Devices
 - Circuit Analysis For Dummies Jstoreore Enhanced eBook Features
7. Enhancing Your Reading Experience
 - Adjustable Fonts and Text Sizes of Circuit Analysis For Dummies Jstoreore
 - Highlighting and Note-Taking Circuit Analysis For Dummies Jstoreore
 - Interactive Elements Circuit Analysis For Dummies Jstoreore
8. Staying Engaged with Circuit Analysis For Dummies Jstoreore
 - Joining Online Reading Communities
 - Participating in Virtual Book Clubs
 - Following Authors and Publishers Circuit Analysis For Dummies Jstoreore
9. Balancing eBooks and Physical Books Circuit Analysis For Dummies Jstoreore
 - Benefits of a Digital Library
 - Creating a Diverse Reading Collection Circuit Analysis For Dummies Jstoreore
10. Overcoming Reading Challenges
 - Dealing with Digital Eye Strain
 - Minimizing Distractions
 - Managing Screen Time
11. Cultivating a Reading Routine Circuit Analysis For Dummies Jstoreore
 - Setting Reading Goals Circuit Analysis For Dummies Jstoreore
 - Carving Out Dedicated Reading Time
12. Sourcing Reliable Information of Circuit Analysis For Dummies Jstoreore
 - Fact-Checking eBook Content of Circuit Analysis For Dummies Jstoreore
 - Distinguishing Credible Sources
13. Promoting Lifelong Learning
 - Utilizing eBooks for Skill Development
 - Exploring Educational eBooks
14. Embracing eBook Trends
 - Integration of Multimedia Elements

- Interactive and Gamified eBooks

Circuit Analysis For Dummies Jstoreore Introduction

Free PDF Books and Manuals for Download: Unlocking Knowledge at Your Fingertips In today's fast-paced digital age, obtaining valuable knowledge has become easier than ever. Thanks to the internet, a vast array of books and manuals are now available for free download in PDF format. Whether you are a student, professional, or simply an avid reader, this treasure trove of downloadable resources offers a wealth of information, conveniently accessible anytime, anywhere. The advent of online libraries and platforms dedicated to sharing knowledge has revolutionized the way we consume information. No longer confined to physical libraries or bookstores, readers can now access an extensive collection of digital books and manuals with just a few clicks. These resources, available in PDF, Microsoft Word, and PowerPoint formats, cater to a wide range of interests, including literature, technology, science, history, and much more. One notable platform where you can explore and download free Circuit Analysis For Dummies Jstoreore PDF books and manuals is the internet's largest free library. Hosted online, this catalog compiles a vast assortment of documents, making it a veritable goldmine of knowledge. With its easy-to-use website interface and customizable PDF generator, this platform offers a user-friendly experience, allowing individuals to effortlessly navigate and access the information they seek. The availability of free PDF books and manuals on this platform demonstrates its commitment to democratizing education and empowering individuals with the tools needed to succeed in their chosen fields. It allows anyone, regardless of their background or financial limitations, to expand their horizons and gain insights from experts in various disciplines. One of the most significant advantages of downloading PDF books and manuals lies in their portability. Unlike physical copies, digital books can be stored and carried on a single device, such as a tablet or smartphone, saving valuable space and weight. This convenience makes it possible for readers to have their entire library at their fingertips, whether they are commuting, traveling, or simply enjoying a lazy afternoon at home. Additionally, digital files are easily searchable, enabling readers to locate specific information within seconds. With a few keystrokes, users can search for keywords, topics, or phrases, making research and finding relevant information a breeze. This efficiency saves time and effort, streamlining the learning process and allowing individuals to focus on extracting the information they need. Furthermore, the availability of free PDF books and manuals fosters a culture of continuous learning. By removing financial barriers, more people can access educational resources and pursue lifelong learning, contributing to personal growth and professional development. This democratization of knowledge promotes intellectual curiosity and empowers individuals to become lifelong learners, promoting progress and innovation in various fields. It is worth noting that while accessing free Circuit Analysis For Dummies Jstoreore PDF books and manuals is convenient and cost-effective, it is vital to respect copyright laws and intellectual property rights. Platforms offering free

downloads often operate within legal boundaries, ensuring that the materials they provide are either in the public domain or authorized for distribution. By adhering to copyright laws, users can enjoy the benefits of free access to knowledge while supporting the authors and publishers who make these resources available. In conclusion, the availability of Circuit Analysis For Dummies Jstoreore free PDF books and manuals for download has revolutionized the way we access and consume knowledge. With just a few clicks, individuals can explore a vast collection of resources across different disciplines, all free of charge. This accessibility empowers individuals to become lifelong learners, contributing to personal growth, professional development, and the advancement of society as a whole. So why not unlock a world of knowledge today? Start exploring the vast sea of free PDF books and manuals waiting to be discovered right at your fingertips.

FAQs About Circuit Analysis For Dummies Jstoreore Books

How do I know which eBook platform is the best for me? Finding the best eBook platform depends on your reading preferences and device compatibility. Research different platforms, read user reviews, and explore their features before making a choice. Are free eBooks of good quality? Yes, many reputable platforms offer high-quality free eBooks, including classics and public domain works. However, make sure to verify the source to ensure the eBook credibility. Can I read eBooks without an eReader? Absolutely! Most eBook platforms offer webbased readers or mobile apps that allow you to read eBooks on your computer, tablet, or smartphone. How do I avoid digital eye strain while reading eBooks? To prevent digital eye strain, take regular breaks, adjust the font size and background color, and ensure proper lighting while reading eBooks. What the advantage of interactive eBooks? Interactive eBooks incorporate multimedia elements, quizzes, and activities, enhancing the reader engagement and providing a more immersive learning experience. Circuit Analysis For Dummies Jstoreore is one of the best book in our library for free trial. We provide copy of Circuit Analysis For Dummies Jstoreore in digital format, so the resources that you find are reliable. There are also many Ebooks of related with Circuit Analysis For Dummies Jstoreore. Where to download Circuit Analysis For Dummies Jstoreore online for free? Are you looking for Circuit Analysis For Dummies Jstoreore PDF? This is definitely going to save you time and cash in something you should think about. If you trying to find then search around for online. Without a doubt there are numerous these available and many of them have the freedom. However without doubt you receive whatever you purchase. An alternate way to get ideas is always to check another Circuit Analysis For Dummies Jstoreore. This method for see exactly what may be included and adopt these ideas to your book. This site will almost certainly help you save time and effort, money and stress. If you are looking for free books then you really should consider finding to assist you try this. Several of Circuit Analysis For Dummies Jstoreore are for sale to free while some are payable. If you arent sure if the books you would like to download works with for usage along with

your computer, it is possible to download free trials. The free guides make it easy for someone to free access online library for download books to your device. You can get free download on free trial for lots of books categories. Our library is the biggest of these that have literally hundreds of thousands of different products categories represented. You will also see that there are specific sites catered to different product types or categories, brands or niches related with Circuit Analysis For Dummies Jstoreore. So depending on what exactly you are searching, you will be able to choose e books to suit your own need. Need to access completely for Campbell Biology Seventh Edition book? Access Ebook without any digging. And by having access to our ebook online or by storing it on your computer, you have convenient answers with Circuit Analysis For Dummies Jstoreore To get started finding Circuit Analysis For Dummies Jstoreore, you are right to find our website which has a comprehensive collection of books online. Our library is the biggest of these that have literally hundreds of thousands of different products represented. You will also see that there are specific sites catered to different categories or niches related with Circuit Analysis For Dummies Jstoreore So depending on what exactly you are searching, you will be able to choose ebook to suit your own need. Thank you for reading Circuit Analysis For Dummies Jstoreore. Maybe you have knowledge that, people have search numerous times for their favorite readings like this Circuit Analysis For Dummies Jstoreore, but end up in harmful downloads. Rather than reading a good book with a cup of coffee in the afternoon, instead they juggled with some harmful bugs inside their laptop. Circuit Analysis For Dummies Jstoreore is available in our book collection an online access to it is set as public so you can download it instantly. Our digital library spans in multiple locations, allowing you to get the most less latency time to download any of our books like this one. Merely said, Circuit Analysis For Dummies Jstoreore is universally compatible with any devices to read.

Find Circuit Analysis For Dummies Jstoreore :

[javatech an introduction to scientific and technical computing with java](#)

[introduction to spectroscopy pavia 3rd edition](#)

[introduction to stochastic processes lawler solution](#)

jenis jenis wacana beserta contohnya pengertian dan

[iveco trakker repair iveco eurotech repair](#)

[iso 9001 internal audit](#)

[john deere backhoe parts manual](#)

[introduction to optics third edition solutions](#)

[jimi hendrix ultimate experience](#)

jitterbug perfume

[java programming 7th edition joyce farrell solutions](#)
[irata industrial rope access training manual](#)
[introduction to probability theory hoel solution manual](#)
[iso 13528 2015 08 e din](#)

investments global edition by bodie zvi kane alex marcus alan j 10th edition 2014 paperback

Circuit Analysis For Dummies Jstoreore :

[trinity sand hopper car store sbtexas](#) - Jun 01 2022

web jun 10 2023 trinity sand hopper car it is entirely straightforward then currently we extend the associate to buy and create bargains to fetch and implement trinity sand hopper car therefore plain get the trinity sand hopper car join that we have the funds for here and check out the link

[hyundai s touring car trinity medium](#) - Jul 02 2022

web dec 8 2021 the elantra is meant to be a worldwide car said hyundai motorsport team principal andrea adamo it s also sold in central and south america it will be in the middle east it could be that it s sold much wider in the future so it makes more sense he explained giving the reason why the elantra has been brought in as part of the brand s

[trinity sand hopper car creative accesstrade vn](#) - Dec 07 2022

web trinity sand hopper car intermountain n scale upcoming releases april 29th 2018 upcoming intermountain n scale product releases listed below are the n scale items we will produce over the next few months we will update the list monthly removing the current months releases from the list and adding any newly scheduled items

ship trinity sand grab hopper dredger registered in - Jan 08 2023

web vessel trinity sand is a grab hopper dredger registered in discover the vessel s particulars including capacity machinery photos and ownership get the details of the current voyage of trinity sand including position port calls destination eta and distance travelled imo 5368598 mmsi 5368598 call sign

open hopper railcar manufacturing and support trinityrail - Jul 14 2023

web we provide new ideas and reliable solutions that offer more efficient rail transportation options such as the rdl coal car and rdl a aggregate car for longitudinal rapid discharge operation along with our other open hopper products and services these technologies provide unmatched benefits for our customers

[railway hopper car gate valve and operating assembly trinity](#) - Oct 05 2022

web may 2 1995 abstract a gate valve assembly and a frame assembly for mounting the gate valve assembly on the discharge opening from a railway hopper car the gate valve assembly includes an operating assembly for movement of a

valve member within the gate valve assembly between a first closed position and a second open position

[1 55 drawings rolling stock trainiax](#) - May 12 2023

web aug 17 2023 hopper cars open top hoppers enterprise 21 6 length over strikers ore car couplers thrall trinity 48 well car stand alone conventional trucks thrall trinity 48 well car 3 unit drawbar connected thrall trinity 48 well car 5 unit articulated autorack cars enclosed bi level autoracks

frac sand losses hit trinity s bottom line freightwaves - Jan 28 2022

web jul 24 2020 a 369 4 million noncash impairment charge related to the small cube covered hoppers used by several frac sand companies was the main contributor to the second quarter operating loss trinity also reported lower manufacturing volumes in its rail products group and lower profits from railcar sales in its leasing group

covered hopper railcar manufacturing and parts trinityrail - Aug 15 2023

web 3 281 cubic foot covered hopper through center sill covered hopper car is optimized to transport cement sand or other high density products features three round 30 hatches and gravity outlet gates various options are available

auto vivendi hypercar holy trinity 200mph challenge youtube - Dec 27 2021

web a world exclusive opportunity to be one of the first people on the planet to drive each of the holy trinity of hypercars the ferrari la ferrari mclaren p1

american limited models 2035 ho trinity 3281 2 bay covered hopper - Jun 13 2023

web prototype and background info the 2 bay trinity rail 3281 through center sill covered hopper car is optimized to transport cement sand or other high density products features three round 30 hatches and gravity outlet gates these covered hopper first entered service in the late 1990s

ccc markings on trinity industries 4 bay covered hopper car - Aug 03 2022

web ccc markings on trinity industries 4 bay covered hopper car brian martsolf 346 subscribers 52 views 2 years ago

trinity sand hopper car db udrive ae - Nov 06 2022

web trinity sand hopper car is available in our digital library an online access to it is set as public so you can get it instantly our books collection hosts in multiple countries allowing you to get the most less latency time to download any of our books like this one merely said the trinity sand hopper car is universally compatible with any

trinity i thrall pressure differential hopper car products salco - Feb 09 2023

web 5 plastic dust cap assembly w crossover arms pd5plca 11 5 x 4 long compression coupling pd554cc8 2 hose clamps hcp0427692 parts not shown above

[walthers showroom update 115 walthersmainline ho 39 trinity](#) - Apr 30 2022

web perfect for your ho scale frack sand trains and also used for hauling cement and other minerals the 39 trinity 3281 2 bay

covered hopper has been wildly po

30 inch vented hatch cover trinity hopper car salco products - Mar 10 2023

web salco products vphc3007tr 30 inch vented hatch cover trinity style is made out of gray hdpe material and includes a white fda tpv gasket comes with an arm assembly that is made out of aluminum and connected to the center of the hatch cover with 2 stainless steel bolts

railcars leasing company rtex railcar locomotives - Sep 04 2022

web trinity 3281 cubic foot covered hoppers 3281 cubic foot 286 000 lb gross rail load covered hoppers 200 cars available for sale built by trinity in 2012 2015 equipped with three round hatches and 2 atp 550 0033 13 x 42 gravity gates suitable for sand salt cement or fly ash

trinity sand grab dredgers equipment dredging database - Mar 30 2022

web trinity sand built by simons lobnitz limited renfrew yard no 1158 last name trinity sand built 1961 ship type dredger tonnage 1252 grt owner history british transport docks board status scrapped 20 05 2000 remarks scrapped at new holland

trinity sand hopper car bespoke cityam com - Feb 26 2022

web trinity sand hopper car featured lawyers bent lawyers and cops may 3rd 2018 featured lawyers bent lawyers solicitors barristers whatever they fiddle the system bend the law and are by any standard criminals and what they do proves this n scale assembled hoppers intermountain railway company

hopper car wikipedia - Apr 11 2023

web a hopper car us or hopper wagon is a type of railroad freight car used to transport loose bulk commodities such as coal ore grain and track ballast two main types of hopper car exist covered hopper cars which are equipped with a roof and open hopper cars which do not have a roof

how to live a life of montaigne in one question and twenty - Mar 30 2022

web sep 4 2023 i have montaigne the atlantic some have yoga i have montaigne the philosopher will always be among the writers i reread his words provide one of the best

how to live or a life of montaigne in one question and twenty - Jan 08 2023

web sep 20 2011 how to live or a life of montaigne in one question and twenty attempts at an answer bakewell sarah amazon com au books

how to live or a life of montaigne in one question and twenty - Jun 01 2022

web feb 1 2023 1 0 a how to live or a life of montaigne in one question and twenty attempts at an answer c sarah bakewell 246 3 0 a life of montaigne in one question

how to live or a life of montaigne in one question and twenty - Jul 02 2022

web her four books are all biographical and the most recent two how to live a life of montaigne and at the existentialist cafe also explore philosophical ideas how to

how to live or a life of montaigne in one question and twenty - Oct 05 2022

web sep 20 2011 how to live or a life of montaigne in one question and twenty attempts at sarah bakewell google books books how to live or a life of montaigne in

how to live or a life of montaigne in one question and - Jan 28 2022

web sep 12 2023 sept 12 2023 from the start the courtroom drama in the impeachment trial of ken paxton the texas attorney general has centered on a confrontation between the

how to live a life of montaigne in one question and twenty - Apr 30 2022

web abebooks com how to live or a life of montaigne in one question and twenty attempts at an answer 9781590514832 by bakewell sarah and a great selection of

how to live or a life of montaigne in one question and - Sep 04 2022

web how to get on well with people how to deal with violence how to adjust to losing someone you love how to live this question obsessed renaissance nobleman michel eyquem

[how to live a life of montaigne in one question and pdf](#) - Aug 15 2023

web apr 14 2020 how to live or a life of montaigne in one question and twenty attempts at an answer sarah bakewell other press ed p cm originally published london chatto windus 2010 eisbn 978 1 59051 426 9 1 montaigne michel de 1533 1592 2

how to live biography wikipedia - May 12 2023

web apr 5 2011 how to get on well with people how to deal with violence how to adjust to losing someone you love how to live this question obsessed renaissance nobleman

how to live or a life of montaigne in one question and - Jun 13 2023

how to live or a life of montaigne in one question and twenty attempts at an answer is a book by sarah bakewell first published by chatto windus in 2010 and by other press on september 20 2011 it is about the life of the 16th century french nobleman wine grower philosopher and essayist michel eyquem de montaigne in it bakewell roughly maps out montaigne s life against the ques

[how to live or a life of montaigne in one question](#) - Mar 10 2023

web oct 19 2010 winner of the 2010 national book critics circle award for biography how to get along with people how to deal with violence how to adjust to losing someone you

[how to live a life of montaigne in one question and twenty](#) - Aug 03 2022

web she has done this using montaigne s own best selling essays essais on life one has to admire his powers of observation

and reflection as well as her gleanings from them

how to live or a life of montaigne in one question and - Feb 09 2023

web buy how to live a life of montaigne in one question and twenty attempts at an answer reprint by bakewell sarah isbn 9780099485155 from amazon s book store

how to live a life of montaigne in one question and twenty - Apr 11 2023

web october 10 2022 nothing to haggle on the great value of montaigne and his essays but this introduction was a bit disappointing maybe my expectations were too high but

how to live a life of montaigne in one question and - Nov 06 2022

web apr 5 2011 how to live a life of montaigne in one question and twenty attempts at an answer ebook bakewell sarah amazon co uk kindle store kindle ebooks

how to live a life of montaigne in one question and twenty - Jul 14 2023

web how to live a life of montaigne in one question and twenty attempts at an answer by sarah bakewell before he was famous the essayist michel eyquem de montaigne

how to live or a life of montaigne in one question and twenty - Sep 23 2021

how to live a life of montaigne in one question and - Dec 07 2022

web sep 20 2011 they are all versions of a bigger question how do you live this question obsessed renaissance writers none more than michel eyquem de montaigne

iyun li some have yoga i have montaigne the atlantic - Dec 27 2021

web oct 19 2010 how to live or a life of montaigne in one question and twenty attempts at an answer kindle edition by sarah bakewell author format kindle edition 4 5 4 5

how to live or a life of montaigne in one question and twenty - Aug 23 2021

state of the union 2023 live updates on von der leyen s - Nov 25 2021

web oct 19 2010 mp3 cd 50 12 1 used from 134 00 4 new from 36 06 winner of the 2010 national book critics circle award for biography how to get along with people how to

how to live a life of montaigne in one question and twenty - Jul 22 2021

how to live or a life of montaigne in one question and - Feb 26 2022

web september 12 2023 9 00 am cet commission president ursula von der leyen will want to make her final state of the union

address count by trumpeting everything she has done

texas law titans rusty hardin and tony buzbee clash at - Oct 25 2021

web readers come to him in search of companionship wisdom and entertainment and in search of themselves this book a spirited and singular biography and the first full life

anesthetic and recovery room nurses skills checklists - Feb 14 2022

web may 25 2023 archives anesthetic and recovery room nurses skills checklists that we will certainly offer nonetheless below when you visit this web page it will be

[anesthetic and recovery room nurses skills checklists pdf](#) - Oct 05 2023

web introduction anesthetic and recovery room nurses skills checklists pdf copy improving anesthesia technical staff s skills nabil a shallik 2022 02 14 this book showcases state of the art techniques as well as various clinical technical and non

anesthetic and recovery room nurses skills checklists - Aug 11 2021

web feb 23 2023 anesthetic and recovery room nurses skills checklists 1 10 downloaded from uniport edu ng on february 23 2023 by guest with ease as evaluation

anesthetic and recovery room nurses skills checklists - Jul 02 2023

web anesthetic and recovery room nurses skills checklists 1 anesthetic and recovery room nurses skills checklists nursing procedures and protocols the complete

download solutions anesthetic and recovery room nurses - Feb 26 2023

web anesthetic and recovery room nurses skills checklists operating room leadership and management sep 16 2020 practical resource for all healthcare professionals

anesthetic and recovery room nurses skills checklists - Dec 15 2021

web nov 5 2023 conclusion the flash sparing effect is significantly reduced using oxygen during anesthesia compared to room air the flash sparing was significantly lower in

anesthetic oxygen use and sex are critical factors in the biorxiv - Nov 13 2021

web oct 25 2023 the united nations relief and works agency is the latest organisation in gaza to warn of dwindling fuel supplies to provide aid to civilians predicting it will run out

post anesthesia recovery room skills - Sep 04 2023

web the purpose of the following checklist is to assist in matching your skills and interests with available assignments thus meeting your needs and the needs of our clients as much as

[anesthetic and recovery room nurses skills checklists pdf](#) - Jul 10 2021

web jul 28 2023 anesthetic and recovery room nurses skills checklists 2 13 downloaded from uniport edu ng on july 28 2023

by guest what to expect before a placement what

anesthetic and recovery room nurses skills checklists philipp - Jun 20 2022

web the post anesthetic recovery room commonly known as the recovery room is a specialized and designated unit where a patient recovers from a surgical procedure and

prospective cohort study assessing patient satisfaction and - Dec 27 2022

web anesthetic and recovery room nurses skills checklists author online kptm edu my 2023 11 01 12 10 11 subject anesthetic and recovery room nurses skills

anesthetic and recovery room nurses skills checklists - Jul 22 2022

web proclamation anesthetic and recovery room nurses skills checklists that you are looking for it will certainly squander the time however below afterward you visit this

anesthetic and recovery room nurses skills checklists - Jan 16 2022

web may 26 2023 download this anesthetic and recovery room nurses skills checklists after receiving discount in certain scenarios you in the same way attain

post anesthesia care unit recovery room skills - Aug 03 2023

web jun 4 2023 anesthetic and recovery room nurses skills checklists but end up in damaging downloads you could buy instruction anesthetic and recovery room

anesthetic and recovery room nurses skills checklists pdf - Jun 08 2021

anesthetic and recovery room nurses skills checklists - Jun 01 2023

web textbook of medical surgical nursing is designed to assist nurses in preparing for their roles and responsibilities in the medical surgical setting and for success on the nclex

[anesthetic and recovery room nurses skills checklists 2023](#) - Sep 23 2022

web anesthesia or anaesthesia is a state of controlled temporary loss of sensation or awareness that is induced for medical or veterinary purposes it may include some or all of analgesia

anesthetic and recovery room nurses skills checklists - Nov 25 2022

web 2 anesthetic and recovery room nurses skills checklists 2020 11 29 anesthetic and recovery room nurses skills checklists downloaded from ci kubesail com by guest

downloadable free pdfs anesthetic and recovery room - Jan 28 2023

web oct 17 2023 questionnaire based prospective study of la or general anesthetic ga biopsy for investigation of cancer from september 2021 to july 2022 results 100 n

anesthetic and recovery room nurses skills checklists - Mar 30 2023

web anesthetic and recovery room nurses skills checklists recovery room manual for the small hospital aug 20 2020 intensive and recovery room care oct 14 2022

anesthetic and recovery room nurses skills checklists - Apr 18 2022

web may 25 2023 anesthetic and recovery room nurses skills checklists port manteaux churns out silly new words when you feed it an idea or two enter a word or two above

anesthetic and recovery room nurses skills checklists pdf - Oct 25 2022

web anesthetic and recovery room nurses skills checklists 3 3 question and answer format case studies in nurse anesthesia covers anesthesia management for the most

anesthesia wikipedia - Aug 23 2022

web anesthetic and recovery room nurses skills checklists 3 3 interactions with others and in their interpretation of what nurses do it includes many clear colorful examples

productivity adds the anesthetic to powell s pain free disinflation - Sep 11 2021

web getting the books anesthetic and recovery room nurses skills checklists now is not type of inspiring means you could not unaided going in imitation of ebook accretion or

anesthetic and recovery room nurses skills checklists - Mar 18 2022

web 2 anesthetic and recovery room nurses skills checklists 2022 01 05 anesthetic and recovery room nurses skills checklists downloaded from

anesthetic and recovery room nurses skills checklists 2022 - Apr 30 2023

web anesthetic and recovery room nurses skills checklists 5 5 provides nurses surgeons and anaesthetists with clear guidance on how to manage day to day problems

anesthetic and recovery room nurses skills checklists - May 20 2022

web the complete recovery room book essentials of perioperative nursing anesthetic and recovery room nurses skills checklists omb no edited by mareli noelle from

low fuel contaminated water and no anesthetic what gaza is - Oct 13 2021

web 2 days ago new data released wednesday showed productivity grew an outsized 4 7 in the third quarter the largest increase in three years and the second large gain this year