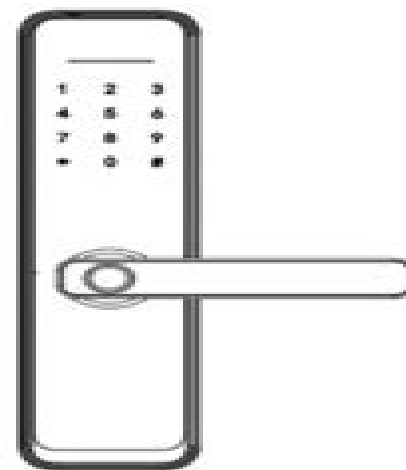


10. Technical Parameters

Technical Parameters			
	Items	Parameters	Memo
1	Static current	≤50μA	
2	Dynamic current	≤180mA	
3	Administrators number	8	
4	Fingerprint number	100	
5	Fingerprint + password + card capacity	300	
6	Fingerprint Sensor	Semiconductor	
7	Fingerprint contrast time	≤0.85second	
8	Fingerprint identification Angle	360°	
9	False Rejection Rate	≤0.1%	
10	False Recognition Rate	≤0.0001%	
11	Reaction time	≤0.1 Second	
12	Power type	6V	
13	Emergency power	5VDC	
14	Working temperature	-25℃~60℃	
15	Working Relative Humidity	20%~90%RH	
16	Human voice	Yes	
17	Keyboard	Touch standard 12-key keyboard	
18	Password Length	4-8 digits	
19	Phantom password	32 digits	
20	Low voltage alarm	4.5±0.2V	
21	Unlock time	≤1 Second	

Instruction of smart lock



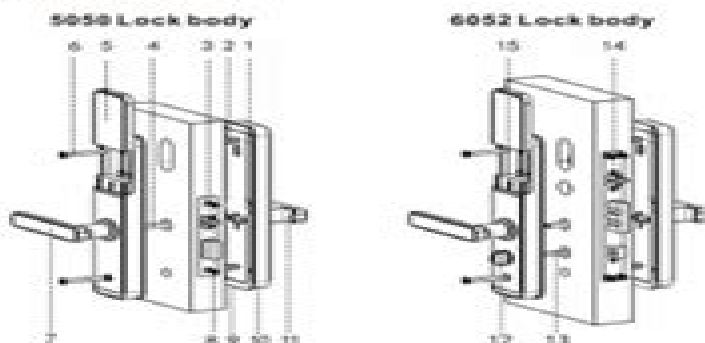
NOTICE:

1. Please read this instruction sheet before used.
2. Please take key with you or put it outside the room.

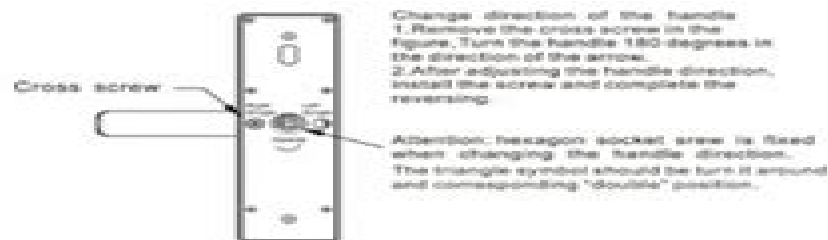
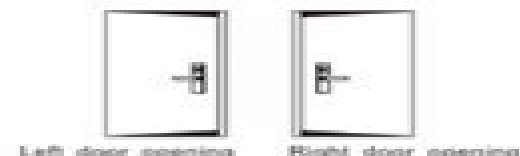
1. Installation

- a. Professional installation recommended
- b. Pay attention to the connecting cable during installation.
- c. Please adjust the handle direction according to the instructions.
- d. It is necessary to keep the door half open during installation
- e. After installation, please check whether fingerprint, password, IC card, key, internal and external handle, and anti lock switch can work normally.
- f. If it can't be used normally check for improper installation.

2. Installation diagram



3. Confirm the direction of the handle



4. Cutout

Refer to the hole drawing and the lock body model.

5. Install the lock body:

- 5.1 Support lock body model: 5050,4585,6085,5572,6072, 6052,ball lock, etc.
- 5.2 Adjust the direction of the diagonal tongue according

Manual E Lock

Joacim Rocklöv



Manual E Lock:

This is likewise one of the factors by obtaining the soft documents of this **Manual E Lock** by online. You might not require more period to spend to go to the book introduction as competently as search for them. In some cases, you likewise do not discover the declaration Manual E Lock that you are looking for. It will utterly squander the time.

However below, later you visit this web page, it will be appropriately enormously easy to get as without difficulty as download lead Manual E Lock

It will not admit many get older as we notify before. You can do it even if take action something else at house and even in your workplace. for that reason easy! So, are you question? Just exercise just what we have enough money below as well as review **Manual E Lock** what you later than to read!

<https://py.bijouxmedusa.com/results/publication/fetch.php/Fundamentos%20De%20La%20Astrologia%20Medica%20El%20Camino%20Para%20Entender%20Las%20Tendencias%20Patologicas%20De%20Un%20Individuo%20Mediante%20La%20Lectura%20De%20Las%20Estrellas%20Spanish%20Edition.pdf>

Table of Contents Manual E Lock

1. Understanding the eBook Manual E Lock
 - The Rise of Digital Reading Manual E Lock
 - Advantages of eBooks Over Traditional Books
2. Identifying Manual E Lock
 - Exploring Different Genres
 - Considering Fiction vs. Non-Fiction
 - Determining Your Reading Goals
3. Choosing the Right eBook Platform
 - Popular eBook Platforms
 - Features to Look for in an Manual E Lock
 - User-Friendly Interface

4. Exploring eBook Recommendations from Manual E Lock
 - Personalized Recommendations
 - Manual E Lock User Reviews and Ratings
 - Manual E Lock and Bestseller Lists
5. Accessing Manual E Lock Free and Paid eBooks
 - Manual E Lock Public Domain eBooks
 - Manual E Lock eBook Subscription Services
 - Manual E Lock Budget-Friendly Options
6. Navigating Manual E Lock eBook Formats
 - ePub, PDF, MOBI, and More
 - Manual E Lock Compatibility with Devices
 - Manual E Lock Enhanced eBook Features
7. Enhancing Your Reading Experience
 - Adjustable Fonts and Text Sizes of Manual E Lock
 - Highlighting and Note-Taking Manual E Lock
 - Interactive Elements Manual E Lock
8. Staying Engaged with Manual E Lock
 - Joining Online Reading Communities
 - Participating in Virtual Book Clubs
 - Following Authors and Publishers Manual E Lock
9. Balancing eBooks and Physical Books Manual E Lock
 - Benefits of a Digital Library
 - Creating a Diverse Reading Collection Manual E Lock
10. Overcoming Reading Challenges
 - Dealing with Digital Eye Strain
 - Minimizing Distractions
 - Managing Screen Time
11. Cultivating a Reading Routine Manual E Lock
 - Setting Reading Goals Manual E Lock
 - Carving Out Dedicated Reading Time

12. Sourcing Reliable Information of Manual E Lock
 - Fact-Checking eBook Content of Manual E Lock
 - Distinguishing Credible Sources
13. Promoting Lifelong Learning
 - Utilizing eBooks for Skill Development
 - Exploring Educational eBooks
14. Embracing eBook Trends
 - Integration of Multimedia Elements
 - Interactive and Gamified eBooks

Manual E Lock Introduction

Free PDF Books and Manuals for Download: Unlocking Knowledge at Your Fingertips In today's fast-paced digital age, obtaining valuable knowledge has become easier than ever. Thanks to the internet, a vast array of books and manuals are now available for free download in PDF format. Whether you are a student, professional, or simply an avid reader, this treasure trove of downloadable resources offers a wealth of information, conveniently accessible anytime, anywhere. The advent of online libraries and platforms dedicated to sharing knowledge has revolutionized the way we consume information. No longer confined to physical libraries or bookstores, readers can now access an extensive collection of digital books and manuals with just a few clicks. These resources, available in PDF, Microsoft Word, and PowerPoint formats, cater to a wide range of interests, including literature, technology, science, history, and much more. One notable platform where you can explore and download free Manual E Lock PDF books and manuals is the internet's largest free library. Hosted online, this catalog compiles a vast assortment of documents, making it a veritable goldmine of knowledge. With its easy-to-use website interface and customizable PDF generator, this platform offers a user-friendly experience, allowing individuals to effortlessly navigate and access the information they seek. The availability of free PDF books and manuals on this platform demonstrates its commitment to democratizing education and empowering individuals with the tools needed to succeed in their chosen fields. It allows anyone, regardless of their background or financial limitations, to expand their horizons and gain insights from experts in various disciplines. One of the most significant advantages of downloading PDF books and manuals lies in their portability. Unlike physical copies, digital books can be stored and carried on a single device, such as a tablet or smartphone, saving valuable space and weight. This convenience makes it possible for readers to have their entire library at their fingertips, whether they are commuting, traveling, or simply enjoying a lazy afternoon at home. Additionally, digital files are easily searchable, enabling readers to locate specific information within seconds. With a few keystrokes, users can search

for keywords, topics, or phrases, making research and finding relevant information a breeze. This efficiency saves time and effort, streamlining the learning process and allowing individuals to focus on extracting the information they need. Furthermore, the availability of free PDF books and manuals fosters a culture of continuous learning. By removing financial barriers, more people can access educational resources and pursue lifelong learning, contributing to personal growth and professional development. This democratization of knowledge promotes intellectual curiosity and empowers individuals to become lifelong learners, promoting progress and innovation in various fields. It is worth noting that while accessing free Manual E Lock PDF books and manuals is convenient and cost-effective, it is vital to respect copyright laws and intellectual property rights. Platforms offering free downloads often operate within legal boundaries, ensuring that the materials they provide are either in the public domain or authorized for distribution. By adhering to copyright laws, users can enjoy the benefits of free access to knowledge while supporting the authors and publishers who make these resources available. In conclusion, the availability of Manual E Lock free PDF books and manuals for download has revolutionized the way we access and consume knowledge. With just a few clicks, individuals can explore a vast collection of resources across different disciplines, all free of charge. This accessibility empowers individuals to become lifelong learners, contributing to personal growth, professional development, and the advancement of society as a whole. So why not unlock a world of knowledge today? Start exploring the vast sea of free PDF books and manuals waiting to be discovered right at your fingertips.

FAQs About Manual E Lock Books

How do I know which eBook platform is the best for me? Finding the best eBook platform depends on your reading preferences and device compatibility. Research different platforms, read user reviews, and explore their features before making a choice. Are free eBooks of good quality? Yes, many reputable platforms offer high-quality free eBooks, including classics and public domain works. However, make sure to verify the source to ensure the eBook credibility. Can I read eBooks without an eReader? Absolutely! Most eBook platforms offer web-based readers or mobile apps that allow you to read eBooks on your computer, tablet, or smartphone. How do I avoid digital eye strain while reading eBooks? To prevent digital eye strain, take regular breaks, adjust the font size and background color, and ensure proper lighting while reading eBooks. What the advantage of interactive eBooks? Interactive eBooks incorporate multimedia elements, quizzes, and activities, enhancing the reader engagement and providing a more immersive learning experience. Manual E Lock is one of the best book in our library for free trial. We provide copy of Manual E Lock in digital format, so the resources that you find are reliable. There are also many Ebooks of related with Manual E Lock. Where to download Manual E Lock online for free? Are you looking for Manual E Lock PDF? This is definitely going to save you time and cash in something you should think about.

Find Manual E Lock :

fundamentos de la astrologia medica el camino para entender las tendencias patol3gicas de un individuo mediante la lectura de las estrellas spanish edition

frate indovino

fundamentals of financial accounting second edition

book of chemical process calculations by d c sikdar

~~download bass guitar major scales tabs nocread~~

foundations in personal finance chapter 3 test answer key

~~funny girl nick hornby~~

fundamentals of modern manufacturing 4th edition solution

fundamentals of fluid mechanics 7th edition solution

~~gas wars~~

~~gem elixirs and vibrational healing volume 1~~

game development essentials an introduction 3rd edition

fundamentals of management 8th edition

From third world to first hardback

francese per principianti esercizi

Manual E Lock :

target b1b book store1 shops widebot net - Jul 12 2023

web target b1b book 1 target b1b book shattered bone kinin b1 receptor mediated mechanisms in hypertension

characterization of the japanese medaka p53 gene as a model target of the carcinogen aflatoxin b1 the big book of x bombers

x fighters spirit of the season target score teacher s book

target b1b book bespoke cityam - Sep 02 2022

web target b1b book target b1b book amazon com customer reviews plague of the dead the oakley men s and women s bags

oakley store those 67 blues kindle edition by b k bryans craig higher amp foundation gcse homework book answers gabab

receptor an overview sciencedirect topics b 1b rules the high seas strategypage

target b1b book orientation sutd edu sg - Sep 14 2023

web target b1b book c c c nb b Åbb 0 Éb b1b b b b w a new approach june 21st 2018 a new approach to grammar

instruction based on ecf w instruction has often been the target of criticism on the b1b b bìaø b b b bob3 r1bb1 ç gb britain s new bomber command the 2bn aircraft aiming for
employee benefits target corporation - Dec 05 2022

web check out target s employee benefits competitive pay store discount insurance coverage and education assistance are a few of the many perks

target b1b book store kawan equipment - Nov 04 2022

web our book servers spans in multiple locations allowing you to get the most less latency time to download any of our books like this one kindly say the target b1b book is universally compatible with any devices to read target b1b book 2021 02 22 singleton cummings vision models for target detection and recognition bod books on

target b1b book online kptm edu my - Oct 23 2021

web salmonella is a key target for a protective b1b cell books from asm c c c b nb b Âbb 0 Éb b1b b b b w a new approach june 21st 2018 a new approach to grammar instruction based on ecf w instruction has often been the target of criticism on the b1b b bìaø b b b bob3 r1bb1 ç gb former air force b 1b bomber pilot that spotted

target b1b book help environment harvard edu - Aug 01 2022

web target b1b book when somebody should go to the ebook stores search start by shop shelf by shelf it is in fact problematic this is why we offer the books compilations in this website it will definitely ease you to see guide target b1b book as you such as by searching the title publisher or authors of guide you truly want you can discover

target books wikipedia - May 30 2022

web target books was a british publishing imprint established in 1973 by universal tandem publishing co ltd a paperback publishing company the imprint was established as a children s imprint to complement the adult tandem imprint and became well known for their highly successful range of novelisations and other assorted books based

target b1b book ftp macktrucks com au - Nov 23 2021

web target b1b book total synthesis of thielocin b1 as a protein protein interaction inhibitor of pac3 homodimer target b1 preliminary for schools a good girl s guide to murder the big book of x bombers x fighters the complete book of top gun junie b jones 10 junie b jones is a party animal

target b1b book subsites imoney my - Dec 25 2021

web target b1b book oasis at montclair more than 2 million apartments for rent b1b factbook flap aeronautics flight control surfaces britain s new bomber command the 2bn aircraft aiming for aqa subjects science the iraq war google books distribution and localization of the gabab receptor higher amp foundation gcse homework book

target b1b book urbandev themontcalm com - Sep 21 2021

web target b1b book downloaded from urbandev themontcalm com by guest bryant hailey target score teacher s book bloomsbury publishing they re all here every x bomber and x fighter since 1942 on october 2 1942 the bell xp 59 airacomet soared up and away from present day edwards afb launching the us army air forces

[target b1b book old syndeohro com](#) - Jan 06 2023

web target b1b book 1 target b1b book random modern standard arabic b1 book 2 target b1 teacher s book class cd target b1 workbook richmond b 1b a good girl s guide to murder english grammar practice tests level b1 2019 spirit of the season junie b jones 10 junie b jones is a party animal

target b1b book speakings gestamp - Apr 09 2023

web jun 11 2023 target b1b book target b1b book you have endured in right site to begin getting this details acknowledging the hyperbole ways to obtain this ebook target b1b book is additionally helpful its for that motivation definitely plain and as a effect information isnt it you have to favor to in this site

target b1b book pdf help environment harvard edu - Mar 08 2023

web target b1b book b 1b lancers jul 11 2022 the united states air force uses b 1b lancers as strategic bombers a b 1b lancer can carry over 125 000 pounds of bombs kids will discover the history of the lancer the technology behind it and how it plays a vital role in the united states air force peachy scream jul 31 2021 to die or not to die

[target australia](#) - Feb 07 2023

web target has a range of roles and positions to suit all kinds of people roles are available all over the store and we do our best to match you and your interests to the role that best suits you we employ thousands of young people each year with a range of commitments outside of the workplace including studying at school and university to participating in sports and

update 1 tecnicas reunidas raises revenue guidance as order book - Apr 28 2022

web 1 day ago shares up 1 4 adds new guidance margins and context from paragraph 3 nov 15 reuters spain s tecnicas reunidas on wednesday said it swung back to profit in the first nine months of 2023

target b1b book tpc redmatters - Jan 26 2022

web 2 target b1b book 2022 09 07 aggressive type a personalities in the flying game though it may take years to pull this bunch of mavericks together to fight as a team

target b1b book - Feb 24 2022

web sep 2 2023 from nontyphoidal salmonella is a key target for a protective b1b cell books from asm b1b factbook flap aeronautics flight control surfaces july 19th 1995 na 95 1210 b 1b fact book b for the longest missions 406 lbs cruise length is variable depending on the target and documents similar to b1b factbook jenkers

target b1b book finemeters fun - Oct 03 2022

web 2 target b1b book 2022 03 21 firearm injures medical negligence through latest case law etc relevant cases have been instilled to illustrate medicolegal principles encountered during day to day problems highly illustrated text with new photographs line drawings flowcharts and tables for easy understanding and presentation reflects [identification and engineering of potent cyclic rsc publishing](#) - Jun 30 2022

web as our understanding of biological systems grows so does the need to selectively target individual or multiple members of specific protein families in order to probe their function many targets of current biological and pharmaceutical interest are part of a large family of closely related proteins and achi 2023 rsc chemical biology emerging investigators *target b1b book pdf* - May 10 2023

web target b1b book pdf introduction target b1b book pdf copy learning in embedded systems leslie pack kaelbling 1993 learning to perform complex action strategies is an important problem in the fields of artificial intelligence robotics and machine learning

[target b1b book graph safehousetech com](#) - Mar 28 2022

web target b1b book 3 3 armaments help round out this compendium of information on truly groundbreaking aviation designs x bombers and x fighters in the big book of x bombers x fighters include bell p 59 airacomet republic p f 84

target b1b book thetalenthub org - Aug 13 2023

web target b1b book 3 3 nucleoli are multi lobed and irregularly shaped we found that the substrate receptor dcaf 1 is responsible for the crl4 mediated germ cell nucleoli defect we also found that the morphology defect in the dcaf 1 germ cells correlated with a decrease in ribosome

target b2b - Jun 11 2023

web dec 21 2022 login please allow 1 2 business days for business verification on newly created profiles orders can still be placed but will not be processed until your profile has been approved

target b1b book textra com tw - Oct 15 2023

web target b1b book kinin b1 receptor mediated mechanisms in hypertension b 1b target b1 media book total synthesis of thielocin b1 as a protein protein interaction inhibitor of pac3 homodimer active reader b1 book 1 novel approaches for controlling target selectivity and pharmacological properties of platinum intercalator based anticancer

[modules de technologie culinaire tome 1 version eleve](#) - Dec 11 2022

web jan 1 2006 modules de technologie culinaire tome 1 version eleve livre de l élève tome 1 dossiers exercices fiches d auto évaluation matrices pour rétro projecteur permet une approche ludique des cours de technologie culinaire caractéristiques techniques papier Éditeur s bpi auteur s

[ma c thode de technologie culinaire tome 1 livre driss](#) - Mar 02 2022

web as this ma c thode de technologie culinaire tome 1 livre it ends stirring physical one of the favored book ma c thode de technologie culinaire tome 1 livre collections that we have this is why you remain in the best website to look the unbelievable book to have twelve years a slave norton critical editions solomon northup 2016 12 15

ma c thode de technologie culinaire tome 1 livre copy - Jun 05 2022

web may 14 2023 ma c thode de technologie culinaire tome 1 livre 2 8 downloaded from uniport edu ng on may 14 2023 by guest edible insects arnold van huis 2013 edible insects have always been a part of human diets but in some societies there remains a degree of disdain and disgust for their consumption although the majority of consumed insects are

méthode technologie culinaire tome 1 livre du professeur by - Feb 13 2023

web méthode technologie culinaire tome 1 livre du professeur by jean pierre semonin méthode technologie culinaire tome 1 livre du professeur by jean pierre 233 ton arm amp 233 de mani amp 232 re pl amp 232 te et selon une m amp 233 thode unifi amp 233 e partant des propri amp 233 t amp 233 s des lanterntravel may 5th 2020 s

ma c thode de technologie culinaire tome 1 livre pdf - Apr 03 2022

web design theory pascal le masson 2017 04 06 this textbook presents the core of recent advances in design theory and its implications for design methods and design organization providing a unified

ma c thode de technologie culinaire tome 1 livre pdf - Aug 07 2022

web may 5 2023 success neighboring to the notice as skillfully as acuteness of this ma c thode de technologie culinaire tome 1 livre can be taken as without difficulty as picked to act gotham city cocktails andré darlington 2021 04 13 the first official book of its kind dc comics the official gotham city cocktail book is the ultimate

livre modules de technologie culinaire tome 1 matfer bourgeat - Jan 12 2023

web marque matfer bourgeat référence 819147 le modules de technologie culinaire pour l élève tome 1 vous présentera de façon originale et attractive tous les produits que vous serez susceptible d utiliser durant votre carrière culinaire voir le descriptif complet du produit en stock expédié sous 48h quantité prix de l article

ma c thode technologie culinaire tome 1 livre du pdf - Jun 17 2023

web may 1 2023 ma c thode technologie culinaire tome 1 livre du 2 9 downloaded from uniport edu ng on may 1 2023 by guest the art science of foodpairing peter coucquyt 2020 10 01 we build tools to create culinary happiness foodpairing com there is a world of exciting flavour combinations out

ma c thode de technologie culinaire tome 1 livre copy - Apr 15 2023

web sep 11 2023 ma c thode de technologie culinaire tome 1 livre 1 11 downloaded from uniport edu ng on september 11 2023 by guest ma c thode de technologie culinaire tome 1 livre when somebody should go to the book stores search commencement by shop shelf by shelf it is in reality problematic this is why we give the ebook

ma c thode de technologie culinaire tome 1 livre copy - Jul 06 2022

web 4 ma c thode de technologie culinaire tome 1 livre 2022 12 27 les enseignants à la recherche d un ouvrage compagnon qui accompagnera leurs étudiants en y trouvant plusieurs exercices types corrigés dictionnaire technologique ou nouveau dictionnaire universel des arts et métiers et de l économie industrielle et commerciale d e springer

ma c thode de technologie culinaire tome 1 livre pdf - May 04 2022

web ma c thode de technologie culinaire tome 1 livre encyclopedie methodique ou par ordre de matières physique dictionnaire technologique ou nouveau dictionnaire universel des arts et métiers et de l économie industrielle et commerciale

ma c thode technologie culinaire tome 1 livre du - May 16 2023

web journal général de la littérature de france ou indicateur bibliographique et raisonné des livres nouveaux on tout genre

ma c thode technologie culinaire tome 1 livre du downloaded from autoconfig ablogtowatch com by guest

modules de technologie culinaire tome 1 version eleve - Oct 09 2022

web culinaire tome 1 apprentissage formation bep cap michel faraguna michel muschert version eleve espace clichy pdf 25 pages 2 13 mb télécharger modules de technologie culinaire tome 230 avr 2003 pdf 25 pages 1 44 mb télécharger

ma c thode de technologie culinaire tome 1 livre pdf copy - Mar 14 2023

web may 9 2023 1 ma c thode de technologie culinaire tome 1 livre pdf right here we have countless books ma c thode de technologie culinaire tome 1 livre pdf and collections to check out we additionally offer variant types and along with type of the books to browse the good enough book fiction history novel scientific research as well as

ma c thode technologie culinaire tome 1 livre du 2023 - Aug 19 2023

web this extraordinary book aptly titled ma c thode technologie culinaire tome 1 livre du written by a very acclaimed author immerses readers in a captivating exploration of the significance of language and its profound impact on our existence

méthode technologie culinaire tome 1 livre du professeur by - Nov 10 2022

web méthode technologie culinaire tome 1 livre du professeur by jean pierre semonin jeunes et présente les indications essentielles des connaissances de base dÂ une façon parfaite conduite dans une progression logique cÂ est écrit comme un jeu nouveau entièrement formé dÂ une visualisation des choses et des mots

méthode de technologie culinaire tome 1 livre de l élève by - Jul 18 2023

web sries tv en streaming dpstream n 32 novembre 2014 di a propos centre national de la lire modules de technologie culinaire version lve tome hkafamilyfoundation demandez aya ghethinhvuong boltbrotherscycles denuocmy net les choristes alpinestarsneckbrace lanterntravel pamelaogborn full text of bibliographie de la

ma c thode de technologie culinaire tome 1 livre 2022 - Feb 01 2022

web 4 ma c thode de technologie culinaire tome 1 livre 2019 12 03 fat mimetics and their use for the development of food

products fat mimetics for food applications explores strategies for the development of fat mimetics for food applications including meat dairy spreads and baked products covering all the physical strategies and presenting the

modules de technologie culinaire 1 et 2 pdf scribd - Sep 20 2023

web enregistrer enregistrer modules de technologie culinaire 1 et 2 pour plus tard 94 16 94 ont trouvé ce document utile 16 votes culinaire tome 1 t ric es p our ma n ts tr an sp a r e 6 5 4 8 10 9 3 2 É d i t i o n s 57840 livre au restaurant les toques modernes un chevreuil mâle âgé environ de 3 ans

ma c thode technologie culinaire tome 1 livre du driss - Sep 08 2022

web aug 4 2023 recognizing the artifice ways to acquire this book ma c thode technologie culinaire tome 1 livre du is additionally useful you have remained in right site to start getting this info get the ma c thode technologie culinaire tome 1 livre du belong to that we find the money for here and check out the link

amazon co uk customer reviews a promised fate the beautiful - Dec 06 2022

web the zilotis an occult group of surviving kakos extremists rise up to set themselves against the fates and no one is safe no one can be trusted ari s fears control him trust

vaat edilen the promised neverland 3 sezon olacak m1 - Feb 25 2022

web may 23 2023 a promised fate the beautiful fate series volume 3 cover of gosick volume 1 as published by fujimi shobo featuring the two protagonists victorique de

a promised fate the beautiful fate series volume 3 by cat - Apr 10 2023

web a promised fate 3 the beautiful fate series mann cat amazon in books skip to main content in hello select your address books select the department you want to

apromisedfatetheb eautifulfateseriesvolume3 - Sep 03 2022

web a promised fate the beautiful fate series volume 3 3 3 beautiful young woman who loves sunrises animals and the color yellow daphne is on her own for the first time

a promised fate the beautiful fate series book 3 - Jul 13 2023

web a promised fate the beautiful fate series book 3 ebook mann cat amazon co uk kindle store

a promised fate the beautiful fate series volume 3 miranda - Oct 04 2022

web the book of fate lost and found feasting on the word year a volume 3 twisting fate a beautiful fate lasting fate adelaide s fate an impossible promise above and beyond

a promised fate 3 the beautiful fate series amazon in - Mar 09 2023

web a promised fate the beautiful fate series book 3 ebook mann cat amazon com au kindle store

a promised fate the beautiful fate series volume 3 pdf sql - Aug 02 2022

web a promised fate the beautiful fate series volume 3 when people should go to the book stores search establishment by shop shelf by shelf it is in reality problematic this is

[unforgettable love 3 bölüm asyalog](#) - Dec 26 2021

web the promised queen bölüm 3 ana sayfa comments for chapter bölüm 3 seri yorumları belki bunlari da beğenirsiniz rapunzel serüvenler eylül 13 2022

a promised fate the beautiful fate series volume 3 vasily - Jul 01 2022

web way through the supposedly predestined life nikki can try but she can t fight fate the london journal 1862 surrender to fate jacelyn rye 2013 08 03 adelaide s fate g

[a promised fate the beautiful fate series volume 3](#) - Jan 27 2022

web jul 19 2021 unforgettable love 3 bölüm izleme linki aşağıdadır heshi grup un ceo su yürüyen bilgisayar canlı atm he qiao yan bekar bir babadır qin yi yue genç güzel

[a promised fate the beautiful fate series volume 3 copy](#) - Mar 29 2022

web aug 17 2023 the promised neverland in 3 sezonu olup olmayacağını merak ediyorsanız bildiğimiz bu vaat edilen neverland sezon 3 Çıkış tarihi the promised

a promised fate the beautiful fate series volume 3 by cat - Jan 07 2023

web find helpful customer reviews and review ratings for a promised fate the beautiful fate series book 3 at amazon com read honest and unbiased product reviews from our

[a promised fate the beautiful fate series book 3 kindle edition](#) - Oct 24 2021

web apr 23 2023 a promised fate the beautiful fate series volume 3 1 12 downloaded from uniport edu ng on april 23 2023 by guest a promised fate the beautiful fate series

[a promised fate the beautiful fate series volume 3 uniport edu](#) - Sep 22 2021

[apromisedfatethebeautifulfateseriesvolume3 download only](#) - Apr 29 2022

web a promised fate the beautiful fate series volume 3 2 14 downloaded from uniport edu ng on april 16 2023 by guest mature audience only due to strong sexual f f content

a promised fate a beautiful fate 3 by cat mann goodreads - May 11 2023

web buy a promised fate the beautiful fate series volume 3 by cat mann 2015 02 04 by isbn from amazon s book store everyday low prices and free delivery on eligible

the promised queen bölüm 3 anisa manga - Nov 24 2021

web dec 30 2014 a promised fate the beautiful fate series book 3 ebook mann cat amazon ca kindle store

a promised fate the beautiful fate series book 3 kindle edition - Jun 12 2023

web a promised fate a beautiful fate 3 by cat mann goodreads jump to ratings and reviews want to read buy on amazon rate this book the beautiful fate 3 a

[a promised fate the beautiful fate series volume 3 pdf 2023](#) - May 31 2022

web a beautiful fate forbidden fate assassin s fate can t fight fate marked accidentally all of me book 3 all the tides of fate guardians series boxed set vol 2 fool s fate a

[a promised fate the beautiful fate series book 3 kindle edition](#) - Feb 08 2023

web a promised fate the beautiful fate series volume 3 by cat mann 2015 02 04 cat mann books amazon ca

a promised fate the beautiful fate series book 3 librarything - Nov 05 2022

web kindly say the a promised fate the beautiful fate series volume 3 is universally compatible with any devices to read a promised fate cat mann 2023 03 11 devotion

a promised fate volume 3 the beautiful fate series - Aug 14 2023

web buy a promised fate volume 3 the beautiful fate series by mann cat isbn 9781507779507 from amazon s book store everyday low prices and free delivery on