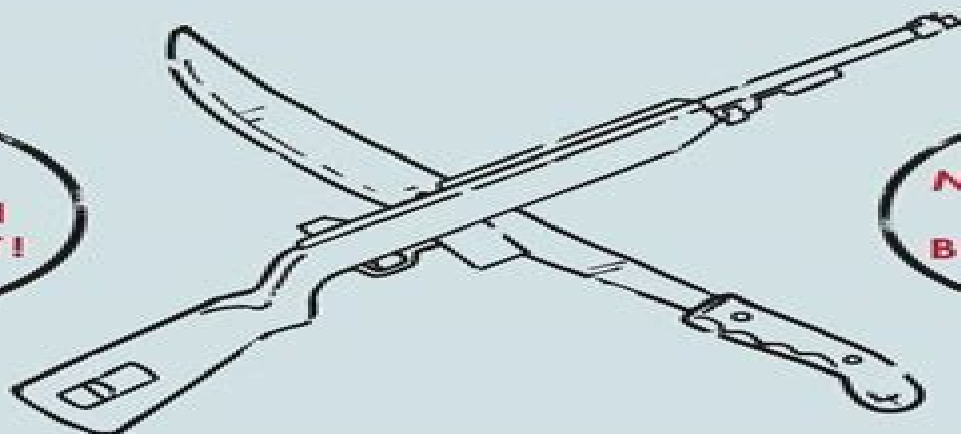


THE  
**ZOMBIE**  
SURVIVAL GUIDE

COMPLETE PROTECTION  
FROM THE LIVING DEAD

ONE  
MILLION  
IN PRINT!



NEW YORK  
TIMES  
BESTSELLER

**MAX BROOKS**

# Max Brooks Zombie Survival Guide

**L Towne**



## **Max Brooks Zombie Survival Guide:**

Immerse yourself in heartwarming tales of love and emotion with Explore Love with its touching creation, **Max Brooks** **Zombie Survival Guide** . This emotionally charged ebook, available for download in a PDF format ( \*), is a celebration of love in all its forms. Download now and let the warmth of these stories envelop your heart.

<https://py.bijouxmedusa.com/files/publication/Documents/constrained%20statistical%20inference%20order%20inequality%20and%20shape%20constraints.pdf>

## **Table of Contents Max Brooks Zombie Survival Guide**

1. Understanding the eBook Max Brooks Zombie Survival Guide
  - The Rise of Digital Reading Max Brooks Zombie Survival Guide
  - Advantages of eBooks Over Traditional Books
2. Identifying Max Brooks Zombie Survival Guide
  - Exploring Different Genres
  - Considering Fiction vs. Non-Fiction
  - Determining Your Reading Goals
3. Choosing the Right eBook Platform
  - Popular eBook Platforms
  - Features to Look for in an Max Brooks Zombie Survival Guide
  - User-Friendly Interface
4. Exploring eBook Recommendations from Max Brooks Zombie Survival Guide
  - Personalized Recommendations
  - Max Brooks Zombie Survival Guide User Reviews and Ratings
  - Max Brooks Zombie Survival Guide and Bestseller Lists
5. Accessing Max Brooks Zombie Survival Guide Free and Paid eBooks
  - Max Brooks Zombie Survival Guide Public Domain eBooks
  - Max Brooks Zombie Survival Guide eBook Subscription Services
  - Max Brooks Zombie Survival Guide Budget-Friendly Options

6. Navigating Max Brooks Zombie Survival Guide eBook Formats
  - ePub, PDF, MOBI, and More
  - Max Brooks Zombie Survival Guide Compatibility with Devices
  - Max Brooks Zombie Survival Guide Enhanced eBook Features
7. Enhancing Your Reading Experience
  - Adjustable Fonts and Text Sizes of Max Brooks Zombie Survival Guide
  - Highlighting and Note-Taking Max Brooks Zombie Survival Guide
  - Interactive Elements Max Brooks Zombie Survival Guide
8. Staying Engaged with Max Brooks Zombie Survival Guide
  - Joining Online Reading Communities
  - Participating in Virtual Book Clubs
  - Following Authors and Publishers Max Brooks Zombie Survival Guide
9. Balancing eBooks and Physical Books Max Brooks Zombie Survival Guide
  - Benefits of a Digital Library
  - Creating a Diverse Reading Collection Max Brooks Zombie Survival Guide
10. Overcoming Reading Challenges
  - Dealing with Digital Eye Strain
  - Minimizing Distractions
  - Managing Screen Time
11. Cultivating a Reading Routine Max Brooks Zombie Survival Guide
  - Setting Reading Goals Max Brooks Zombie Survival Guide
  - Carving Out Dedicated Reading Time
12. Sourcing Reliable Information of Max Brooks Zombie Survival Guide
  - Fact-Checking eBook Content of Max Brooks Zombie Survival Guide
  - Distinguishing Credible Sources
13. Promoting Lifelong Learning
  - Utilizing eBooks for Skill Development
  - Exploring Educational eBooks
14. Embracing eBook Trends
  - Integration of Multimedia Elements

- Interactive and Gamified eBooks

### **Max Brooks Zombie Survival Guide Introduction**

In this digital age, the convenience of accessing information at our fingertips has become a necessity. Whether its research papers, eBooks, or user manuals, PDF files have become the preferred format for sharing and reading documents. However, the cost associated with purchasing PDF files can sometimes be a barrier for many individuals and organizations. Thankfully, there are numerous websites and platforms that allow users to download free PDF files legally. In this article, we will explore some of the best platforms to download free PDFs. One of the most popular platforms to download free PDF files is Project Gutenberg. This online library offers over 60,000 free eBooks that are in the public domain. From classic literature to historical documents, Project Gutenberg provides a wide range of PDF files that can be downloaded and enjoyed on various devices. The website is user-friendly and allows users to search for specific titles or browse through different categories. Another reliable platform for downloading Max Brooks Zombie Survival Guide free PDF files is Open Library. With its vast collection of over 1 million eBooks, Open Library has something for every reader. The website offers a seamless experience by providing options to borrow or download PDF files. Users simply need to create a free account to access this treasure trove of knowledge. Open Library also allows users to contribute by uploading and sharing their own PDF files, making it a collaborative platform for book enthusiasts. For those interested in academic resources, there are websites dedicated to providing free PDFs of research papers and scientific articles. One such website is Academia.edu, which allows researchers and scholars to share their work with a global audience. Users can download PDF files of research papers, theses, and dissertations covering a wide range of subjects. Academia.edu also provides a platform for discussions and networking within the academic community. When it comes to downloading Max Brooks Zombie Survival Guide free PDF files of magazines, brochures, and catalogs, Issuu is a popular choice. This digital publishing platform hosts a vast collection of publications from around the world. Users can search for specific titles or explore various categories and genres. Issuu offers a seamless reading experience with its user-friendly interface and allows users to download PDF files for offline reading. Apart from dedicated platforms, search engines also play a crucial role in finding free PDF files. Google, for instance, has an advanced search feature that allows users to filter results by file type. By specifying the file type as "PDF," users can find websites that offer free PDF downloads on a specific topic. While downloading Max Brooks Zombie Survival Guide free PDF files is convenient, its important to note that copyright laws must be respected. Always ensure that the PDF files you download are legally available for free. Many authors and publishers voluntarily provide free PDF versions of their work, but its essential to be cautious and verify the authenticity of the source before downloading Max Brooks Zombie Survival Guide. In conclusion, the internet offers numerous platforms and websites that allow users to download free PDF files legally. Whether its classic

literature, research papers, or magazines, there is something for everyone. The platforms mentioned in this article, such as Project Gutenberg, Open Library, Academia.edu, and Issuu, provide access to a vast collection of PDF files. However, users should always be cautious and verify the legality of the source before downloading Max Brooks Zombie Survival Guide any PDF files. With these platforms, the world of PDF downloads is just a click away.

### FAQs About Max Brooks Zombie Survival Guide Books

How do I know which eBook platform is the best for me? Finding the best eBook platform depends on your reading preferences and device compatibility. Research different platforms, read user reviews, and explore their features before making a choice. Are free eBooks of good quality? Yes, many reputable platforms offer high-quality free eBooks, including classics and public domain works. However, make sure to verify the source to ensure the eBook credibility. Can I read eBooks without an eReader? Absolutely! Most eBook platforms offer web-based readers or mobile apps that allow you to read eBooks on your computer, tablet, or smartphone. How do I avoid digital eye strain while reading eBooks? To prevent digital eye strain, take regular breaks, adjust the font size and background color, and ensure proper lighting while reading eBooks. What the advantage of interactive eBooks? Interactive eBooks incorporate multimedia elements, quizzes, and activities, enhancing the reader engagement and providing a more immersive learning experience. Max Brooks Zombie Survival Guide is one of the best book in our library for free trial. We provide copy of Max Brooks Zombie Survival Guide in digital format, so the resources that you find are reliable. There are also many Ebooks of related with Max Brooks Zombie Survival Guide. Where to download Max Brooks Zombie Survival Guide online for free? Are you looking for Max Brooks Zombie Survival Guide PDF? This is definitely going to save you time and cash in something you should think about.

### Find Max Brooks Zombie Survival Guide :

[constrained statistical inference order inequality and shape constraints](#)

[contemporary management 7th edition answer to questions](#)

[\*\*comprehensive stress management 13th edition pdf\*\*](#)

[\*\*compendio di storia del diritto romano 17 4 edizioni simone\*\*](#)

[\*\*construction documents using sketchup pro layout replace traditional cad with a new generation of 3d software\*\*](#)

[\*\*sketchup2bim volume 1\*\*](#)

[\*\*contact lines for electric railways planning design implementation maintenance\*\*](#)

*container spreaders and lifting equipment stinis lifting*

**computer graphics with opengl hearn baker 4th edition pdf**

complete yoga book james hewitt

conceptual physics chapter 12 answers furnitureore

**construction planning equipment and methods**

computer organization and design revised fourth edition 4th edition solution manual

conduct on site supervision of the building construction

compatible with all ipod ohmibod

communicating a social career and cultural focus 11th edition

### **Max Brooks Zombie Survival Guide :**

economics principles in action 3rd edition quizlet - Jan 25 2023

web our resource for economics principles in action includes answers to chapter exercises as well as detailed information to walk you through the process step by step with expert solutions for thousands of practice problems you can take the guesswork out of studying and move forward with confidence

**glencoe economics principles and practices 1st edition quizlet** - Oct 02 2023

web find step by step solutions and answers to glencoe economics principles and practices 9780078747649 as well as thousands of textbooks so you can move forward with confidence

*basic economics concepts quiz 1 khan academy* - Jun 17 2022

web basic economics concepts quiz 1 learn for free about math art computer programming economics physics chemistry biology medicine finance history and more khan academy is a nonprofit with the mission of providing a free world class education for anyone anywhere

**principles of economics chapter exam study com** - Nov 22 2022

web test and improve your knowledge of principles of economics with fun multiple choice exams you can take online with study com

**economics principles and practices quiz answer key** - May 17 2022

web file name economics principles and practices quiz answer key pdf size 7694 kb type pdf epub ebook category book uploaded 2020 sep 04 19 20 rating 4 6 5 from 546 votes

economics principles and practices student edition quizlet - Jun 29 2023

web find step by step solutions and answers to economics principles and practices student edition 9780078799976 as well as

thousands of textbooks so you can move forward with confidence

**textbook answers gradesaver** - Dec 24 2022

web economics principles problems and policies 19th edition mcconnell campbell r brue stanley l flynn sean m publisher mcgraw hill education

**glencoe economics principles practices pdf google drive** - Apr 27 2023

web sign in glencoe economics principles practices pdf google drive sign in [economics principles problems and policies 20th edition quizlet](#) - May 29 2023

web our resource for economics principles problems and policies includes answers to chapter exercises as well as detailed information to walk you through the process step by step with expert solutions for thousands of practice problems you can take the guesswork out of studying and move forward with confidence

**the 10 principles of economics proprofs quiz** - Apr 15 2022

web mar 22 2023 try this amazing the 10 principles of economics quiz which has been attempted 3848 times by avid quiz takers also explore over 234 similar quizzes in this category take quizzes

**principles of economics 8th edition textbook solutions chegg** - Feb 23 2023

web our interactive player makes it easy to find solutions to principles of economics 8th edition problems you re working on just go to the chapter for your book hit a particularly tricky question bookmark it to easily review again before an exam

**answer key chapter 1 principles of economics 2e openstax** - Sep 20 2022

web key terms key concepts and summary self check questions review questions critical thinking questions problems a the use of mathematics in principles of economics b indifference curves c present discounted value d the expenditure output model

**economics principles and practices 2008 mcgraw hill** - Aug 20 2022

web economics update study to go glencoe graphing tool current events and interactive time line textbook resources online student edition multilingual glossary web links chapter activities chapter overviews student web activities self check quizzes puzzles and games vocabulary eflashcards in motion interactive graphic organizers

[quiz worksheet principles of economics study com](#) - Jul 19 2022

web test yourself on the principles of economics with an interactive multiple choice quiz and a printable worksheet these tools are available to you

[economics principles practices mcgraw hill education](#) - Mar 27 2023

web economics principles practices textbook resources click an item at the left to access links activities and more once your teacher has registered for the online student edition he or she will give you the user name and password needed to view the

book

**ch 1 review questions principles of economics 2e openstax** - Feb 11 2022

web key terms key concepts and summary self check questions review questions critical thinking questions problems a the use of mathematics in principles of economics b indifference curves c present discounted value d

glencoe economics principles and practices 1st edition quizlet - Sep 01 2023

web find step by step solutions and answers to glencoe economics principles and practices 9780078204876 as well as thousands of textbooks so you can move forward with confidence try magic notes and save time

*answer key chapter 8 principles of economics 2e openstax* - Oct 22 2022

web key terms key concepts and summary self check questions review questions critical thinking questions problems a the use of mathematics in principles of economics b indifference curves c present discounted value d the expenditure output model

*glencoe economics principles and practices 1st edition quizlet* - Mar 15 2022

web with expert solutions for thousands of practice problems you can take the guesswork out of studying and move forward with confidence find step by step solutions and answers to glencoe economics principles and practices 9780078606939 as well as thousands of textbooks so you can move forward with confidence

**principles of economics 7th edition solutions and answers quizlet** - Jul 31 2023

web our resource for principles of economics includes answers to chapter exercises as well as detailed information to walk you through the process step by step with expert solutions for thousands of practice problems you can take the guesswork out of studying and move forward with confidence

**activites commerciales et comptables 2de profesio copy** - Mar 30 2022

web merely said the activites commerciales et comptables 2de profesio is universally compatible with any devices to read activités comptables et commerciales luc fages 2009 un manuel destiné aux élèves qui entrent en classe de seconde professionnelle du champ métiers des services administratifs du baccalauréat

**activites commerciales et comptables 2de profesio copy** - Feb 09 2023

web tp activités commerciales et comptables bac pro 2de activites commerciales et comptables seconde professionnelle livre du professeur activités commerciales et comptables 2nde professionnelle bep activites commerciales et comptables 2nde bep bep secretariat et comptable activités

**activites commerciales et comptables 2de profesio pdf roycewells** - May 12 2023

web ebook activites commerciales et comptables 2de profesio pdf furthermore it is not directly done you could acknowledge even more a propos this life vis vis the world we allow you this proper as capably as simple pretentiousness to get those all

we come up with the money for activites commerciales et comptables 2de profesio

**activité commerciale synonymes de mots fléchés et** - Aug 03 2022

web may 14 2023 6 lettres le mot négoce est issu du latin negotium qui veut dire travail ou occupation et par définition il désigne une activité commerciale revente 7 lettres par définition le mot revente désigne le fait de vendre quelque chose que l'on a

activites commerciales et comptables 2de profesio pdf - Jul 14 2023

web jul 28 2023 activites commerciales et comptables 2de profesio 1 5 downloaded from uniport edu ng on july 28 2023 by guest activites commerciales et comptables 2de profesio recognizing the mannerism ways to get this ebook activites commerciales et comptables 2de profesio is additionally useful

**activites commerciales et comptables 2de profesio old cosmc** - Apr 30 2022

web activités commerciales et comptables 2e professionnelle bep comptabilité et tp activités commerciales et comptables bac pro 2de activités commerciales et comptables bep seconde professionnelle

**activites commerciales et comptables 2de profesio 2022** - Jan 08 2023

web jan 4 2023 4728788 activites commerciales et comptables 2de profesio 2 9 downloaded from knockinc com on by guest la préparation des bac pro trois ans comptabilité et secrétariat très progressif l ouvrage accompagne l élève dans son apprentissage et alterne activités de réflexion et d analyse cette 2e édition propose en fin

activites commerciales et comptables 2de profesio copy - Feb 26 2022

web jul 29 2023 activites commerciales et comptables 2de profesio 1 6 downloaded from uniport edu ng on july 29 2023 by guest activites commerciales et comptables 2de profesio eventually you will enormously discover a additional experience and deed by spending more cash nevertheless when attain you admit that you require to

*devenir commercial formation salaire fiche métier* - Nov 06 2022

web le salaire d un commercial est composé d une base fixe entre le smic et 1 500 euros pour un débutant et d un complément variable en fonction de ses ventes les premières années le salaire oscille entre 1 500 euros et 2 400 euros nets

**activites commerciales et comptables 2de profesio pdf vpn** - Dec 07 2022

web activites commerciales et comptables 2de profesio commerciales et comptables 2de profesio downloaded from vpn bethnalgreenventures com jaquan sullivan activités commerciales et comptables bep seconde professionnelle hachette cet ouvrage se présente sous la forme

**activites commerciales et comptables 2de profesio copy** - Dec 27 2021

web jun 26 2023 proclamation activites commerciales et comptables 2de profesio can be one of the options to accompany you gone having supplementary time it will not waste your time agree to me the e book will certainly declare you additional

situation to read just invest tiny era to approach this on line broadcast activites commerciales et  
*synonyme activité commerciale dictionnaire synonymes* - Oct 05 2022

web traduction activité commerciale dans le dictionnaire français français de reverso voir aussi activité alimentaire activité  
antimutagène activité bancaire activité connexe conjugaison expressions idiomatiques

**activites commerciales et comptables 2de profesio kelliemay** - Jul 02 2022

web nov 23 2022 this activites commerciales et comptables 2de profesio as one of the most on the go sellers here will no  
question be along with the best options to review codex de l expert comptable et du conseil fiscal 2014

*activites commerciales et comptables 2de profesio htaccess* - Sep 04 2022

web commerciales et comptables dès la classe de seconde les activités témoignent d une approche méthodique de la  
comptabilité flux emplois et ressources comptes à utiliser et amènent l élève à pratiquer l analyse comptable

**activites commerciales et comptables 2de profesio pdf pdf** - Aug 15 2023

web activites commerciales et comptables 2de profesio pdf introduction activites commerciales et comptables 2de profesio  
pdf pdf computer auditing andrew d chambers 1991 the 1990s takes us into the third age of computer auditing the age of  
mature theory recognized best practice and distinctive professional qualifications

**activites commerciales et comptables 2de profesio copy** - Jan 28 2022

web activites commerciales et comptables 2de profesio 1 5 downloaded from uniport edu ng on july 20 2023 by guest  
activites commerciales et comptables 2de profesio yeah reviewing a book activites commerciales et comptables 2de profesio  
could amass your close connections listings this is just one of the solutions for you to be successful

**activites commerciales et comptables 2de profesio 2022** - Apr 11 2023

web activités commerciales et comptables 2e bep métiers de la comptabilité métiers tp activités commerciales et comptables  
2e bac pro 3 ans activites commerciales et comptables 2de profesio downloaded from seminary fbny org by guest weber laci  
tp activités commerciales et comptables bac pro 2de nathan

**activites commerciales et comptables 2de profesio copy** - Mar 10 2023

web activites commerciales et comptables 2de profesio right here we have countless books activites commerciales et  
comptables 2de profesio and collections to check out we additionally provide

**activites commerciales et comptables 2de profesio luc fages** - Jun 01 2022

web activités commerciales et comptables bep seconde professionnelle denis guillain 2001 activités commerciales et  
comptables denis guillain 1996 activités commerciales et comptables christian habouzit 1996 activités commerciales et  
comptables 2e professionnelle sylvie chamillard 1998 activités commerciales et comptables luc

*activites commerciales et comptables 2de profesio pdf gilles* - Jun 13 2023

web activites commerciales et comptables 2de profesio pdf when people should go to the ebook stores search establishment by shop shelf by shelf it is in reality problematic this is why we present the book compilations in this website it will agreed ease you to look guide activites commerciales et comptables 2de profesio pdf as you such as

*wind energy handbook 2nd edition wind energy renewable energy* - Aug 20 2023

web firmly established as an essential reference wind energy handbook second edition will prove a real asset to engineers turbine designers and wind energy consultants both in industry and research advanced engineering students and new entrants to the wind energy sector will also find it an invaluable resource

**wind energy handbook 3rd edition wiley** - Jun 06 2022

web fully updated and authoritative reference to wind energy technology written by leading academic and industry professionals the newly revised third edition of the wind energy handbook delivers a fully updated treatment of key developments in wind technology since the publication of the books second edition in 2011

wind energy handbook google books - Jul 07 2022

web apr 21 2021 wind energy handbook tony l burton nick jenkins ervin bossanyi david sharpe michael graham john wiley sons apr 21 2021 science 1008 pages fully updated and authoritative

**wind energy handbook hardcover 6 may 2011 amazon co uk** - Jun 18 2023

web may 6 2011 the authoritative reference on wind energy now fully revised and updated to include offshore wind power a decade on from its first release the wind energy handbook second edition reflects the advances in technology underpinning the continued expansion of the global wind power sector

**wind energy handbook 3e wiley online books** - Jan 13 2023

web apr 27 2021 fully updated and authoritative reference to wind energy technology written by leading academic and industry professionals the newly revised third edition of the wind energy handbook delivers a fully updated treatment of key developments in wind technology since the publication of the book s second edition in 2011

**wind energy handbook 3rd edition wiley** - May 05 2022

web the newly revised third edition of the wind energy handbook delivers a fully updated treatment of key developments in wind technology since the publication of the book s second edition in 2011

**wind energy engineering sciencedirect** - Apr 04 2022

web wind energy engineering a handbook for onshore and offshore wind turbines is the most advanced up to date and research focused text on all aspects of wind energy engineering wind energy is pivotal in global electricity generation and for achieving future essential energy demands and targets

wind energy handbook 2nd edition wiley - Sep 21 2023

web the authoritative reference on wind energy now fully revised and updated to include offshore wind power a decade on from its first release the wind energy handbook second edition reflects the advances in technology underpinning the continued expansion of the global wind power sector

*wind energy handbook wiley online books* - Feb 14 2023

web sep 27 2001 chapter 1 introduction pages 1 9 summary pdf request permissions chapter 2 the wind resource pages 11 39 summary pdf request permissions chapter 3 aerodynamics of horizontal axis wind turbines pages 41 172 summary pdf request permissions chapter 4 wind turbine performance pages

**wind energy handbook 2nd ed by tony burton ebook** - Mar 15 2023

web firmly established as an essential reference wind energy handbook second edition will prove a real asset to engineers turbine designers and wind energy consultants both in industry and research advanced engineering students and new entrants to the wind energy sector will also find it an invaluable resource show more ratings and reviews

*wind energy handbook wiley online books* - Oct 22 2023

web may 3 2011 the authoritative reference on wind energy now fully revised and updated to include offshore wind power a decade on from its first release the wind energy handbook second edition reflects the advances in technology underpinning the continued expansion of the global wind power sector

*wind energy engineering sciencedirect* - Dec 12 2022

web wind energy engineering a handbook for onshore and offshore wind turbines second edition continues to be the most advanced up to date and research focused text on all aspects of wind energy engineering

9780470699751 *wind energy handbook 2e abebooks* - Oct 10 2022

web wind energy handbook 2e by burton at abebooks co uk isbn 10 0470699752 isbn 13 9780470699751 john wiley sons 2011 hardcover

**wind energy handbook 2nd edition vitalsource** - May 17 2023

web fully revised and updated now covering offshore wind turbines this is a comprehensive description of the mechanical electrical aerodynamic meteorological and planning aspects of modern wind turbines this is a digital product additional isbn 9781119993933 9781119993926 9781119992721 9781299189171 subjects technology engineering

**wind energy handbook jstor** - Mar 03 2022

web the wind energy handbook therefore breaks new ground in engineering since it establishes the subject within a professional environment the book will become essential in every wind turbine design office as the wind engineering bible and within universities as the text for comprehensive application and leading edge development

**wind energy handbook second edition request pdf** - Nov 11 2022

web may 3 2011 wind energy handbook second edition request pdf authors tony burton independent researcher nick jenkins cardiff university david sharpe ervin bossanyi det norske veritas request

**wind energy united diversity** - Aug 08 2022

web 1 2 modern wind turbines 6 1 3 scope of the book 7 references 8 bibliography 9 2 the wind resource 11 2 1 the nature of the wind 11 2 2 geographical variation in the wind resource 12 2 3 long term wind speed variations 13 2 4 annual and seasonal variations 14 2 5 synoptic and diurnal variations 16 2 6 turbulence 17 2 6 1 the nature of

*wind energy engineering 2nd edition elsevier* - Sep 09 2022

web may 8 2023 wind energy engineering a handbook for onshore and offshore wind turbines 2nd edition may 8 2023 editor trevor letcher hardback isbn 9780323993531 ebook isbn 9780323958301 purchase options limited offer save 50 on book bundles immediately download your ebook while waiting for your print

wind energy handbook edition 2 by tony burton nick jenkins - Apr 16 2023

web wind energy handbook edition 2 ebook written by tony burton nick jenkins david sharpe ervin bossanyi read this book using google play books app on your pc android ios devices

*wiley vch wind energy handbook* - Jul 19 2023

web fully updated and authoritative reference to wind energy technology written by leading academic and industry professionals the newly revised third edition of the wind energy handbook delivers a fully updated treatment of key developments in wind technology since the publication of the book s second edition in 2011