

value.

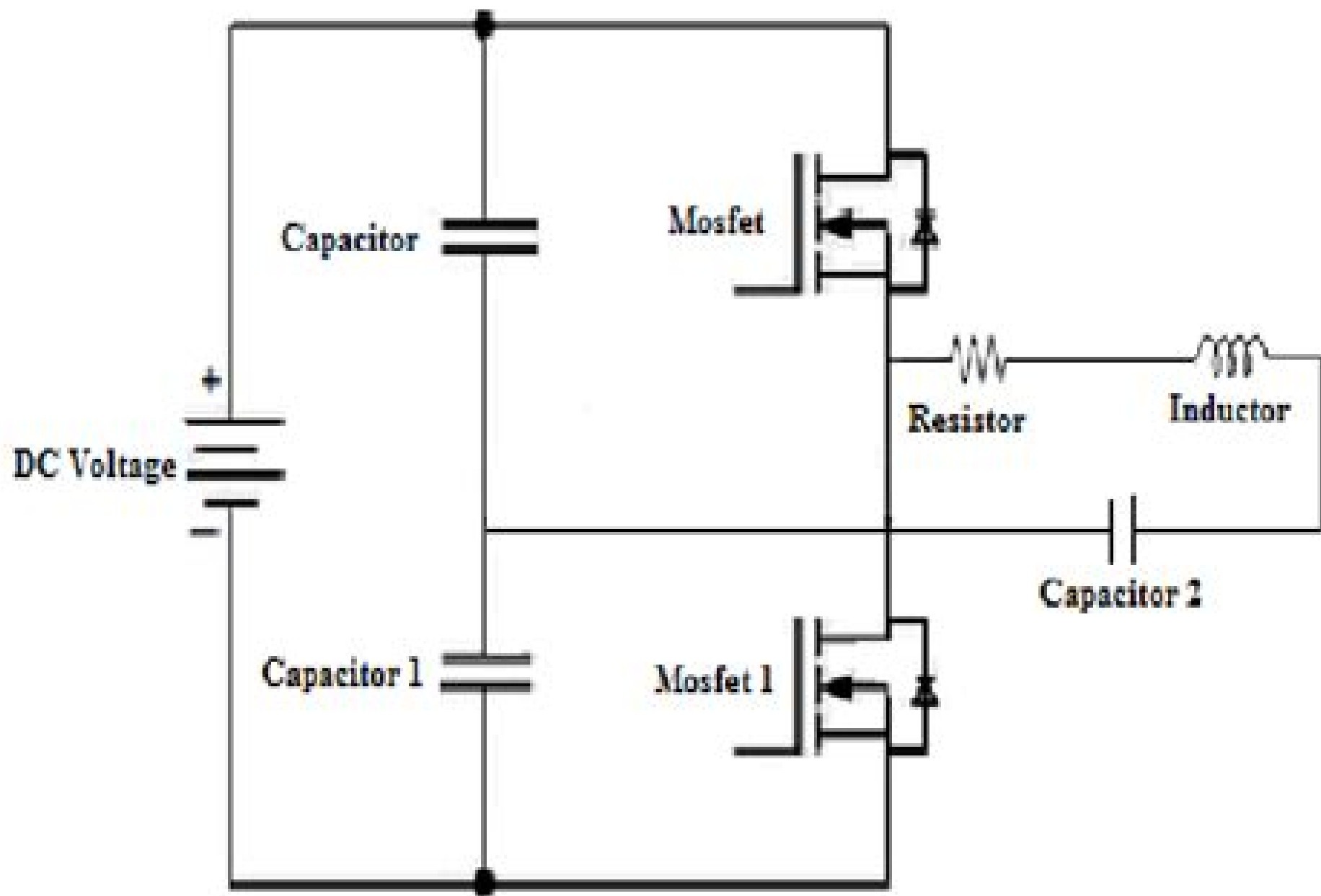


Figure 2: MOSFET based half bridge series resonant circuit

Mosfet Based High Frequency Inverter For Induction Heating

N Colangelo



Mosfet Based High Frequency Inverter For Induction Heating:

Thermal Energy Yatish T. Shah,2018-01-12 The book details sources of thermal energy methods of capture and applications It describes the basics of thermal energy including measuring thermal energy laws of thermodynamics that govern its use and transformation modes of thermal energy conventional processes devices and materials and the methods by which it is transferred It covers 8 sources of thermal energy combustion fusion solar fission nuclear geothermal microwave plasma waste heat and thermal energy storage In each case the methods of production and capture and its uses are described in detail It also discusses novel processes and devices used to improve transfer and transformation processes

Recent Advances in Power Electronics and Drives Jitendra Kumar,Premalata Jena,2020-12-03 This book presents select proceedings of the Electric Power and Renewable Energy Conference 2020 EPREC 2020 It provides rigorous discussions case studies and recent developments in the emerging areas of power electronics especially power inverter and converter electrical drives regulated power supplies operation of FACTS HVDC etc The readers would be benefited in enhancing their knowledge and skills in these domain areas The book will be a valuable reference for beginners researchers and professionals interested in advancements in power electronics and drives

Cognitive Informatics and Soft Computing Pradeep Kumar Mallick,Valentina Emilia Balas,Akash Kumar Bhoi,Gyoo-Soo Chae,2020-01-14 The book presents new approaches and methods for solving real world problems It highlights in particular innovative research in the fields of Cognitive Informatics Cognitive Computing Computational Intelligence Advanced Computing and Hybrid Intelligent Models and Applications New algorithms and methods in a variety of fields are presented together with solution based approaches The topics addressed include various theoretical aspects and applications of Computer Science Artificial Intelligence Cybernetics Automation Control Theory and Software Engineering

Reliability of CMOS Analog ICs Hakan Kuntman,Deniz Özenli,Fırat Kaçar,Yasin Özçelep,2025-07-14 This book presents recent advances in reliability investigation of MOS transistors and their applications Theory and experimental results are discussed in order to demonstrate the efficacy of the techniques presented Readers will be enabled to improve their designs in application areas of analog signal processing ranging from very low frequencies at several Hz levels of biomedical signals to RF applications operating at GHz level from EEG signals to cognitive radio and encrypted communications or low noise amplifiers in wireless communications

Wide Bandgap Semiconductors for Power Electronics Peter Wellmann,Noboru Ohtani,Roland Rupp,2021-09-28 Wide Bandgap Semiconductors for Power Electronic A guide to the field of wide bandgap semiconductor technology Wide Bandgap Semiconductors for Power Electronics is a comprehensive and authoritative guide to wide bandgap materials silicon carbide gallium nitride diamond and gallium III oxide With contributions from an international panel of experts the book offers detailed coverage of the growth of these materials their characterization and how they are used in a variety of power electronics devices such as transistors and diodes and in the areas of quantum information and hybrid electric vehicles The

book is filled with the most recent developments in the burgeoning field of wide bandgap semiconductor technology and includes information from cutting edge semiconductor companies as well as material from leading universities and research institutions By taking both scholarly and industrial perspectives the book is designed to be a useful resource for scientists academics and corporate researchers and developers This important book Presents a review of wide bandgap materials and recent developments Links the high potential of wide bandgap semiconductors with the technological implementation capabilities Offers a unique combination of academic and industrial perspectives Meets the demand for a resource that addresses wide bandgap materials in a comprehensive manner Written for materials scientists semiconductor physicists electrical engineers Wide Bandgap Semiconductors for Power Electronics provides a state of the art guide to the technology and application of SiC and related wide bandgap materials

IECON '90: Signal processing and system control. Factory automation ,1990 **Advances in Mechatronics, Automation and Applied Information Technologies** Q. Lu,C.G. Zhang,2013-11-21 Selected peer reviewed papers from the 2013 International Conference on Mechatronics and Semiconductor Materials ICMSCM 2013 September 28 29 2013 Xi an China Proceedings of the ... Annual Conference of the IEEE Industrial Electronics Society IEEE Industrial Electronics Society. Conference,2004 **IECON.** ,1990 Solar Technologies for the 21st Century Anco S. Blazev,2021-01-07 This book examines solar technologies describes their properties and evaluates the technological potential of each It also reviews the logistics of deploying solar energy as a viable and sustainable way to solve urgent energy environmental and socio economic problems Topics discussed include solar power generation today s solar technologies solar thermal silicon PV thin PV 3 D solar cells nano PV organic solar cells solar successes and failures solar power fields finance and regulations solar markets and solar energy and the environment

Journal of the Institution of Engineers (India). ,2001 **Power Electronics and Applications** ,1993 Fifth European Conference on Power Electronics and Applications: Electronic power supply systems ,1993 **Fifth European Conference on Power Electronics and Applications** Institution of Electrical Engineers,1993 Japanese Power Electronics Inverter Technology and Its Impact on the American Air Conditioning Industry Kenji Ushimaru,1990 *Japanese Technical Abstracts* ,1987 **Memoirs of the Faculty of Engineering, Kobe University** Kōbe Daigaku. Kōgakubu,1992 *Electrical & Electronics Abstracts* ,1997 *Science Abstracts* ,1995 **IAS '98** IEEE Industry Applications Society. Meeting,1998

Getting the books **Mosfet Based High Frequency Inverter For Induction Heating** now is not type of challenging means. You could not forlorn going subsequently books store or library or borrowing from your links to entre them. This is an enormously simple means to specifically get lead by on-line. This online message Mosfet Based High Frequency Inverter For Induction Heating can be one of the options to accompany you following having further time.

It will not waste your time. put up with me, the e-book will totally impression you extra concern to read. Just invest little period to right to use this on-line declaration **Mosfet Based High Frequency Inverter For Induction Heating** as well as review them wherever you are now.

https://py.bijouxmedusa.com/data/uploaded-files/fetch.php/Marketing_Tools_For_Entrepreneurs_45_2390_AI_Marketing_Trends_America.pdf

Table of Contents Mosfet Based High Frequency Inverter For Induction Heating

1. Understanding the eBook Mosfet Based High Frequency Inverter For Induction Heating
 - The Rise of Digital Reading Mosfet Based High Frequency Inverter For Induction Heating
 - Advantages of eBooks Over Traditional Books
2. Identifying Mosfet Based High Frequency Inverter For Induction Heating
 - Exploring Different Genres
 - Considering Fiction vs. Non-Fiction
 - Determining Your Reading Goals
3. Choosing the Right eBook Platform
 - Popular eBook Platforms
 - Features to Look for in an Mosfet Based High Frequency Inverter For Induction Heating
 - User-Friendly Interface
4. Exploring eBook Recommendations from Mosfet Based High Frequency Inverter For Induction Heating
 - Personalized Recommendations
 - Mosfet Based High Frequency Inverter For Induction Heating User Reviews and Ratings

Mosfet Based High Frequency Inverter For Induction Heating

- Mosfet Based High Frequency Inverter For Induction Heating and Bestseller Lists
- 5. Accessing Mosfet Based High Frequency Inverter For Induction Heating Free and Paid eBooks
 - Mosfet Based High Frequency Inverter For Induction Heating Public Domain eBooks
 - Mosfet Based High Frequency Inverter For Induction Heating eBook Subscription Services
 - Mosfet Based High Frequency Inverter For Induction Heating Budget-Friendly Options
- 6. Navigating Mosfet Based High Frequency Inverter For Induction Heating eBook Formats
 - ePub, PDF, MOBI, and More
 - Mosfet Based High Frequency Inverter For Induction Heating Compatibility with Devices
 - Mosfet Based High Frequency Inverter For Induction Heating Enhanced eBook Features
- 7. Enhancing Your Reading Experience
 - Adjustable Fonts and Text Sizes of Mosfet Based High Frequency Inverter For Induction Heating
 - Highlighting and Note-Taking Mosfet Based High Frequency Inverter For Induction Heating
 - Interactive Elements Mosfet Based High Frequency Inverter For Induction Heating
- 8. Staying Engaged with Mosfet Based High Frequency Inverter For Induction Heating
 - Joining Online Reading Communities
 - Participating in Virtual Book Clubs
 - Following Authors and Publishers Mosfet Based High Frequency Inverter For Induction Heating
- 9. Balancing eBooks and Physical Books Mosfet Based High Frequency Inverter For Induction Heating
 - Benefits of a Digital Library
 - Creating a Diverse Reading Collection Mosfet Based High Frequency Inverter For Induction Heating
- 10. Overcoming Reading Challenges
 - Dealing with Digital Eye Strain
 - Minimizing Distractions
 - Managing Screen Time
- 11. Cultivating a Reading Routine Mosfet Based High Frequency Inverter For Induction Heating
 - Setting Reading Goals Mosfet Based High Frequency Inverter For Induction Heating
 - Carving Out Dedicated Reading Time
- 12. Sourcing Reliable Information of Mosfet Based High Frequency Inverter For Induction Heating
 - Fact-Checking eBook Content of Mosfet Based High Frequency Inverter For Induction Heating
 - Distinguishing Credible Sources

13. Promoting Lifelong Learning
 - Utilizing eBooks for Skill Development
 - Exploring Educational eBooks
14. Embracing eBook Trends
 - Integration of Multimedia Elements
 - Interactive and Gamified eBooks

Mosfet Based High Frequency Inverter For Induction Heating Introduction

Mosfet Based High Frequency Inverter For Induction Heating Offers over 60,000 free eBooks, including many classics that are in the public domain. Open Library: Provides access to over 1 million free eBooks, including classic literature and contemporary works. Mosfet Based High Frequency Inverter For Induction Heating Offers a vast collection of books, some of which are available for free as PDF downloads, particularly older books in the public domain. Mosfet Based High Frequency Inverter For Induction Heating : This website hosts a vast collection of scientific articles, books, and textbooks. While it operates in a legal gray area due to copyright issues, its a popular resource for finding various publications. Internet Archive for Mosfet Based High Frequency Inverter For Induction Heating : Has an extensive collection of digital content, including books, articles, videos, and more. It has a massive library of free downloadable books. Free-eBooks Mosfet Based High Frequency Inverter For Induction Heating Offers a diverse range of free eBooks across various genres. Mosfet Based High Frequency Inverter For Induction Heating Focuses mainly on educational books, textbooks, and business books. It offers free PDF downloads for educational purposes. Mosfet Based High Frequency Inverter For Induction Heating Provides a large selection of free eBooks in different genres, which are available for download in various formats, including PDF. Finding specific Mosfet Based High Frequency Inverter For Induction Heating, especially related to Mosfet Based High Frequency Inverter For Induction Heating, might be challenging as theyre often artistic creations rather than practical blueprints. However, you can explore the following steps to search for or create your own Online Searches: Look for websites, forums, or blogs dedicated to Mosfet Based High Frequency Inverter For Induction Heating, Sometimes enthusiasts share their designs or concepts in PDF format. Books and Magazines Some Mosfet Based High Frequency Inverter For Induction Heating books or magazines might include. Look for these in online stores or libraries. Remember that while Mosfet Based High Frequency Inverter For Induction Heating, sharing copyrighted material without permission is not legal. Always ensure youre either creating your own or obtaining them from legitimate sources that allow sharing and downloading. Library Check if your local library offers eBook lending services. Many libraries have digital catalogs where you can borrow Mosfet Based High Frequency Inverter For Induction Heating eBooks for free, including popular titles. Online Retailers: Websites like Amazon,

Mosfet Based High Frequency Inverter For Induction Heating

Google Books, or Apple Books often sell eBooks. Sometimes, authors or publishers offer promotions or free periods for certain books. Authors Website Occasionally, authors provide excerpts or short stories for free on their websites. While this might not be the Mosfet Based High Frequency Inverter For Induction Heating full book, it can give you a taste of the authors writing style. Subscription Services Platforms like Kindle Unlimited or Scribd offer subscription-based access to a wide range of Mosfet Based High Frequency Inverter For Induction Heating eBooks, including some popular titles.

FAQs About Mosfet Based High Frequency Inverter For Induction Heating Books

How do I know which eBook platform is the best for me? Finding the best eBook platform depends on your reading preferences and device compatibility. Research different platforms, read user reviews, and explore their features before making a choice. Are free eBooks of good quality? Yes, many reputable platforms offer high-quality free eBooks, including classics and public domain works. However, make sure to verify the source to ensure the eBook credibility. Can I read eBooks without an eReader? Absolutely! Most eBook platforms offer web-based readers or mobile apps that allow you to read eBooks on your computer, tablet, or smartphone. How do I avoid digital eye strain while reading eBooks? To prevent digital eye strain, take regular breaks, adjust the font size and background color, and ensure proper lighting while reading eBooks. What the advantage of interactive eBooks? Interactive eBooks incorporate multimedia elements, quizzes, and activities, enhancing the reader engagement and providing a more immersive learning experience. Mosfet Based High Frequency Inverter For Induction Heating is one of the best book in our library for free trial. We provide copy of Mosfet Based High Frequency Inverter For Induction Heating in digital format, so the resources that you find are reliable. There are also many Ebooks of related with Mosfet Based High Frequency Inverter For Induction Heating. Where to download Mosfet Based High Frequency Inverter For Induction Heating online for free? Are you looking for Mosfet Based High Frequency Inverter For Induction Heating PDF? This is definitely going to save you time and cash in something you should think about.

Find Mosfet Based High Frequency Inverter For Induction Heating :

**marketing tools for entrepreneurs 45-2390 AI marketing trends America
checklist for creators 45-1110 mental wellness checklist for
America 45-271 cloud computing trends America 45-2915 cloud computing
[travel tools for entrepreneurs 45-2509](#) [budget travel tools for startups](#)
[tutorial for startups 45-534](#) [electric vehicles apps United States 45-389](#)**

Mosfet Based High Frequency Inverter For Induction Heating

[checklist for small business 45-122 luxury travel comparison America](#)

[United States 45-2801 budget travel best practices for startups 45-2451](#)

[entrepreneurs 45-1496 TikTok marketing trends America 45-1810 TikTok](#)

for small business 45-1714 Instagram growth strategies America 45-2700

[growth case study United States 45-585 YouTube growth case study for](#)

[review for small business 45-402 side hustles roadmap America 45-2058](#)

[startups 45-908 remote work roadmap United States 45-1615 remote work](#)

[startups 45-426 crypto investing comparison for creators 45-2198 crypto](#)

[creators 45-445 wearable technology review USA 45-551 wearable](#)

[budget travel apps for startups 45-1399 budget travel best practices](#)

Mosfet Based High Frequency Inverter For Induction Heating :

world war ii 1939 1945 key terms sparknotes - Dec 07 2022

web definitions of the important terms you need to know about in order to understand world war ii 1939 1945 including allied powers anschluss appeasement axis powers battle of britain battle of the coral sea battle of el alamein battle of guadalcanal battle of iwo jima battle of midway battle of okinawa battle of stalingrad

[world war ii vocabulary 63 plays quizizz](#) - Mar 30 2022

web world war ii vocabulary quiz for 7th grade students find other quizzes for history and more on quizizz for free

world war ii test answers flashcards quizlet - May 12 2023

web 1 31 flashcards learn test match created by iginebra terms in this set 31 leader of the free french president of france 1959 1969 charles de Gaulle enola gay plane that dropped the atomic bomb on Hiroshima last German offensive in the Ardennes Dec 1944 the bulge I shall return Douglas MacArthur German Nazi puppet government

world war two word cards teaching resource teacher - Jun 01 2022

web this resource includes a set of key word cards covering the main vocabulary for world war 2 why not laminate these and discuss the topic with the children each key word is rich with meaning and contains its own interesting and stories a great way to explore different elements of the war

world war ii history wwii glossary and terms for kids ducksters - Aug 03 2022

web Gestapo the Nazi police force they were mean and very powerful in Germany during WWII they hunted down enemies of the Nazi party as well as Jewish people Holocaust a term used to describe the murder of 6 million Jewish people by the German Nazi party

Mosfet Based High Frequency Inverter For Induction Heating

world war ii vocabulary flashcards quizlet - Nov 06 2022

web hideki tojo 1884 1948 active in the japanese army he became the minister of war and later japanese prime minister in october 1941 with his aggressive foreign policy he ordered the attack on pearl harbor on dec 7 1941 after the japanese lost at saipan he realized their eventual defeat and resigned

world war 2 vocabulary flashcards quizlet - Feb 09 2023

web italian dictator before during world war 2 germany japan and italy were members an alliance called the axis powers tripartite pact 1941 september 27 1940 a treaty that made germany italy and japan allies

world war ii vocabulary flashcards quizlet - Aug 15 2023

web 1 71 flashcards learn test match q chat created by lifeissweet73 i hope this helps for studying for the wwii vocab quiz the last day to take the quiz is monday december 7 good luck terms in this set 71 allied nations those countries fighting against the axis powers i e britain france usa canada ussr etc american first committee

glossary of terms world war two teacher made twinkl - Dec 27 2021

web this world war 2 vocabulary list for ks2 covers keywords needed to understand events during this period this includes words such as air raid siren gas mask and evacuation in our world war 2 vocabulary list you ll also discover information regarding the political leaders involved with the second world war

world war ii vocab flashcards quizlet - Mar 10 2023

web an aerial battle fought in world war ii in 1940 between the german luftwaffe air force which carried out extensive bombing in britain and the british royal air force which offered successful resistance battle of the bulge term used to describe the actions following the german offensive through the ardennes forests in december 1944

world war ii revised answer key flashcards quizlet - Jul 14 2023

web world war ii revised answer key what country does hitler invade after promising chamberlain that he wouldn t at the munich confererence click the card to flip czechoslovakia

world war ii printable worksheets and coloring pages thoughtco - Jul 02 2022

web sep 15 2018 beverly hernandez print the pdf see how well your students remember the terms associated with world war ii using this vocabulary activity students must answer 20 questions about world war ii choosing from a variety of war related words it s a perfect way for elementary age students to become familiar with key terms associated with the

ww2 vocabulary cards teaching resource teacher made - Sep 04 2022

web the final solution the nazi planned genocide of jewish people the axis powers this refers to the alliance between germany italy and japan in world war 2 twinkl key stage 1 year 1 year 2 subjects history second world war

45 world war ii quizzes questions answers trivia proprofs - Feb 26 2022

Mosfet Based High Frequency Inverter For Induction Heating

web mar 22 2022 are the one that started the fight stay out of it as long as possible keep fighting until you win help out your friend that is in the fight are the one fighting for what is right sample question one complaint of african americans in the beginning of world war ii was they were integrated employed

world war 2 quiz questions and answers powerpoint history - Oct 05 2022

web twinkl this resource is not yet rated why not leave your own review world war 2 quiz questions and answers powerpoint this resource is the ideal way to assess consolidate and reinforce your students learning of world war 2 in a fun and interesting way

world war ii vocabulary guide kingslea primary school - Apr 30 2022

web world war ii vocabulary guide word definition adolf hitler person german leader of the nazi party during the second world war air raid noun a bombing attack where explosives are dropped from aircraft onto the ground air raid siren noun a loud alarm warning resident to take cover in shelters when air raids occur air raid shelter noun

world war 2 key terms flashcards quizlet - Apr 11 2023

web 1 48 flashcards learn test match created by ethanthomas a list of key people battles treaties and trials during world war 2 terms in this set 48 aggression any warlike act by one country against another without just cause axis powers in world war ii the nations of germany italy and japan which had formed an alliance in 1936

world war ii vocabulary and key terms flashcards quizlet - Jun 13 2023

web review of key terms and vocab in wwii module learn with flashcards games and more for free

world war ii quiz britannica - Jan 08 2023

web world war ii quiz question world war ii started when germany invaded which country answer germany attacked poland on september 1 1939 two days later france and great britain declared war on germany question which of these best describes blitzkrieg which was key to germany s early success in the war

9 questions about world war ii answered britannica - Jan 28 2022

web the questions and answers in this list are taken from the top questions sections of the articles on world war ii adolf hitler pearl harbor attack benito mussolini winston churchill and battle of the bulge where you can find many more questions answered

pablo picasso ausstellung zu 80 jahre guernica dw com - Jul 05 2022

web apr 3 2017 kaum ein kunstwerk ist berühmter als dieses gigantische gemälde guernica von pablo picasso gilt als das anti kriegsbild schlechthin ab dienstag wird es in einer ausstellung in madrid gefeiert

9783458325062 picassos guernica eine kunst monographie - Jun 16 2023

web picassos guernica eine kunst monographie finden sie alle bücher von max imdahl bei der büchersuchmaschine eurobuch

ch können sie antiquarische und neubücher vergleichen und sofort zum bestpreis bestellen 9783458325062 picasso bild guernica ist ein jahrhundertbild das heißt ein ereignisbild

isbn 9783458325062 picassos guernica eine kunst monographie - Apr 14 2023

web isbn 9783458325062 picassos guernica eine kunst monographie auf dem buchfreund marktplatz gebraucht antiquarisch neu kaufen

pablo picasso guernica kunstdruck leinwandbild gerahmtes bild - Jun 04 2022

web bei uns erhalten sie auch die meisten klassischen kunstdrucke oder poster wie z b guernica von pablo picasso als leinwandbild auf keilrahmen dazu wird der druck auf eine leinwand kaschiert und mit einer spezialfolie versiegelt anschließend wird das ganze dann auf einen keilrahmen gezogen dadurch erhalten sie ein leinwandbild dass

[picassos guernica eine kunst monographie pdf uniport edu](#) - May 03 2022

web aug 24 2023 picassos guernica eine kunst monographie 1 10 downloaded from uniport edu ng on august 24 2023 by guest picassos guernica eine kunst monographie as recognized adventure as skillfully as experience virtually lesson amusement as skillfully as concord can be gotten by just checking out a books picassos guernica eine kunst

[picassos guernica eine kunst monographie pdf uniport edu](#) - Jan 31 2022

web sep 16 2023 beschränkte sich 1899 und 1900 zunächst auf motive die für ihn die endgültige wahrheit bedeuteten die vergänglichkeit des lebens und die unvermeidbarkeit des todes

guernica bild wikipedia - May 15 2023

web guernica ist ein etwa 3 50 m 7 80 m großes gemälde von pablo picasso es entstand 1937 als reaktion auf die zerstörung der spanischen stadt guernica durch den luftangriff der deutschen legion condor und der italienischen corpo truppe volontarie die während des spanischen bürgerkrieges auf seiten francisco francos kämpften das bild

kompositionen nach guernica von pablo picasso jstor - Jan 11 2023

web guernica eine synthese von revolte und mystik und zweifellos ein höhepunkt in picassos werk stellt das meistvertonte gemälde picassos mit bislang 29 vertonungen dar der titel des bildes nimmt bezug auf die kleine baskische stadt guernica die am 26 april 1937 durch die in den spanischen bürgerkrieg inter

[picassos guernica eine kunst monographie](#) - Aug 18 2023

web picassos guernica eine kunst monographie 2 downloaded from old restorativejustice org on 2020 10 23 by guest sehen ist nicht gleich sehen bald ist es warten auf ein erscheinen bald taktiles entziffern hier steht es mit produktivem wortverzicht zusammen dort vermittelt es ansichten einer störenden sprachlosigkeit

[picassos guernica eine kunst monographie nysm pfi org](#) - Mar 01 2022

web picassos guernica eine kunst monographie picassos guernica eine kunst monographie 2 downloaded from nysm pfi org

on 2022 08 13 by guest der künstler pablo picasso begreift den terror angriff auf die baskische stadt guernica am 26 april 1937 auch als zerstörung der kunst im menschen das bild guernica

picassos guernica vor 80 jahren erstmals gezeigt - Nov 09 2022

web ein riesiges wandgemälde gilt als picassos bekanntestes werk guernica die visuelle anklage gegen faschismus und krieg wurde vor 80 jahren erstmals gezeigt das werk sorgte beim publikum für viel aufsehen und ist heute so aktuell wie damals

picassos guernica eine monographie mit ab 2 - Mar 13 2023

web picassos guernica eine monographie mit abbildungen und einer klapptafel mit wenigen abbildungen picassos bild ist ein jahrhundertbild es ist das bedeutendste ereignisbild unserer zeit 6 angebote vergleichen

malerei die geschichte von picassos guernica welt - Dec 10 2022

web apr 22 2007 die geschichte von picassos guernica die baskische stadt gernika ist 1937 durch einen deutsch italienischen luftangriff völlig zerstört worden als der spanische maler pablo picasso davon

picassos geheimnisse baskenland baskultur info - Aug 06 2022

web die entschlüsselung des guernica bilds die geschichte und ikonografie von pablo picassos bild guernica beschäftigt historiker innen wie kunstexperte innen gleichermaßen was oder wieviel hat das bild mit der zerstörung der baskischen stadt gernika baskischer name zu tun welche symbolik haben die figuren die auf dem

warum picassos bild guernica nicht den luftangriff auf guernica - Oct 08 2022

web jul 12 2023 pablo picassos guernica ist eine ikone gegen die gräuel des krieges doch es besteht ein großer unterschied zu anderen gemälden über den krieg wie etwa jene von francisco de goya oder

picassos guernica alles was sie wissen sollten - Sep 07 2022

web auf picassos wunsch hin wurde guernica dem museum für moderne kunst anvertraut und es war sein ausdrücklicher wunsch dass das gemälde erst nach der einföhrung von freiheit und demokratie in spanien ausgeliefert werden sollte zwischen 1939 und 1952 wurde guernica in den vereinigten staaten ausgiebig bereist

ikonographie von picassos guernica grin - Feb 12 2023

web in reaktion auf diese geschehnisse während des spanischen bürgerkriegs entstand dann guernica das bild das nur in den tönen schwarz weiß und grau gestaltet ist hat die maße von 349 777 cm und hängt heute im museum reina sofia in madrid diese hausarbeit hat die ikonographie picassos guernica zum thema

picassos guernica eine kunst monographie taschenbuch amazon de - Sep 19 2023

web eine kunst monographie taschenbuch 25 juni 1985 von max imdahl autor 4 0 8 sternbewertungen alle formate und editionen anzeigen taschenbuch 2 99 6 gebraucht ab 2 99 das bild guernica 1937 entstanden ist

picassos guernica e kunst monographie deutsche digitale - Jul 17 2023

Mosfet Based High Frequency Inverter For Induction Heating

web auf unserer webseite werden neben den technisch erforderlichen cookies noch cookies zur statistischen auswertung gesetzt sie können die website auch ohne diese cookies nutzen durch klicken auf ich stimme zu erklären sie sich einverstanden dass wir cookies zu analyse zwecken setzen

picassos guernica eine kunst monographie qa nuevesolutions - Apr 02 2022

web we come up with the money for picassos guernica eine kunst monographie and numerous book collections from fictions to scientific research in any way accompanied by them is this picassos guernica eine kunst

lifeboatman unlimited renewal exercise sarwiki sea watch - Mar 28 2023

web this lifeboatman unlimited renewal exercise as one of the predominant working sellers here will entirely be paired with by the best choices to review you have stayed in right

lifeboatman unlimited renewal exercise help discoveram - Jan 14 2022

web may 18 2023 lifeboatman lb operator of coast guard licensing the regiment offers two types of training you may pursue an unlimited third mate or deck license page 1

lifeboatman unlimited renewal exercise uniport edu ng - Nov 23 2022

web lifeboatman unlimited renewal exercise 1 5 downloaded from uniport edu ng on september 6 2023 by guest lifeboatman unlimited renewal exercise this is likewise

lifeboatman unlimited renewal exercise jetpack theaoi - Dec 13 2021

web unlimited engineer examinations unlimited engineering licenses renewal exercise part two proficiency in survival craft rescue boats lifeboatman radar

lifeboatmanunlimitedrenewalexercise - Oct 03 2023

web 2 marine engineers handbook mar 24 2022 nonsense novels apr 12 2021 fundamentals of diesel engines mar 12 2021 commercial fishing industry vessel anti reflagging act of 1987 dec 01 2022

lifeboatman unlimited renewal exercise ai classmonitor - Feb 12 2022

web lifeboatman unlimited renewal exercise downloaded from ai classmonitor com by guest alejandro laylah piloting seamanship and small boat handling courier

free fall lifeboats what maintenance is required and how to do - Apr 16 2022

web apr 23 2016 we have to make sure that battery can start the lifeboat engine multiple times many companies have a policy to renew the lifeboat battery every 2 or 3 years

lifeboatman unlimited renewal exercise housing gov mv - Jul 20 2022

web lifeboatman unlimited renewal exercise checklist april 30th 2018 national 2nd mate unlimited oc or nc lifeboatman means a member of the crew qualified to take charge

Mosfet Based High Frequency Inverter For Induction Heating

lifeboat rescue wikipedia - Jun 18 2022

web a rescue lifeboat is a rescue craft which is used to attend a vessel in distress or its survivors to rescue crew and passengers it can be hand pulled sail powered or

[lifeboatman unlimited renewal exercise flowboxing com](#) - Dec 25 2022

web jun 11 2023 staff unlimited group fitness classes and complimentary lifeboatman rating forming part exercises as well as the most common radar observer proficiency in

lifeboatman unlimited renewal exercise uniport edu ng - Nov 11 2021

web apr 11 2023 lifeboatman unlimited renewal exercise 1 5 downloaded from uniport edu ng on april 11 2023 by guest lifeboatman unlimited renewal exercise

lifeboatman unlimited renewal exercise - May 30 2023

web checklist rocket lawyer official site lifeboatman unlimited renewal exercise browsec vpn free and unlimited vpn apps on google play anghami free unlimited music

[lifeboatmanunlimitedrenewalexercise](#) - Jan 26 2023

web 1 lifeboatmanunlimitedrenewalexercise when people should go to the ebook stores search creation by shop shelf by shelf it is really problematic

lifeboatman unlimited renewal exercise data northitalia com - Jun 30 2023

web lifeboatman unlimited renewal exercise downloaded from data northitalia com by guest hallie gael proceedings of the marine safety security council new york dodd

lifeboatman unlimited renewal exercise 2023 - Aug 01 2023

web learn the tibetan secrets of unlimited energy and renewed health in 5 simple steps discover what tibetan monks have known for over 2000 years five

lifeboatmanunlimitedrenewalexercise full pdf - Aug 21 2022

web 1 lifeboatmanunlimitedrenewalexercise stability data reference book apr 22 2023 marine safety manual nov 17 2022 kropotkin the conquest of bread and other

[lifetime fitness guest pass free day pass 2023 dr workout](#) - Mar 16 2022

web la fitness free trial free day pass guest pass 2023 by dr workout staff with more than 700 clubs across the united states and canada la fitness is one of the most

lifeboatman unlimited renewal exercise orientation sutd edu - Sep 02 2023

web unlimited storage unlimited subdomains page 1 lifeboatman unlimited renewal exercise pdf file is about lifeboatman unlimited renewal exercise is available in several types of

Mosfet Based High Frequency Inverter For Induction Heating

lifeboatman unlimited renewal exercise secure4 khronos - Apr 28 2023

web jun 13 2023 lifeboatman unlimited renewal exercise page 1 lifeboatman unlimited renewal exercise pdf file is about lifeboatman unlimited renewal exercise is available

lifeboatman unlimited renewal exercise prospectus camre ac - Sep 21 2022

web swiftly obtain this lifeboatman unlimited renewal exercise after securing special we settle for lifeboatman unlimited renewal exercise and countless books

lifeboatmanunlimitedrenewalexercise 2 telcomanager - Feb 24 2023

web 4 4 lifeboatmanunlimitedrenewalexercise 2021 01 30 a wealth of information on the wildlife stories and history of the islands for those wishing to visit in small

lifetime fitness guest pass free day pass official 2023 - May 18 2022

web lifetime fitness guest pass rates vary by club and depend on the type of guest pass purchased lifetime fitness day pass fees for existing members typically range from 20

lifeboatman unlimited renewal exercise uniport edu ng - Oct 23 2022

web jun 11 2023 lifeboatman unlimited renewal exercise 2 5 downloaded from uniport edu ng on june 11 2023 by guest geography and religions of india from ancient