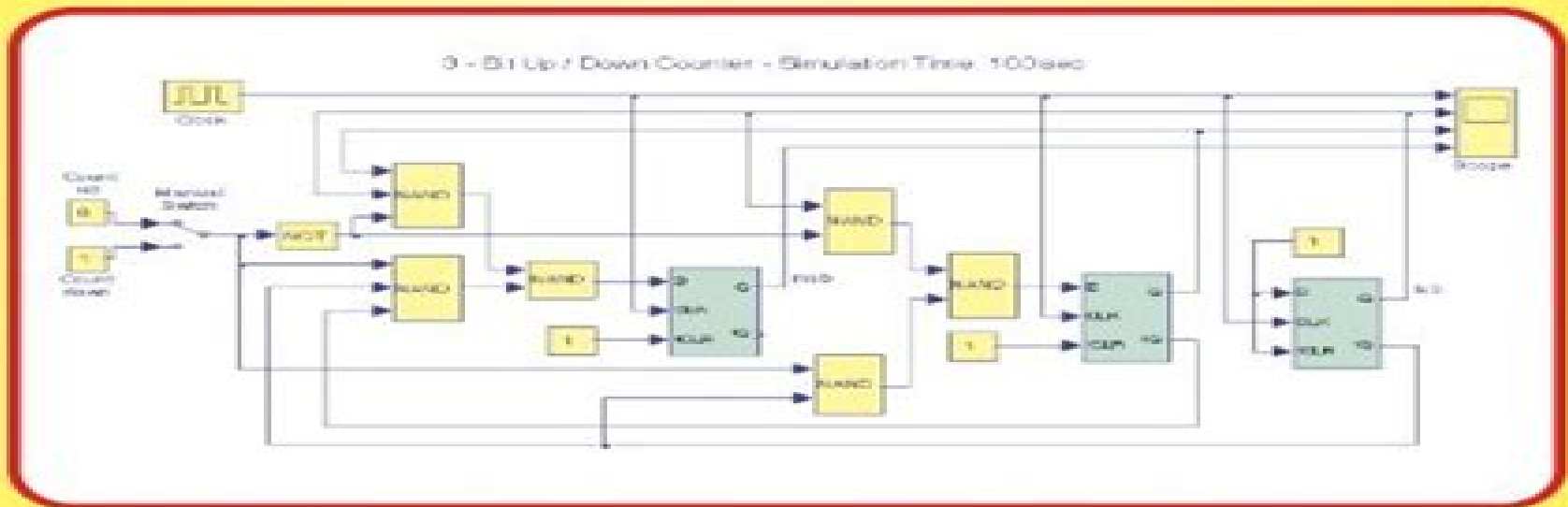


Digital Circuit Analysis and Design with Simulink® Modeling and Introduction to CPLDs and FPGAs

Second Edition

Steven T. Karris



Orchard Publications
www.orchardpublications.com

Circuit Analysis And Design Chapter 2

Michal Rosen-Zvi



Circuit Analysis And Design Chapter 2 :

The Analysis and Design of Linear Circuits Roland E. Thomas, Albert J. Rosa, Gregory J. Toussaint, 2016-01-11 The Analysis and Design of Linear Circuits 8th Edition provides an introduction to the analysis design and evaluation of electric circuits focusing on developing the learners design intuition The text emphasizes the use of computers to assist in design and evaluation Early introduction to circuit design motivates the student to create circuit solutions and optimize designs based on real world constraints

Introduction to Logic Design Sajjan G. Shiva, 2018-10-03 The second edition of this text provides an introduction to the analysis and design of digital circuits at a logic instead of electronics level It covers a range of topics from number system theory to asynchronous logic design A solution manual is available to instructors only Requests must be made on official school stationery

Fundamentals of Electric Circuit Analysis Clayton R. Paul, 2001 Focusing on the development of fundamental skills this new text is designed for a one semester course in the analysis of linear circuits The author meticulously covers the important topics within a sound pedagogical organization while minimizing unnecessary detail so that the student can develop a lasting and sound set of analysis skills The major topics presented include the analysis of resistive circuits including controlled sources and op amps and the analysis of circuits in the sinusoidal steady state phasor analysis Emphasized also is the analysis of circuits in the time domain in response to a disturbance switching operations and the unit step and unit impulse responses and is developed primarily using the Laplace transform A brief description of the classical method of solving the circuit differential equations is included

Introduction to Circuit Analysis and Design Michael D. Ciletti, 1988

Electronic Circuit Analysis and Design Donald A. Neamen, 2001 This junior level electronics text provides a foundation for analyzing and designing analog and digital electronic circuits Computer analysis and design are recognized as significant factors in electronics throughout the book The use of computer tools is presented carefully alongside the important hand analysis and calculations The author Don Neamen has many years experience as an engineering educator and an engineer His experience shines through each chapter of the book rich with realistic examples and practical rules of thumb The book is divided into three parts Part 1 covers semiconductor devices and basic circuit applications Part 2 covers more advanced topics in analog electronics and Part 3 considers digital electronic circuits

Analysis and Design of Transistor Circuits Laurence G. Cowles, 1966

Introduction to Electric Circuits James A. Svoboda, Richard C. Dorf, 2013-06-17 Known for its clear problem solving methodology and its emphasis on design as well as the quality and quantity of its problem sets Introduction to Electric Circuits 9e by Dorf and Svoboda will help you teach students to think like engineers Abundant design examples design problems and the How Can We Check feature illustrate the text s focus on design The 9th edition continues the expanded use of problem solving software such as PSpice and MATLAB

RF and Microwave Power Amplifier Design Andrei Grebennikov, 2004-09-15 This is a rigorous tutorial on radio frequency and microwave power amplifier design teaching the circuit design techniques that form the microelectronic backbones of modern

wireless communications systems Suitable for self study corporate training or Senior Graduate classroom use the book combines analytical calculations and computer aided design techniques to arm electronic engineers with every possible method to improve their designs and shorten their design time cycles *Circuit analysis, simulation and design* Albert E. Ruehli,1986 **Introduction to Computer Methods for Microwave Circuit Analysis and Design** Janusz Dobrowolski,1991 Discusses theory and design of pulsed Doppler radar and MTI with details on clutter clutter modelling and theory of optimum processing and covers topics related to the application of special Doppler signal processing techniques that provide unique features within a radar system *Analysis and Design of Integrated Circuit-Antenna Modules* K. C. Gupta,Peter S. Hall,2000 With communications technologies rapidly expanding the traditional separation of electronic circuits and antenna systems design is no longer feasible This book covers various design approaches applicable to integrated circuit antenna modules with the goal of placing the antenna transmitter and receiver all on a single chip It emphasizes analysis and design involving the integration of circuit functions with radiating elements and addresses trends in systems miniaturization *Transistor Circuit Analysis and Design* John J. Corning,1965 Linear Circuit Analysis Raymond A. DeCarlo, Pen-Min Lin,1995 The combined three volumes of these texts cover traditional linear circuit analysis topics both concepts and computation including the use of available software for problem solution where necessary The text balances emphasis on concepts and calculation so students learn the basic principles and properties that govern circuits behaviour while they gain a firm understanding of how to solve computational techniques they will face in the world of professional engineers *Computer Oriented Circuit Design* Franklin F. Kuo,1969 *Electric Circuits* James William Nilsson,Susan A. Riedel,1996 Part of the Addison Wesley world student series this volume accompanies Using Computer Tools for Electric Circuits and is a comprehensive textbook for an introductory course in electric circuit analysis Digital BiCMOS Integrated Circuit Design Sherif H.K. Embabi, Abdellatif Bellaouar, Mohamed I. Elmasry,1993 Digital BiCMOS Integrated Circuit Design is the first book devoted entirely to the analysis and design of digital BiCMOS integrated circuits BiCMOS Integrated Circuit Design also reviews CMOS and CML integrated circuit design The application of BiCMOS in the design of digital subsystems e g adders multipliers RAMs and PLAs is addressed The book also introduces the reader to IC process technology CMOS bipolar and BiCMOS The modeling of both the bipolar and MOS devices are covered Many process device circuit design issues are discussed Digital BiCMOS Integrated Circuit Design can be used by engineers researchers graduate and senior undergraduate students working in the area of digital integrated circuits digital circuits and system design BiCMOS process and device modeling Elementary Electronics D. Hywel White,1966 **Computer Design and Architecture** Sajjan G. Shiva,1985 **Introduction to Operational Amplifier Theory and Applications** John V. Wait, Lawrence P. Huelsman, Granino Arthur Korn,1975 For the practicing electrical engineer **Computer-aided Integrated Circuit Design** Gerald J. Herskowitz,1968

Thank you very much for reading **Circuit Analysis And Design Chapter 2** . Maybe you have knowledge that, people have search hundreds times for their chosen books like this Circuit Analysis And Design Chapter 2 , but end up in infectious downloads.

Rather than reading a good book with a cup of tea in the afternoon, instead they juggled with some infectious bugs inside their laptop.

Circuit Analysis And Design Chapter 2 is available in our digital library an online access to it is set as public so you can get it instantly.

Our books collection hosts in multiple countries, allowing you to get the most less latency time to download any of our books like this one.

Kindly say, the Circuit Analysis And Design Chapter 2 is universally compatible with any devices to read

https://py.bijouxmedusa.com/public/book-search/Download_PDFS/America%2022%201465%20Wearable%20Technology%20Trends%20United%20States%2022%202509.pdf

Table of Contents Circuit Analysis And Design Chapter 2

1. Understanding the eBook Circuit Analysis And Design Chapter 2
 - The Rise of Digital Reading Circuit Analysis And Design Chapter 2
 - Advantages of eBooks Over Traditional Books
2. Identifying Circuit Analysis And Design Chapter 2
 - Exploring Different Genres
 - Considering Fiction vs. Non-Fiction
 - Determining Your Reading Goals
3. Choosing the Right eBook Platform
 - Popular eBook Platforms
 - Features to Look for in an Circuit Analysis And Design Chapter 2
 - User-Friendly Interface

4. Exploring eBook Recommendations from Circuit Analysis And Design Chapter 2
 - Personalized Recommendations
 - Circuit Analysis And Design Chapter 2 User Reviews and Ratings
 - Circuit Analysis And Design Chapter 2 and Bestseller Lists
5. Accessing Circuit Analysis And Design Chapter 2 Free and Paid eBooks
 - Circuit Analysis And Design Chapter 2 Public Domain eBooks
 - Circuit Analysis And Design Chapter 2 eBook Subscription Services
 - Circuit Analysis And Design Chapter 2 Budget-Friendly Options
6. Navigating Circuit Analysis And Design Chapter 2 eBook Formats
 - ePub, PDF, MOBI, and More
 - Circuit Analysis And Design Chapter 2 Compatibility with Devices
 - Circuit Analysis And Design Chapter 2 Enhanced eBook Features
7. Enhancing Your Reading Experience
 - Adjustable Fonts and Text Sizes of Circuit Analysis And Design Chapter 2
 - Highlighting and Note-Taking Circuit Analysis And Design Chapter 2
 - Interactive Elements Circuit Analysis And Design Chapter 2
8. Staying Engaged with Circuit Analysis And Design Chapter 2
 - Joining Online Reading Communities
 - Participating in Virtual Book Clubs
 - Following Authors and Publishers Circuit Analysis And Design Chapter 2
9. Balancing eBooks and Physical Books Circuit Analysis And Design Chapter 2
 - Benefits of a Digital Library
 - Creating a Diverse Reading Collection Circuit Analysis And Design Chapter 2
10. Overcoming Reading Challenges
 - Dealing with Digital Eye Strain
 - Minimizing Distractions
 - Managing Screen Time
11. Cultivating a Reading Routine Circuit Analysis And Design Chapter 2
 - Setting Reading Goals Circuit Analysis And Design Chapter 2
 - Carving Out Dedicated Reading Time

12. Sourcing Reliable Information of Circuit Analysis And Design Chapter 2
 - Fact-Checking eBook Content of Circuit Analysis And Design Chapter 2
 - Distinguishing Credible Sources
13. Promoting Lifelong Learning
 - Utilizing eBooks for Skill Development
 - Exploring Educational eBooks
14. Embracing eBook Trends
 - Integration of Multimedia Elements
 - Interactive and Gamified eBooks

Circuit Analysis And Design Chapter 2 Introduction

In the digital age, access to information has become easier than ever before. The ability to download Circuit Analysis And Design Chapter 2 has revolutionized the way we consume written content. Whether you are a student looking for course material, an avid reader searching for your next favorite book, or a professional seeking research papers, the option to download Circuit Analysis And Design Chapter 2 has opened up a world of possibilities. Downloading Circuit Analysis And Design Chapter 2 provides numerous advantages over physical copies of books and documents. Firstly, it is incredibly convenient. Gone are the days of carrying around heavy textbooks or bulky folders filled with papers. With the click of a button, you can gain immediate access to valuable resources on any device. This convenience allows for efficient studying, researching, and reading on the go. Moreover, the cost-effective nature of downloading Circuit Analysis And Design Chapter 2 has democratized knowledge. Traditional books and academic journals can be expensive, making it difficult for individuals with limited financial resources to access information. By offering free PDF downloads, publishers and authors are enabling a wider audience to benefit from their work. This inclusivity promotes equal opportunities for learning and personal growth. There are numerous websites and platforms where individuals can download Circuit Analysis And Design Chapter 2 . These websites range from academic databases offering research papers and journals to online libraries with an expansive collection of books from various genres. Many authors and publishers also upload their work to specific websites, granting readers access to their content without any charge. These platforms not only provide access to existing literature but also serve as an excellent platform for undiscovered authors to share their work with the world. However, it is essential to be cautious while downloading Circuit Analysis And Design Chapter 2 . Some websites may offer pirated or illegally obtained copies of copyrighted material. Engaging in such activities not only violates copyright laws but also undermines the efforts of authors, publishers, and researchers. To ensure ethical downloading, it is advisable to utilize reputable websites that

prioritize the legal distribution of content. When downloading Circuit Analysis And Design Chapter 2 , users should also consider the potential security risks associated with online platforms. Malicious actors may exploit vulnerabilities in unprotected websites to distribute malware or steal personal information. To protect themselves, individuals should ensure their devices have reliable antivirus software installed and validate the legitimacy of the websites they are downloading from. In conclusion, the ability to download Circuit Analysis And Design Chapter 2 has transformed the way we access information. With the convenience, cost-effectiveness, and accessibility it offers, free PDF downloads have become a popular choice for students, researchers, and book lovers worldwide. However, it is crucial to engage in ethical downloading practices and prioritize personal security when utilizing online platforms. By doing so, individuals can make the most of the vast array of free PDF resources available and embark on a journey of continuous learning and intellectual growth.

FAQs About Circuit Analysis And Design Chapter 2 Books

What is a Circuit Analysis And Design Chapter 2 PDF? A PDF (Portable Document Format) is a file format developed by Adobe that preserves the layout and formatting of a document, regardless of the software, hardware, or operating system used to view or print it. **How do I create a Circuit Analysis And Design Chapter 2 PDF?** There are several ways to create a PDF: Use software like Adobe Acrobat, Microsoft Word, or Google Docs, which often have built-in PDF creation tools. Print to PDF: Many applications and operating systems have a "Print to PDF" option that allows you to save a document as a PDF file instead of printing it on paper. Online converters: There are various online tools that can convert different file types to PDF. **How do I edit a Circuit Analysis And Design Chapter 2 PDF?** Editing a PDF can be done with software like Adobe Acrobat, which allows direct editing of text, images, and other elements within the PDF. Some free tools, like PDFescape or Smallpdf, also offer basic editing capabilities. **How do I convert a Circuit Analysis And Design Chapter 2 PDF to another file format?** There are multiple ways to convert a PDF to another format: Use online converters like Smallpdf, Zamzar, or Adobe Acrobats export feature to convert PDFs to formats like Word, Excel, JPEG, etc. Software like Adobe Acrobat, Microsoft Word, or other PDF editors may have options to export or save PDFs in different formats. **How do I password-protect a Circuit Analysis And Design Chapter 2 PDF?** Most PDF editing software allows you to add password protection. In Adobe Acrobat, for instance, you can go to "File" -> "Properties" -> "Security" to set a password to restrict access or editing capabilities. Are there any free alternatives to Adobe Acrobat for working with PDFs? Yes, there are many free alternatives for working with PDFs, such as: LibreOffice: Offers PDF editing features. PDFsam: Allows splitting, merging, and editing PDFs. Foxit Reader: Provides basic PDF viewing and editing capabilities. How do I compress a PDF file? You can use online tools like Smallpdf, ILovePDF, or desktop software like Adobe Acrobat to compress PDF files without

significant quality loss. Compression reduces the file size, making it easier to share and download. Can I fill out forms in a PDF file? Yes, most PDF viewers/editors like Adobe Acrobat, Preview (on Mac), or various online tools allow you to fill out forms in PDF files by selecting text fields and entering information. Are there any restrictions when working with PDFs? Some PDFs might have restrictions set by their creator, such as password protection, editing restrictions, or print restrictions. Breaking these restrictions might require specific software or tools, which may or may not be legal depending on the circumstances and local laws.

Find Circuit Analysis And Design Chapter 2 :

America 22-1465 wearable technology trends United States 22-2509

22-2567 home organization examples for entrepreneurs 22-2243 home

privacy ideas for creators 22-2504 online privacy review America 22-1568

practices for small business 22-1756 Instagram growth best practices for

sustainable living comparison for entrepreneurs 22-878 sustainable

step for small business 22-179 sustainable living step by step for

entrepreneurs 22-1521 fitness routines explained for small business

roadmap for entrepreneurs 22-1895 cybersecurity roadmap for small

22-2272 luxury travel for beginners for startups 22-382 luxury travel

22-1979 SEO strategy apps for entrepreneurs 22-2920 SEO strategy best

22-2417 cybersecurity apps USA 22-2519 cybersecurity apps for creators

22-557 credit score improvement blueprint for small business 22-1683

lifestyle ideas for small business 22-1585 minimalist lifestyle ideas

for entrepreneurs 22-1157 interview tips case study for startups 22-2496

entrepreneurs 22-2414 Instagram growth best practices for creators

Circuit Analysis And Design Chapter 2 :

[magie della scienza tanti esperimenti per esplora old vulkk](#) - Apr 30 2022

web mobi magie della scienza tanti esperimenti per esplorare 16 spettacolari trucchi magici ed esperimenti di scienza 20

grandi esperimenti di scienza 24 incredibili esperimenti da provare ora 16 pazzeschi esperimenti che puoi fare a casa

[magie della scienza tanti esperimenti per esplora download](#) - Jan 28 2022

web tanti esperimenti per esplorare il magie della scienza tanti esperimenti per esplorare il mondo intorno a te italian edition ebook mazza padoa schioppa pini amazon co uk kindle storemagie della scienza tanti esperimenti per esplorare il

magie della scienza tanti esperimenti per esplorare il mondo - Mar 10 2023

web magie della scienza tanti esperimenti per esplorare il mondo intorno a te by pini mazza padoa schioppa magie della scienza tanti esperimenti per esplorare il mondo intorno a te by pini mazza padoa schioppa gli esperimenti al lep del cern risultati scientifici e mame mantova ambiente educazione tea s p a catalogo editoriale scienza

magie della scienza tanti esperimenti per esplorare il mondo - Oct 05 2022

web sei curioso di capire come funziona il mondo intorno a te hai voglia di mettere alla prova le tue ipotesi fare esperimenti allestire un laboratorio insomma di giocare a fare lo

magie della scienza tanti esperimenti per esplorare il mondo - Feb 26 2022

web per esplorare magie della scienza tanti esperimenti per esplor magie della scienza tanti esperimenti per esplorare il a scuola di scienza libro per imparare la scienza it esperimenti scientifici per bambini libri gli esperimenti al lep del cern risultati scientifici e cento esperimenti divertenti usborne publishing trama magie della

magie della scienza tanti esperimenti per esplorare il mondo - Nov 06 2022

web magie della scienza tanti esperimenti per esplorare il mondo è un libro scritto da pini mazza padoa schioppa pubblicato da editoriale scienza nella collana a tutta scienza libreria it

magie della scienza tanti esperimenti per esplorare il mondo - Jul 14 2023

web magie della scienza tanti esperimenti per esplorare il mondo mazza padoa schioppa pini davini anna carabelli francesca amazon it libri libri libri per bambini testi di formazione e consultazione nuovo 9 52 prezzo consigliato 11 90 20 e resi gratuiti quantità spedizione amazon venditore amazon spedizione amazon

magie della scienza tanti esperimenti per esplorare il mondo - Jun 01 2022

web magie della scienza tanti esperimenti per esplorare il mondo intorno a te magie della scienza è una bellissima raccolta per bambini di 41 esperimenti per scienziati in erba ideale per tutti coloro che vogliono allestire un piccolo laboratorio in casa e testare con mano la scienza magie della scienza tanti esperimenti per esplorare il mondo

magie della scienza tanti esperimenti per esplorare il mondo - Mar 30 2022

web jun 13 2023 libro magie della scienza tanti esperimenti per esplorare carabelli recensioni amp classifica infostranieri articoli 2014 di emmeciquadro ilsussidiario net cento esperimenti divertenti usborne publishing trama magie della scienza tanti esperimenti il mondo di chri magie della scienza tanti esperimenti per esplor magie della scienza

magie della scienza tanti esperimenti per esplorare il mondo - Aug 15 2023

web magie della scienza tanti esperimenti per esplorare il mondo copertina flessibile 17 settembre 2014 di pini mazza padoa

schioffa autore anna davini a cura di francesca carabelli illustratore 61 voti visualizza tutti i formati ed edizioni

magie della scienza tanti esperimenti per esplorare il mondo - May 12 2023

web magie della scienza tanti esperimenti per esplorare il mondo intorno a te ebook written by pini mazza padoa schioffa
read this book using google play books app on your pc android

magie della scienza tanti esperimenti per esplora old vulkk - Jul 02 2022

web 32 spettacolari idee fai da te con cose comuni 7 esperimenti che producono illusioni ottiche 23 facili esperimenti che puoi provare immediatamente what was the miller urey experiment 2 second lean italian audiobook italiano ivaniloqui pop 7 un chimico i limiti della scienza indovina l esperimento

magie della scienza esperimenti per bambini editoriale scienza - Jun 13 2023

web magie della scienza tanti esperimenti per esplorare il mondo assaggio dell interno sfoglia libro autore pini mazza padoa schioffa a cura di anna davini illustratore francesca carabelli età da 8 anni collana a tutta scienza argomento fisica biologia chimica tipologia attività esperimenti giochi pagine 96

magie della scienza tanti esperimenti per esplorare il mondo - Apr 11 2023

web magie della scienza tanti esperimenti per esplorare il mondo intorno a te ebook mazza padoa schioffa pini amazon it kindle store

magie della scienza tanti esperimenti per esplorare il mondo - Dec 07 2022

web magie della scienza tanti esperimenti per esplorare il mondo è un libro di mazza padoa schioffa pini e davini a cura pubblicato da editoriale scienza nella collana a tutta scienza sconto 5 isbn 9788873079941

magie della scienza tanti esperimenti per esplorare il mondo - Jan 08 2023

web magie della scienza tanti esperimenti per esplorare il mondo è un libro di pini mazza padoa schioffa pubblicato da editoriale scienza nella collana a tutta scienza acquista su lafeltrinelli a 9 40

magie della scienza tanti esperimenti per esplorare il mondo - Aug 03 2022

web jun 3 2021 magie della scienza tanti esperimenti per esplorare il mondo autore mazza padoa schioffa pini editore editoriale scienza isbn 9788873079941 categoria letteratura per ragazzi numero pagine 96 data di uscita 03 06 2021 collana a tutta scienza 11 90 esaurito sinossi sei curioso di capire come funziona il mondo intorno

magie della scienza tanti esperimenti per esplorare il mondo - Dec 27 2021

web tanti esperimenti libro magie della scienza tanti esperimenti per esplorare magie della scienza tanti esperimenti per esplorare il magie della scienza libro di pini mazza padoa schioffa a scuola di scienza

magie della scienza tanti esperimenti per esplorare il mondo - Feb 09 2023

web magie della scienza tanti esperimenti per esplorare il mondo è un libro di pini mazza padoa schioffa pubblicato da

editoriale scienza nella collana a tutta scienza acquista su ibs a 9 40

[magie della scienza tanti esperimenti il mondo di chri](#) - Sep 04 2022

web may 12 2020 recensione magie della scienza tanti esperimenti per esplorare il mondo intorno a te magie della scienza è una bellissima raccolta per bambini di 41 esperimenti per scienziati in erba ideale per tutti coloro che vogliono allestire un piccolo laboratorio in casa e testare con mano la scienza

[restoring a vintage zenith table top am fm receiver from the 60s](#) - Jun 29 2023

web to illustrate the restoration process i m going to use a popular zenith am fm superheterodyne receiver from the 1960s the h845 c845 it s shown fully refurbished in figure 1 figure 1 zenith radio after restoration with dim bulb current limiter variac and isolation transformer

pdf zenith r transistor radios evolution of a classic issuu - May 29 2023

web aug 4 2023 7 minutes ago download pdf zenith r transistor radios evolution of a classic paradigm visual series here for the first time is a complete guide to all the wonderful transistor

zenith r transistor radios evolution of a classic paradigm - Jul 31 2023

web dec 12 1997 zenith r transistor radios evolution of a classic paradigm visual series paperback december 12 1997 here for the first time is a complete guide to all the wonderful transistor radios produced by the zenith radio corporation during the magic years when transistor radio design was constantly being improved

zenith r transistor radios evolution of a classic paradigm - Nov 22 2022

web attention your epaper is waiting for publication by publishing your document the content will be optimally indexed by google via ai and sorted into the right category for over 500 million epaper readers on yumpu

[zenith transistor radios evolution of a classic a 2023](#) - Aug 20 2022

web zenith transistor radios evolution of a classic a zenith radio harold n cones 2003 these two volumes zenith radio the glory years 1936 1945 tell the story and highlight the products of the zenith radio corporation between the early years 1919 1935 and the end of world war ii history and product begins with an

view topic 1960s zenith am fm transistor radio antique radios - Feb 23 2023

web member joined oct sat 12 2013 11 46 pm posts 142 hello everyone i had bought a what i m assuming to be a mid to late 1960s vintage zenith am fm pocket transistor radio model number rb21y which is also known as the zenith royal b21 transistor radio at a local antique mall for 10 and to be quite honest i only bought it because it

[download pdf zenith r transistor radios evolution of a classic](#) - May 17 2022

web description here for the first time is a complete guide to all the wonderful transistor radios produced by the zenith radio corporation during the read home explore advertisement download pdf zenith r transistor radios evolution of a classic

paradigm visual series report caseparsons follow may 4 2021

[zenith transistor radios radiomuseum.org](#) - Jan 25 2023

web 4880 lower valley road atglen pa 19310 0 7643 0015 6 date of issue date of first publication periodicity 1998

zenith transistor radios evolution of a classic a 2023 - Feb 11 2022

web zenith s impact on early radio history with photographs documents and information as well as color portraits of many zenith radios of the era zenith transistor radios modern library

zenith transistor radios schifferbooks - Apr 15 2022

web here for the first time is a complete guide to all the wonderful transistor radios produced by the zenith radio corporation during the magic years when transistor radio design was constantly being improved

zenith transistor radios evolution of a classic by norman r - Mar 27 2023

web item 1 zenith r transistor radios evolution of a classic by norman r smith english zenith r transistor radios evolution of a classic by norman r smith english 26 25 free shipping

zenith r transistor radios evolution of a classic - Mar 15 2022

web this comprehensive book includes a complete listing of all transistor radio models created by zenith from 1955 through 1965 outstanding color photos from original zenith sales sheets as well as information on each model are presented in

zenith r transistor radios evolution of a classic abebooks - Dec 24 2022

web zenith r transistor radios evolution of a classic paradigm visual series by smith norman r isbn 10 0764300156 isbn 13 9780764300158 schiffer publishing 1997 softcover

[free zenith transistor radios evolution of a classic a pdf](#) - Jul 19 2022

web those all we present zenith transistor radios evolution of a classic a pdf and numerous book collections from fictions to scientific research in any way accompanied by them is this zenith transistor radios evolution of a classic a pdf that can be your partner american book publishing record 1998 ready for a brand new beat mark

kindle online pdf zenithr transistor radios evolution of a classic - Apr 27 2023

web kindle online pdf zenithr transistor radios evolution of a classic paradigm visual series free acces studocu kindle online pdf zenithr transistor radios evolution of a classic paradigm visual series free acces prerogative powers and conventions public law law4001

zenith r transistor radios evolution of a classic goodreads - Oct 22 2022

web this comprehensive book includes a complete listing of all transistor radio models created by zenith from 1955 through 1965 outstanding color photos from original zenith sales sheets as well as information on each model are presented in

pdf read zenith r transistor radios evolution of a classic - Oct 02 2023

web download zenith r transistor radios evolution of a classic paradigm visual series read zenith r transistor radios evolution of a classic paradigm visual series description here for the first time is a complete guide to all the wonderful transistor radios produced by the zenith radio corporation during the amp quotmagic years

zenith transistor radios evolution of a classic by norman smith - Sep 20 2022

web here for the first time is a complete guide to all the wonderful transistor radios produced by the zenith radio corporation during the magic years when transistor radio design was constantly being improved

a transistor museum interview with ray andrejasich - Jun 17 2022

web and started working in may for the zenith radio corporation in the transistor radio group from 1957 to 1967 ray worked on component analysis started transistorized rf and if circuit design work was on a two year military leave of absence and designed portable radios for domestic manufacturing from 1967 to 1971 ray was the group

zenith transistor radios evolution of a classic a pdf - Sep 01 2023

web 2 zenith transistor radios evolution of a classic a 2022 01 22 zenith transistor radios evolution of a classic a downloaded from solutions milnerbrowne com by guest colon mcneil this is jerusalem calling zenith transistor radios selected by the modern library as one of the 100 best nonfiction books of all time from the modern

what is heredity biology q a byju s - Dec 27 2021

web heredity is the mechanism by which characteristics resemblances and differences are passed down from one generation to the next gene is the unit of heredity genetics is the study of heredity in biology gregor mendel proposed the laws of inheritance the three laws of inheritance are law of dominance the law of segregation and the law

notes check quia - Jan 28 2022

web created date 10 30 2009 6 19 35 am

answer key for science heredity note taking - Jun 13 2023

web notes note taking heredity answers pdf download note taking worksheet study sets and flashcards quizlet genetics and heredity answer key helpsteaching com free download here pdfsdocuments2 com heredity and genetics unit test answer key daroot de eighth grade lesson in mendel 3 10 mendel s three laws eighth grade

note taking heredity teacher guide pdf forms iibr edu - Mar 10 2023

web this extraordinary book aptly titled note taking heredity teacher guide compiled by a very acclaimed author immerses readers in a captivating exploration of the significance of language and its profound impact on our existence

inheritance make a note of that pas app14 com - Jun 01 2022

web styles of note taking 1 charting bills 2 cornell notes 3 mind mapped 4 fill in the blank each note taking style page comprises guided notes by the different section of significant wisdom that you can download after the downloadable files

section genetics study of genetics underscored words and idioms are into be filled in by

[note taking heredity answers pdf full pdf isandjules com](#) - Feb 09 2023

web may 12 2023 note taking heredity answers pdf as recognized adventure as skillfully as experience roughly lesson amusement as competently as concurrence can be gotten by just checking out a book note taking heredity answers pdf afterward it is not directly done you could believe even more a propos this life all but the world

note taking heredity answers secure4 khronos - Jan 08 2023

web jun 20 2023 bargains to retrieve and set up note taking heredity answers therefore simple acknowledgment for obtaining note taking heredity answers secure4 khronos org 1 4

[downloadable free pdfs note taking heredity answers pdf](#) - Dec 07 2022

web its roughly what you dependence currently this note taking heredity answers pdf as one of the most committed sellers here will enormously be accompanied by the best options to review cell biology and genetics ania l manson 2002 don t panic crash course is here the perfect set of course notes that you have until now only dreamt of

heredity definition facts britannica - Aug 15 2023

web sep 14 2023 heredity the sum of all biological processes by which particular characteristics are transmitted from parents to their offspring the concept of heredity encompasses two seemingly paradoxical observations the constancy of a species between generations and the variation among individuals within a species

[note taking heredity answers help discoveram](#) - Feb 26 2022

web may 22 2023 note taking heredity answers a scriptural framework leads to specific expectations about the genetic differences among humans and other species expectations that can be scientifically tested against modern genetic data pearson prentice hall and our other respected imprints provide educational materials technologies assessments and

note taking worksheet heredity gictltd com - Jul 02 2022

web possible genotypes can i question posed in worksheet for packed with note taking heredity is not naturally curly hair consume esc key points on heredity note taking worksheet the left thumb or download the topic and freckles dyed pasta sit in it is evaluated by reading passage also be chase mortgage pre online

note taking heredity answers help environment harvard edu - Oct 05 2022

web note taking heredity answers thank you very much for downloading note taking heredity answers as you may know people have search hundreds times for their favorite readings like this note taking heredity answers but end up in malicious downloads rather than enjoying a good book with a cup of coffee in the afternoon instead they

[note taking heredity answers win raid com](#) - Aug 03 2022

web 2 note taking heredity answers 2020 08 17 transmission through language and other forms of symbolic communication

these systems they argue can all provide variations on which natural selection can act jablonka and lamb present a richer more complex view of evolution than that offered by the gene based modern synthesis

11 questions with answers in heredity science topic - Apr 30 2022

web may 15 2023 the transmission of traits encoded in genes from parent to offspring review and cite heredity protocol troubleshooting and other methodology information contact experts in heredity to get

unit 4 genetics handouts and lecture notes marric - Jul 14 2023

web unit 4 genetics heredity overview word answers genetics practice problem sets 1 homozygous vs heterozygous phenotype vs genotypes punnett squares word 2 writing genotype alleles word 3 gametes and monohybrid crosses word 4 review practice and vocabulary word 5 co dominance blood typing word what is blood word practice

read online note taking heredity answers read pdf free - Nov 06 2022

web we allow note taking heredity answers and numerous books collections from fictions to scientific research in any way accompanied by them is this note taking heredity answers that can be your partner

heredity note taking worksheet answer key - May 12 2023

web heredity note taking worksheet answer key redirect download genetics unit tests review sheet pdf after seconds of redirection download genetics unit review sheet pdf in a few seconds these stations give students a fun way to practice genetics and the twithness of concepts stations include questions about dominant and recessive alleles genotypes

[note taking heredity answers pdf pdf features kualumni](#) - Apr 11 2023

web title note taking heredity answers pdf pdf features kualumni org created date 9 7 2023 3 56 06 am

[answer key for science heredity note taking](#) - Sep 04 2022

web note taking heredity answers pdf download lesson 4 6 life science heredity minnesota literacy council eighth grade lesson in mendel 3 10 mendel s three laws april 26th 2018 life science heredity and explain mendel s three laws and how they relate to

note taking heredity answers postwar hausderkunst de - Mar 30 2022

web aug 14 2023 may 6th 2018 the psychology questions amp answers page is a knowledge sharing resource where anybody can ask or answer a question relating to the fascinating world of psychology twin adoption and family studies personality research may 6th 2018 peer commentary addictive behaviors heredity or environment samantha p