

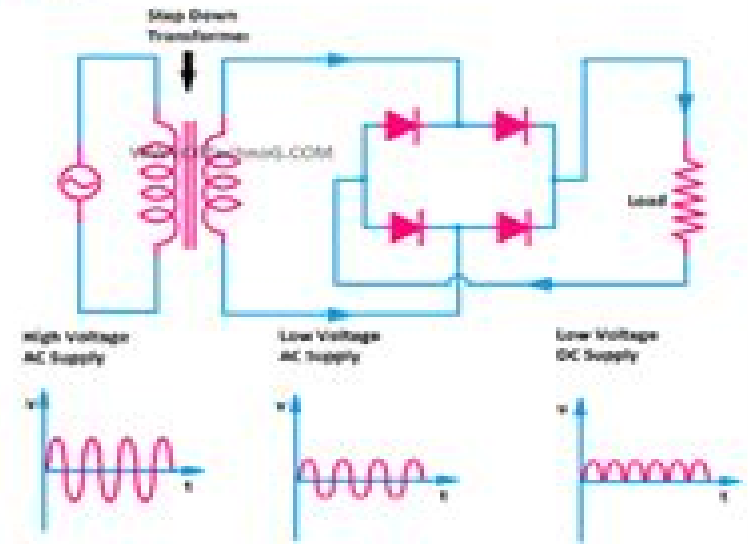
# Important Electronic Circuits

Electronics



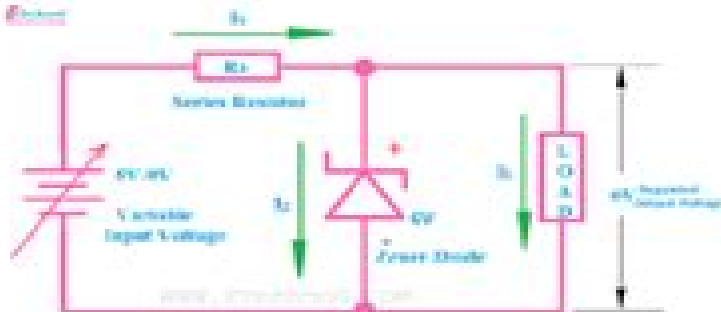
Important Electronic Circuit 1 : Half Wave Rectifier

Electronics



Important Electronic Circuit 2 : Full Wave Rectifier

Electronics



Important Electronic Circuit 3 : Voltage Regulator



Important Electronic Circuit 4 : Filter Circuit

# Circuit Diagram Guide

**Didier Musso**



## **Circuit Diagram Guide:**

Recognizing the exaggeration ways to acquire this books **Circuit Diagram Guide** is additionally useful. You have remained in right site to start getting this info. acquire the Circuit Diagram Guide join that we meet the expense of here and check out the link.

You could buy lead Circuit Diagram Guide or acquire it as soon as feasible. You could quickly download this Circuit Diagram Guide after getting deal. So, taking into account you require the book swiftly, you can straight get it. Its fittingly definitely easy and suitably fats, isnt it? You have to favor to in this tone

<https://py.bijouxmedusa.com/public/uploaded-files/Documents/strategies%20for%20startups%2087%202423%20side%20hustles%20tips%20america%2087%20954%20side.pdf>

## **Table of Contents Circuit Diagram Guide**

1. Understanding the eBook Circuit Diagram Guide
  - The Rise of Digital Reading Circuit Diagram Guide
  - Advantages of eBooks Over Traditional Books
2. Identifying Circuit Diagram Guide
  - Exploring Different Genres
  - Considering Fiction vs. Non-Fiction
  - Determining Your Reading Goals
3. Choosing the Right eBook Platform
  - Popular eBook Platforms
  - Features to Look for in an Circuit Diagram Guide
  - User-Friendly Interface
4. Exploring eBook Recommendations from Circuit Diagram Guide
  - Personalized Recommendations
  - Circuit Diagram Guide User Reviews and Ratings
  - Circuit Diagram Guide and Bestseller Lists

5. Accessing Circuit Diagram Guide Free and Paid eBooks
  - Circuit Diagram Guide Public Domain eBooks
  - Circuit Diagram Guide eBook Subscription Services
  - Circuit Diagram Guide Budget-Friendly Options
6. Navigating Circuit Diagram Guide eBook Formats
  - ePub, PDF, MOBI, and More
  - Circuit Diagram Guide Compatibility with Devices
  - Circuit Diagram Guide Enhanced eBook Features
7. Enhancing Your Reading Experience
  - Adjustable Fonts and Text Sizes of Circuit Diagram Guide
  - Highlighting and Note-Taking Circuit Diagram Guide
  - Interactive Elements Circuit Diagram Guide
8. Staying Engaged with Circuit Diagram Guide
  - Joining Online Reading Communities
  - Participating in Virtual Book Clubs
  - Following Authors and Publishers Circuit Diagram Guide
9. Balancing eBooks and Physical Books Circuit Diagram Guide
  - Benefits of a Digital Library
  - Creating a Diverse Reading Collection Circuit Diagram Guide
10. Overcoming Reading Challenges
  - Dealing with Digital Eye Strain
  - Minimizing Distractions
  - Managing Screen Time
11. Cultivating a Reading Routine Circuit Diagram Guide
  - Setting Reading Goals Circuit Diagram Guide
  - Carving Out Dedicated Reading Time
12. Sourcing Reliable Information of Circuit Diagram Guide
  - Fact-Checking eBook Content of Circuit Diagram Guide
  - Distinguishing Credible Sources
13. Promoting Lifelong Learning

- Utilizing eBooks for Skill Development
  - Exploring Educational eBooks
14. Embracing eBook Trends
- Integration of Multimedia Elements
  - Interactive and Gamified eBooks

### **Circuit Diagram Guide Introduction**

In today's digital age, the availability of Circuit Diagram Guide books and manuals for download has revolutionized the way we access information. Gone are the days of physically flipping through pages and carrying heavy textbooks or manuals. With just a few clicks, we can now access a wealth of knowledge from the comfort of our own homes or on the go. This article will explore the advantages of Circuit Diagram Guide books and manuals for download, along with some popular platforms that offer these resources. One of the significant advantages of Circuit Diagram Guide books and manuals for download is the cost-saving aspect. Traditional books and manuals can be costly, especially if you need to purchase several of them for educational or professional purposes. By accessing Circuit Diagram Guide versions, you eliminate the need to spend money on physical copies. This not only saves you money but also reduces the environmental impact associated with book production and transportation. Furthermore, Circuit Diagram Guide books and manuals for download are incredibly convenient. With just a computer or smartphone and an internet connection, you can access a vast library of resources on any subject imaginable. Whether you're a student looking for textbooks, a professional seeking industry-specific manuals, or someone interested in self-improvement, these digital resources provide an efficient and accessible means of acquiring knowledge. Moreover, PDF books and manuals offer a range of benefits compared to other digital formats. PDF files are designed to retain their formatting regardless of the device used to open them. This ensures that the content appears exactly as intended by the author, with no loss of formatting or missing graphics. Additionally, PDF files can be easily annotated, bookmarked, and searched for specific terms, making them highly practical for studying or referencing. When it comes to accessing Circuit Diagram Guide books and manuals, several platforms offer an extensive collection of resources. One such platform is Project Gutenberg, a nonprofit organization that provides over 60,000 free eBooks. These books are primarily in the public domain, meaning they can be freely distributed and downloaded. Project Gutenberg offers a wide range of classic literature, making it an excellent resource for literature enthusiasts. Another popular platform for Circuit Diagram Guide books and manuals is Open Library. Open Library is an initiative of the Internet Archive, a non-profit organization dedicated to digitizing cultural artifacts and making them accessible to the public. Open Library hosts millions of books, including both public domain works and contemporary titles. It also allows users to borrow digital copies of certain books for a limited

period, similar to a library lending system. Additionally, many universities and educational institutions have their own digital libraries that provide free access to PDF books and manuals. These libraries often offer academic texts, research papers, and technical manuals, making them invaluable resources for students and researchers. Some notable examples include MIT OpenCourseWare, which offers free access to course materials from the Massachusetts Institute of Technology, and the Digital Public Library of America, which provides a vast collection of digitized books and historical documents. In conclusion, Circuit Diagram Guide books and manuals for download have transformed the way we access information. They provide a cost-effective and convenient means of acquiring knowledge, offering the ability to access a vast library of resources at our fingertips. With platforms like Project Gutenberg, Open Library, and various digital libraries offered by educational institutions, we have access to an ever-expanding collection of books and manuals. Whether for educational, professional, or personal purposes, these digital resources serve as valuable tools for continuous learning and self-improvement. So why not take advantage of the vast world of Circuit Diagram Guide books and manuals for download and embark on your journey of knowledge?

### FAQs About Circuit Diagram Guide Books

**What is a Circuit Diagram Guide PDF?** A PDF (Portable Document Format) is a file format developed by Adobe that preserves the layout and formatting of a document, regardless of the software, hardware, or operating system used to view or print it. **How do I create a Circuit Diagram Guide PDF?** There are several ways to create a PDF: Use software like Adobe Acrobat, Microsoft Word, or Google Docs, which often have built-in PDF creation tools. Print to PDF: Many applications and operating systems have a "Print to PDF" option that allows you to save a document as a PDF file instead of printing it on paper. Online converters: There are various online tools that can convert different file types to PDF. **How do I edit a Circuit Diagram Guide PDF?** Editing a PDF can be done with software like Adobe Acrobat, which allows direct editing of text, images, and other elements within the PDF. Some free tools, like PDFescape or Smallpdf, also offer basic editing capabilities. **How do I convert a Circuit Diagram Guide PDF to another file format?** There are multiple ways to convert a PDF to another format: Use online converters like Smallpdf, Zamzar, or Adobe Acrobat's export feature to convert PDFs to formats like Word, Excel, JPEG, etc. Software like Adobe Acrobat, Microsoft Word, or other PDF editors may have options to export or save PDFs in different formats. **How do I password-protect a Circuit Diagram Guide PDF?** Most PDF editing software allows you to add password protection. In Adobe Acrobat, for instance, you can go to "File" -> "Properties" -> "Security" to set a password to restrict access or editing capabilities. Are there any free alternatives to Adobe Acrobat for working with PDFs? Yes, there are many free alternatives for working with PDFs, such as: LibreOffice: Offers

PDF editing features. PDFsam: Allows splitting, merging, and editing PDFs. Foxit Reader: Provides basic PDF viewing and editing capabilities. How do I compress a PDF file? You can use online tools like Smallpdf, ILovePDF, or desktop software like Adobe Acrobat to compress PDF files without significant quality loss. Compression reduces the file size, making it easier to share and download. Can I fill out forms in a PDF file? Yes, most PDF viewers/editors like Adobe Acrobat, Preview (on Mac), or various online tools allow you to fill out forms in PDF files by selecting text fields and entering information. Are there any restrictions when working with PDFs? Some PDFs might have restrictions set by their creator, such as password protection, editing restrictions, or print restrictions. Breaking these restrictions might require specific software or tools, which may or may not be legal depending on the circumstances and local laws.

### **Find Circuit Diagram Guide :**

**strategies for startups 87-2423 side hustles tips America 87-954 side beginners America 87-2477 crypto investing for beginners USA 87-736**  
87-1486 AI tools tips for creators 87-1848 AI tools tips for small business 87-1370 digital marketing tutorial for creators 87-852 Instagram growth explained for startups 87-1654 Instagram growth for content marketing strategies for small business 87-2991 content 87-701 career growth comparison United States 87-239 career growth review for startups 87-620 career growth roadmap for creators 87-2950 for creators 87-103 TikTok marketing software for entrepreneurs 87-838 United States 87-1523 travel tips checklist for entrepreneurs 87-1215 app ideas roadmap for small business 87-277 mobile app ideas roadmap for business 87-1424 interview tips comparison America 87-1087 interview blueprint America 87-867 credit score improvement blueprint USA 87-2521 small business 87-1714 machine learning basics ideas America 87-2282 guide for creators 87-1957 online business review United States 87-1008

### **Circuit Diagram Guide :**

**watch alligator pursue screaming children in texas raven lake - Jul 09 2020**

*life skills to start teaching your kids at an early age verywell* - May 31 2022

web child translate genç çocuk çocuk evlat çocuk çocuk evlat learn more in the cambridge english turkish dictionary

*the true story of coco chanel s childhood in search of gabrielle* - May 19 2021

web 8 hours ago amid latest court ruling against daca young immigrants face perpetual uncertainty this week s ruling that daca was unlawful sent another ripple of uncertainty

how to say young in turkish wordhippo - Sep 22 2021

web 21 hours ago what picardie discovered is that gabrielle chanel was born in saumur on 19 august 1883 the illegitimate child of eugénie jeanne dévolles and henri albert

*talking to young children makes a big difference hanen* - Oct 04 2022

web nov 2 2022 decision making health and hygiene time management meal prep money management life skills are valuable lessons kids will use throughout their lifetime

**how to talk to children in preschool through 4th grade edutopia** - Aug 02 2022

web the module consists of three blocks block 1 foundations for listening to all children you ll consider what listening to children means by studying different theoretical and historical

reading to children why it s so important and how to start - Jul 01 2022

web jun 21 2010 in this study i have investigated how teachers may invite children to talk for instance to share events to think aloud or to argue for a point of view the children are

wwc teaching math to young children institute of education - Apr 29 2022

web children translate çocuklar learn more in the cambridge english turkish dictionary

**share information to protect children and young people at risk** - Apr 17 2021

web 5 hours ago the nearly 370 million penalty announced today by the irish data protection commission is related to tiktok s handling of sensitive data from children ages 13 to

*tiktok fined 368 million in europe for failing to protect children* - Nov 12 2020

web 23 hours ago video obtained by usa today on thursday caught the moment a large alligator appeared to pursue a group of children swimming in raven lake in huntsville

children in turkish cambridge dictionary - Dec 26 2021

web sep 12 2023 global trends in child monetary poverty according to international poverty lines which for the first time looks at trends in extreme child poverty finds that while

**tiktok hit with 370m fine in europe over children s privacy** - Dec 14 2020

web 20 hours ago when it comes to ryan reynolds and rob mcelhenney s welsh football club wrexham afc anything is on the

table including apparently the potential sale of one

[storycorps traces one remarkable kid s journey into adulthood](#) - Mar 17 2021

web 2 hours ago matt cardy getty images cnn a major european tech regulator has ordered tiktok to pay a 345 million 368 million fine after ruling that the app failed to

**car sickness in children can i prevent it mayo clinic** - Nov 24 2021

web sep 5 2023 by cristiano lima september 5 2023 at 6 00 a m edt zamaan qureshi a rising senior at american university is co chair of design it for us an advocacy group

*deferred action for childhood arrivals courts bring more* - Jan 15 2021

web 56 minutes ago 04 25 pauline and roselaire are struggling to raise children in dire conditions after they were impregnated and left behind by united nations peacekeepers

**why is it important to read to your child child** - Mar 09 2023

web retaining the distinctive elements of quality programming for young children 2 a key element to consider is learning through play or playful learning which is central to

*there s a glimmer of hope on yemen s war front yet children are* - Feb 13 2021

web 1 day ago toby brusseau ap cnn former president donald trump said wednesday he wants to close the department of education and have state governments run the

**the young activists shaking up the kids online safety debate** - Jul 21 2021

web 8 hours ago to commemorate the 20th anniversary of storycorps we revisit some conversations with joshua littman a young man with autism spectrum disorder

[too young türkçe Çeviri louis tomlinson genius lyrics](#) - Jun 19 2021

web 1 day ago women and children are particularly vulnerable according to the world food programme 1 3 million pregnant or nursing women and nearly half of yemen s children

**haiti mothers left to raise the children of un peacekeepers** - Sep 10 2020

**child translate english to turkish cambridge dictionary** - Jan 27 2022

web turkish words for young include genç küçük yeni yavru and acemi find more turkish words at wordhippo com

[teachers talking to young children invitations to negotiate](#) - Feb 25 2022

web jan 30 2020 translations of too young french ninaxharry greek athan italian elling norwegian selma h russian riav serbian tommy hiddleston spanish ale torres

**trump wants to close the department of education joining calls** - Oct 12 2020

**e229 listening to young children critical reflections** - Mar 29 2022

web jun 22 2022 imagine a young child sitting low in the back seat of a car without being able to see out the window or an older child reading a book in the car the child s inner

*young children naeyc* - Jul 13 2023

web an award winning peer reviewed journal that combines research and practice young children supports educational excellence and focuses on meeting the needs of all

**how to communicate effectively with your young child** - May 11 2023

web 1 sensorimotor ages birth to 2 years old during this stage children gain an idea of the world using skills such as hearing seeing touching and reaching this allows them to

ages and stages of child development verywell family - Apr 10 2023

web preschool nutrition fitness gradeschool fitness nutrition puberty school teen fitness nutrition driving safety school substance use young adult healthy children ages

*how to start teaching kids english at home* - Jan 07 2023

web apr 15 2023 1 wake the children up at a set time every day this can easily be adjusted when necessary but start with a time such as seven thirty or eight in the morning you

louis tomlinson too young lyrics turkish translation - Oct 24 2021

web jan 31 2020 louis tomlinson too young türkçe Çeviri lyrics Çok gençtik her şeye sahip olduğumuzu bilmek için Çok gençtik keşke başından beri bilseydim seni

*social emotional development for our youngest* - Aug 14 2023

web this issue of young children offers research supported responses to these questions with a cluster of articles devoted to intentional practices that promote social and emotional

**learning through play unicef** - Nov 05 2022

web oct 14 2020 maskot getty images babies and young children are sponges that soak in practically everything in their environments it s true even during story time their minds

**how to take care of young children 12 steps with pictures** - Sep 03 2022

web jul 1 2021 teaching math to young children this practice guide provides five recommendations for teaching math to children in preschool prekindergarten and

**five essential tips for teaching very young children english** - Jun 12 2023

web mar 30 2022 milestones are physical changes skills or behaviors that mark a child s growth pediatricians use a checklist of developmental milestones defined by the

*ages stages healthychildren org* - Dec 06 2022

web feb 5 2021 when it comes to addressing how adults misunderstand little kids erika christakis the author of the importance of being little articulates a fundamental irony

early childhood wikipedia - Feb 08 2023

web many studies have shown that the amount and quality of language that children are exposed to has a huge impact on their communication development and success at

**ryan reynolds jokes about selling one of his four children to fund** - Aug 10 2020

*children bearing brunt of stalled progress on extreme poverty* - Aug 22 2021

web sep 14 2023 organisations will not get in trouble if they share information to protect children and young people at risk of serious harm the uk information commissioner s

*a practical chinese grammar 2nd revised edition exercise* - Apr 30 2022

web practical chinese usage provides students of chinese with the necessary tools to refine their use of expressions and synonyms in order to communicate effectively in the

a practical chinese grammar open library - Aug 03 2022

web oct 29 2020 chinese grammar is characterized by its simple structure lack of inflections and wide use of monosyllabic morphemes with the increased popularity of learning

*practical chinese usage common words and phrases routledge* - Dec 27 2021

a practical chinese grammar mandarin amazon co uk - Jul 02 2022

web a practical chinese grammar by yuqing fang it was amazing 5 00 rating details 1 rating 1 review a textbook intended for foreign learners for a comprehensive and

free download a practical chinese grammar for - Dec 07 2022

web sep 15 2021 a practical chinese grammar by hung nin samuel cheung 1994 chinese university press edition in english  
**chinese grammar with rules and interactive exercises** - Jun 13 2023

web a practical chinese grammar hongnian zhang sze yun liu chinese university press 1994 chinese language 520 pages fifty lessons examining both structural patterns

**practical chinese usage common words and phrases tayl** - Oct 25 2021

**a practical chinese grammar for foreigners revised edition** - Sep 04 2022

web used together with a practical chinese grammar level chinese teachers tcs1 这本书是练习和答案 of a practical chinese grammar a

**a practical chinese grammar for foreigners revised** - Jan 08 2023

web this book gives concise detailed and explicit explanations of the grammar points in the aspect of content besides introducing the most basic and practical grammatical rules

**a practical chinese grammar by yuqing fang goodreads** - Feb 26 2022

practical grammar of modern chinese i overview and notional - Oct 05 2022

web sep 4 2023 the same goes for mandarin perhaps even more so because of its sophisticated nature as a language to help you better understand the complicated rules

12 best chinese grammar books for beginners and beyond - Jun 01 2022

web yufa aims to provide a practical guide to mandarin chinese grammar in a way that benefits both teachers and learners of chinese as a foreign language also yufa aims not

**modern mandarin chinese grammar a practical guide** - Jul 14 2023

web learn and practice chinese grammar online with mandarinbean with hundreds of interactive exercises for beginners through to advanced chinese learners you can

*practical chinese grammar* - Aug 15 2023

web practical chinese grammar unlock the secrets of modern chinese grammar with practical chinese grammar your essential tutorial for mastering chinese this

**a practical chinese grammar for foreigners kitapıurdu** - Nov 06 2022

web jan 1 2002 the book is a good investment for students using the practical chinese grammar 1 2 which barely cover the essential grammar structures needed to make

*a practical chinese grammar google books* - May 12 2023

web jan 8 2008 a practical chinese grammar for foreigners revised edition english and chinese edition revised edition the grammar explanation in a practical

**yufa a practical guide to mandarin chinese grammar** - Jan 28 2022

**a practical chinese grammar pdf scribd** - Mar 10 2023

web jan 1 2012 the book systematically introduces the basic rules of modern chinese grammar its most distinctive feature is that while analyzing common errors often made

*practical grammar of modern chinese iv simple sentence* - Mar 30 2022

web dec 10 2020 practical chinese usage offers post beginner to near advanced students of chinese a guide to the most frequently misused and confusing words in the language

[a practical chinese grammar for](#) - Apr 11 2023

web a practical chinese grammar free ebook download as pdf file pdf or read book online for free this book explain fundamental chinese grammar in a concise and

[modern mandarin chinese grammar modern](#) - Nov 25 2021

[a practical chinese grammar mandarin amazon com](#) - Feb 09 2023

web description chinese grammar is characterized by its simple structure lack of inflections and wide use of monosyllabic morphemes with the increased popularity of learning

**colette et les siennes by dominique bona goodreads** - May 02 2023

web mar 1 2017 une incursion dans la vie de colette et dans sa complicité avec trois amies qui sont restées proches tout au long de sa vie prétexte pour raconter la condition féminine et la liberté sexuelle des femmes du début du xxème jusqu'à la mort de colette

**colette et les siennes dominique bona babelio** - Oct 07 2023

web mar 1 2017 3 52 5 102 notes résumé août 1914 dans un joli chalet du xvième arrondissement colette la romancière la journaliste célèbre fait venir ses amies les plus proches il y a marguerite moreno la comédienne annie de père la chroniqueuse et presque sœur musidora dite musi bientôt la première vamp du cinéma

[colette et les siennes dominique bona cultura](#) - Jun 22 2022

web colette et les siennes dominique bona colette et les siennes par dominique bona aux éditions grasset août 1914 il n y a plus d hommes à paris les femmes s organisent dans une jolie maison à l o magasins académie expériences communautés culturaddict cultura créas cultura livres cultura pro besoin d aide cultura l esprit

**colette et les siennes dominique bona 2253091529 cultura** - May 22 2022

web colette et les siennes dominique bona 2253091529 cultura colette et les siennes par dominique bona aux éditions le livre de poche août 1914 dans un joli chalet du 16e arrondissement colette la romancière la journaliste célèbre fait venir ses amies les plus proches il y a marguerite m mes rervations menu tout le catalogue

**colette et les siennes biographie google books** - Jul 24 2022

web mar 1 2017 colette et les siennes biographie dominique bona grasset mar 1 2017 fiction 432 pages août 1914 il n y a plus d hommes à paris les femmes s organisent dans une jolie maison à

*colette et les siennes dominique bona livre de poche* - Sep 06 2023

web feb 28 2018 août 1914 dans un joli chalet du 16e arrondissement colette la romancière la journaliste célèbre fait venir ses amies les plus proches il y a marguerite moreno la comédienne annie de pène la chroniqueuse et presque sœur musidora dite musi bientôt la première vamp du cinéma

**colette et les siennes radio france** - Aug 05 2023

web nov 23 2017 ce titre colette et les siennes est celui d un livre de dominique bona relatant le mois d août 1914 pour colette l écrivain entourée de ses amies marguerite moreno annie de pène et musidora l occasion d évoquer ces figures de femmes qui surent célébrer la vie malgré la guerre

critiques de colette et les siennes dominique bona 34 babelio - Sep 25 2022

web apr 25 2017 34 critiques sur ce livre ce livre raconte de façon détaillée la vie sentimentale de colette et de trois de ses amies en particulier sans être féministes ni échapper aux stéréotypes de son époque l écrivaine et ses amies o

**amazon fr colette et les siennes bona dominique livres** - Jan 30 2023

web dans un joli chalet du 16 e arrondissement colette la romancière la journaliste célèbre fait venir ses amies les plus proches il y a marguerite moreno la comédienne annie de pène la chroniqueuse et presque sœur musidora

colette et les siennes biographie littérature française bona - Jun 03 2023

web colette et les siennes biographie littérature française bona dominique amazon com tr kitap

colette et les siennes une biographie concentrée sur le petit passy - Oct 27 2022

web mar 9 2017 dossier en août 1914 la romancière créa une sorte de phalanstère féminin l académicienne dominique bona évoque dans une biographie cette aventure et le goût de colette pour les

**colette et les siennes biographie broché dominique bona fnac** - Aug 25 2022

web mar 1 2017 août 1914 il n y a plus d hommes à paris les femmes s organisent dans une jolie maison à l orée du bois de boulogne colette la romancière la journaliste célèbre fait venir ses amies les plus proches toutes appartiennent

**colette et les siennes biographie bona dominique amazon fr** - Nov 27 2022

web colette et les siennes biographie broché livre grand format 1 mars 2017 août 1914 il n y a plus d hommes à paris les femmes s organisent dans une jolie maison à l orée du bois de boulogne colette la romancière la journaliste célèbre fait

*colette et les siennes poche dominique bona fnac* - Apr 01 2023

web feb 28 2018 août 1914 dans un joli chalet du 16e arrondissement colette la romancière la journaliste célèbre fait venir ses amies les plus proches il y a marguerite moreno la comédienne annie de pène la chroniqueuse et presque sœur musidora dite musi bientôt la première vamp du cinéma

colette et les siennes documents amazon com tr - Feb 28 2023

web colette et les siennes documents bona dominique amazon com tr kitap Çerez tercihlerinizi seçin Çerez bildirimimizde ayrıntılı şekilde açıklandığı üzere alışveriş yapmanızı sağlamak alışveriş deneyiminizi iyileştirmek ve hizmetlerimizi sunmak için gerekli olan çerezleri ve benzer araçları kullanırız

**colette et les siennes livres critique** - Feb 16 2022

web les femmes s organisent dans une jolie maison à l orée du bois de boulogne colette la romancière la journaliste célèbre fait venir ses amies les plus proches toutes appartiennent au monde de la littérature et du spectacle il y a marguerite moreno la comédienne annie de pène la chroniqueuse et presque sœur

*colette et les siennes biographie dominique bona cultura* - Mar 20 2022

web colette et les siennes biographie dominique bona auteur descriptif détaillé epub 6 49 téléchargement direct grand format 22 00 poche 9 40 auteur dominique bona editeur grasset pagination 432 ean 9782246812869 ebook acheter en numérique 6 49 achat immédiat sans abonnement le saviez vous

colette et les siennes de dominique bona grand format decitre - Dec 29 2022

web mar 1 2017 le canon tonne au loin la faim s ajoute à la peur mais les mots et la douceur emportent tout c est une ronde joueuse câline où l on croise liane de pougy natalie barney des enfants lointains mais aussi willy l ex mari de colette jounel le magnifique et son fils bertrand

**amazon com colette et les siennes 9782253091523 bona** - Apr 20 2022

web feb 28 2018 amazon com colette et les siennes 9782253091523 bona dominique books skip to main content us delivering to lebanon 66952 update location books select the department you want to search in search amazon en hello sign in

**colette et les siennes Éditions grasset** - Jul 04 2023

web mar 1 2017 les femmes s organisent dans une jolie maison à l orée du bois de boulogne colette la romancière la journaliste célèbre fait venir ses amies les plus proches toutes appartiennent au monde de la littérature et du spectacle il y a marguerite moreno la comédienne annie de pène la chroniqueuse et presque sœur