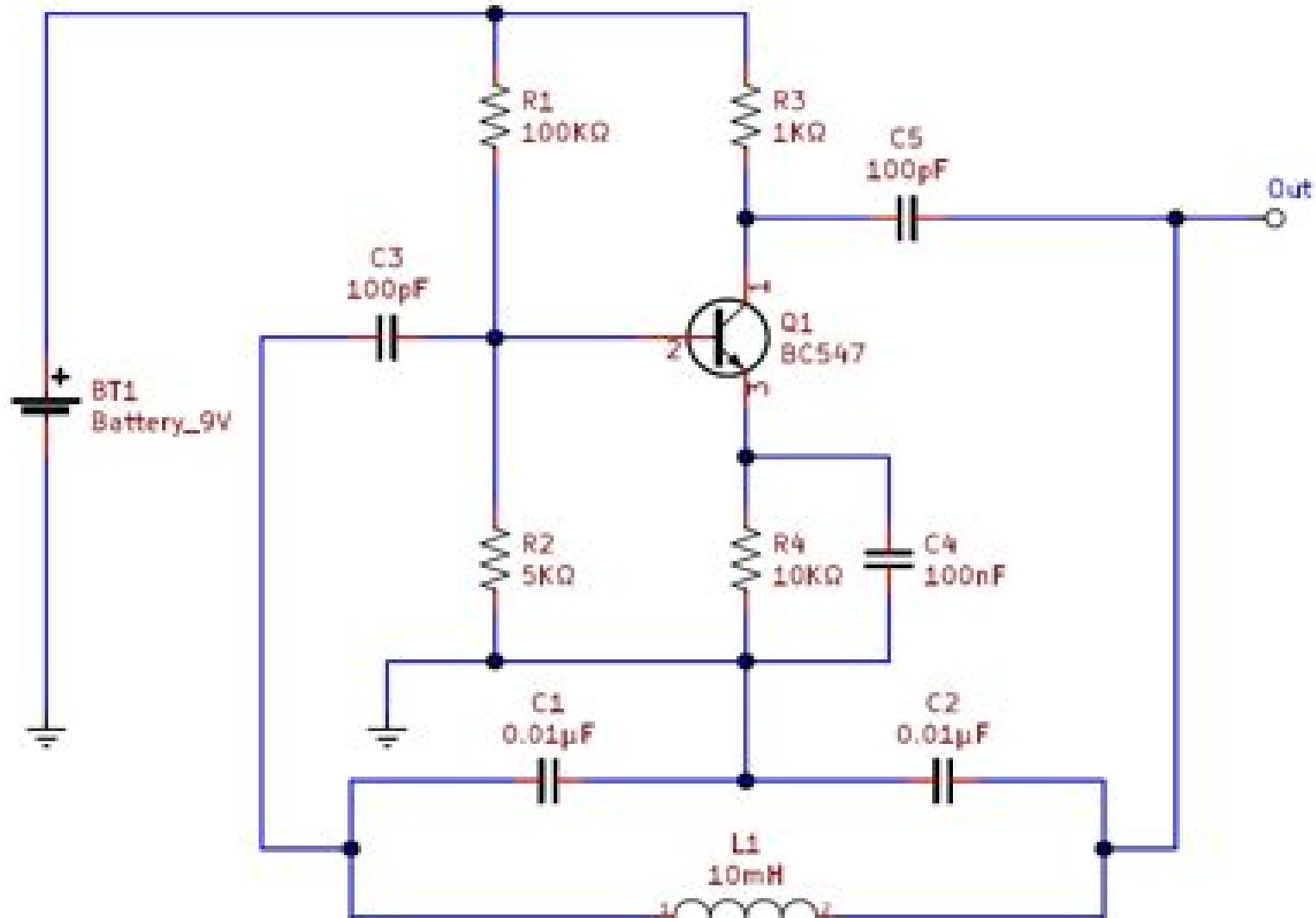


# Colpitts Oscillator Circuit



# Colpitts Oscillator Using Transistor Circuit Diagram And

**Yijin Wang**



## **Colpitts Oscillator Using Transistor Circuit Diagram And:**

**Electronic Devices and Circuits** Visveswara Rao B., Bhaskara Rama Murthy K., Raja Rajeswari K., Chalam Raju Pantulu P., 2006 *Electronic Devices and Circuits* is designed as a textbook for undergraduate students and the text provides a thorough treatment of the concepts of electronic devices and circuits All the fundamental concepts of the subject including integrated circuit theory are covered extensively along with necessary illustrations Special emphasis has been placed on circuit diagrams graphs equivalent circuits bipolar junction transistors and field effect transistors **Electronic Circuit Analysis** B. Visveswara Rao, 2012 *Electronic Circuit Analysis* is designed to serve as a textbook for a two semester undergraduate course on electronic circuit analysis It builds on the subject from its basic principles over fifteen chapters providing detailed coverage on the design and analysis of electronic circuits *Electron Devices and Circuits* Atul. P. Godse, Uday A. Bakshi, 2020-11-01 The book covers all the aspects of theory analysis and design of Electron Devices and Circuits for the undergraduate course The concepts of p n junction devices BJT JFET MOSFET electronic devices including UJT thyristors IGBT Amplifier circuits BJT JFET and MOSFET amplifiers multistage and differential amplifiers feedback amplifiers and oscillators are explained comprehensively The book explains various p n junction devices including diode LED laser diode Zener diode and Zener diode regulator The different types of rectifiers are explained in support The book covers the construction operation and characteristics of BJT JFET MOSFET UJT Thyristors SCR Diac and Triac and IGBT It explains the biasing of BJT JFET and MOSFET amplifiers basic BJT JFET and MOSFET amplifiers with h parameters and r parameters equivalent circuits multistage amplifiers differential amplifiers BiCMOS amplifier single tuned amplifiers neutralization methods power amplifiers and frequency response Finally the book incorporates a detailed discussion of the analysis of the current series voltage series current shunt and voltage shunt feedback amplifiers The book also includes the discussion of the Barkhausen criterion for oscillations and the detailed analysis of various oscillator circuits including RC phase shift Wien bridge Hartley Colpitt s Clapp and crystal oscillators The book uses straightforward and lucid language to explain each topic The book provides the logical method of describing the various complicated issues and stepwise methods to make understanding easy The variety of solved examples is the feature of this book The book explains the subject s philosophy which makes understanding the concepts evident and makes the subject more interesting **Basic Electronics - Second Edition** B Basavaraj, 2009-11-01 This is an established textbook on Basic Electronics for engineering students It has been revised according to the latest syllabus The second edition of the book includes illustrations and detailed explanations of fundamental concepts with examples The entire syllabus has been covered in 12 chapters *Advanced Microwave RF Antennas and Circuits* Ofer Aluf, 2025-09-26 This book describes a new concept in analyzing RF Microwave circuits which includes RF Microwave antennas The analysis is based on nonlinear dynamics and chaos models and shows comprehensive benefits and results All conceptual RF microwave circuits and antennas are innovative and can be broadly implemented in

engineering applications The presentation fills the gap of analytical methods for microwave RF antennas and circuit s analysis concrete examples and geometric examples The microwave RF antennas and circuits analysis is developed systematically starting with basic microwave RF circuits and antennas differential equations and their bifurcations followed by fixed points analysis limit cycles Basin of Attraction BOA and Stability Stability switching Additionally the book discusses RFID Antennas systems design and analysis RF amplifiers basic and advance topics design methods This book is aimed at electrical and electronic engineers RF and microwave engineers students and researchers in physics as well It is aimed for research institutes in the area of high power Laser and Target chamber interaction which need to design and use Moebius loop antennas for detecting the created EMP It is also aimed for research institutes in the areas RF Microwave Magnetic Resonance Imaging MRI Electron paramagnetic resonance EPR Nuclear magnetic resonance NMR or electron spin resonance ESR spectroscopy and Electromagnetism and gives good comprehensive in RF and Microwave systems This second edition includes new chapters about Moebius loop magnetic antennas and Magnetic Resonance Imaging MRI RF coils systems which both are analyzed and simulate for stability and stability switching This second edition includes a new appendix about Transmission lines and matching networks Antennas systems and Oscillation systems fundamental and main parameters Unique features of the book are its emphasis on practical and innovative microwave RF engineering applications These include microwave RF circuits and antennas in a variety topological structures RFID ICs and antennas microstrips circulators cylindrical RF network antennas Tunnel Diode TD bipolar transistors field effect transistors FETs IMPATT amplifiers Small Signal SS amplifiers Bias T circuits PIN diode circuits power amplifiers oscillators resonators filters N turn antennas dual spiral coils antennas Helix antennas linear dipole and slot array Moebius loop magnetic antennas Magnetic Resonance Imaging MRI RF coils systems and Hybrid trans linear circuit Many examples are presented in this book and it is also ideal for intermediate level courses at graduate level studies It is also ideal for engineer who has not had formal instruction in nonlinear dynamics but who now desires to fill the gap between innovative microwave RF circuits and antennas and advance mathematical analysis methods      **Communications Electronics Circuits** Joseph J. De France,1966

*Electronic Devices and Circuit Analysis* Abraham Pallas,1986      22 Radio and Receiver Projects for the Evil Genius Thomas Petruzzellis,2007-10-15 Projects include FM radios aircraft radios VHF ham radio receivers VHF public service radio old time radio tubes shortwave receivers and free energy receivers Covers early radio models such as crystal radio as well as more contemporary options Appeals to skill levels from novice to advanced      Information Systems Architecture and Technology: Proceedings of 39th International Conference on Information Systems Architecture and Technology - ISAT 2018 Jerzy Świątek,Leszek Borzemski,Zofia Wilimowska,2018-08-27 This three volume set of books highlights major advances in the development of concepts and techniques in the area of new technologies and architectures of contemporary information systems Further it helps readers solve specific research and analytical problems and glean useful knowledge and business

value from the data Each chapter provides an analysis of a specific technical problem followed by a numerical analysis simulation and implementation of the solution to the real life problem Managing an organisation especially in today s rapidly changing circumstances is a very complex process Increased competition in the marketplace especially as a result of the massive and successful entry of foreign businesses into domestic markets changes in consumer behaviour and broader access to new technologies and information calls for organisational restructuring and the introduction and modification of management methods using the latest advances in science This situation has prompted many decision making bodies to introduce computer modelling of organisation management systems The three books present the peer reviewed proceedings of the 39th International Conference Information Systems Architecture and Technology ISAT held on September 16 18 2018 in Nysa Poland The conference was organised by the Computer Science and Management Systems Departments Faculty of Computer Science and Management Wroclaw University of Technology and Sciences and University of Applied Sciences in Nysa Poland The papers have been grouped into three major parts Part I discusses topics including but not limited to Artificial Intelligence Methods Knowledge Discovery and Data Mining Big Data Knowledge Based Management Internet of Things Cloud Computing and High Performance Computing Distributed Computer Systems Content Delivery Networks and Service Oriented Computing Part II addresses topics including but not limited to System Modelling for Control Recognition and Decision Support Mathematical Modelling in Computer System Design Service Oriented Systems and Cloud Computing and Complex Process Modelling Part III focuses on topics including but not limited to Knowledge Based Management Modelling of Financial and Investment Decisions Modelling of Managerial Decisions Production Systems Management and Maintenance Risk Management Small Business Management and Theories and Models of Innovation

**Microwave Circuit Design Using Linear and Nonlinear Techniques** George D. Vendelin, Anthony M. Pavio, Ulrich L. Rohde, 2005-07-05 The ultimate handbook on microwave circuit design with CAD Full of tips and insights from seasoned industry veterans Microwave Circuit Design offers practical proven advice on improving the design quality of microwave passive and active circuits while cutting costs and time Covering all levels of microwave circuit design from the elementary to the very advanced the book systematically presents computer aided methods for linear and nonlinear designs used in the design and manufacture of microwave amplifiers oscillators and mixers Using the newest CAD tools the book shows how to design transistor and diode circuits and also details CAD s usefulness in microwave integrated circuit MIC and monolithic microwave integrated circuit MMIC technology Applications of nonlinear SPICE programs now available for microwave CAD are described State of the art coverage includes microwave transistors HEMTs MODFETs MESFETs HBTs and more high power amplifier design oscillator design including feedback topologies phase noise and examples and more The techniques presented are illustrated with several MMIC designs including a wideband amplifier a low noise amplifier and an MMIC mixer This unique one stop handbook also features a major case study of an actual anticollision radar transceiver which is

compared in detail against CAD predictions examples of actual circuit designs with photographs of completed circuits and tables of design formulae *Dictionary of Electronics* Stanley William Amos,1987 Very Good No Highlights or Markup all pages are intact *Electronic Techniques in Anaesthesia and Surgery* Dennis Walter Hill,1973 **NASA SP.** ,1970

**Proceedings of the Joint Symposium on Microwave Applications of Semiconductors, University College London, Wednesday, 30th June to Friday, 2nd July 1965** Institution of Electronic and Radio Engineers,1966

**Electronics Engineer's Reference Book** L. W. Turner,Leslie William Turner,1976 **Radio and Electronic Laboratory Handbook** Marcus Graham Scroggie,G. G. Johnstone,1980 *Single Sideband Systems and Circuits* William E. Sabin,Edgar O. Schoenike,1995 A comprehensive reference on single sideband SSB communications including SSB circuit and equipment design and SSB communication theory Originally published in 1987 this revised updated and expanded edition adds new chapters on the use of personal computers in SSB design and on automatic high frequency link establishment using computer supervised radio equipment There is new material on modular radio equipment pilot carrier methods in SSB and FET power amplifier design Includes a diskette with ready to use SSB filters and amplifier design software Annotation copyright by Book News Inc Portland OR *Proceedings - National Symposium on Reliability and Quality Control* National Symposium on Reliability and Quality Control,1959 **Electricity and Electronics** Howard H. Gerrish,William Dugger,1977 Fundamentals of the fields of electricity and electronics including the technology of the Information Age applied electricity alternating current circuits electronic devices and applications basic electronic circuits and electronic communication and data systems **Proceedings** ,1959

Discover tales of courage and bravery in is empowering ebook, Unleash Courage in **Colpitts Oscillator Using Transistor Circuit Diagram And** . In a downloadable PDF format ( Download in PDF: \*), this collection inspires and motivates. Download now to witness the indomitable spirit of those who dared to be brave.

[https://py.bijouxmedusa.com/results/browse/index.jsp/Estreno\\_2017\\_Mejor\\_Peliculas\\_De\\_Accion\\_Peliculas\\_Completas.pdf](https://py.bijouxmedusa.com/results/browse/index.jsp/Estreno_2017_Mejor_Peliculas_De_Accion_Peliculas_Completas.pdf)

## **Table of Contents Colpitts Oscillator Using Transistor Circuit Diagram And**

1. Understanding the eBook Colpitts Oscillator Using Transistor Circuit Diagram And
  - The Rise of Digital Reading Colpitts Oscillator Using Transistor Circuit Diagram And
  - Advantages of eBooks Over Traditional Books
2. Identifying Colpitts Oscillator Using Transistor Circuit Diagram And
  - Exploring Different Genres
  - Considering Fiction vs. Non-Fiction
  - Determining Your Reading Goals
3. Choosing the Right eBook Platform
  - Popular eBook Platforms
  - Features to Look for in an Colpitts Oscillator Using Transistor Circuit Diagram And
  - User-Friendly Interface
4. Exploring eBook Recommendations from Colpitts Oscillator Using Transistor Circuit Diagram And
  - Personalized Recommendations
  - Colpitts Oscillator Using Transistor Circuit Diagram And User Reviews and Ratings
  - Colpitts Oscillator Using Transistor Circuit Diagram And and Bestseller Lists
5. Accessing Colpitts Oscillator Using Transistor Circuit Diagram And Free and Paid eBooks
  - Colpitts Oscillator Using Transistor Circuit Diagram And Public Domain eBooks
  - Colpitts Oscillator Using Transistor Circuit Diagram And eBook Subscription Services
  - Colpitts Oscillator Using Transistor Circuit Diagram And Budget-Friendly Options
6. Navigating Colpitts Oscillator Using Transistor Circuit Diagram And eBook Formats

- ePub, PDF, MOBI, and More
  - Colpitts Oscillator Using Transistor Circuit Diagram And Compatibility with Devices
  - Colpitts Oscillator Using Transistor Circuit Diagram And Enhanced eBook Features
7. Enhancing Your Reading Experience
    - Adjustable Fonts and Text Sizes of Colpitts Oscillator Using Transistor Circuit Diagram And
    - Highlighting and Note-Taking Colpitts Oscillator Using Transistor Circuit Diagram And
    - Interactive Elements Colpitts Oscillator Using Transistor Circuit Diagram And
  8. Staying Engaged with Colpitts Oscillator Using Transistor Circuit Diagram And
    - Joining Online Reading Communities
    - Participating in Virtual Book Clubs
    - Following Authors and Publishers Colpitts Oscillator Using Transistor Circuit Diagram And
  9. Balancing eBooks and Physical Books Colpitts Oscillator Using Transistor Circuit Diagram And
    - Benefits of a Digital Library
    - Creating a Diverse Reading Collection Colpitts Oscillator Using Transistor Circuit Diagram And
  10. Overcoming Reading Challenges
    - Dealing with Digital Eye Strain
    - Minimizing Distractions
    - Managing Screen Time
  11. Cultivating a Reading Routine Colpitts Oscillator Using Transistor Circuit Diagram And
    - Setting Reading Goals Colpitts Oscillator Using Transistor Circuit Diagram And
    - Carving Out Dedicated Reading Time
  12. Sourcing Reliable Information of Colpitts Oscillator Using Transistor Circuit Diagram And
    - Fact-Checking eBook Content of Colpitts Oscillator Using Transistor Circuit Diagram And
    - Distinguishing Credible Sources
  13. Promoting Lifelong Learning
    - Utilizing eBooks for Skill Development
    - Exploring Educational eBooks
  14. Embracing eBook Trends
    - Integration of Multimedia Elements
    - Interactive and Gamified eBooks

### **Colpitts Oscillator Using Transistor Circuit Diagram And Introduction**

In today's digital age, the availability of Colpitts Oscillator Using Transistor Circuit Diagram And books and manuals for download has revolutionized the way we access information. Gone are the days of physically flipping through pages and carrying heavy textbooks or manuals. With just a few clicks, we can now access a wealth of knowledge from the comfort of our own homes or on the go. This article will explore the advantages of Colpitts Oscillator Using Transistor Circuit Diagram And books and manuals for download, along with some popular platforms that offer these resources. One of the significant advantages of Colpitts Oscillator Using Transistor Circuit Diagram And books and manuals for download is the cost-saving aspect. Traditional books and manuals can be costly, especially if you need to purchase several of them for educational or professional purposes. By accessing Colpitts Oscillator Using Transistor Circuit Diagram And versions, you eliminate the need to spend money on physical copies. This not only saves you money but also reduces the environmental impact associated with book production and transportation. Furthermore, Colpitts Oscillator Using Transistor Circuit Diagram And books and manuals for download are incredibly convenient. With just a computer or smartphone and an internet connection, you can access a vast library of resources on any subject imaginable. Whether you're a student looking for textbooks, a professional seeking industry-specific manuals, or someone interested in self-improvement, these digital resources provide an efficient and accessible means of acquiring knowledge. Moreover, PDF books and manuals offer a range of benefits compared to other digital formats. PDF files are designed to retain their formatting regardless of the device used to open them. This ensures that the content appears exactly as intended by the author, with no loss of formatting or missing graphics. Additionally, PDF files can be easily annotated, bookmarked, and searched for specific terms, making them highly practical for studying or referencing. When it comes to accessing Colpitts Oscillator Using Transistor Circuit Diagram And books and manuals, several platforms offer an extensive collection of resources. One such platform is Project Gutenberg, a nonprofit organization that provides over 60,000 free eBooks. These books are primarily in the public domain, meaning they can be freely distributed and downloaded. Project Gutenberg offers a wide range of classic literature, making it an excellent resource for literature enthusiasts. Another popular platform for Colpitts Oscillator Using Transistor Circuit Diagram And books and manuals is Open Library. Open Library is an initiative of the Internet Archive, a non-profit organization dedicated to digitizing cultural artifacts and making them accessible to the public. Open Library hosts millions of books, including both public domain works and contemporary titles. It also allows users to borrow digital copies of certain books for a limited period, similar to a library lending system. Additionally, many universities and educational institutions have their own digital libraries that provide free access to PDF books and manuals. These libraries often offer academic texts, research papers, and technical manuals, making them invaluable resources for students and researchers. Some notable examples include MIT OpenCourseWare, which offers free access to course materials from the Massachusetts Institute of Technology, and the

Digital Public Library of America, which provides a vast collection of digitized books and historical documents. In conclusion, Colpitts Oscillator Using Transistor Circuit Diagram And books and manuals for download have transformed the way we access information. They provide a cost-effective and convenient means of acquiring knowledge, offering the ability to access a vast library of resources at our fingertips. With platforms like Project Gutenberg, Open Library, and various digital libraries offered by educational institutions, we have access to an ever-expanding collection of books and manuals. Whether for educational, professional, or personal purposes, these digital resources serve as valuable tools for continuous learning and self-improvement. So why not take advantage of the vast world of Colpitts Oscillator Using Transistor Circuit Diagram And books and manuals for download and embark on your journey of knowledge?

### **FAQs About Colpitts Oscillator Using Transistor Circuit Diagram And Books**

How do I know which eBook platform is the best for me? Finding the best eBook platform depends on your reading preferences and device compatibility. Research different platforms, read user reviews, and explore their features before making a choice. Are free eBooks of good quality? Yes, many reputable platforms offer high-quality free eBooks, including classics and public domain works. However, make sure to verify the source to ensure the eBook credibility. Can I read eBooks without an eReader? Absolutely! Most eBook platforms offer web-based readers or mobile apps that allow you to read eBooks on your computer, tablet, or smartphone. How do I avoid digital eye strain while reading eBooks? To prevent digital eye strain, take regular breaks, adjust the font size and background color, and ensure proper lighting while reading eBooks. What the advantage of interactive eBooks? Interactive eBooks incorporate multimedia elements, quizzes, and activities, enhancing the reader engagement and providing a more immersive learning experience. Colpitts Oscillator Using Transistor Circuit Diagram And is one of the best book in our library for free trial. We provide copy of Colpitts Oscillator Using Transistor Circuit Diagram And in digital format, so the resources that you find are reliable. There are also many Ebooks of related with Colpitts Oscillator Using Transistor Circuit Diagram And. Where to download Colpitts Oscillator Using Transistor Circuit Diagram And online for free? Are you looking for Colpitts Oscillator Using Transistor Circuit Diagram And PDF? This is definitely going to save you time and cash in something you should think about.

### **Find Colpitts Oscillator Using Transistor Circuit Diagram And :**

[estreno 2017 mejor peliculas de accion peliculas completas](#)  
[episode kirtu com](#)



12 10 1 5 in the arban complete method for tuba 334 pages in length is the premier publication for tubists it is used at virtually every university and conservatory and it is at the

[arban scales for tuba by jean baptiste arban goodreads](#) - Jan 25 2023

arban scales for tuba by arban jean baptiste at abebooks co uk isbn 10 1517021596 isbn 13 9781517021597 createspace independent publishing platform 2015 softcover

**arban scales for tuba amazon com** - Jun 29 2023

jun 13 2015 the arban complete method for tuba 334 pages in length is the premier publication for tubists it is used at virtually every university and conservatory in the world and

**arban scales for tuba kağıt kapak 24 ağustos 2015** - Jul 31 2023

aug 24 2015 arban scales for tuba paperback august 24 2015 by jean baptiste arban author 1 rating see all formats and editions paperback 17 00 6 new from 17 00 first for

[tuba major scales and arpeggios sheet music for tuba solo](#) - Dec 12 2021

everyday band orchestra sale orchestra string orchestra

[arban j b complete method for tuba pdf 9n0oor39yknv](#) - Nov 22 2022

the arban method has been a staple for cornetists trumpeters and trombonists for generations dr wade goodwin has now compiled arranged and edited selected studies and scales for

**arban scales for tubas sheet music plus** - Jul 19 2022

select the department you want to search in

[arban scales for tuba arban jean baptiste 9781517021597](#) - Dec 24 2022

arban j b complete method for tuba pdf uploaded by flix trombon april 2020 pdf bookmark download this document was uploaded by user and they confirmed that they

**arban complete method for tuba encore music** - Sep 01 2023

arban scales for tuba arban jean baptiste amazon com tr kitap Çerez tercihlerinizi seçin Çerez bildirimimizde ayrıntılı şekilde açıklandığı üzere alışveriş yapmanızı sağlamak alışveriş

[arban jean baptiste jacobs scales for tuba studies etudes](#) - Mar 27 2023

everyday band orchestra sale orchestra

[arbans tuba pdf el9r2pg91oly doku](#) - Feb 11 2022

the arban method titled with some variation over the years as arban s world renowned method for the cornet and arban s complete celebrated method for the cornet french grande

[arban s complete conservatory method for tuba j w pepper](#) - Apr 27 2023





**nios class 12 geography oriya question paper 2023 with** - Oct 31 2021

**oriya puran pdf support ortax org** - Feb 03 2022

web nov 23 2023 senior content writer updated on nov 23 2023 nios class 12 geography oriya question paper 2023 with answer key pdf set a is available for

**oriya puran orientation sutd edu sg** - Jun 07 2022

web jun 1 2020 orian private limited registration no unique entity number 2020151110r issued by accounting and corporate regulatory authority orian

**lakshmi purana in odia pdf oriya nari yumpu** - Jun 19 2023

web the lakshmi purana is an odia text written in the 15th century by balarama dasa a major poet of odia literature 1 despite its name it is not one of the eighteen major puranas of

*sankshipt shiv puran oriya gita press book shop* - Feb 15 2023

web dec 4 2013 odia song video song odia video for more videos youtube com subscription center add user lokdhunoriyasri mad bhagwat

*bhagavata purana wikipedia* - Mar 16 2023

web nov 17 2023 israeli police are using forensic evidence video and witness testimony and interrogations of suspects to document cases of rape amid the october 7 hamas attacks

**achyutananda dasa wikipedia** - Aug 21 2023

mahapurusa achyutananda dasa odia ଶ୍ରୀ ଶ୍ରୀ ଶ୍ରୀ ଶ୍ରୀ ଶ୍ରୀ was a 16th century poet seer and vaishnava saint from odisha india he was popularly known as gopala guru he was considered to have the power to see the past present and future he was a prolific author and one of the group of five that led a revolution in spirituality in odisha by translating sanskrit texts into the odi

**surya puran tv series 2011 imdb** - May 06 2022

web oriya puran pdf introduction oriya puran pdf pdf sriradha ramakanta rath 2015 09 02 encountering kali rachel fell mcdermott 2005 encountering kali explores one of

ଠି ଠି ଠି ଠି ଠି ଠି ଠି ଠି ଠି ଠି ଠି ଠି ଠି ଠି ଠି ଠି ଠି - Aug 09 2022

web surya puran with paritosh kumar hindi language mythological show based on the saura purana which eulogizes the surya the hindu sun god and his incarnations

**2 sample qmap syllabus curriculum 07302021 docx google docs** - Aug 02 2023

web 2 sample qmap syllabus curriculum 07302021 docx google docs student curriculum study guide note this is a sample designed to help guide you in developing your own qmap

**sample exam for qmap** - Apr 17 2022

web qmap study guide and answers matkat de qmap caregiver resume example brookdale senior living medication administration training youtube qt5 tutorial qmap 2018 bogotobogo qmap test and answers magobg de has anyone here used netbrain qmap to help prepare for aplmed academy qmap training qmap practice exam

qmap study guide answers pdf pdf rce lms - Feb 13 2022

web apr 1 2023 this is likewise one of the factors by obtaining the soft documents of this qmap study guide answers pdf pdf by online you might not require more times to spend to go to the ebook inauguration as well as search for them in some cases you likewise pull off not discover the message qmap study guide answers pdf pdf that you are

**questions and answers about working at qmap indeed com** - Jun 19 2022

web apr 14 2021 find 11 questions and answers about working at qmap learn about the interview process employee benefits company culture and more on indeed

**qmap study guide answers secure4 khronos** - Feb 25 2023

web jun 7 2023 qmap study guide answers by doreen pfeifer can be downloaded and install absolutely free right here you likewise can review on the internet qmap study guide answers pdf free qmap study guide answers download book qmap study guide answers pdf volcanoes and volcanology geology thu 26 apr 2018 05 25 00 gmt start

**what is a qmap definition and steps to become one** - Apr 29 2023

web jun 24 2022 indeed editorial team updated june 24 2022 a qmap helps doctors and nurses in the state of colorado administer medication to patients while verifying and documenting the process they follow steps and procedures for administering medication through the correct route and communicate these steps to the patient

qmap study guide answers secure4 khronos - Sep 22 2022

web jun 24 2023 qmap study guide and answers ebooks qmap study guide and answers is available on pdf epub and doc format you can directly download and save in in to your device such as a comprehensive study guide to prepare students for becoming a qualified medication

answer the following qmap test flashcards proprofs flashcards - Jul 01 2023

web mar 31 2021 study answer the following qmap test flashcards flashcards at proprofs study for the qmap test in a brief manner with these flashcards and revise the concepts related to it learn the important terms definitions and much more briefly with these flashcards quizzes be prepared for the qmap test and master this topic with

**sample exam for qmap cdn writermag com** - Jan 27 2023

web exam for qmapstudy answer the following qmap test flashcards flashcards at proprofs study for the qmap test in a brief manner with these flashcards and revise the concepts related to it learn the important terms definitions and much more

briefly with these flashcards quizzes

*qmap practice exam ministry of education youth and sports* - May 19 2022

web includes more than 1 000 sample test questions to help you determine whether you re ready to take the actual exam our popular cram sheet tear card helps you remember key concepts and facts use our innovative quick check answer key systemtm to quickly find answers as you work your way through the questions score higher on the nclex pn

**qmap questions answers glassdoor** - Jul 21 2022

web have questions about working at qmap read answers to frequently asked questions to help you make a choice before applying to a job or accepting a job offer whether it s about compensation and benefits culture and diversity or you re curious to know more about the work environment find out from employees what it s like to work at qmap

**qmap interview questions glassdoor** - Oct 24 2022

web dec 23 2013 23 qmap interview questions learn about interview questions and interview process for 6 companies

what does qmap mean definitions net - Mar 17 2022

web definition of qmap in the definitions net dictionary meaning of qmap what does qmap mean information and translations of qmap in the most comprehensive dictionary definitions resource on the web login the stands4 network abbreviations anagrams biographies calculators conversions definitions

*medication administration course* - May 31 2023

web classroom instruction to review course manual and agency specific material with qualified instructor 5 hours practicum and written testing with qualified instructor 2 3 hours copies of written tests must be collected by instructor and

*qmap practice exam* - Nov 24 2022

web apr 28 2018 qmap study guide thecuttersband com may 16th 2018 get one test free with this qmap practice exam free ebooks download qmap study guide answers free download qmap practice exam files at software informer 128 sample exam for qmap pdf download isfg2013 org april 24th 2018 free qmap practice exam free downloads

qmap study guide flashcards quizlet - Oct 04 2023

web must document on the mar medication error wrong person drug dose route time missing a medication dose expired absence of valid signed orders borrowing meds between clients study with quizlet and memorize flashcards containing terms like

**qmap practice exam** - Mar 29 2023

web may 2nd 2018 qmap study guide answers free download qmap practice exam files at software informer 128 questions and answers professional practice questions anad answers are practice test may 12th 2018 test takers have 90 minutes to complete their chosen practice test practice exams provide candidates an

*qmap starter kit google drive - Sep 03 2023*

web jul 27 2021 sample homework and answer key jul 27 2021 8 sample worksheet and answer key owner hidden jul 27 2021 1 read this first approved training entity application process owner hidden jun 7

**qmap study guide pdf pdf help smartcare moh gov zm - Dec 26 2022**

web sep 20 2023 2 qmap starter kit google drive web 27 jul 2021 3 3 mb 2a sample medication administration study sheet 07272021 pdf owner hidden jul 27 2021 184 kb 3 mandatory

medication administration qmap department of public health - Aug 22 2022

web a qmap can administer medications according to written physician s orders maintain proper documentation of the administration of both prescription and non prescription drugs use proper techniques when administering medications by various routes