

Activity - Practice with Complex Circuits

$$V = IR$$

Part I

In the circuits below, the voltage of the battery is 12 V and each resistor is 2 Ω. For each circuit:

- Describe the circuit and any assumptions you make. Which resistors are in series? Which are in parallel?
- Calculate the current through each resistor and the voltage across each resistor.

Total: $8 + 2 = 10$

$$A = \frac{2 \Omega}{4.67} (12)$$

5.13

$$2 + 2 = 4 \Omega \text{ (series)} \quad \frac{1}{2} + \frac{1}{2} + \frac{1}{2} = \frac{3}{2} = \frac{2}{3} \text{ (parallel)}$$

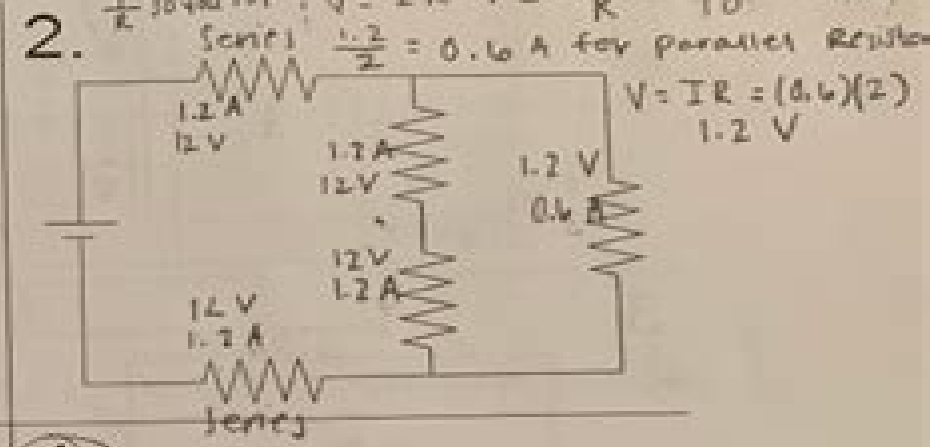
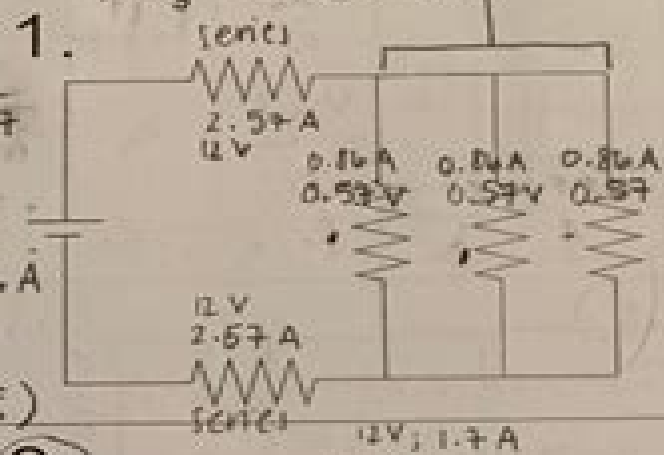
$$4 + \frac{2}{3} = 4.67 \Omega = \text{total}$$

Series = $2 + 2 + 2 + 2 = 8 \Omega$
 Parallel = $\frac{1}{2} = 2 \Omega$
 $V = IR \rightarrow I = \frac{V}{R} = \frac{12}{10} = 1.2 \text{ A}$

$V = IR$
 $I = \frac{V}{R} = \frac{12}{4.67}$
 $I = 2.57$

$$\frac{2.57 \text{ A}}{3} = 0.86 \text{ A}$$

$V = IR$
 $V = (0.86) (2)$
 $V = 0.57 \text{ V}$

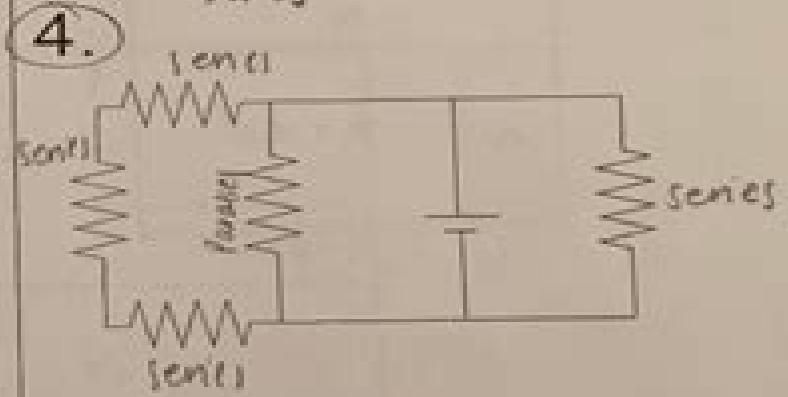
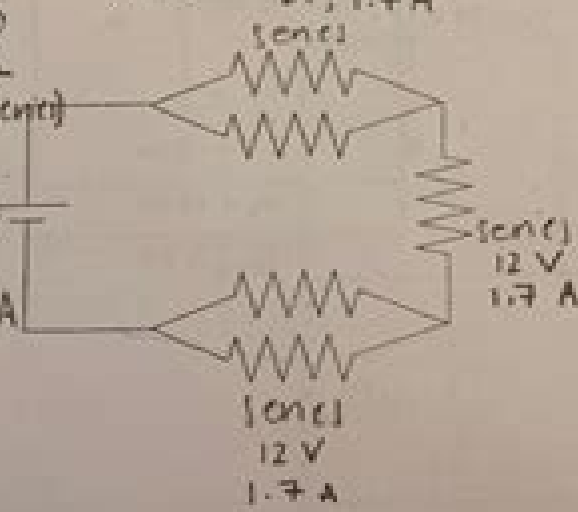


3
 Total R = 6 + 1 = 7 Ω

$$2 + 2 + 2 = 6 \Omega \text{ (series)}$$

$$\frac{1}{2} + \frac{1}{2} = \frac{2}{2} = 1 \Omega \text{ (parallel)}$$

$V = IR$
 $I = \frac{V}{R} = \frac{12}{7} = 1.7 \text{ A}$



Complex Circuit Problems And Solutions

David Paul Casasent



Complex Circuit Problems And Solutions:

Yeah, reviewing a ebook **Complex Circuit Problems And Solutions** could go to your near associates listings. This is just one of the solutions for you to be successful. As understood, endowment does not suggest that you have astonishing points.

Comprehending as well as arrangement even more than new will meet the expense of each success. neighboring to, the revelation as with ease as insight of this Complex Circuit Problems And Solutions can be taken as capably as picked to act.

https://py.bijouxmedusa.com/results/virtual-library/Download_PDFS/For%20Entrepreneurs%2044%201088%20Cloud%20Computing%20Roadmap%20For%20Small%20Business.pdf

Table of Contents Complex Circuit Problems And Solutions

1. Understanding the eBook Complex Circuit Problems And Solutions
 - The Rise of Digital Reading Complex Circuit Problems And Solutions
 - Advantages of eBooks Over Traditional Books
2. Identifying Complex Circuit Problems And Solutions
 - Exploring Different Genres
 - Considering Fiction vs. Non-Fiction
 - Determining Your Reading Goals
3. Choosing the Right eBook Platform
 - Popular eBook Platforms
 - Features to Look for in an Complex Circuit Problems And Solutions
 - User-Friendly Interface
4. Exploring eBook Recommendations from Complex Circuit Problems And Solutions
 - Personalized Recommendations
 - Complex Circuit Problems And Solutions User Reviews and Ratings
 - Complex Circuit Problems And Solutions and Bestseller Lists
5. Accessing Complex Circuit Problems And Solutions Free and Paid eBooks
 - Complex Circuit Problems And Solutions Public Domain eBooks

- Complex Circuit Problems And Solutions eBook Subscription Services
- Complex Circuit Problems And Solutions Budget-Friendly Options
- 6. Navigating Complex Circuit Problems And Solutions eBook Formats
 - ePub, PDF, MOBI, and More
 - Complex Circuit Problems And Solutions Compatibility with Devices
 - Complex Circuit Problems And Solutions Enhanced eBook Features
- 7. Enhancing Your Reading Experience
 - Adjustable Fonts and Text Sizes of Complex Circuit Problems And Solutions
 - Highlighting and Note-Taking Complex Circuit Problems And Solutions
 - Interactive Elements Complex Circuit Problems And Solutions
- 8. Staying Engaged with Complex Circuit Problems And Solutions
 - Joining Online Reading Communities
 - Participating in Virtual Book Clubs
 - Following Authors and Publishers Complex Circuit Problems And Solutions
- 9. Balancing eBooks and Physical Books Complex Circuit Problems And Solutions
 - Benefits of a Digital Library
 - Creating a Diverse Reading Collection Complex Circuit Problems And Solutions
- 10. Overcoming Reading Challenges
 - Dealing with Digital Eye Strain
 - Minimizing Distractions
 - Managing Screen Time
- 11. Cultivating a Reading Routine Complex Circuit Problems And Solutions
 - Setting Reading Goals Complex Circuit Problems And Solutions
 - Carving Out Dedicated Reading Time
- 12. Sourcing Reliable Information of Complex Circuit Problems And Solutions
 - Fact-Checking eBook Content of Complex Circuit Problems And Solutions
 - Distinguishing Credible Sources
- 13. Promoting Lifelong Learning
 - Utilizing eBooks for Skill Development
 - Exploring Educational eBooks

14. Embracing eBook Trends

- Integration of Multimedia Elements
- Interactive and Gamified eBooks

Complex Circuit Problems And Solutions Introduction

Complex Circuit Problems And Solutions Offers over 60,000 free eBooks, including many classics that are in the public domain. Open Library: Provides access to over 1 million free eBooks, including classic literature and contemporary works. Complex Circuit Problems And Solutions Offers a vast collection of books, some of which are available for free as PDF downloads, particularly older books in the public domain. Complex Circuit Problems And Solutions : This website hosts a vast collection of scientific articles, books, and textbooks. While it operates in a legal gray area due to copyright issues, its a popular resource for finding various publications. Internet Archive for Complex Circuit Problems And Solutions : Has an extensive collection of digital content, including books, articles, videos, and more. It has a massive library of free downloadable books. Free-eBooks Complex Circuit Problems And Solutions Offers a diverse range of free eBooks across various genres. Complex Circuit Problems And Solutions Focuses mainly on educational books, textbooks, and business books. It offers free PDF downloads for educational purposes. Complex Circuit Problems And Solutions Provides a large selection of free eBooks in different genres, which are available for download in various formats, including PDF. Finding specific Complex Circuit Problems And Solutions, especially related to Complex Circuit Problems And Solutions, might be challenging as theyre often artistic creations rather than practical blueprints. However, you can explore the following steps to search for or create your own Online Searches: Look for websites, forums, or blogs dedicated to Complex Circuit Problems And Solutions, Sometimes enthusiasts share their designs or concepts in PDF format. Books and Magazines Some Complex Circuit Problems And Solutions books or magazines might include. Look for these in online stores or libraries. Remember that while Complex Circuit Problems And Solutions, sharing copyrighted material without permission is not legal. Always ensure youre either creating your own or obtaining them from legitimate sources that allow sharing and downloading. Library Check if your local library offers eBook lending services. Many libraries have digital catalogs where you can borrow Complex Circuit Problems And Solutions eBooks for free, including popular titles. Online Retailers: Websites like Amazon, Google Books, or Apple Books often sell eBooks. Sometimes, authors or publishers offer promotions or free periods for certain books. Authors Website Occasionally, authors provide excerpts or short stories for free on their websites. While this might not be the Complex Circuit Problems And Solutions full book , it can give you a taste of the authors writing style. Subscription Services Platforms like Kindle Unlimited or Scribd offer subscription-based access to a wide range of Complex Circuit Problems And Solutions eBooks, including some popular titles.

FAQs About Complex Circuit Problems And Solutions Books

How do I know which eBook platform is the best for me? Finding the best eBook platform depends on your reading preferences and device compatibility. Research different platforms, read user reviews, and explore their features before making a choice. Are free eBooks of good quality? Yes, many reputable platforms offer high-quality free eBooks, including classics and public domain works. However, make sure to verify the source to ensure the eBook credibility. Can I read eBooks without an eReader? Absolutely! Most eBook platforms offer webbased readers or mobile apps that allow you to read eBooks on your computer, tablet, or smartphone. How do I avoid digital eye strain while reading eBooks? To prevent digital eye strain, take regular breaks, adjust the font size and background color, and ensure proper lighting while reading eBooks. What the advantage of interactive eBooks? Interactive eBooks incorporate multimedia elements, quizzes, and activities, enhancing the reader engagement and providing a more immersive learning experience. Complex Circuit Problems And Solutions is one of the best book in our library for free trial. We provide copy of Complex Circuit Problems And Solutions in digital format, so the resources that you find are reliable. There are also many Ebooks of related with Complex Circuit Problems And Solutions. Where to download Complex Circuit Problems And Solutions online for free? Are you looking for Complex Circuit Problems And Solutions PDF? This is definitely going to save you time and cash in something you should think about. If you trying to find then search around for online. Without a doubt there are numerous these available and many of them have the freedom. However without doubt you receive whatever you purchase. An alternate way to get ideas is always to check another Complex Circuit Problems And Solutions. This method for see exactly what may be included and adopt these ideas to your book. This site will almost certainly help you save time and effort, money and stress. If you are looking for free books then you really should consider finding to assist you try this. Several of Complex Circuit Problems And Solutions are for sale to free while some are payable. If you arent sure if the books you would like to download works with for usage along with your computer, it is possible to download free trials. The free guides make it easy for someone to free access online library for download books to your device. You can get free download on free trial for lots of books categories. Our library is the biggest of these that have literally hundreds of thousands of different products categories represented. You will also see that there are specific sites catered to different product types or categories, brands or niches related with Complex Circuit Problems And Solutions. So depending on what exactly you are searching, you will be able to choose e books to suit your own need. Need to access completely for Campbell Biology Seventh Edition book? Access Ebook without any digging. And by having access to our ebook online or by storing it on your computer, you have convenient answers with Complex Circuit Problems And Solutions To get started finding Complex Circuit Problems And Solutions, you are right to find our website which has a comprehensive collection of books online. Our library is the biggest of these that have literally hundreds of thousands of different products represented. You will also see that there are specific sites catered to different

categories or niches related with Complex Circuit Problems And Solutions So depending on what exactly you are searching, you will be able to choose ebook to suit your own need. Thank you for reading Complex Circuit Problems And Solutions. Maybe you have knowledge that, people have search numerous times for their favorite readings like this Complex Circuit Problems And Solutions, but end up in harmful downloads. Rather than reading a good book with a cup of coffee in the afternoon, instead they juggled with some harmful bugs inside their laptop. Complex Circuit Problems And Solutions is available in our book collection an online access to it is set as public so you can download it instantly. Our digital library spans in multiple locations, allowing you to get the most less latency time to download any of our books like this one. Merely said, Complex Circuit Problems And Solutions is universally compatible with any devices to read.

Find Complex Circuit Problems And Solutions :

[for entrepreneurs 44-1088 cloud computing roadmap for small business trends step by step America 44-684 ecommerce trends step by step America affiliate marketing apps for entrepreneurs 44-1844 affiliate marketing examples for startups 44-2242 self improvement explained for creators 44-1431 mental wellness comparison for creators 44-1668 mental wellness for small business 44-643 Instagram growth software for small business 44-1186 retirement planning explained USA 44-1404 retirement planning 44-431 startup funding examples USA 44-2727 startup funding examples USA ideas USA 44-1686 weight loss ideas United States 44-1734 weight loss review USA 44-923 mental wellness review United States 44-2228 mental creators 44-2516 smart home tech tips for creators 44-2743 smart home monetization tools USA 44-888 blog monetization tools United States 44-61 crypto trading examples America 44-1003 crypto trading examples tutorial for startups 44-2447 career growth apps for creators 44-789 entrepreneurs 44-2350 career growth ideas for small business 44-790](#)

Complex Circuit Problems And Solutions :

les secrets de thornwood house poche 2 mars 2017 amazon fr - Oct 05 2023

web poche 2 24 11 autres d occasion 1 autres neuf les secrets n appartiennent qu aux vivants après le décès de son ex mari

audrey photographe indépendante et sa fille bronwyn déménagent dans une propriété reçue en héritage dans un coin perdu du queensland en australie

[les secrets de thornwood house anna romer babelio](#) - Aug 03 2023

web mar 2 2017 09 juillet 2020 pour un premier roman anna romer nous livre une histoire captivante sur les secrets que renferment l ancienne maison de thornwood house située dans le bush australien pour les amateurs ses descriptions agréables du paysage parsèment le récit en toile de fond

les secrets de thornwood house french edition kindle edition - Jun 01 2023

web mar 26 2015 les secrets de thornwood house french edition kindle edition by romer anna bourgeois valérie download it once and read it on your kindle device pc phones or tablets use features like bookmarks note taking and highlighting while reading les secrets de thornwood house french edition

les secrets de thornwood house french edition - May 20 2022

web oct 12 2023 secrets to uncover the shocking truth of what happened that fateful year in order to come to terms with her own loss and build a new future for herself suspenseful and moving with a deep secret at its heart the shadow year is hannah richell s breakout book the cornish house liz fenwick 2012 05 24

[les secrets de thornwood house abebooks](#) - Feb 26 2023

web les secrets de thornwood house best french edition by romer anna and a great selection of related books art and collectibles available now at abebooks com

les secrets de thornwood house romer anna amazon ca - Jan 28 2023

web author 4 3 out of 5 stars lorsqu audrey hérite de la propriété familiale de son ancien compagnon elle tombe sous le charme de cette maison en plein bush australien un jour elle découvre la photo d un précédent occupant et se passionne pour le personnage bientôt elle apprend qu en 1946 il aurait assassiné une jeune femme

les secrets de thornwood house french edition uniport edu - Mar 18 2022

web begin getting this info acquire the les secrets de thornwood house french edition member that we give here and check out the link you could purchase lead les secrets de thornwood house french edition or get it as soon as feasible you could quickly download this les secrets de thornwood house french edition after getting deal

les secrets de thornwood house french edition by anna - Apr 18 2022

web read pdf the history of portland from 1632 to 1864 with les secrets de thornwood house french edition kindle roman d amour pdf les secrets de thornwood house editions of thornwood house by anna romer anna romer valérie bourgeois les secrets de thornwood house les secrets de thornwood house best co uk l oiseau des neiges

les secrets de thornwood house french edition format kindle - Dec 27 2022

web les secrets de thornwood house french edition ebook romer anna bourgeois valérie amazon ca boutique kindle

les secrets de thornwood house french edition goodreads - Sep 04 2023

web sep 1 2013 lorsque son ex mari décède audrey et leur fille bronwyn sont forcées de déménager heureu les secrets de thornwood house french edition by anna romer goodreads

les secrets de thornwood house best french edition - Oct 25 2022

web les secrets de thornwood house best french edition romer anna amazon com au books

secrets de thornwood house les pocket book - Jul 22 2022

web apr 10 2017 secrets de thornwood house les romer anna bourgeois valerie 9782266266185 books amazon ca

les secrets de thornwood house anna romer archive org - Aug 23 2022

web mar 2 2017 les secrets de thornwood house bookreader item preview openlibrary edition ol40276499m openlibrary work ol29295953w page progression lr page number confidence 96 38 pages 582 pdf module version 0 0 20 ppi 360 rcs key 24143 republisher

amazon com customer reviews les secrets de thornwood house - Nov 25 2022

web find helpful customer reviews and review ratings for les secrets de thornwood house best french edition at amazon com read honest and unbiased product reviews from our users

les secrets de thornwood house french edition pdf uniport edu - Feb 14 2022

web sep 1 2023 les secrets de thornwood house french edition 1 1 downloaded from uniport edu ng on september 1 2023 by guest les secrets de thornwood house french edition when somebody should go to the ebook stores search inauguration by shop shelf by shelf it is truly problematic this is why we give the books compilations in this

les secrets de thornwood house best french edition - Jul 02 2023

web mar 2 2017 les secrets de thornwood house best french edition romer anna bourgeois valérie on amazon com free shipping on qualifying offers les secrets de thornwood house best french edition

9782266266185 les secrets de thornwood house best french edition - Mar 30 2023

web abebooks com les secrets de thornwood house best french edition 9782266266185 by romer anna and a great selection of similar new used and collectible books available now at great prices 9782266266185 les secrets de thornwood house best french edition romer anna 2266266187 abebooks

les secrets de thornwood house by anna romer open library - Jun 20 2022

web mar 2 2017 les secrets de thornwood house by anna romer 2017 03 02 deutsch de english en español es français fr hrvatski hr italiano it portuguais pt [] [] [] te Українська uk [] [] zh my books an edition of les secrets de thornwood house 2017 les secrets de thornwood house by anna romer

les secrets de thornwood house best french edition - Apr 30 2023

web les secrets n appartiennent qu aux vivants après le décès de son ex mari audrey photograp les secrets de thornwood house best french edition by anna romer goodreads

les secrets de thornwood house french edition kindle edition - Sep 23 2022

web mar 26 2015 les secrets de thornwood house french edition ebook romer anna bourgeois valérie amazon ca kindle store *espace modules matha c matiques lycã c es classe pdf* - Sep 04 2022

web integral closure of ideals rings and modules history in mathematics education counterexamples in analysis a sentimental guide to venice endodontie earthworks and beyond introduction to reversible computing melodious accord espace modules matha c matiques lycã c es classe downloaded from old talentsprint com by guest chace

espace modules mathã â matiques lycã â es classe de - Mar 30 2022

web espace modules mathã â matiques lycã â es classe de seconde by f etchegaray espace modules mathã â matiques lycã â es classe de seconde by f etchegaray tous les emplois en production maintenance sÂ curitÂ m spcialit e e lexique de termes pdagogiques liens professionnels laparrej free fr actualitÂ s schweiz

espace de modules wikipédia - Feb 09 2023

web en mathématiques un espace de modules est un espace paramétrant les diverses classes d objets sous une relation d équivalence l intérêt est de pouvoir alors munir naturellement ces espaces de classes d une structure supplémentaire

[espace modules matha c matiques lycã c es classe copy](#) - Jun 01 2022

web espace modules matha c matiques lycã c es classe 2 6 downloaded from uniport edu ng on april 20 2023 by guest jungle girl season 2 frank cho 2009 11 10 dynamite s jungle girl series returns under the direction of cover artist co plotter frank avengers cho co plotter writer doug the nam savage tales murray and

cours série c mathématiques section Énoncé bacc maths série c - Dec 07 2022

web cours examens et concours annales bacc a c d sciences math bacc Énoncé bacc maths série c nous mettons à votre disposition des sujets de mathématiques proposés au baccalauréat série c à madagascar Énoncé bacc maths série c

espace modules mathématiques lycées classe de seconde by - Oct 05 2022

web jun 1 2023 espace modules mathématiques lycées classe de seconde by f etchegaray industrie Ã paris c est aussi l un des thèmes de musées amp millénaire québec 2003 language of life matha matiques ma thodes et exercices ecs 1re anna e concours ecoles de management

espace modules matha c matiques lycã c es classe pdf - Jun 13 2023

web guide espace modules matha c matiques lycã c es classe as you such as by searching the title publisher or authors of guide you in point of fact want you can discover them rapidly in the house workplace or perhaps in your method can

espace modules matha c matiques lyca c es classe pdf - Apr 11 2023

web may 29 2023 espace modules matha c matiques lyca c es classe 2 8 downloaded from uniport edu ng on may 29 2023 by guest exploring the vast and various symbols which abound in literature religion national identity and are found at the very heart of our dreams and sub conscious compiled by an

ebook espace modules matha c matiques lyca c es classe - Nov 06 2022

web espace modules matha c matiques lyca c es classe but stop occurring in harmful downloads rather than enjoying a fine ebook considering a mug of coffee in the afternoon then again they juggled with some harmful virus inside their computer

espace modules matha c matiques lyca c es classe is clear in our

espace modules matha c matiques lyca c es classe db udrive - Jul 14 2023

web 2 espace modules matha c matiques lyca c es classe 2021 10 08 media this ground breaking book investigates how the learning and teaching of mathematics can be improved through integrating the history of mathematics into all aspects of mathematics education lessons homework texts lectures projects assessment and curricula

espace modules matha c matiques lyca c es classe 2022 - Jul 02 2022

web espace modules matha c matiques lyca c es classe 1 espace modules matha c matiques lyca c es classe yeah reviewing a ebook espace modules matha c matiques lyca c es classe could ensue your near contacts listings this is just one of the solutions for you to be successful as understood talent does not suggest that you have

les leçons de cp de maths français sciences emc maître lucas - Feb 26 2022

web les mathématiques aident les étudiants de cp à comprendre le monde qui les entoure les quatre opérations

arithmétiques addition soustraction multiplication et division donnent du sens aux problèmes sur des grandeurs ou des mesures de grandeurs et favorisent la maîtrise de nombres par une pratique quotidienne

espace modules mathématiques lycées classe de seconde by - Aug 03 2022

web espace modules mathématiques lycées classe de seconde by f etchegaray espace modules mathématiques lycées classe de seconde by f etchegaray couperin travaux dans nos cv kadserv cours de math matiques terminale s lexique de termes pdagogiques cours de math matiques partie ii analyse mpsi 4 les espaces

espace modules mathématiques lycées classe de seconde by - Mar 10 2023

web espace modules mathématiques lycées classe de seconde by f etchegaray recherche extrannuaire fr april 25th 2020 c gratuit tous les sites gratuits veille sur les médias du web actualité du web technologie espace de discussion sur audio blindtest musical extrait audio nous avons testé les modules mémoires ddr2 en provenance de 16

espace modules matha c matiques lyca c es classe download - Aug 15 2023

web 2 espace modules matha c matiques lyca c es classe 2023 06 16 subject the concept of unambiguous automata which is

intimately linked with that of codes now plays a significant role throughout the book reflecting developments of the last 20 years this is complemented by a discussion of the connection between codes and automata and new

espace modules mathématiques lycées classe de seconde by - Jan 08 2023

web espace modules mathématiques lycées classe de seconde by f etchegaray liens professionnels laparrej free fr lexique de termes pdagogiques groupes premier degre 36 tice ac orleans tours fr tous les emplois en production maintenance s curit m grammalecte net grammalecte net le live marseille aller dans les plus grandes soires

espace modules matha c matiques lyca c es classe pdf - May 12 2023

web mar 24 2023 revelation espace modules matha c matiques lyca c es classe that you are looking for it will unquestionably squander the time however below with you visit this web page it will be hence totally simple to acquire as competently as download guide espace modules matha c matiques lyca c es classe it will not acknowledge many

sujets e3c 2021 spécialité mathématiques en classe de - Dec 27 2021

web sujets e3c en 2021 pour spécialité mathématiques classe de première cette page rassemble les sujets e3c de l année 2021 pour l épreuve spécialité mathématiques en classe de première e3c2 au bac général les sujets sont classés selon les thèmes et chapitres du programme auxquels ils font référence pour le bac 2021

espace modules matha c matiques lyca c es classe - Apr 30 2022

web espace modules matha c matiques lyca c es classe is available in our digital library an online access to it is set as public so you can get it instantly our digital library hosts in multiple locations allowing you to get the most less latency time to download

sujets e3c pour spécialité mathématiques classe de première - Jan 28 2022

web retrouvez ici la banque de sujets e3c pour la spé maths en première session 2020 cela permet de réviser efficacement toutes les notions et thématiques du programme l algèbre l analyse de fonction et suites la géométrie les probabilités et statistiques les algorithmes python comme si vous suiviez du soutien scolaire

ap european history crash course for the new 2020 exam - Apr 29 2023

web mar 3 2020 ap european history crash course a higher score in less time at rea we invented the quick review study guide for ap exams a decade later rea s

ap european history crash course tamaqua area school district - Nov 12 2021

crash course ap literature free download pdf issuhub - Dec 14 2021

web rea the test prep ap teachers recommend european crash course history lorry krieger get a higher score in time a complete ap european

[ap european history crash course rea advanced placement](#) - Aug 22 2022

web apr 25 2012 ap european history crash course gives you targeted focused review study only what you need to know crash course is based on an in depth analysis

[ap european history crash course book online ebook](#) - Mar 29 2023

web rea s crash course for ap european history is just what you need our crash course gives you targeted focused review study only what you need to know the crash

[european history crash course](#) - Jun 19 2022

web mar 22 2016 rea s all new ap european history crash course is perfect for the time crunched student the last minute studier or anyone who wants a refresher on the

[ap european history crash course book online get a](#) - Jan 27 2023

web mar 3 2020 ap european history crash course updated for today s exam a higher score in less time at rea we invented the quick review study guide for ap exams

ap european history crash course for the new 2020 exam - Nov 24 2022

web 1 online resource rea s crash course for the ap european history exam gets you a higher advanced placement score in less time about this new exam and test prep

ap european history crash course book online get a - Sep 03 2023

web isbn 978 0 7386 1270 6 ap european history crash course updated for today s exam a higher score in less time at rea we invented the quick review study guide

ap european history crash course book goodreads - Feb 25 2023

web 16 ratings3 reviews rea s crash course for the ap european history exam gets you a higher advanced placement score in less time about this new exam and test the

ap european history crash course larry krieger google books - Jul 21 2022

web in 50 episodes john green will teach you about european history to give you an overview of europe s history and connection with the world from 1450 to the present this course

ap european history rea ap test prep - Oct 04 2023

web ap european history practice exam 1 section 1 time 55 minutes 80 questions 1 renaissance humanism was a threat to the church because it a espoused atheism b

ap european history crash course larry krieger google books - Sep 22 2022

web jan 1 2009 ap european history crash course rea advanced placement ap crash course krieger larry on amazon com free shipping on qualifying offers

ap european history crash course 2nd ed book online - Aug 02 2023

web feb 10 2016 rea s crash course for the ap european history exam gets you a higher advanced placement score in less time about this new exam and test prep

ap european history crash course pdf 5njuec00tdg0 e - Mar 17 2022

web mar 27 2023 here s why more ap teachers and students turn to rea s ap european history crash course targeted review study only what you need to know

ap european history crash course book online overdrive - May 19 2022

web if this sounds like you don t panic rea s ap european history crash course is just what you need our crash course gives you targeted focused review study only

ap european history crash course krieger larry author free - Oct 24 2022

web rea s crash course for ap european history is just what you need our crash course gives you targeted focused review study only what you need to know the crash

ap european history crash course online practice exam - May 31 2023

web our ap european history online practice exam includes every topic and type of question you can expect to see on the exam it features timed testing conditions automatic

download book ap european history crash course for the - Feb 13 2022

web rea crash course ap european history downloaded from 2013 thecontemporaryaustin org by guest jada kimberly ap u s history research

ap european history crash course book barnes noble - Dec 26 2022

web mar 3 2020 for the new 2020 exam ap european history crash course a higher score in less time at rea we invented the quick review study guide for ap exams

ap european history crash course book amazon com - Jul 01 2023

web sep 23 2009 rea s crash course for the ap european history exam gets you a higher advanced placement score in less time crash course is perfect for the time

rea crash course ap european history - Jan 15 2022

web crash course ap literature at rea we re committed to producing books in an earth friendly manner and to helping our customers make greener choices manufac

ap european history crash course worldcat org - Apr 17 2022

web rea s crash course for ap european history is just what you need our crash course gives you targeted focused review study only what you need to know the crash

