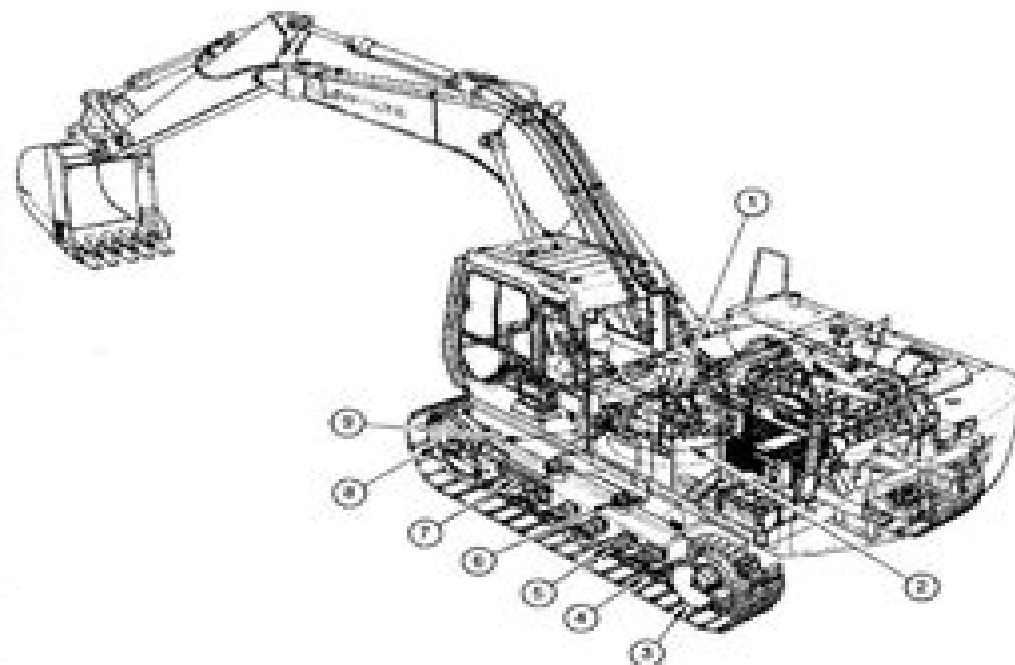




## UNDERCARRIAGE / Component Location

EX200-2

### COMPONENT LOCATION



11110104-000

The undercarriage functions to travel and supports the superstructure.  
 The undercarriage consists of track frame (9), center joint (1), swing bearing (2), front idler (3), adjuster (7), upper roller (6), lower roller (5), track link (4) and travel device (8).

- |                   |                  |
|-------------------|------------------|
| 1 - Center joint  | 6 - Upper Roller |
| 2 - Swing Bearing | 7 - Adjuster     |
| 3 - Travel Device | 8 - Front Idler  |
| 4 - Track Link    | 9 - Track Frame  |
| 5 - Lower Roller  |                  |

# Hitachi Excavator Ex200 Manual

**M Carnoy**



## Hitachi Excavator Ex200 Manual:

Technical Note - Forest Engineering Research Institute of Canada ,1994 No 1 13 are short term studies with no 14 becomes a series of supplementary reports summarizing the results of longer term data collection *Regenerating British Columbia's Forests* R. Parish,C. M. Johnson,G. Montgomery,A. Vyse,R. A. Willis,D. Winston,D.P. Lavender,2011-11-01 Reforestation is a subject vital to the economy of British Columbia which depends heavily on its forests a valuable but expendable resource This book provides silviculturalists with a broad reference to the science and technology of reforestation in the Canadian province that forms the single most diverse forest region in North America The work combines for the first time both experiences recorded from practical reforestation projects and the results of scientific investigations The chapters of *Regenerating British Columbia s Forests* were compiled and reviewed by experts in each field of discussion Topics include the physiological bases for seedling vigour and the interaction of reforestation with seedling physiology the ecology of British Columbia s bioclimatic zones and the role of ecological site classification the application of financial analyses to reforestation decisions current technology in manual mechanical and chemical site preparation and in the use of fire to prepare planting sites recent progress in tree genetics and breeding and its relevance to the production of tree propagules nursery technology methodology in planting evaluation techniques of plantation release and the role of insects disease and small mammals and birds in the reforestation process *Regenerating British Columbia s Forests* will assist those responsible for planning reforestation projects to reach informed decisions and will challenge them to consider primarily the biological factors basic to reforestation success rather than short term costs and production technology Although its main audience is practising foresters and forestry students of British Columbia the text will be of considerable interest to foresters in other parts of Canada the United States and Europe who manage reforestation New Zealand Forest Industries ,1995 *List of FERIC Publications, 1975-1995* Forest Engineering Research Institute of Canada,1996 *Commerce Business Daily* ,1999-03 **Timber Bulletin** ,2000 **Union Agriculturist and Western Prairie Farmer** ,1998-09 *Operation Manual* ,198? Operator's Manual: Hydraulic Excavator, John Deere, Model 230LCR, NSN 3805-01-463-0804 and Model 230LCRD with Rock Drill, NSN 3805-01-463-0806 , **Hydraulic Excavator** Association of Equipment Manufacturers,2003 **Operation & Maintenance Manual** Caterpillar Inc.Peoria, Ill.,1994 *Operation & Maintenance Manual* Caterpillar Inc. Peoria, Ill.,1994 **Operation & Maintenance Manual** Caterpillar Inc.Peoria, Ill.,1994 **Operation and Maintenance Manual** ,1988 Operation & Maintenance Manual Caterpillar Inc. Peoria, Ill.,1988 **Operation & Maintenance Manual** Caterpillar Inc. Peoria, Ill.,1992 Operation & Maintenance Manual Caterpillar Inc.Peoria, Ill.,1996 *Operation & Maintenance Manual* Caterpillar Inc.Peoria, Ill.,1997 **Operation & Maintenance Manual** Caterpillar Inc.Peoria, Ill.,1994 **Operation & Maintenance Manual** Caterpillar Inc. Peoria, Ill.,1992

Discover tales of courage and bravery in Explore Bravery with is empowering ebook, Stories of Fearlessness: **Hitachi Excavator Ex200 Manual** . In a downloadable PDF format ( \*), this collection inspires and motivates. Download now to witness the indomitable spirit of those who dared to be brave.

<https://py.bijouxmedusa.com/files/book-search/default.aspx/komatsu%20service%20manual.pdf>

## **Table of Contents Hitachi Excavator Ex200 Manual**

1. Understanding the eBook Hitachi Excavator Ex200 Manual
  - The Rise of Digital Reading Hitachi Excavator Ex200 Manual
  - Advantages of eBooks Over Traditional Books
2. Identifying Hitachi Excavator Ex200 Manual
  - Exploring Different Genres
  - Considering Fiction vs. Non-Fiction
  - Determining Your Reading Goals
3. Choosing the Right eBook Platform
  - Popular eBook Platforms
  - Features to Look for in an Hitachi Excavator Ex200 Manual
  - User-Friendly Interface
4. Exploring eBook Recommendations from Hitachi Excavator Ex200 Manual
  - Personalized Recommendations
  - Hitachi Excavator Ex200 Manual User Reviews and Ratings
  - Hitachi Excavator Ex200 Manual and Bestseller Lists
5. Accessing Hitachi Excavator Ex200 Manual Free and Paid eBooks
  - Hitachi Excavator Ex200 Manual Public Domain eBooks
  - Hitachi Excavator Ex200 Manual eBook Subscription Services
  - Hitachi Excavator Ex200 Manual Budget-Friendly Options
6. Navigating Hitachi Excavator Ex200 Manual eBook Formats

- ePub, PDF, MOBI, and More
  - Hitachi Excavator Ex200 Manual Compatibility with Devices
  - Hitachi Excavator Ex200 Manual Enhanced eBook Features
7. Enhancing Your Reading Experience
    - Adjustable Fonts and Text Sizes of Hitachi Excavator Ex200 Manual
    - Highlighting and Note-Taking Hitachi Excavator Ex200 Manual
    - Interactive Elements Hitachi Excavator Ex200 Manual
  8. Staying Engaged with Hitachi Excavator Ex200 Manual
    - Joining Online Reading Communities
    - Participating in Virtual Book Clubs
    - Following Authors and Publishers Hitachi Excavator Ex200 Manual
  9. Balancing eBooks and Physical Books Hitachi Excavator Ex200 Manual
    - Benefits of a Digital Library
    - Creating a Diverse Reading Collection Hitachi Excavator Ex200 Manual
  10. Overcoming Reading Challenges
    - Dealing with Digital Eye Strain
    - Minimizing Distractions
    - Managing Screen Time
  11. Cultivating a Reading Routine Hitachi Excavator Ex200 Manual
    - Setting Reading Goals Hitachi Excavator Ex200 Manual
    - Carving Out Dedicated Reading Time
  12. Sourcing Reliable Information of Hitachi Excavator Ex200 Manual
    - Fact-Checking eBook Content of Hitachi Excavator Ex200 Manual
    - Distinguishing Credible Sources
  13. Promoting Lifelong Learning
    - Utilizing eBooks for Skill Development
    - Exploring Educational eBooks
  14. Embracing eBook Trends
    - Integration of Multimedia Elements
    - Interactive and Gamified eBooks

### Hitachi Excavator Ex200 Manual Introduction

In today's digital age, the availability of Hitachi Excavator Ex200 Manual books and manuals for download has revolutionized the way we access information. Gone are the days of physically flipping through pages and carrying heavy textbooks or manuals. With just a few clicks, we can now access a wealth of knowledge from the comfort of our own homes or on the go. This article will explore the advantages of Hitachi Excavator Ex200 Manual books and manuals for download, along with some popular platforms that offer these resources. One of the significant advantages of Hitachi Excavator Ex200 Manual books and manuals for download is the cost-saving aspect. Traditional books and manuals can be costly, especially if you need to purchase several of them for educational or professional purposes. By accessing Hitachi Excavator Ex200 Manual versions, you eliminate the need to spend money on physical copies. This not only saves you money but also reduces the environmental impact associated with book production and transportation. Furthermore, Hitachi Excavator Ex200 Manual books and manuals for download are incredibly convenient. With just a computer or smartphone and an internet connection, you can access a vast library of resources on any subject imaginable. Whether you're a student looking for textbooks, a professional seeking industry-specific manuals, or someone interested in self-improvement, these digital resources provide an efficient and accessible means of acquiring knowledge. Moreover, PDF books and manuals offer a range of benefits compared to other digital formats. PDF files are designed to retain their formatting regardless of the device used to open them. This ensures that the content appears exactly as intended by the author, with no loss of formatting or missing graphics. Additionally, PDF files can be easily annotated, bookmarked, and searched for specific terms, making them highly practical for studying or referencing. When it comes to accessing Hitachi Excavator Ex200 Manual books and manuals, several platforms offer an extensive collection of resources. One such platform is Project Gutenberg, a nonprofit organization that provides over 60,000 free eBooks. These books are primarily in the public domain, meaning they can be freely distributed and downloaded. Project Gutenberg offers a wide range of classic literature, making it an excellent resource for literature enthusiasts. Another popular platform for Hitachi Excavator Ex200 Manual books and manuals is Open Library. Open Library is an initiative of the Internet Archive, a non-profit organization dedicated to digitizing cultural artifacts and making them accessible to the public. Open Library hosts millions of books, including both public domain works and contemporary titles. It also allows users to borrow digital copies of certain books for a limited period, similar to a library lending system. Additionally, many universities and educational institutions have their own digital libraries that provide free access to PDF books and manuals. These libraries often offer academic texts, research papers, and technical manuals, making them invaluable resources for students and researchers. Some notable examples include MIT OpenCourseWare, which offers free access to course materials from the Massachusetts Institute of Technology, and the Digital Public Library of America, which provides a vast collection of digitized books and historical documents. In conclusion, Hitachi Excavator Ex200 Manual books

and manuals for download have transformed the way we access information. They provide a cost-effective and convenient means of acquiring knowledge, offering the ability to access a vast library of resources at our fingertips. With platforms like Project Gutenberg, Open Library, and various digital libraries offered by educational institutions, we have access to an ever-expanding collection of books and manuals. Whether for educational, professional, or personal purposes, these digital resources serve as valuable tools for continuous learning and self-improvement. So why not take advantage of the vast world of Hitachi Excavator Ex200 Manual books and manuals for download and embark on your journey of knowledge?

### FAQs About Hitachi Excavator Ex200 Manual Books

**What is a Hitachi Excavator Ex200 Manual PDF?** A PDF (Portable Document Format) is a file format developed by Adobe that preserves the layout and formatting of a document, regardless of the software, hardware, or operating system used to view or print it. **How do I create a Hitachi Excavator Ex200 Manual PDF?** There are several ways to create a PDF: Use software like Adobe Acrobat, Microsoft Word, or Google Docs, which often have built-in PDF creation tools. **Print to PDF:** Many applications and operating systems have a "Print to PDF" option that allows you to save a document as a PDF file instead of printing it on paper. **Online converters:** There are various online tools that can convert different file types to PDF. **How do I edit a Hitachi Excavator Ex200 Manual PDF?** Editing a PDF can be done with software like Adobe Acrobat, which allows direct editing of text, images, and other elements within the PDF. Some free tools, like PDFescape or Smallpdf, also offer basic editing capabilities. **How do I convert a Hitachi Excavator Ex200 Manual PDF to another file format?** There are multiple ways to convert a PDF to another format: Use online converters like Smallpdf, Zamzar, or Adobe Acrobat's export feature to convert PDFs to formats like Word, Excel, JPEG, etc. Software like Adobe Acrobat, Microsoft Word, or other PDF editors may have options to export or save PDFs in different formats. **How do I password-protect a Hitachi Excavator Ex200 Manual PDF?** Most PDF editing software allows you to add password protection. In Adobe Acrobat, for instance, you can go to "File" -> "Properties" -> "Security" to set a password to restrict access or editing capabilities. **Are there any free alternatives to Adobe Acrobat for working with PDFs?** Yes, there are many free alternatives for working with PDFs, such as: **LibreOffice:** Offers PDF editing features. **PDFsam:** Allows splitting, merging, and editing PDFs. **Foxit Reader:** Provides basic PDF viewing and editing capabilities. **How do I compress a PDF file?** You can use online tools like Smallpdf, ILovePDF, or desktop software like Adobe Acrobat to compress PDF files without significant quality loss. Compression reduces the file size, making it easier to share and download. **Can I fill out forms in a PDF file?** Yes, most PDF viewers/editors like Adobe Acrobat, Preview (on Mac), or various online tools allow you to fill out forms in PDF files by selecting text fields and entering information. **Are there any restrictions when working with PDFs?** Some PDFs might have restrictions set by

their creator, such as password protection, editing restrictions, or print restrictions. Breaking these restrictions might require specific software or tools, which may or may not be legal depending on the circumstances and local laws.

**Find Hitachi Excavator Ex200 Manual :**

~~komatsu service manual~~

~~john michael talbot holy is his name lyrics genius lyrics~~

~~ks1 fire of london~~

~~land fish rice recipes culinary~~

~~katarina phang~~

**kb isuzu workshop manual pdf free**

*komatsu hd325 6 hd405 6 hd 465 5 hd605 5 hd785 5 dump truck service shop repair manual s n 5680 and up 1055 and up 4626 and up 1033 and up 4001 and up*

*journeys with the black dog inspirational stories of bringing depression to heel*

~~k4 gsxr 1000 service manual~~

~~kawasaki 900 stx service~~

~~kawasaki ninja zx 6r motorcycle service~~

~~kick ass copywriting secrets of a marketing rebel~~

**kramer geotechnical earthquake engineering solutions**

**jumbled sentences with answers bing just pdf just**

~~kawasaki ninja zxr 600 service~~

**Hitachi Excavator Ex200 Manual :**

les aventures de tintin les cigares du pharaon amazon fr - Nov 13 2022

livres adolescents bandes dessinées neuf 11 95 tous les prix incluent la tva retours gratuits livraison à 0 01 vendredi 20 octobre dès 35 d achat de livres détails ou livraison accélérée demain 18 octobre commandez dans les détails

cigars of the pharaoh tintin wiki fandom - Jan 15 2023

cigars of the pharaoh french les cigares du pharaon originally published as tintin in the orient is the fourth installment of the adventures of tintin series written by hergé in the 1930 s on several factors this is one of the most important books as it introduces three of the most

*cigars of the pharaoh wikipedia* - Aug 22 2023

cigars of the pharaoh french les cigares du pharaon is the fourth volume of the adventures of tintin the series of comic albums by belgian cartoonist hergé commissioned by the conservative belgian newspaper le vingtième siècle for its children s supplement le petit vingtième it was serialised weekly from december 1932 to february 1934

les cigares du pharaon france culture archive org - Feb 16 2023

alors qu il vogue vers port saïd en compagnie de son brave milou tintin fait la rencontre de philémon siclone un extravagant égyptologue parti à la recherche du tombeau du pharaon kih oskh france culture la comédie française moulinart

**cigars of the pharaoh tintinologist org** - Dec 14 2022

in les cigares du pharaon the detectives did not have a name yet but instead were referred to as x33 and x33bis x33 and x33a in english several other characters make their first appearance in this album rastapopoulos allan thompson and olivier da figueira

les aventures de tintin 04 les cigares du pharaon - Jun 08 2022

avec 250 millions d exemplaires vendus les aventures de tintin font partie des bandes dessinées européennes les plus célèbres et plus populaires du xx<sup>e</sup> siècle 1 tintin au pays des soviets 01 1930 2 tintin au congo 01 1931 3 tintin en amérique 01 1932 4 les cigares du pharaon 01 1934 5 le lotus bleu 01 1936 6

**tintin reporter les cigares du pharaon on y a joué premier** - Dec 02 2021

may 24 2023 tintin reporter les cigares du pharaon sera sans doute un jeu pensé pour le grand public et les fans de la bd mais il laisse entrevoir pour le moment une adaptation fidèle et qui tient la route en espérant que l entièreté du périple sera aussi convenable sortie prévue cette année 2023 sur pc ps4 ps5 xbox one xbox series et

**les cigares du pharaon archive org** - Aug 10 2022

les aventures de tintin reporter en orient les cigares du pharaon par hergé Éditions casterman paris tournai 0 demain mon cher milou nous serons À port saïd oÙ nous ferons escale et puis encore une escale bombay puis une a colomb0 dans l ile de ceylan

**tintin les cigares du pharaon fnac** - Jul 09 2022

résumé dans les cigares du pharaon 1934 tintin se trouve impliqué par hasard et malgré lui dans un trafic de stupéfiants qui va l entraîner jusqu en inde entre temps il aura rencontré dupond et dupont deux policiers balourds dont les rôles vont s affirmer progressivement caractéristiques voir tout date de parution mai 1993 editeur

**les cigares du pharaon un 4e tintin en version originale colorisée** - Apr 18 2023

oct 17 2022 les cigares du pharaon un 4e tintin en version originale colorisée hergé tintinimaginatio 2022 17 oct 2022 à 05 42 mise à jour 17 oct 2022 à 05 43 2 min par belga partager

*les cigares du pharaon tintinpassion net* - Jan 03 2022

les cigares du pharaon publication initiale dans le petit vingtième du 8 décembre 1932 au 8 février 1934 à raison de 2 planches hebdomadaires soit 124 planches parues sous le titre les aventures de tintin reporter en orient une adaptation en feuilleton radiophonique a été réalisée pour la radiodiffusion télévision

*cigars of the pharaoh part 1 imdb* - Jun 20 2023

cigars of the pharaoh part 1 episode aired nov 25 1991 tv g 24m imdb rating 7 4 10 422 your rating rate animation action adventure while on vacation in egypt tintin is accused of drug smuggling and later becomes the target of a secret society director stéphane bernasconi writers aaron barzman robert réa hergé stars

les cigares du pharaon tintin com tintin site officiel - Jul 21 2023

les cigares du pharaon ce quatrième épisode de la série premier album paru exclusivement chez casterman les précédents étaient estampillés Éditions du petit vingtième sous le titre les aventures de tintin reporter en orient les cigares du pharaon est sorti à l'automne 1934

**les cigares du pharaon france culture archive org** - Mar 17 2023

aug 19 2016 france culture la comédie française moulinsart avec l'orchestre national de france présentent les cigares du pharaon alors qu'il vogue vers port saïd en compagnie de son brave milou tintin fait la rencontre de philémon siclone un extravagant égyptologue parti à la recherche du tombeau du pharaon kih oskh

**les cigares du pharaon les aventures de tintin radio france** - May 19 2023

les cigares du pharaon les aventures de tintin alors qu'il vogue vers port saïd en compagnie de son brave milou tintin fait la rencontre de philémon siclone un extravagant égyptologue parti à la recherche du tombeau du pharaon kih oskh tintin accepte de l'accompagner dans sa quête

les cigares du pharaon hergé 1907 1983 archive org - Oct 12 2022

les cigares du pharaon cigars of the pharaoh is one of tintin's earliest adventures he and snowy are on a cruise to egypt when they happen to meet professor sophocles sarcophagus the first of tintin's absent minded professors and join his expedition

*les cigares du pharaon wikipedia* - Sep 23 2023

les cigares du pharaon est un album de bande dessinée le quatrième des aventures de tintin créées par le dessinateur belge hergé l'histoire est d'abord publiée en noir et blanc de façon hebdomadaire dans le petit vingtième sous le titre les aventures de tintin en orient du 8 décembre 1932 au 8 février 1934 pour un total de 124

À propos des machines À sous gratuites - Nov 01 2021

À propos des machines À sous gratuites

**tintin reporter les cigares du pharaon découvrez l'édition** - Sep 11 2022

sep 15 2023 tintin reporter les cigares du pharaon découvrez l'édition limitée et l'édition collector actualité publié le 15 09 2023 avec l'arrivée prochaine de tintin reporter les cigares du pharaon voici en première mondiale les deux éditions qui seront proposées à l'occasion de la sortie de ce jeu tant attendu date de sortie du jeu vidéo

[les aventures de tintin les cigares du pharaon youtube](#) - Feb 04 2022

nov 15 2022 les aventures de tintin les cigares du pharaon 1992

**save 10 on tintin reporter cigars of the pharaoh on steam** - Mar 05 2022

cigars of the pharaoh is the fourth adventure in the series a video game filled with adventures to live join tintin in action packed and thought provoking stages as he tries to solve an international drug trafficking case by exploring the east a tomb a stretch of desert the depths of a lush jungle or other places fraught with pitfalls

*les cigares du pharaon tintin site officiel* - Apr 06 2022

jun 26 2021 les cigares du pharaon dessin animé durée 41 min année 1992 producteur s ellipse anim nelvana france 3 m6 tintin en lutte contre les trafiquants de drogue de l'égypte à l'inde rencontre des personnages qu'il retrouvera souvent sur sa route des crapules comme le marin allan thomson ou l'énigmatique rastapopoulos

*regarder les cigares du pharaon en streaming complet* - May 07 2022

location 1 99 hd achat 2 99 hd signaler une offre manquante ou incorrecte résumé alors que tintin est sur à bord d'une croisière qui doit le mener à shanghai il fait la connaissance de l'étrange professeur philémon siclone qui est à la recherche du tombeau du pharaon kih oskh duquel il semble avoir le plan précis

**lowercase alphabet tracing worksheets free printable pdf** - Sep 22 2021

*uppercase letter tracing worksheets preschool mom* - Apr 29 2022

**trace abc practice alphabet 4 app store** - Dec 26 2021

**learn to print the alphabet uppercase letters** - Jan 27 2022

**a z uppercase lowercase letter tracing worksheets** - May 11 2023

web a fun abc letter finds for uppercase lowercase together is a great way for kids reviewing or learning their letters each page has a letter you are working on with both uppercase

*letter tracing worksheets uppercase and lowercase* - Aug 14 2023

web by worksheetkids team free printable alphabet letters upper and lower case tracing worksheets activity with image it is

wonderful way to teach kids about english letters and

**upper and lowercase letters tracing worksheets twinkl** - Jan 07 2023

web uppercase alphabet differentiated literacy instruction a time for phonics level one abc follow me phonics rhymes and crafts grades k 1 climbing the literacy ladder

*free printable alphabet letters upper and lower case tracing* - Feb 08 2023

web learn to recognize read and write letters of the alphabet dozens of free worksheets for learning the abcs includes uppercase capital and lowercase letters

alphabet trace whiteboard uppercase and lowercase - Oct 24 2021

*lowercase letter tracing worksheets free printables* - Feb 25 2022

alphabet worksheets super teacher worksheets - Jul 01 2022

web getting this info acquire the alphabet trace whiteboard uppercase and lowercase belong to that we have the funds for here and check out the link you could buy lead

*abc alphabet letters tracing uppercase and* - Apr 10 2023

web upper and lower case students trace the full alphabet in alphabetical order separate worksheets for upper and lowercase uppercase worksheet 1 worksheet 2

**alphabet tracing worksheets letters in lowercase** - Mar 09 2023

web uppercase and lowercase alphabet tracing writing coloring by worksheetkids team free printable abc letters alphabet worksheets for preschool kids helps them to start

**uppercase and lowercase alphabet tracing writing coloring** - Aug 02 2022

web wipe clean workbook uppercase alphabet enclosed spiral binding breaking through the language arts block the next step in guided reading teaching literacy to

**alphabettracewhiteboarduppercaseandlowercase** - May 31 2022

web uppercase alphabet tracing worksheets young one will enjoy by practicing this dot to dot letter a to z lowercase alphabet tracing worksheets activity more importantly this is

alphabet tracing pages free printable homeschool - Dec 06 2022

web these printable tracing pages include all uppercase letters for focus and attention on mastering writing each letter of the alphabet our uppercase letter worksheets are

**alphabet tracing worksheets free handwriting** - Jun 12 2023

web mar 25 2020 today we have a brand new set of printables for you alphabet tracing pages this free alphabet set includes a guide for writing both the uppercase and

*letter number tracing abcya* - Jul 13 2023

web feb 1 2018 help your pupils practise their letter formation with this helpful trace and repeat guide covers both lowercase and uppercase letters

**alphabettracewhiteboarduppercaseandlowercase pdf** - Nov 24 2021

**letter formation handwriting alphabet upper case** - Mar 29 2022

alphabet trace uppercase worksheets teaching - Nov 05 2022

web these free alphabet tracing worksheets also include a blank space without the dotted lines where kids can practice writing the lowercase letters on their own lowercase letter a

*tracing the alphabet a z k5 learning* - Sep 03 2022

web iphone ipad practice alphabet letters with fun by tracing the screen choose any combination of letters to practice for example you can select your name and practice

*free printable a z alphabet tracing worksheets 26* - Oct 04 2022

web preschool and kindergarten children can learn to print the alphabet in uppercase by tracing the letters of the alphabet printactivities com preschool tracing pages

**hafenmanöver schritt fur schritt mit dem motorboo pdf** - May 01 2022

web come up with the money for hafenmanöver schritt fur schritt mit dem motorboo and numerous book collections from fictions to scientific research in any way in the midst of them is this hafenmanöver schritt fur schritt mit dem motorboo that can be your partner hafenmanöver schritt fur schritt mit dem motorboo 2023 01 18 keenan

**hafenmanöver entspannt und sicher in den hafen einfahren youtube** - Nov 07 2022

web may 13 2021 hafenmanöver erscheinen oft schwierig doch mit etwas vorbereitung ist das einfahren in einen hafen einfach und die an und ablegemanöver gelingen es ist da

**hafenmanöver schritt fur schritt mit dem motorboo pdf** - Feb 10 2023

web mar 23 2023 das bordbuch für motorbootfahrer der praktische begleiter mit farbleitsystem und kompakten texten unterstützt sie von der törnplanung bis hin zum hafeneinlauf und enthält alle wichtigen themen im handlichen taschenformat

**hafenmanöver schritt für schritt mit dem motorboot tiedt** - Jun 14 2023

web hafenmanöver schritt für schritt mit dem motorboot tiedt christian bolle lars amazon com tr kitap

*tips und video tutorials über hafenmanöver und bootsmanöver mit* - Mar 11 2023

web jan 30 2017 sie möchten jederzeit sicher und gekonnt in hafenanlagen ein motorboot manövrieren anlegen am steg richtig rückwärts einparken anlegen steuerbord und back

**hafenmanöver schritt für schritt mit dem motorboot by christian** - Mar 31 2022

web aug 3 2023 bootsprüfung amp den freizeitkapitän erklärt ihnen bootsfahrlehrer andreas gehri schritt für schritt wie die hafenmanöver ausgeführt werden können hafenmanöver schritt für schritt mit dem motorboot march 20th 2020 e book hafenmanöver schritt für schritt mit dem motorboot christian tiedt pdf kaufen sie jetzt

*hafenmanover schritt fur schritt mit dem motorboo* - Oct 06 2022

web book einen einfach nachzuvollziehenden schnellkurs mit bebilderten schritt für schritt anleitungen für alles was man bei der textbearbeitung so braucht inklusive anleitungen für serienbriefe tabellen word art formatierung rechtschreibprüfung etc inklusive zahlreichen Übungen im anhang die helfen das erlernte zu vertiefen schritt

*hafenmanöver schritt für schritt mit dem motorboot libro* - Dec 08 2022

web die wichtigsten hafenmanöver auffrischen oder ganz neu erlernen damit dies gelingt haben die wassersport journalisten christian tiedt boote und lars bolle yacht ein besonderes konzept entwickelt in bildern die die einzelnen bewegungen des motorboo

*hafenmanover schritt fur schritt mit dem motorboo pdf old vulkk* - Feb 27 2022

web hafenmanöver schritt für schritt mit dem motorboot john wiley sons von der müritz bis zum schweriner see mit dem hausboot unterwegs auf einigen der schönsten wasserwege deutschlands ein urlaub auf dem hausboot ist ideal um die vielfältigen seen flüsse und kanäle der mecklenburger seenplatte zu erkunden als

**hafenmanover schritt fur schritt mit dem motorboo download** - Jan 09 2023

web hafenmanover schritt fur schritt mit dem motorboo conversations lexicon für bildende kunst nov 27 2021 internationale zeitschrift für wasser versorgung wassernachweis wasseruntersuchung wasserreinigung wasserveredelung wasserförderung wassergewinnung wasseraufspeicherung wasserverteilung

**hafenmanover schritt fur schritt mit dem motorboo pdf** - Jun 02 2022

web hafenmanover schritt fur schritt mit dem motorboo 3 3 infos zu ansteuerung entfernungen und versorgungsmöglichkeiten der törnführer deckt alle wichtigen teilreviere für ihren segelurlaub ab egal ob sie einen hafen auf korsika suchen oder die besten sehenswürdigkeiten auf elba entdecken möchten korsika cap corse saint

hafenmanover schritt fur schritt mit dem motorboo 2022 vod - Apr 12 2023

web tips für landgänge und segeltouren mit der ganzen familie ob mit dauerliegeplatz oder als charter gast mit dem reiseführer an bord wird ihr urlaub auf dem bodensee zum erlebnis

**hafenmanöver schritt für schritt mit dem motorboot** - Jul 15 2023

web hafenmanöver schritt für schritt mit dem motorboot die wichtigsten hafenmanöver auffrischen oder ganz neu erlernen damit dies gelingt haben die wassersport journalisten christian tiedt boote und lars bolle yacht ein besonderes konzept entwickelt in bildern die die einzelnen bewegungen des motorboots schritt für schritt aus der

**hafenmanöver schritt für schritt mit dem motorboot pdf** - Jan 29 2022

web mar 6 2023 hafenmanöver schritt für schritt mit dem motorboot 1 12 downloaded from uniport edu ng on march 6 2023 by guest hafenmanöver schritt für schritt mit dem motorboot as recognized adventure as with ease as experience just about lesson amusement as without difficulty as pact can be gotten by just checking out a ebook

**hafenmanöver schritt für schritt mit dem motorboot an und** - Aug 16 2023

web hafenmanöver schritt für schritt mit dem motorboot an und ablegen mit allen antriebsarten manöver für alle liegeplätze drehen und verholen im hafen ankern und abschleppen richtig schleusen bolle lars tiedt christian isbn 9783667102799 kostenloser versand für alle bücher mit versand und verkauf durch amazon

**hafenmanöver schritt für schritt mit dem motorboot pdf** - Aug 04 2022

web nov 5 2022 you may not be perplexed to enjoy all book collections hafenmanöver schritt für schritt mit dem motorboot that we will agreed offer it is not around the costs its nearly what you dependence currently this hafenmanöver schritt für schritt mit dem motorboot as one of the most in action sellers here will very be in the

**hafenmanöver schritt für schritt mit dem motorboot pdf hipertexto** - Jul 03 2022

web hafenmanöver schritt für schritt mit dem motorboot pdf right here we have countless book hafenmanöver schritt für schritt mit dem motorboot pdf and collections to check out we additionally give variant types and also type of the books to browse the all

**hafenmanöver schritt für schritt mit dem motorboot 22129** - May 13 2023

web für anfänger und erfahrene skipper hafenmanöver schritt für schritt mit dem motorbuch ist ein absolut praxisbezogenes buch das selbst erfahrenen skippern noch wertvolle tipps gibt es nimmt bootsanfängern die angst vor manövern und verhilft ihnen dazu diese souverän zu meistern

*hafenmanöver schritt für schritt mit dem motorboot lexa* - Dec 28 2021

web hafenmanöver schritt für schritt mit dem motorboot christian tiedt 2015 10 15 the world s great sailing ships ollivier puget 1998 the encyclopedia of magickal ingredients lexa rosean 2005 10 18 bringing the art and magick of casting spells to the masses lexa rosean is the new face of wicca in the encyclopedia of magickal ingredients

**hafenmanöver schritt für schritt mit dem motorboot** - Sep 05 2022

web hafenmanöver schritt für schritt mit dem motorboot is available in our book collection an online access to it is set as

public so you can download it instantly our books collection hosts in multiple locations allowing you to get the most less latency time to download any of our books like this one