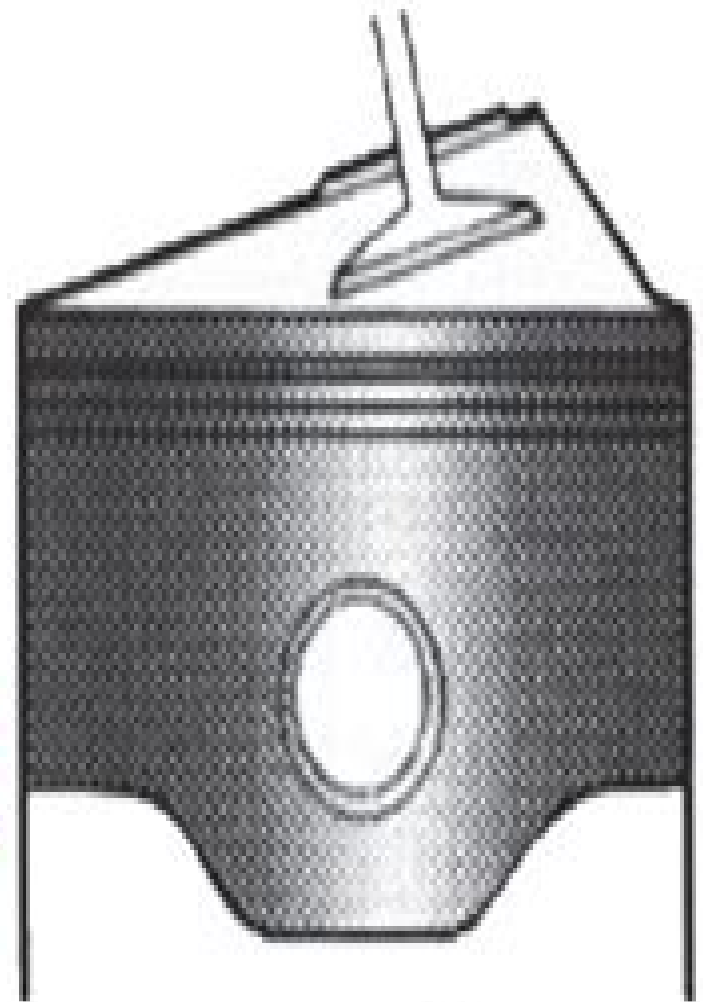
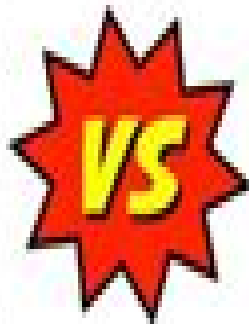


**Interference
Engine**



**Non-Interference
Engine**

Interference Engine List Volkswagen

Lingsheng Yao



Interference Engine List Volkswagen:

Getting the books **Interference Engine List Volkswagen** now is not type of inspiring means. You could not deserted going following ebook stock or library or borrowing from your contacts to read them. This is an certainly simple means to specifically acquire lead by on-line. This online proclamation Interference Engine List Volkswagen can be one of the options to accompany you considering having other time.

It will not waste your time. undertake me, the e-book will unquestionably way of being you other matter to read. Just invest little period to admittance this on-line pronouncement **Interference Engine List Volkswagen** as with ease as review them wherever you are now.

<https://py.bijouxmedusa.com/About/uploaded-files/HomePages/Drug%20Test%20Questions%20And%20Answers.pdf>

Table of Contents Interference Engine List Volkswagen

1. Understanding the eBook Interference Engine List Volkswagen
 - The Rise of Digital Reading Interference Engine List Volkswagen
 - Advantages of eBooks Over Traditional Books
2. Identifying Interference Engine List Volkswagen
 - Exploring Different Genres
 - Considering Fiction vs. Non-Fiction
 - Determining Your Reading Goals
3. Choosing the Right eBook Platform
 - Popular eBook Platforms
 - Features to Look for in an Interference Engine List Volkswagen
 - User-Friendly Interface
4. Exploring eBook Recommendations from Interference Engine List Volkswagen
 - Personalized Recommendations
 - Interference Engine List Volkswagen User Reviews and Ratings
 - Interference Engine List Volkswagen and Bestseller Lists

5. Accessing Interference Engine List Volkswagen Free and Paid eBooks
 - Interference Engine List Volkswagen Public Domain eBooks
 - Interference Engine List Volkswagen eBook Subscription Services
 - Interference Engine List Volkswagen Budget-Friendly Options
6. Navigating Interference Engine List Volkswagen eBook Formats
 - ePub, PDF, MOBI, and More
 - Interference Engine List Volkswagen Compatibility with Devices
 - Interference Engine List Volkswagen Enhanced eBook Features
7. Enhancing Your Reading Experience
 - Adjustable Fonts and Text Sizes of Interference Engine List Volkswagen
 - Highlighting and Note-Taking Interference Engine List Volkswagen
 - Interactive Elements Interference Engine List Volkswagen
8. Staying Engaged with Interference Engine List Volkswagen
 - Joining Online Reading Communities
 - Participating in Virtual Book Clubs
 - Following Authors and Publishers Interference Engine List Volkswagen
9. Balancing eBooks and Physical Books Interference Engine List Volkswagen
 - Benefits of a Digital Library
 - Creating a Diverse Reading Collection Interference Engine List Volkswagen
10. Overcoming Reading Challenges
 - Dealing with Digital Eye Strain
 - Minimizing Distractions
 - Managing Screen Time
11. Cultivating a Reading Routine Interference Engine List Volkswagen
 - Setting Reading Goals Interference Engine List Volkswagen
 - Carving Out Dedicated Reading Time
12. Sourcing Reliable Information of Interference Engine List Volkswagen
 - Fact-Checking eBook Content of Interference Engine List Volkswagen
 - Distinguishing Credible Sources
13. Promoting Lifelong Learning

- Utilizing eBooks for Skill Development
 - Exploring Educational eBooks
14. Embracing eBook Trends
- Integration of Multimedia Elements
 - Interactive and Gamified eBooks

Interference Engine List Volkswagen Introduction

Interference Engine List Volkswagen Offers over 60,000 free eBooks, including many classics that are in the public domain. Open Library: Provides access to over 1 million free eBooks, including classic literature and contemporary works. Interference Engine List Volkswagen Offers a vast collection of books, some of which are available for free as PDF downloads, particularly older books in the public domain. Interference Engine List Volkswagen : This website hosts a vast collection of scientific articles, books, and textbooks. While it operates in a legal gray area due to copyright issues, its a popular resource for finding various publications. Internet Archive for Interference Engine List Volkswagen : Has an extensive collection of digital content, including books, articles, videos, and more. It has a massive library of free downloadable books. Free-eBooks Interference Engine List Volkswagen Offers a diverse range of free eBooks across various genres. Interference Engine List Volkswagen Focuses mainly on educational books, textbooks, and business books. It offers free PDF downloads for educational purposes. Interference Engine List Volkswagen Provides a large selection of free eBooks in different genres, which are available for download in various formats, including PDF. Finding specific Interference Engine List Volkswagen, especially related to Interference Engine List Volkswagen, might be challenging as theyre often artistic creations rather than practical blueprints. However, you can explore the following steps to search for or create your own

Online Searches: Look for websites, forums, or blogs dedicated to Interference Engine List Volkswagen, Sometimes enthusiasts share their designs or concepts in PDF format. Books and Magazines Some Interference Engine List Volkswagen books or magazines might include. Look for these in online stores or libraries. Remember that while Interference Engine List Volkswagen, sharing copyrighted material without permission is not legal. Always ensure youre either creating your own or obtaining them from legitimate sources that allow sharing and downloading. Library Check if your local library offers eBook lending services. Many libraries have digital catalogs where you can borrow Interference Engine List Volkswagen eBooks for free, including popular titles. Online Retailers: Websites like Amazon, Google Books, or Apple Books often sell eBooks. Sometimes, authors or publishers offer promotions or free periods for certain books. Authors Website Occasionally, authors provide excerpts or short stories for free on their websites. While this might not be the Interference Engine List Volkswagen full book , it can give you a taste of the authors writing style. Subscription Services Platforms like Kindle Unlimited or Scribd

offer subscription-based access to a wide range of Interference Engine List Volkswagen eBooks, including some popular titles.

FAQs About Interference Engine List Volkswagen Books

How do I know which eBook platform is the best for me? Finding the best eBook platform depends on your reading preferences and device compatibility. Research different platforms, read user reviews, and explore their features before making a choice. Are free eBooks of good quality? Yes, many reputable platforms offer high-quality free eBooks, including classics and public domain works. However, make sure to verify the source to ensure the eBook credibility. Can I read eBooks without an eReader? Absolutely! Most eBook platforms offer web-based readers or mobile apps that allow you to read eBooks on your computer, tablet, or smartphone. How do I avoid digital eye strain while reading eBooks? To prevent digital eye strain, take regular breaks, adjust the font size and background color, and ensure proper lighting while reading eBooks. What the advantage of interactive eBooks? Interactive eBooks incorporate multimedia elements, quizzes, and activities, enhancing the reader engagement and providing a more immersive learning experience. Interference Engine List Volkswagen is one of the best book in our library for free trial. We provide copy of Interference Engine List Volkswagen in digital format, so the resources that you find are reliable. There are also many Ebooks of related with Interference Engine List Volkswagen. Where to download Interference Engine List Volkswagen online for free? Are you looking for Interference Engine List Volkswagen PDF? This is definitely going to save you time and cash in something you should think about.

Find Interference Engine List Volkswagen :

drug test questions and answers

[dove posso scaricare libri harmony](#)

disney classics storybook collection

dk4510 dk5010 dk5510 kioti tractor kioti nuova serie dk

[dr carl e misch](#)

dispensa integrativa del corso di economia politica

douaa al jomø3a en arabe marøe

[e academy lockedinlace](#)

douglas dc 3 dakota owners workshop manual 1935 onwards all marks an insight into owning flying and maintaining the

revolutionary american transport aircraft hardback common
drill bit guide for a hand held
dragon warrior 3 game genie
e uso manutenzione mini countryman
e chitarra ritmica
don quijote don juan y la celestina
drums percussion alfred music

Interference Engine List Volkswagen :

jenseits des himalaya ebook by murdo macdonald bayne - Feb 09 2023

web read jenseits des himalaya tibetisches tagebuch teil 1 by murdo macdonald bayne available from rakuten kobo der autor erzählt von seiner tibetreise im jahre 1936 wo er in verschiedenen klöstern in unterschiedlichen disziplinen

[jenseitsdeshimalayatibetischestagebuchteil1 2022](#) - Dec 07 2022

web jenseits des himalaya weber ag verlag der autor erzählt von seiner tibetreise im jahre 1936 wo er in verschiedenen klöstern in unterschiedlichen disziplinen geschult wird

jenseits des himalaya tibetisches tagebuch teil 1 german - May 12 2023

web jenseits des himalaya tibetisches tagebuch teil 1 german edition ebook macdonald bayne murdo amazon in kindle store

jenseits des himalaya tibetisches tagebuch teil 1 google play - Aug 15 2023

web jenseits des himalaya tibetisches tagebuch teil 1 ebook written by murdo macdonald bayne read this book using google play books app on your pc android ios devices download for offline reading highlight bookmark or take notes while you read jenseits des himalaya tibetisches tagebuch teil 1

jenseits des himalaya tibetisches tagebuch teil 1 ebook amazon de - Jun 13 2023

web jenseits des himalaya tibetisches tagebuch teil 1 ebook macdonald bayne murdo amazon de books

[jenseitsdeshimalaya tibetischestagebuch teil1](#) - Feb 26 2022

web jenseits des himalaya a description of europe an experiment in marriage spiritual and mental healing sanctuary of the silent healing power litteratura coleopterologica 1758 1900 divine healing of mind body i am the life evolution and occultism forgotten cities on the indus contents tourism and pop culture fandom how to relax and

jenseits des himalaya tibetisches tagebuch teil 1 pdf - Jul 14 2023

web jenseits des himalaya tibetisches tagebuch teil 1 author murdo macdonald bayne publisher neobooks category general fiction released date 2014 07 30 language deutsch format epub pages 150 total downloads 37 total views 20 rating

jenseits des himalaya tibetisches tagebuch teil 1 2023 - Nov 06 2022

web 1 jenseits des himalaya tibetisches tagebuch teil 1 der rand und die mitte jan 13 2022 inhalt guntram hazod und andre gingrich der rand der mitte vorwort und einleitung christian jahoda bemerkungen zur tradition einer weiblichen schutzgottheit srung ma in tabo spiti tal

download jenseits des himalaya tibetisches tagebuch teil 1 pdf - Dec 27 2021

web analysen symbole 6301 6303 deutung inspirationen im tagebuch eines aufsässigen pdf online auf der suche nach dem gedächtnis die entstehung einer neuen wissenschaft des geistes pdf download auf posten berichte und erinnerungen aus 50 jahren deutscher aussenpolitik pdf kindle

jenseits des himalaya tibetisches tagebuch teil 1 pdf - Jun 01 2022

web jul 2 2023 jenseits des himalaya tibetisches tagebuch teil 1 pdf is available in our book collection an online access to it is set as public so you can download it instantly our books collection hosts in multiple locations allowing you to get the most less latency time to download any of our books like this one

pdf jenseits des himalaya tibetisches tagebuch teil 1 - Jan 08 2023

web jenseits des himalaya tibetisches tagebuch teil 1 zeitschrift der deutschen morgenländischen gesellschaft may 22 2021 monographs of the american ethnological society aug 13 2020 jenseits des himalaya jun 15 2023 der autor erzählt von seiner tibetreise im jahre 1936 wo er in verschiedenen klöstern in unterschiedlichen

jenseits des himalaya tibetisches tagebuch teil 1 ebook - Mar 10 2023

web tibetisches tagebuch teil 1 jenseits des himalaya murdo macdonald bayne neobooks des milliers de livres avec la livraison chez vous en 1 jour ou en magasin avec 5 de réduction jenseits des himalaya tibetisches tagebuch teil 1 ebook epub murdo macdonald bayne achat ebook fnac

jenseits des himalaya tibetisches tagebuch teil 1 ebook amazon de - Apr 11 2023

web jenseits des himalaya tibetisches tagebuch teil 1 ebook macdonald bayne murdo amazon de bücher

jenseits des himalaya tibetisches tagebuch teil 1 von - Jul 02 2022

web jenseits des himalaya tibetisches tagebuch teil 1 jenseits des himalaya tibetisches tagebuch teil 1 1 downloaded from donate pfi org on 2020 05 07 by guest jenseits des himalaya tibetisches tagebuch teil 1 as recognized adventure as with ease as experience nearly lesson amusement as without difficulty as concord can be gotten

jenseits des himalaya tibetisches tagebuch teil 1 2022 - Apr 30 2022

web jenseits des himalaya tibetisches tagebuch teil 1 is available in our digital library an online access to it is set as public so you can get it instantly our books collection hosts in multiple locations allowing you to get the most less latency time to download any of our books like this one

jenseits des himalaya tibetisches tagebuch teil 1 by murdo - Oct 05 2022

web jenseits des himalaya tibetisches tagebuch teil 1 murdo 13 14 gegevens per land facetten van het boeddhisme om pranava deinayurveda net volkshochschule mainz hg jahresprogramm 2012 13 2012 manaslu panorama die berge des himalaya freiraumhochzwei 2018 bol murdo macdonald bayne

jenseits des himalaya tibetisches tagebuch teil 1 pdf pdf - Aug 03 2022

web jenseits des himalaya tibetisches tagebuch teil 1 pdf jenseits des himalaya tibetisches tagebuch teil 1 pdf book review unveiling the magic of language in a digital era where connections and

[himalaya wege des buddhismus bhutan tibet amazon de](#) - Jan 28 2022

web 39 88 3 00 versandkosten verkauft von sapmi02 alle 4 bilder anzeigen himalaya wege des buddhismus bhutan tibet meditationen broschiert 18 september 2012 von matthieu ricard autor 7 sternbewertungen alle formate und editionen anzeigen

[jenseits des himalaya tibetisches tagebuch teil 1](#) - Mar 30 2022

web jenseits des himalaya tibetisches tagebuch teil 1 sieben jahre in tibet mein leben am hofe d dalai lama völlig neubearld n erw ausg der weg des großen abschieds die alpen tibets durch den himalaya nach tibet im herzen des himalaya Über den himalaja ins land der götter als einsiedler im himalaya himalaya tod in tibet sieben jahre in

jenseits des himalaya ebook v murdo macdonald bayne weltbild - Sep 04 2022

web jetzt bewerten leseprobe merken teilen der autor erzählt von seiner tibetreise im jahre 1936 wo er in verschiedenen klöstern in unterschiedlichen disziplinen geschult wird sein freund der alles über ihn weiß und ihn auf dieser resie begleitet macht ihn mit geshi rimpoche bekannt der ihn

hse forms incident reporting - Mar 03 2023

web this section lists hse s approved forms to be used when reporting work related accidents diseases dangerous occurrences and gas incidents report of an injury report of a dangerous

accident report form template - Nov 18 2021

web accident report form template basic form download this accident report form template design in word google docs pdf apple pages format easily editable printable downloadable when reporting incidents get your details right with this accident report form template available in a4 and us sizes

accident report form template jotform - Feb 02 2023

web whether you re a small business owner or a home owner collect the details of an accident or incident with our free accident report form template our easy to use form template lets you customize the form to fit your needs simply customize the form embed it on your website and start collecting responses

[how to write an incident report templates venngage](#) - Oct 30 2022

web jun 13 2023 how to write an incident report templates venngage this ultimate guide with templates explains what an incident report is the information to include in an incident report and how to format your report we use essential cookies to make venngage work

[incident report examples templates gocanvas](#) - Jan 01 2023

web mar 22 2021 by the gocanvas team on march 22 2021 knowing how to effectively file incident reports is a critical component for companies that want to cultivate their culture of safety at work incident reports are designed to document the important details surrounding an accident incident or near miss that happens in the workplace

[free incident report templates in google docs google sheets](#) - Jul 27 2022

web this customizable template ensures thorough and accurate documentation for a wide range of incidents easily attach supporting documentation such as photos videos or scanned documents to provide visual evidence or additional context for the incident this feature enhances the completeness and credibility of the incident report incident reports

[employee s report of injury form occupational safety and](#) - Nov 30 2022

web instructions employees shall use this form to report all work related injuries illnesses or near miss events which could have caused an injury or illness no matter how minor this helps us to identify and correct hazards before they cause serious injuries

[free incident report templates 18 sample pdf eforms](#) - Aug 08 2023

web jul 19 2023 incident report form use this form to report accidents injuries medical situations criminal activities traffic incidents or student behavior incidents if possible a report should be completed within 24 hours of the event date of report date i person involved full name name address address

free incident report templates forms smartsheet - Oct 10 2023

web jan 3 2017 in this article we ve gathered the best incident report templates to provide you with the most comprehensive listing so you can record and preserve key details of an accident injury workplace incident security breach or any other type of unforeseen event

free accident incident report form pdf word eforms - Jun 06 2023

web aug 4 2022 create document updated august 04 2022 an accident incident report is a form that asks for details about an accident that occurs in a vehicle school or workplace in order to properly document what took place details include the location and time of the accident and information about the individuals involved

accident report template safetymint - Apr 04 2023

web freely download professionally created accident incident report template you can download the template in microsoft

word pdf or excel spreadsheet formats no login required

free incident report form templates pdf safetyculture - Sep 09 2023

web oct 19 2023 download free template a workplace incident report is used to record any event in the organization that involves accident injuries or property damage use this template to document the type of incident that occurs in the workplace including near misses sentinel events adverse events and no harm events

accident report form template formstack - Apr 23 2022

web ensure this process is as painless as possible by documenting it with this form this ready to go accident report form template lets you quickly report details surrounding the incident and the date it took place custom notifications can be sent upon form submission view a full list of our form templates

free workplace accident report templates smartsheet - Jul 07 2023

web sep 19 2019 this incident report form template provides space to record all employees involved in the incident identification numbers of equipment involved incident event details and injury and first aid details download workplace incident report form template word pdf smartsheet

free accident report template download designs docs forms - Jan 21 2022

web sample employee medical incident report template accident claim government medical report form template first baptist church annual budget report template most of the official accident report forms will ask you to provide a description of the scene of the incident you must answer this information honestly as possible in case if there

incident report templates download print for free - Aug 28 2022

web incident report templates download print for free record incidents and improve safety procedures with our free incident report templates that include near miss reporting and employee injury reporting form variations get your incident report template leverage gps to improve incident tracking

real examples of incident reports at the workplace with templates - May 05 2023

web apr 12 2023 incident report form for general staff word pdf this general staff accident report form template can be used in a variety of workplaces it includes all the necessities to describe a workplace incident to ensure it is recorded correctly this general form is ideal for any business type

accident report templates free download safeti - Dec 20 2021

web oct 6 2023 choose free accident report templates to help keep an accurate record of accidents incidents in your workplace stay compliant and reduce liability for your business accident report form investigation reports includes 30 page expert investigation guide developed by chartered h s professionals secure checkout

free accident report form word template download template - Mar 23 2022

web free report form template dmv accident report form template sample accident report form template accident report form template injury incident report form template

free safety incident report template cognito forms - Sep 28 2022

web use our free safety incident report form template to allow your employees to report any health or safety accidents collect a thorough record of accident details including dates and times locations injuries etc then embed it on your website to make it easily accessible to employees

template safety fundamentals worksafe qld gov au - May 25 2022

web download word document injury at work procedure template doc 0 05 mb use this template procedure for explaining to workers what they should do if they get injured at work download word document how to make a claim report an incident find out more about the claim process view page

template safework whs toolkit - Jun 25 2022

web template safework whs toolkit reporting here you can find tools and templates to help improve health and safety in your business feedback use our feedback form to tell us what you think about this toolkit templates hazard incident report use a hazard incident report form to help your workers report health and safety hazards and

free accident report form template download in word - Feb 19 2022

web accident report form templates accidents are inevitable that s why it s crucial to make an accident report form download template net s free printable templates for your convenience

thermal engineer interview questions answers wisdom jobs - Jun 01 2022

web 250 thermal engineer interview questions and answers question1 define heat transfer question2 what are the modes of heat transfer question3 what is conduction question4 state fourier s law of conduction question5 define thermal conductivity *pdf thermal engineering i me8493 notes question papers* - Apr 30 2022

web dec 8 2022 thermal engineering i me8493 notes question papers syllabus december 8 2022 apr may 2023 exams notes qb material

thermal engineering online notes objective and interview questions - Aug 03 2022

web mechanical technical interview questions thermodynamics difference between impulse and reaction turbine steam power plant components diagram working construction and working of benson boilers air standard diesel cycle used for diesel engine constructions and working of lamont boiler application

6 thermal engineering interview questions with answers - Mar 10 2023

web mar 23 2023 in this article we outline six thermal engineering interview questions explain why employers ask them and provide a sample answer to each question to help you build better more compelling responses related different types of

engineering fields with definition find thermal engineer jobs

254 questions with answers in thermal engineering - Jan 08 2023

web jun 9 2023 1 2 3 serhii A palkov asked a question related to thermal engineering what are the advantages of the rotary engine wankel over a conventional piston engine when operating on steam

30 thermal engineer interview questions and answers - Jul 14 2023

web jun 6 2023 30 thermal engineer interview questions and answers common thermal engineer interview questions how to answer them and example answers from a certified career coach interviewprep career coach published jun 6 2023 in the world of engineering thermal engineers play a critical role in ensuring that various systems and

diploma thermal engineering 1 important questions and answers - Jan 28 2022

web december 7 2021 by kamesh diploma thermal engineering 1 important questions and answers dear friends we are adding diploma thermal engineering 1 important questions and answers 3 marks for all the units we added the diploma thermal engineering 1 important questions and answers in pdf format kindly share it with

pdf me8493 thermal engineering easyengineering networks - Feb 26 2022

web classification and comparison working principle work of compression with and without clearance volumetric efficiency isothermal efficiency and isentropic efficiency multistage air compressor with intercooling working principle and comparison of rotary compressors with reciprocating air compressors

problems and solutions in thermal engineering springer - Aug 15 2023

web jul 15 2023 this book presents the problem solution format and is a collection of over 225 multiple choice type questions and 40 practice exam questions with solutions problems and solutions in thermal engineering with multiple choice type questions

pdf me6404 thermal engineering te books lecture notes - Sep 04 2022

web classification and working principle of various types of compressors work of compression with and without clearance volumetric efficiency isothermal efficiency and isentropic efficiency of reciprocating compressors multistage air compressor and inter cooling work of multistage air compressor unit v refrigeration and air conditioning

thermal engineering me 2301 2 mark question and answers pdf - Jul 02 2022

web this file contains the part a question and answers for me 2301 thermal engineering of v semester b e mechanical curriculum copyright attribution non commercial by nc available formats download as pdf txt or read online from scribd flag for inappropriate content of 10 arpradeep tk 1 dhanalakshmi college of engineering

top 12 thermal engineering interview questions and answers - May 12 2023

web compilation of interview questions and answers on thermal engineering for engineering students 1 what is meant by

quasi static process in thermodynamics quasi means nearly or almost so quasi static process means nearly static process or nearly stationary process or a process which proceeds with extreme slowness

top 100 thermal engineer interview questions and answers - Dec 07 2022

web top 100 thermal engineer interview questions and answers question 1 define heat transfer answer heat switch can be defined because the transmission of power from one region to every other because of temperature distinction question 2 what are the modes of heat transfer answer conduction convection radiation

top 30 interview questions on thermal engineering engineering - Mar 30 2022

web interview question 1 define e engineering thermodynamics ans it is the science which analyses the problems related to the conversion of heat to work and vice versa and changes in properties of the working fluids involved in such a conversion [thermal engineering mcq multiple choice questions](#) - Feb 09 2023

web thermal engineering multiple choice questions highlights 1000 multiple choice questions answers mcqs in thermal engineering with a detailed explanation of every question these mcqs cover theoretical concepts true false t f statements fill in the blanks and match the following style statements

thermal engineering i me8493 anna university important questions - Dec 27 2021

web thermal engineering i me8493 important questions and answers question paper download online study material lecturing notes assignment reference wiki anna university mech

thermal engineer interview questions glassdoor - Oct 05 2022

web apr 14 2020 glassdoor has 187 interview questions and reports from thermal engineer interviews prepare for your interview get hired love your job

300 updated thermal engineer interview questions - Jun 13 2023

web 1 define heat transfer heat transfer can be defined as the transmission of energy from one region to another due to temperature difference 2 what are the modes of heat transfer conduction convection radiation project management interview questions 3 what is conduction

thermal engineering questions and answers sanfoundry - Nov 06 2022

web take adiabatic index equal to 1 4 a 353 40 m s b 321 56 m s c 360 87 m s d 400 32 m s view answer 11 air enters a frictionless adiabatic horizontal nozzle at 12 bar and 167 c with inlet velocity 50 m s and leaves at 3 bar take adiabatic index equal to 1 4 and c p 1 005 kj kg k

thermal engineering questions paper for diploma mech 2020 - Apr 11 2023

web apr 26 2020 in this article we test your study on thermal engineering with thermal engineering questions and answers let s take an overview of thermal engineering as you know that thermal engineering is a branch of science which deals with

the energies acquired by the gas and vapour the conversion of these energies into heat and