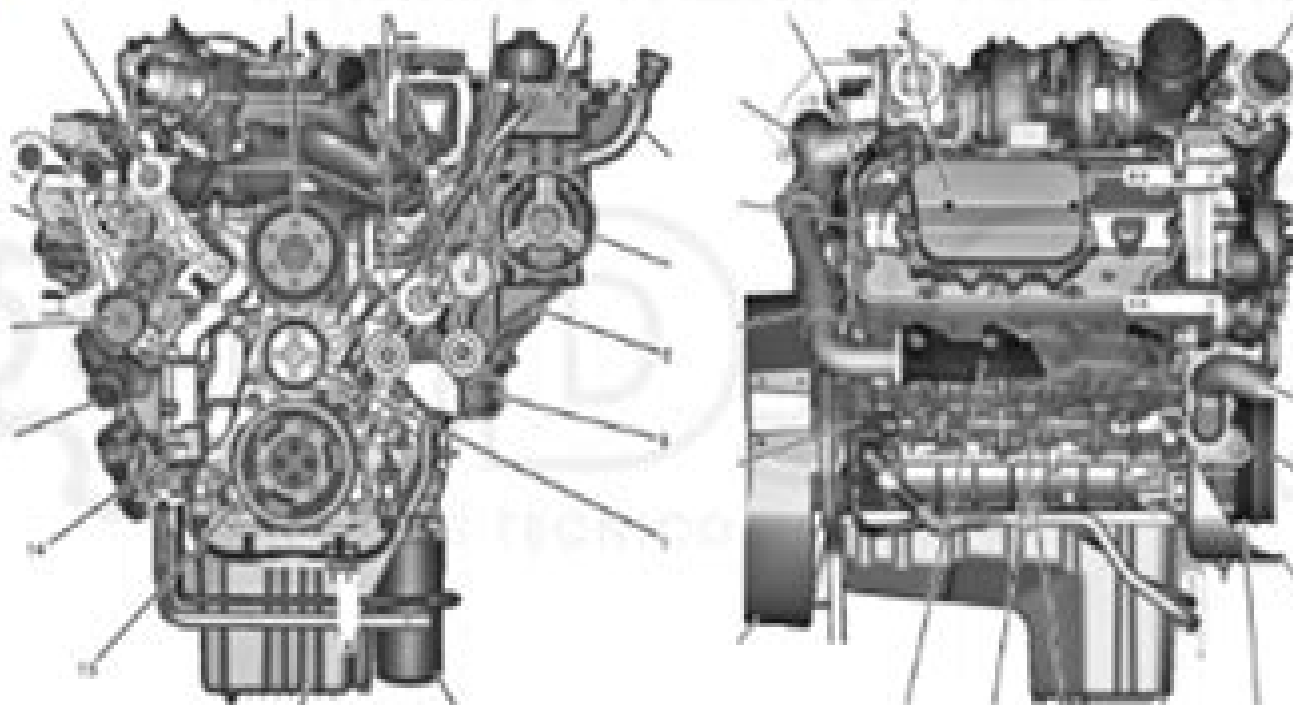


Repair and Service

INTERNATIONAL Maxxforce 7



V8 / Diesel / (6.4 L) // 2010



International Maxxforce Engine Repair Manual

JS Bruner



International Maxxforce Engine Repair Manual:

Enjoying the Beat of Term: An Mental Symphony within **International Maxxforce Engine Repair Manual**

In a world used by screens and the ceaseless chatter of fast conversation, the melodic splendor and emotional symphony created by the written word usually disappear into the background, eclipsed by the persistent sound and disruptions that permeate our lives. However, nestled within the pages of **International Maxxforce Engine Repair Manual** a wonderful literary prize overflowing with natural thoughts, lies an immersive symphony waiting to be embraced. Crafted by a masterful composer of language, this charming masterpiece conducts viewers on a mental journey, skillfully unraveling the concealed songs and profound impact resonating within each carefully crafted phrase. Within the depths of the moving assessment, we shall investigate the book is central harmonies, analyze its enthralling publishing fashion, and submit ourselves to the profound resonance that echoes in the depths of readers souls.

https://py.bijouxmedusa.com/files/scholarship/Download_PDFS/A%20Dictionary%20Of%20Computer%20Science%20Oxford%20Quick%20Reference.pdf

Table of Contents International Maxxforce Engine Repair Manual

1. Understanding the eBook International Maxxforce Engine Repair Manual
 - The Rise of Digital Reading International Maxxforce Engine Repair Manual
 - Advantages of eBooks Over Traditional Books
2. Identifying International Maxxforce Engine Repair Manual
 - Exploring Different Genres
 - Considering Fiction vs. Non-Fiction
 - Determining Your Reading Goals
3. Choosing the Right eBook Platform
 - Popular eBook Platforms
 - Features to Look for in an International Maxxforce Engine Repair Manual
 - User-Friendly Interface
4. Exploring eBook Recommendations from International Maxxforce Engine Repair Manual

- Personalized Recommendations
 - International Maxxforce Engine Repair Manual User Reviews and Ratings
 - International Maxxforce Engine Repair Manual and Bestseller Lists
5. Accessing International Maxxforce Engine Repair Manual Free and Paid eBooks
 - International Maxxforce Engine Repair Manual Public Domain eBooks
 - International Maxxforce Engine Repair Manual eBook Subscription Services
 - International Maxxforce Engine Repair Manual Budget-Friendly Options
 6. Navigating International Maxxforce Engine Repair Manual eBook Formats
 - ePub, PDF, MOBI, and More
 - International Maxxforce Engine Repair Manual Compatibility with Devices
 - International Maxxforce Engine Repair Manual Enhanced eBook Features
 7. Enhancing Your Reading Experience
 - Adjustable Fonts and Text Sizes of International Maxxforce Engine Repair Manual
 - Highlighting and Note-Taking International Maxxforce Engine Repair Manual
 - Interactive Elements International Maxxforce Engine Repair Manual
 8. Staying Engaged with International Maxxforce Engine Repair Manual
 - Joining Online Reading Communities
 - Participating in Virtual Book Clubs
 - Following Authors and Publishers International Maxxforce Engine Repair Manual
 9. Balancing eBooks and Physical Books International Maxxforce Engine Repair Manual
 - Benefits of a Digital Library
 - Creating a Diverse Reading Collection International Maxxforce Engine Repair Manual
 10. Overcoming Reading Challenges
 - Dealing with Digital Eye Strain
 - Minimizing Distractions
 - Managing Screen Time
 11. Cultivating a Reading Routine International Maxxforce Engine Repair Manual
 - Setting Reading Goals International Maxxforce Engine Repair Manual
 - Carving Out Dedicated Reading Time
 12. Sourcing Reliable Information of International Maxxforce Engine Repair Manual

- Fact-Checking eBook Content of International Maxxforce Engine Repair Manual
 - Distinguishing Credible Sources
13. Promoting Lifelong Learning
- Utilizing eBooks for Skill Development
 - Exploring Educational eBooks
14. Embracing eBook Trends
- Integration of Multimedia Elements
 - Interactive and Gamified eBooks

International Maxxforce Engine Repair Manual Introduction

In this digital age, the convenience of accessing information at our fingertips has become a necessity. Whether its research papers, eBooks, or user manuals, PDF files have become the preferred format for sharing and reading documents. However, the cost associated with purchasing PDF files can sometimes be a barrier for many individuals and organizations. Thankfully, there are numerous websites and platforms that allow users to download free PDF files legally. In this article, we will explore some of the best platforms to download free PDFs. One of the most popular platforms to download free PDF files is Project Gutenberg. This online library offers over 60,000 free eBooks that are in the public domain. From classic literature to historical documents, Project Gutenberg provides a wide range of PDF files that can be downloaded and enjoyed on various devices. The website is user-friendly and allows users to search for specific titles or browse through different categories. Another reliable platform for downloading International Maxxforce Engine Repair Manual free PDF files is Open Library. With its vast collection of over 1 million eBooks, Open Library has something for every reader. The website offers a seamless experience by providing options to borrow or download PDF files. Users simply need to create a free account to access this treasure trove of knowledge. Open Library also allows users to contribute by uploading and sharing their own PDF files, making it a collaborative platform for book enthusiasts. For those interested in academic resources, there are websites dedicated to providing free PDFs of research papers and scientific articles. One such website is Academia.edu, which allows researchers and scholars to share their work with a global audience. Users can download PDF files of research papers, theses, and dissertations covering a wide range of subjects. Academia.edu also provides a platform for discussions and networking within the academic community. When it comes to downloading International Maxxforce Engine Repair Manual free PDF files of magazines, brochures, and catalogs, Issuu is a popular choice. This digital publishing platform hosts a vast collection of publications from around the world. Users can search for specific titles or explore various categories and genres. Issuu offers a seamless reading experience with its user-friendly interface and allows users to download PDF files for

offline reading. Apart from dedicated platforms, search engines also play a crucial role in finding free PDF files. Google, for instance, has an advanced search feature that allows users to filter results by file type. By specifying the file type as "PDF," users can find websites that offer free PDF downloads on a specific topic. While downloading International Maxxforce Engine Repair Manual free PDF files is convenient, it's important to note that copyright laws must be respected. Always ensure that the PDF files you download are legally available for free. Many authors and publishers voluntarily provide free PDF versions of their work, but it's essential to be cautious and verify the authenticity of the source before downloading International Maxxforce Engine Repair Manual. In conclusion, the internet offers numerous platforms and websites that allow users to download free PDF files legally. Whether it's classic literature, research papers, or magazines, there is something for everyone. The platforms mentioned in this article, such as Project Gutenberg, Open Library, Academia.edu, and Issuu, provide access to a vast collection of PDF files. However, users should always be cautious and verify the legality of the source before downloading International Maxxforce Engine Repair Manual any PDF files. With these platforms, the world of PDF downloads is just a click away.

FAQs About International Maxxforce Engine Repair Manual Books

How do I know which eBook platform is the best for me? Finding the best eBook platform depends on your reading preferences and device compatibility. Research different platforms, read user reviews, and explore their features before making a choice. Are free eBooks of good quality? Yes, many reputable platforms offer high-quality free eBooks, including classics and public domain works. However, make sure to verify the source to ensure the eBook's credibility. Can I read eBooks without an eReader? Absolutely! Most eBook platforms offer web-based readers or mobile apps that allow you to read eBooks on your computer, tablet, or smartphone. How do I avoid digital eye strain while reading eBooks? To prevent digital eye strain, take regular breaks, adjust the font size and background color, and ensure proper lighting while reading eBooks. What's the advantage of interactive eBooks? Interactive eBooks incorporate multimedia elements, quizzes, and activities, enhancing the reader engagement and providing a more immersive learning experience. International Maxxforce Engine Repair Manual is one of the best books in our library for free trial. We provide a copy of International Maxxforce Engine Repair Manual in digital format, so the resources that you find are reliable. There are also many eBooks of related topics with International Maxxforce Engine Repair Manual. Where to download International Maxxforce Engine Repair Manual online for free? Are you looking for International Maxxforce Engine Repair Manual PDF? This is definitely going to save you time and cash in something you should think about. If you're trying to find then search around for online. Without a doubt, there are numerous of these available and many of them have the freedom. However, without a doubt, you receive whatever you purchase. An alternate

way to get ideas is always to check another International Maxxforce Engine Repair Manual. This method for see exactly what may be included and adopt these ideas to your book. This site will almost certainly help you save time and effort, money and stress. If you are looking for free books then you really should consider finding to assist you try this. Several of International Maxxforce Engine Repair Manual are for sale to free while some are payable. If you arent sure if the books you would like to download works with for usage along with your computer, it is possible to download free trials. The free guides make it easy for someone to free access online library for download books to your device. You can get free download on free trial for lots of books categories. Our library is the biggest of these that have literally hundreds of thousands of different products categories represented. You will also see that there are specific sites catered to different product types or categories, brands or niches related with International Maxxforce Engine Repair Manual. So depending on what exactly you are searching, you will be able to choose e books to suit your own need. Need to access completely for Campbell Biology Seventh Edition book? Access Ebook without any digging. And by having access to our ebook online or by storing it on your computer, you have convenient answers with International Maxxforce Engine Repair Manual To get started finding International Maxxforce Engine Repair Manual, you are right to find our website which has a comprehensive collection of books online. Our library is the biggest of these that have literally hundreds of thousands of different products represented. You will also see that there are specific sites catered to different categories or niches related with International Maxxforce Engine Repair Manual So depending on what exactly you are searching, you will be able to choose ebook to suit your own need. Thank you for reading International Maxxforce Engine Repair Manual. Maybe you have knowledge that, people have search numerous times for their favorite readings like this International Maxxforce Engine Repair Manual, but end up in harmful downloads. Rather than reading a good book with a cup of coffee in the afternoon, instead they juggled with some harmful bugs inside their laptop. International Maxxforce Engine Repair Manual is available in our book collection an online access to it is set as public so you can download it instantly. Our digital library spans in multiple locations, allowing you to get the most less latency time to download any of our books like this one. Merely said, International Maxxforce Engine Repair Manual is universally compatible with any devices to read.

Find International Maxxforce Engine Repair Manual :

[a dictionary of computer science oxford quick reference](#)

a kingdom lost for a drop of honey and other burmese folktales

[a roadmap for us robotics from internet to robotics](#)

8848126502 bfr28

a theory of cooperation competition and beyond morton

~~9001-gap analysis template excel~~

a smile in the mind witty thinking in graphic design

a grammar of contemporary english london longman

a conspiracy of paper benjamin weaver 1 david liss

~~a course in phonetics~~

a dilli mumbai story when love won over terror abhimanyu jha

~~a report for the government construction client group~~

a guide to service desk concepts third edition

~~8820357062 it8~~

a designers research manual succeed in design by knowing your clients and what they really need design field guide

International Maxxforce Engine Repair Manual :

viwango vya mshahara wa walimu 2023 2024 unifornumtz - Jul 14 2023

web jan 7 2004 viwango vya mshahara wa walimu 2023 2024 to read full full viwango vipya vya mishahara 2023 or salary scale in all sectors in tanzania please download or view official pdf file through the link below

viwango vya mishahara serikalini 2022 2023 ujuzi tz - Aug 03 2022

web aug 17 2023 viwango vya mishahara serikalini wafanyakazi wa kada ya wakaguzi katika ofisi ya taifa ya ukaguzi wa hesabu za serikali sais sais a sais a 1 sh 249 000 sais a 2 sh 255 600 sais a 3 sh 262 200 sais a 4 sh 268 800 sais a 5 sh 275 400 sais a 6 sh 282 000 sais a 7 sh 288 600 na sais a 8 sh

mishahara mipya ya walimu jamiiforums - Jun 01 2022

web apr 16 2013 mishahara mipya ya walimu thread starter nyamlanzi start date apr 16 2013 1 2 next 1 of 2 go to page go next last n nyamlanzi member feb 16 2013 na hakuna rangi mtaacha ona hapa tanzania mtakula vumbi la chaki mpaka yesu arudi wenzenu wahasibu wachumi na wanasheria wanakula maisha kwenye ofisi zenye

viwango vya mishahara kwa walimu ualimu ni mateso - Apr 11 2023

web nov 23 2021 viwango vya mshahara wa walimu 2021 2022 teachers salary scale range new government salary scales approved tgts b1 419 000 and tgts c1 530 000 tgts d1 716 000 and tgts e1 940 000 tgts f1 1 235 000 and tgts g1 1 600 000 tgts h1 2 091 000 and tgts i 2 810 000 b1 basic

ngazi za mishahara ya walimu secure4 khronos - Feb 26 2022

web may 22 2023 ya mishahara yatahusu watumishi wa serikali kuu na watumishi wa serikali za mitaa ngazi za mishahara serikalini tanzania jedwali kwa ajili ya kukokotoa kima mfananisho cha mishahara jedwali la sheria kwa ajili ya kuweka

masharti ya haki za msingi ya kazi kuweka vigezo vya msingi vya pamoja na wale wa utumishi wa umma wa
ngazi za mishahara ya walimu secure4 khronos - Apr 30 2022

web jun 24 2023 walimu wengi wa shule za msingi ambao mishahara yao si zaidi ya laki mbili za tanzania wamejikuta wakikatwa sehemu kubwa ya mishahara yao hiyo ndani ya kipindi hiki cha miezi miwili kwa mfano walimu wa shule ya msingi mtemani wingwi msingi a na b ni waathirika

viwango vipya vya mishahara 2023 new salary scale range - Aug 15 2023

web jun 8 2023 viwango vipya vya mishahara 2023 download pdf file new salary scale range viwango vya mishahara serikalini 2022 the public service commission of tanzania is an independent department in the president s office established under section 9 1 of the public service act no 8 of 2002

mishahara mipya sekta binafsi bado kitendawili mwananchi - Jan 08 2023

web jul 29 2013 sekta binafsi hata hivyo wafanyakazi wa sekta hiyo waliohojiwa walisema hawaoni dalili za kupokea mishahara mpya mwezi huu huku wengine wakikiri kuendelea kupokea mishahara ya zamani

mshahara mpya wa walimu serikalini jamiiforums - May 12 2023

web jul 18 2013 kuna baadhi ya walimu wameshapata barua za kupandishwa madaraja ila sasa hapa ndipo kwenye utata wale ambao walikuwa wanapata mapunjo hawajatumiwa barua lakini kwa wale waliobahatika kupata mshahara kamili ndio walioretewa barua

ngazi za mishahara ya walimu secure4 khronos - Mar 30 2022

web jun 3 2023 walimu mwanahalisi online smz wema na wizi wa mishahara ya walimu pemba serikali yatangaza ajira mpya za walimu swahili times tanzania kwanza mishahara ya watumishi wa umma sasa mishahara mipya kwa watumishi wa umma jamiiforums rais magufuli aja na mishahara mipya minono

tofauti ya mishahara ya walimu tanzania na kenya jamiiforums - Sep 04 2022

web apr 30 2019 tanzania b1 basic tsh 419000 ksh 18429 cwt 8390 pension 20950 income 46090 insur 12570 take home tsh331000 ksh 14559 c1 tsh530000 ksh 23312 cwt forums new posts search forums new posts new posts latest activity members current visitors verified members log in register

mishahara mipya ya walimu tanzania japanalert bananacoding - Dec 27 2021

web kamusi ya tashbihi vitendawili milio na mishangao majadiliano ya bunge hansard taarifa rasmi questions of life mishahara mipya ya walimu tanzania downloaded from japanalert bananacoding com by guest gates doyle bantu linguistic terminology university press of amer

[kazi zinazolipa mshahara mkubwa kuanzia mwanzo bbc](#) - Dec 07 2022

web dec 27 2022 getty images 27 disemba 2022 je wajua baadhi ya wahitimu wapya wanaanza taaluma zao kwa mishahara

ambayo wafanyikazi wengi hawatawahi kufikia katika taaluma zao davis nguyen anawasaidia

ngazi za mishahara serikalini tanzania tgs phts pss - Nov 06 2022

web jan 18 2010 viwango vipya vya mishahara kuanzia julai 2014 tgos a tgos a 1 sh240 000 tgos a 2 sh245 600 tgos a 3 sh251 200 tgos a 4 sh256 800 tgos a 5 sh262 400 tgos a 6 sh268 000 tgos a 7

mishahara mipya ya walimu 2015 2016 jamiiforums - Jul 02 2022

web jul 17 2015 mishahara mipya ya walimu 2015 16 wapi tanzania drc rwanda kenya ug mtoa mada hajatuweka wazi huenda tukajadili kumbe nchi nyingine

mishahara mipya kwa walimu na kada ya afya jamiiforums - Feb 09 2023

web jun 26 2022 1 tupoze moyo baada ya kutukanwa sana hapa viwango vipya mishahara serikalini 2022 2023 filed in articles by ajira on may 14 2022 new government salary scales for approved viwango vipya mishahara serikalini 2022 2023 walimu afya this salary scales start from july 2022

viwango vipya mishahara serikalini 2023 2024 ajira today tanzania - Jun 13 2023

web apr 30 2023 new government salary scales for approved viwango vipya mishahara serikalini 2023 2024 walimu afya this salary scales start from july 2022 viwango vya mishahara ya walimu teachers salary scale range tgts b1 479 000 tgts c1 590 000 tgts d1 771 000 tgts e1 990 000 tgts f1 1 280 000 tgts

viwango vipya vya mishahara sekta binafsi 2022 jinsi ya online - Mar 10 2023

web dec 29 2022 viwango vipya vya mishahara sekta binafsi 2022 new private sector salary rates 2022 viwango vipya vya mishahara sekta binafsi 2022 after nine years with no increases in the minimum wages rate the tanzania government has recently announced new salary levels that will be applied for private sector workers

mishahara mipya ya walimu tanzania - Jan 28 2022

web mishahara mipya ya walimu tanzania getting the books mishahara mipya ya walimu tanzania now is not type of inspiring means you could not solitary going later than books amassing or library or borrowing from your connections to door them this is an no question easy means to specifically acquire guide by on line this online message

mishahara jamiiforums - Oct 05 2022

web sep 6 2023 nianze kwa kuipongeza serikali ya jamuhuri ya muungano wa tanzania kwa kuliona hili hapo awali mishahara ya walimu ilikuwa flat rate sawa haikujalisha mwalimu amesoma masomo gani kwa kifupi walimu wa sayansi na sanaa arts walilipwa mishahara sawa

manuelle therapie beim hund das konzept ab 16 99 - Feb 28 2022

web manuelle therapie beim hund das harrer konzept ff feb 11 2021 akzeptanz und commitment in der inklusiven lehrerausbildung jul 31 2022 simone pülschen erläutert

manuelle therapie beim hund das hárrer konzept amazon de - Oct 19 2023

web manuelle therapie beim hund das hárrer konzept 89 99 dieser artikel erscheint am 22 mai 2024 dieses buch führt sie systematisch praxisbezogen und reich bebildet in die manuelle therapie beim hund ein es beantwortet ihnen wichtige fragen wie diese

manuelle therapie beim hund von sabine hárrer ebook thalia - Mar 12 2023

web Über 2 000 000 ebooks bei thalia manuelle therapie beim hund von sabine hárrer weitere ebooks online kaufen direkt downloaden

manuelle therapie beim hund das harrer konzept pdf - Jan 30 2022

web dieses buch führt sie systematisch praxisbezogen und reich bebildet in die manuelle therapie beim hund ein es beantwortet ihnen wichtige fragen wie diese wie erkenne

9783132196810 manuelle therapie beim hund das hárrer - Dec 09 2022

web dieses buch führt sie systematisch praxisbezogen und reich bebildet in die manuelle therapie beim hund ein es beantwortet ihnen wichtige fragen wie diese wie erkenne

manuelle therapie beim hund preamble - Apr 13 2023

web manuelle therapie beim hund das hárrer konzept bearbeitet von von sabine hárrer 1 auflage 2017 buch 313 s gebunden isbn 978 3 13 219681 0 format b x l 20 2 x

manuelle therapie beim hund toc - Jul 04 2022

web manuelle therapie beim hund das hárrer konzept bearbeitet von von sabine hárrer 1 auflage 2017 buch 313 s gebunden isbn 978 3 13 219681 0 format b x l 20 2 x

manuelle therapie beim hund das hárrer konzept kindle - Jul 16 2023

web 81 99 lies mit kostenfreier app gebundenes buch dieses buch führt sie systematisch praxisbezogen und reich bebildet in die manuelle therapie beim hund

suchergebnis auf amazon de für manuelle therapie hund - Sep 06 2022

web manuelle therapie beim hund von sabine hárrer isbn 978 3 13 219671 1 online kaufen sofort download lehmanns de

manuelle therapie beim hund das hárrer konzept amazon de - Aug 17 2023

web manuelle therapie beim hund das hárrer konzept gebundene ausgabe 2 august 2023 von sabine hárrer autor alle formate und editionen anzeigen gebundenes buch

manuelle therapie beim hund 9783132196711 thieme webshop - Dec 29 2021

manuelle therapie beim hund 9783132454309 thieme webshop - May 14 2023

web dieses buch führt sie systematisch praxisbezogen und reich bebildert in die manuelle therapie beim hund ein wie erkennen sie ob das gelenk oder die anliegenden

9783132196612 manuelle therapie beim hund das hárrer - Oct 07 2022

web neurologische erkrankungen beim hund erfolgreich mit physiotherapie behandeln das behandlungskonzept tymal therapy made adapted for life von traute schmidt und

manuelle therapie beim hund ebook lehmanns de - Nov 08 2022

web manuelle therapie beim hund das hárrer konzept finden sie alle bücher von hárrer sabine bei der büchersuchmaschine eurobuch com können sie antiquarische und

manuelle therapie beim hund 9783132454293 thieme webshop - Sep 18 2023

web dieses buch führt sie systematisch praxisbezogen und reich bebildert in die manuelle therapie beim hund ein wie erkennen sie ob das gelenk oder die anliegenden

manuelle therapie beim hund naturmed - Jan 10 2023

web manuelle therapie beim hund das hárrer konzept das hárrer konzept cmt finden sie alle bücher von hárrer sabine bei der büchersuchmaschine eurobuch com können

manuelle therapie beim hund das hárrer konzept fnac - May 02 2022

web so sitzt jeder griff dieses buch führt sie systematisch praxisbezogen und reich bebildert in die manuelle therapie beim hund ein wie erkennen sie ob das gelenk oder die

manuelle therapie beim hund von sabine hárrer buch thalia - Feb 11 2023

web dieses buch führt sie systematisch praxisbezogen und reich bebildert in die manuelle therapie beim hund ein wie erkennen sie ob das gelenk oder die anliegenden

manuelle therapie beim hund ebook lehmanns de - Aug 05 2022

web manuelle therapie beim hund das hárrer konzept bearbeitet von von sabine hárrer 1 auflage 2017 buch 313 s gebunden isbn 978 3 13 219681 0 format b x l 20 2 x

manuelle therapie beim hund das buch heusenstamm - Apr 01 2022

web manuelle therapie beim hund sabine hárrer 2018 isbn 9783132196810 manuelle therapie beim hund das hárrer konzept gebundene ausgabe von sabine

manuelle therapie beim hund das hárrer konzept goodreads - Jun 15 2023

web oct 25 2017 manuelle therapie beim hund das hárrer konzept sabine hárrer 0 00 0 ratings0 reviews dieses buch führt sie systematisch praxisbezogen und reich bebildert

manuelle therapie beim hund readingsample net framework - Jun 03 2022

web das hárrer konzept manuelle therapie beim hund sabine hárrer sonntag j des milliers de livres avec la livraison chez vous en 1 jour ou en magasin avec 5 de

head start translation in arabic bab la - Mar 30 2022

web translation for head start in the free english arabic dictionary and many other arabic translations bab la online dictionaries vocabulary conjugation grammar share we gave them a head start in the beginning and it proved hard to come back from that synonyms english for head start head start english

headstart beginner cd audio free download copy avenza - Jul 02 2022

web aug 29 2022 point to download and install the headstart beginner cd audio free download it is categorically simple then past currently we extend the partner to buy and create bargains to download and install headstart

headstart beginner cd audio free download copy uniport edu - Oct 05 2022

web apr 14 2023 headstart beginner cd audio free download 1 9 downloaded from uniport edu ng on april 14 2023 by guest headstart beginner cd audio free download getting the books headstart beginner cd audio free download now is not type of challenging means you could not isolated going like books increase or library or

download new headway beginner student s book cd1 audio - Feb 09 2023

web apr 22 2015 new headway beginner with built in audio liz and john soars oxford university press 2002 144 p format quality pdf good quality with built in sound and bookmarks the world s most trusted english course new headway is the course teachers and learners can rely on why

headstartbeginnercdaudiofreedownload download only - Jun 01 2022

web let s go 1 3 e student book cd rom 1 beautiful beginnings absolute beginners voice windows 10 the missing manual the etude music magazine beginner s hungarian with 2 audio cds teach yourself java for macintosh in 21 days the art of racing in the rain the bad house level 5 funds of knowledge first dutch reader for beginners

headstart beginner student s book pdf free download - Apr 11 2023

web headstart beginner student s book home headstart beginner student s book author briony beaven with liz soars john soars 1185 downloads 9026 views 3mb size report this content was uploaded by our users and we assume good faith they have the permission to share this book if you own the copyright to this book and it is wrongfully on

download headway beginner student s book audio audio - Aug 15 2023

web mar 16 2019 headway beginner student s book audio rar file size 162 51 mb contains audio document s added by daisymargaret

huyhuu team huyhuu com headstart beginner class audio cds - Jul 14 2023

web headstart beginner workbook headstart beginner teacher book headstart beginner class audio cds headstart beginner

student book headstart and headway elementary tests applied e learning and e teaching in higher education a handbook for teaching and learning in higher edu a handbook for teaching and learning in higher edu a

headstart beginner cd audio free download pdf uniport edu - Nov 06 2022

web this headstart beginner cd audio free download but end up in infectious downloads rather than enjoying a good book with a cup of tea in the afternoon instead they cope with some infectious virus inside their computer headstart beginner cd audio free download is available in our digital library an online access to it is set as public so you

headstart beginner cd audio pdf free download - Jan 08 2023

web it s free to register here to get headstart beginner cd audio book file pdf file headstart beginner cd audio book free download pdf at our ebook library this book have some digitalformats such us kindle epub ebook paperback and another formats

where to download headstart beginner cd audio free pdf file free - Apr 30 2022

web jul 17 2023 documents of this headstart beginner cd audio free by online you might not require more get older to spend to go to the book establishment as with ease as search for them

headstart beginner cd audio graphscan cookiefirst - Aug 03 2022

web jun 8 2023 addition to an audio cd with a recording of the headstart beginner cd pdf free download here music and movement ideas early learning activities this audio cd fulfils an often repeated student request read and download headstart beginner cd audio free download free ebooks in pdf format ayn

headstart beginner cd audio free download book - Sep 04 2022

web headstart beginner cd audio free download and numerous books collections from fictions to scientific research in any way accompanied by them is this headstart beginner cd audio free download that can be your partner headway advanced liz soars 2019 01 10 trusted worldwide inspired by you updated with new texts topics and themes

had a head start idioms by the free dictionary - Dec 27 2021

web 1 to have an advantage by beginning a competition especially a race before the official start time for the other competitors officials ruled that the runner had a head start because his feet left their mark two seconds before the starting gun had fired

audio and video downloads headway student s site oxford - Mar 10 2023

web audio and video downloads download audio and video resources to help you study better with headway

headstart beginner student s book google books - Dec 07 2022

web □□□ 1995 foreign language study 80 pages headstart is a short zero beginner s course and a foundation course for the headway series headway by john and liz soars is a multi level course for adults and young adults

head start song download from easy listening lounge - Jan 28 2022

web swf orchestra listen to head start online head start is an english language song and is sung by eugen cicero dieter reith and swf orchestra head start from the album easy listening lounge was released in the year 1997 the duration of the song is 2:54 download english songs online from jiosaavn

headstart beginner class audio cds for homework huyhuu com - Jun 13 2023

web the audio cassette is vital and unlike the dreaded listening activities of the later books it is not all intimidating for students this material for vip membership only please sign up or login to unlimit any download

audio and video downloads headway student s site oxford - May 12 2023

web audio and video downloads download audio and video resources to help you study better with headway

head start definition of head start by the free dictionary - Feb 26 2022

web head start n an initial advantage in a competitive situation originally referring to a horse s having its head in front of others at the start of a race collins english dictionary complete and unabridged 12th edition 2014 harpercollins publishers 1991 1994 1998 2000 2003 2006 2007 2009 2011 2014