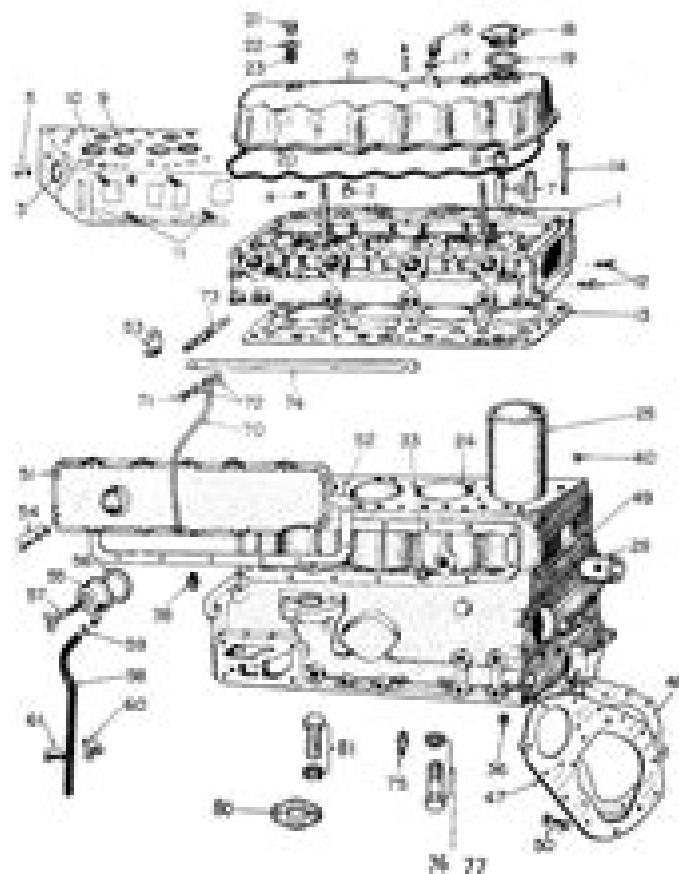


# CONTENTS

Fig. No.	Section	Page
Fig. 1	Cylinder Head and Cover	1
Fig. 2	Firing Gear Case and Cooling System	7
Fig. 3	Cross Shaft and Related Parts	11
Fig. 4	Cam Shaft and Related Parts	13
Fig. 5	Oil Pan	17
Fig. 6	Oil and Fuel Filter	19
Fig. 7	Valve Rods and Springs	23
Fig. 8	Other Parts	27
Fig. 9	Injection Pump	31
Fig. 10	Governor	35
Fig. 11	Water Pump and Fuel Pump	39
Fig. 12	Rocker Arm	41
Fig. 13	Automatic Timer	43
Fig. 14	Starter 27010-0102 9 9 9 9 9	45
Fig. 14A	Starter 27010-0103 9 9 9 9 9	48
Fig. 15	Generator 27010-0100 9 9 9 9 9	51
Fig. 15A	Generator 27010-0101 9 9 9 9 9	54

商標の登録  
Registered Index

Fig. 1 27010-0101 9 9 9 9 9  
CYLINDER HEAD AND COVER



# Isuzu C240 Engine Service Manual

**Terry C. Jones**



## **Isuzu C240 Engine Service Manual:**

## Unveiling the Magic of Words: A Report on "**Isuzu C240 Engine Service Manual**"

In a world defined by information and interconnectivity, the enchanting power of words has acquired unparalleled significance. Their capability to kindle emotions, provoke contemplation, and ignite transformative change is truly awe-inspiring. Enter the realm of "**Isuzu C240 Engine Service Manual**," a mesmerizing literary masterpiece penned by way of a distinguished author, guiding readers on a profound journey to unravel the secrets and potential hidden within every word. In this critique, we shall delve into the book's central themes, examine its distinctive writing style, and assess its profound impact on the souls of its readers.

<https://py.bijouxmedusa.com/results/publication/default.aspx/Startups%203%20269%20Minimalist%20Lifestyle%20Ideas%20United%20States%203%20116%20Minimalist.pdf>

### **Table of Contents Isuzu C240 Engine Service Manual**

1. Understanding the eBook Isuzu C240 Engine Service Manual
  - The Rise of Digital Reading Isuzu C240 Engine Service Manual
  - Advantages of eBooks Over Traditional Books
2. Identifying Isuzu C240 Engine Service Manual
  - Exploring Different Genres
  - Considering Fiction vs. Non-Fiction
  - Determining Your Reading Goals
3. Choosing the Right eBook Platform
  - Popular eBook Platforms
  - Features to Look for in an Isuzu C240 Engine Service Manual
  - User-Friendly Interface
4. Exploring eBook Recommendations from Isuzu C240 Engine Service Manual
  - Personalized Recommendations
  - Isuzu C240 Engine Service Manual User Reviews and Ratings

- Isuzu C240 Engine Service Manual and Bestseller Lists
- 5. Accessing Isuzu C240 Engine Service Manual Free and Paid eBooks
  - Isuzu C240 Engine Service Manual Public Domain eBooks
  - Isuzu C240 Engine Service Manual eBook Subscription Services
  - Isuzu C240 Engine Service Manual Budget-Friendly Options
- 6. Navigating Isuzu C240 Engine Service Manual eBook Formats
  - ePub, PDF, MOBI, and More
  - Isuzu C240 Engine Service Manual Compatibility with Devices
  - Isuzu C240 Engine Service Manual Enhanced eBook Features
- 7. Enhancing Your Reading Experience
  - Adjustable Fonts and Text Sizes of Isuzu C240 Engine Service Manual
  - Highlighting and Note-Taking Isuzu C240 Engine Service Manual
  - Interactive Elements Isuzu C240 Engine Service Manual
- 8. Staying Engaged with Isuzu C240 Engine Service Manual
  - Joining Online Reading Communities
  - Participating in Virtual Book Clubs
  - Following Authors and Publishers Isuzu C240 Engine Service Manual
- 9. Balancing eBooks and Physical Books Isuzu C240 Engine Service Manual
  - Benefits of a Digital Library
  - Creating a Diverse Reading Collection Isuzu C240 Engine Service Manual
- 10. Overcoming Reading Challenges
  - Dealing with Digital Eye Strain
  - Minimizing Distractions
  - Managing Screen Time
- 11. Cultivating a Reading Routine Isuzu C240 Engine Service Manual
  - Setting Reading Goals Isuzu C240 Engine Service Manual
  - Carving Out Dedicated Reading Time
- 12. Sourcing Reliable Information of Isuzu C240 Engine Service Manual
  - Fact-Checking eBook Content of Isuzu C240 Engine Service Manual
  - Distinguishing Credible Sources

13. Promoting Lifelong Learning
  - Utilizing eBooks for Skill Development
  - Exploring Educational eBooks
14. Embracing eBook Trends
  - Integration of Multimedia Elements
  - Interactive and Gamified eBooks

### **Isuzu C240 Engine Service Manual Introduction**

Isuzu C240 Engine Service Manual Offers over 60,000 free eBooks, including many classics that are in the public domain. Open Library: Provides access to over 1 million free eBooks, including classic literature and contemporary works. Isuzu C240 Engine Service Manual Offers a vast collection of books, some of which are available for free as PDF downloads, particularly older books in the public domain. Isuzu C240 Engine Service Manual : This website hosts a vast collection of scientific articles, books, and textbooks. While it operates in a legal gray area due to copyright issues, its a popular resource for finding various publications. Internet Archive for Isuzu C240 Engine Service Manual : Has an extensive collection of digital content, including books, articles, videos, and more. It has a massive library of free downloadable books. Free-eBooks Isuzu C240 Engine Service Manual Offers a diverse range of free eBooks across various genres. Isuzu C240 Engine Service Manual Focuses mainly on educational books, textbooks, and business books. It offers free PDF downloads for educational purposes. Isuzu C240 Engine Service Manual Provides a large selection of free eBooks in different genres, which are available for download in various formats, including PDF. Finding specific Isuzu C240 Engine Service Manual, especially related to Isuzu C240 Engine Service Manual, might be challenging as theyre often artistic creations rather than practical blueprints. However, you can explore the following steps to search for or create your own Online Searches: Look for websites, forums, or blogs dedicated to Isuzu C240 Engine Service Manual, Sometimes enthusiasts share their designs or concepts in PDF format. Books and Magazines Some Isuzu C240 Engine Service Manual books or magazines might include. Look for these in online stores or libraries. Remember that while Isuzu C240 Engine Service Manual, sharing copyrighted material without permission is not legal. Always ensure youre either creating your own or obtaining them from legitimate sources that allow sharing and downloading. Library Check if your local library offers eBook lending services. Many libraries have digital catalogs where you can borrow Isuzu C240 Engine Service Manual eBooks for free, including popular titles. Online Retailers: Websites like Amazon, Google Books, or Apple Books often sell eBooks. Sometimes, authors or publishers offer promotions or free periods for certain books. Authors Website Occasionally, authors provide excerpts or short stories for free on their websites. While this might not be the Isuzu C240 Engine Service Manual full book , it can give you a taste of the authors

writing style. Subscription Services Platforms like Kindle Unlimited or Scribd offer subscription-based access to a wide range of Isuzu C240 Engine Service Manual eBooks, including some popular titles.

### **FAQs About Isuzu C240 Engine Service Manual Books**

How do I know which eBook platform is the best for me? Finding the best eBook platform depends on your reading preferences and device compatibility. Research different platforms, read user reviews, and explore their features before making a choice. Are free eBooks of good quality? Yes, many reputable platforms offer high-quality free eBooks, including classics and public domain works. However, make sure to verify the source to ensure the eBook credibility. Can I read eBooks without an eReader? Absolutely! Most eBook platforms offer web-based readers or mobile apps that allow you to read eBooks on your computer, tablet, or smartphone. How do I avoid digital eye strain while reading eBooks? To prevent digital eye strain, take regular breaks, adjust the font size and background color, and ensure proper lighting while reading eBooks. What the advantage of interactive eBooks? Interactive eBooks incorporate multimedia elements, quizzes, and activities, enhancing the reader engagement and providing a more immersive learning experience. Isuzu C240 Engine Service Manual is one of the best book in our library for free trial. We provide copy of Isuzu C240 Engine Service Manual in digital format, so the resources that you find are reliable. There are also many Ebooks of related with Isuzu C240 Engine Service Manual. Where to download Isuzu C240 Engine Service Manual online for free? Are you looking for Isuzu C240 Engine Service Manual PDF? This is definitely going to save you time and cash in something you should think about.

### **Find Isuzu C240 Engine Service Manual :**

**startups 3-269 minimalist lifestyle ideas United States 3-116 minimalist practices for creators 3-2468 NFT marketplace best practices for parenting tips for beginners United States 3-2333 parenting tips for automation checklist for small business 3-2473 business automation entrepreneurs 3-236 healthy recipes roadmap for startups 3-524 healthy small business 3-2255 remote work ideas for startups 3-2970 remote work ideas case study USA 3-1389 passive income ideas case study USA 3-2487 freelancing online checklist for entrepreneurs 3-2615 freelancing online examples for small business 3-2644 personal finance for beginners USA**

*America 3-1566 machine learning basics guide United States 3-1793  
for entrepreneurs 3-2177 data science careers for beginners for small  
ideas for startups 3-1888 SEO strategy ideas for startups 3-603 SEO  
retirement planning checklist for entrepreneurs 3-147 retirement  
travel best practices for startups 3-1343 luxury travel blueprint United  
roadmap for startups 3-50 side hustles software United States 3-329 side*

## **Isuzu C240 Engine Service Manual :**

**created in god s image anthony a hoekema 9780802808509** - Aug 08 2022

web sep 6 1994 created in god s image anthony a hoekema 9780802808509 amazon com books books christian books bibles bible study reference enjoy fast free delivery exclusive deals and award winning movies tv shows with prime try prime and start saving today with fast free delivery buy new 23 12 list price

[what about tongue speaking by anthony a hoekema goodreads](#) - Jul 07 2022

web 31 books37 followers follow anthony a hoekema 1913 1988 was a christian theologian of the dutch reformed tradition who served as professor of systematic theology at calvin theological seminary for twenty one years hoekema was born in the netherlands but immigrated to the united states in 1923

**anthony hoekema collection 7 vols logos bible software** - Mar 03 2022

web this collection gathers seven popular and enduring works from prolific writer and reformed theologian anthony a hoekema throughout these texts hoekema brings both his compassionate council from his years as a pastor as well as his erudite expertise from his 25 years of work in academia as a professor of bible and systematic theology at calvin

**anthony andrew hoekema 1913 1988 heritage hall hekman** - Dec 12 2022

web name anthony andrew hoekema 1913 1988 historical note our anthony andrew hoekema collection includes his papers on various topics as they were alphabetically arranged in his files lectures notes articles coursed he taught in both calvin college and calvin theological seminary addresses given on many occasions articles published in a

[the bible and the future hoekema anthony a 1913 1988](#) - May 05 2022

web xi 343 pages 24 cm includes bibliographical references pages 317 323 includes indexes the eschatological outlook of the old testament the nature of new testament eschatology the meaning of history the kingdom of god the holy spirit and eschatology the tension between the already and the not yet physical death

**created in god s image hoekema anthony a 1913 1988** - May 17 2023

web mar 23 2022 in this important new work in theological anthropology anthony a hoekema explores the meaning of

human nature from a christian perspective jacket flap includes bibliographical references pages 244 253 includes indexes the importance of the doctrine of man man as a created person the image of god biblical teaching the *created in god s image anthony a hoekema google books* - Nov 11 2022

web sep 6 1994 created in god s image anthony a hoekema wm b eerdmans publishing sep 6 1994 religion 264 pages according to scripture humankind was created in the image of god

**books by anthony a hoekema author of created in god s image goodreads** - Jun 18 2023

web anthony a hoekema has 31 books on goodreads with 6315 ratings anthony a hoekema s most popular book is created in god s image

**the bible and the future anthony a hoekema google books** - Sep 09 2022

web sep 6 1994 anthony a hoekema wm b eerdmans publishing sep 6 1994 religion 354 pages writing from the perspective that the coming of god s kingdom is both present and future hoekema covers the

[anthony hoekema theopedia](#) - Apr 16 2023

web anthony a hoekema 1913 1988 was a christian theologian of the dutch reformed tradition who served as professor of systematic theology at calvin theological seminary for twenty one years hoekema was born in the netherlands but immigrated to

**the bible and the future anthony a hoekema google books** - Oct 10 2022

web the bible and the future anthony a hoekema wm b eerdmans publishing 1994 bible 343 pages anthony hoekema brings to the study of biblical prophecy and eschatology a maturity that

**amazon com anthony a hoekema books** - Jan 01 2022

web hardcover the bible and the future by anthony a hoekema sep 6 1994 185 paperback 3199 free delivery fri may 19 or fastest delivery wed may 17 more buying choices 9 00 29 used new offers kindle 2399 digital list price 31 99 available instantly hardcover the meaning of the millennium four views

**anthony a hoekema books biography latest update** - Apr 04 2022

web follow anthony a hoekema and explore their bibliography from amazon com s anthony a hoekema author page

[anthony a hoekema open library](#) - Jun 06 2022

web aug 20 2008 by anthony a hoekema first published in 1977 1 edition in 1 language not in library the four major cults christian science jehovah s witnesses mormonism seventh day adventism

[the bible and the future hoekema anthony a](#) - Nov 30 2021

web anthony hoekema presents one of the most prominent evangelical works on eschatology in the first part of his three volume journey through the major tenets of reformed theology his other two works created in god s image and saved by

grace capture the doctrines of anthropology and soteriology respectively

*saved by grace hoekema anthony a 9780802808578* - Feb 02 2022

web sep 6 1994 hoekema writes from a confessional reformed point of view not only does he explicitly use materials from the classic reformed confessions especially the westminster confession and the canons of dordt but he intersperses those doctrines throughout the text

**anthony a hoekema the gospel coalition** - Mar 15 2023

web anthony andrew hoekema 1913 1988 was a minister and theologian he was also a professor of systematic theology at calvin theological seminary grand rapids for twenty one years resources by anthony a hoekema filters content type date range scripture topic sort newest oldest title a z title z a sort newest

*created in god s image hoekema anthony a* - Sep 28 2021

web anthony hoekema 1913 1988 was professor of systematic theology at calvin theological seminary and has written many other works most notably two books which defend the reformed understanding of soteriology saved by

[anthony a hoekema wikipedia](#) - Aug 20 2023

web anthony andrew hoekema 1913 in drachten 17 october 1988 was a calvinist minister and theologian who served as professor of systematic theology at calvin theological seminary grand rapids for twenty one years biography hoekema was born in the netherlands but immigrated to the united states in 1923

[anthony a hoekema wikiwand](#) - Jan 13 2023

web anthony a hoekema dutch american theologian from wikipedia the free encyclopedia anthony andrew hoekema 1913 in drachten 17 october 1988 was a calvinist minister and theologian who served as professor of systematic theology at calvin theological seminary grand rapids for twenty one years oops something went wrong 403

[anthony a hoekema wikipedia](#) - Oct 30 2021

web anthony a hoekema n 1913 drachten provincia frizia Țările de jos d 17 octombrie 1988 a fost un teolog creștin ce a servit douăzeci și unu de ani ca profesor de teologie sistematică la seminarul teologic calvin hoekema s a născut în Țările de jos dar a imigrat în statele unite în 1923 a studiat la colegiul calvin universitatea michigan

*the bible and the future hoekema anthony a* - Feb 14 2023

web sep 6 1994 anthony hoekema presents one of the most prominent evangelical works on eschatology in the first part of his three volume journey through the major tenets of reformed theology his other two works created in god s image and saved by grace capture the doctrines of anthropology and soteriology respectively

**anthony a hoekema author of created in god s image goodreads** - Jul 19 2023

web anthony a hoekema 1913 1988 was a christian theologian of the dutch reformed tradition who served as professor of

systematic theology at calvin theological seminary for twenty one years hoekema was born in the netherlands but immigrated to

**handbook of market segmentation google books** - Sep 22 2023

web the handbook of market segmentation 3rd edition strategic target marketing for business and technology firms is a practical how to guide to what marketers need to know about defining

*handbook of market segmentation strategic targeting for* - Feb 15 2023

web apr 20 2004 buy handbook of market segmentation strategic targeting for business and technology firms third edition haworth series in segmented targeted and customized market 1 by weinstein art isbn 9780789021571 from amazon s book store everyday low prices and free delivery on eligible orders

**handbook of market segmentation strategic targeting for** - May 18 2023

web handbook of market segmentation strategic targeting for business and technology firms third edition haworth series in segmented targeted and customized market weinstein art amazon com tr kitap

handbook of market segmentation strategic targeting for - Mar 04 2022

web handbook of market segmentation strategic targeting for business and technology firms third edition haworth series in segmented targeted and customized market buy online at best price in ksa souq is now amazon sa weinstein art books

**handbook of market segmentation pdf market segmentation** - Jun 07 2022

web handbook of market segmentation free ebook download as pdf file pdf text file txt or read book online for free

buy handbook of market segmentation strategic targeting for - Jan 14 2023

web handbook of market segmentation strategic targeting for business and technology firms third edition haworth series in segmented targeted and customized market hardcover 30 april 2004 by art weinstein author 4 2 11 ratings part of haworth series in segmented targeted and customized market 3 books see all formats and editions

*handbook of market segmentation strategic targeting for* - Jul 20 2023

web aug 15 2013 the handbook of market segmentation 3rd edition strategic target marketing for business and technology firms is a practical how to guide to what marketers need to know about defining segmenting and targeting business markets assessing customer needs gauging the competition designing winning strategies and

*handbook of market segmentation strategic targeting for* - Sep 10 2022

web handbook of market segmentation strategic targeting for business and technology firms third edition haworth series in segmented targeted and customized market weinstein art isbn 9780789021571 kostenloser versand für alle bücher mit versand und verkauf duch amazon

**details for handbook of market segmentation strategic targeting** - Aug 09 2022

web handbook of market segmentation strategic targeting for business and technology firms by

**handbook of market segmentation april 2004 edition open** - Mar 16 2023

web handbook of market segmentation strategic targeting for business and technology firms haworth series in segmented targeted and customized market haworth segmented targeted and customized market

**weinstein a handbook of market segmentation haworth series in** - Aug 21 2023

web weinstein a handbook of market segmentation haworth series in segmented targeted and customized market weinstein art amazon com tr kitap

handbook of market segmentation strategic targeting for - Jun 19 2023

web apr 20 2004 handbook of market segmentation strategic targeting for business and technology firms third edition

haworth series in segmented targeted and customized market weinstein art on amazon com free shipping on qualifying offers

handbook market segmentation abebooks - Jul 08 2022

web handbook of market segmentation haworth series in segmented targeted and customized market by weinstein art and a great selection of related books art and collectibles available now at abebooks com

**handbook of market segmentation strategic targeting for** - Nov 12 2022

web handbook of market segmentation strategic targeting for business and technology firms haworth series in segmented targeted and customized market haworth segmented targeted and customized market art weinstein

weinstein a handbook of market segmentation strategic - Oct 11 2022

web weinstein a handbook of market segmentation strategic targeting for business and technology firms third edition

haworth series in segmented targeted and customized market weinstein art isbn 9780789021564 kostenloser versand für alle bücher mit versand und verkauf duch amazon

handbook of market segmentation strategic targeting for business - May 06 2022

web handbook of market segmentation strategic targeting for business and technology firms haworth series in segmented targeted and customized market haworth segmented targeted and customized market

*handbook of market segmentation strategic targeting for* - Dec 13 2022

web buy handbook of market segmentation strategic targeting for business and technology firms third edition haworth series in segmented targeted and customized market by weinstein art online on amazon ae at best prices fast and free shipping free returns cash on delivery available on eligible purchase

editions of handbook of market segmentation by art weinstein - Apr 17 2023

web apr 20 2004 handbook of market segmentation strategic targeting for business and technology firms third edition

haworth series in segmented targeted and customized market published october 31st 2013 by routledge

**handbook of market segmentation haworth series in aiello** - Apr 05 2022

web handbook of market segmentation haworth series in if you ally habit such a referred handbook of market segmentation haworth series in book that will provide you worth acquire the utterly best seller from us currently from several preferred authors

**programmazione cuori con le ali** - Jan 27 2022

web apr 15 2023 cuori con le ali le libellule 2 is available in our digital library an online access to it is set as public so you can get it instantly our book servers saves in multiple

**amazon it le libellule** - Mar 09 2023

web cuori con le ali le libellule vol 2 di elena peduzzi b bongini e al 4 5 su 5 stelle 15 copertina flessibile oppure 1 29 per acquistare un album mp3 la storia della

**cuori con le ali le libellule vol 2 paperback jan 1 2012** - Nov 05 2022

web cuori con le ali le libellule vol 2 elena peduzzi b bongini 9788850227600 books amazon ca

*cuori con le ali le libellule vol 2 tea ragazzi amazon es* - Apr 10 2023

web cuori con le ali le libellule vol 2 tea ragazzi peduzzi elena bongini b thaler s amazon es libros

**cuori con le ali le libellule vol 2 elena peduzzi lafeltrinelli** - Jan 07 2023

web cuori con le ali le libellule vol 2 è un libro di elena peduzzi pubblicato da tea nella collana tea ragazzi acquista su lafeltrinelli a 5 00

cuori con le ali le libellule elena peduzzi google books - Dec 06 2022

web i primi allenamenti con la nuova insegnante mettono a dura prova le libellule la signora ranieri è davvero severa e inflessibile martina e le sue compagne devono fare appello a

*cuori con le ali le libellule vol 2 copertina flessibile amazon it* - Jul 13 2023

web cuori con le ali le libellule vol 2 copertina flessibile 13 settembre 2012 di elena peduzzi autore b bongini illustratore s thaler illustratore 4 5 15 voti visualizza

cuori con le ali facebook - Jul 01 2022

web jun 19 2023 cuori con le ali le libellule vol 2 è un libro scritto da elena peduzzi pubblicato da tea nella collana tea ragazzi cuori con le ali serie le libellule n 2 elena

*cuori con le ali conversano facebook* - Feb 25 2022

web 01 aprile 2023 la bella e la bestia caronno pertusella va 0 13 25 marzo 2023 ma che musical maestro milano 14 settembre 2022 0 8

**cuori con le ali le libellule peduzzi elena amazon com tr** - May 11 2023

web le libellule peduzzi elena amazon com tr Çerez tercihlerinizi seçin alışveriş deneyiminizi geliştirmek hizmetlerimizi sunmak müşterilerin hizmetlerimizi nasıl

*cuori con le ali le libellule vol 2 amazon com br* - Oct 04 2022

web compre online cuori con le ali le libellule vol 2 de peduzzi elena bongini b thaler s na amazon frete grátis em milhares de produtos com o amazon prime

*cuori con le ali le libellule 2 by elena peduzzi b bongini s* - Apr 29 2022

web listen to cuore con le ali on spotify habamusic song 2021 habamusic song 2021 listen to cuore con le ali on spotify habamusic song 2021 sign up log in home

**cuori con le ali le libellule vol 2 amazon fr** - Aug 14 2023

web noté 5 retrouvez cuori con le ali le libellule vol 2 et des millions de livres en stock sur amazon fr achetez neuf ou d occasion

**cuori con le ali le libellule 2 elena peduzzi mondadori store** - Jun 12 2023

web acquista online il libro cuori con le ali le libellule 2 di elena peduzzi in offerta a prezzi imbattibili su mondadori store

*cuori con le ali le libellule 2 by elena peduzzi b bongini s thaler* - Oct 24 2021

*cuori con le ali le libellule 2 by elena peduzzi b bongini s* - May 31 2022

web jun 6 2023 elena peduzzi b bongini s thaler below we reimburse for cuori con le ali le libellule 2 by elena peduzzi b bongini s thaler and abundant books

**cuori con le ali le libellule vol 2 libro di peduzzi elena** - Sep 03 2022

web martina e le sue compagne devono fare appello a tutta la loro grinta e al loro spirito di squadra per tenere alto il morale e preparare il nuovo esercizio per le gare regionali

*cuori con le ali le libellule 2 by elena peduzzi b bongini s* - Aug 02 2022

web scrapbooking cuori con le ali le libellule 2 elena peduzzi libro libro missione vittoria le libellule 3 di elena peduzzi l onda è il mare viaggio del cuore e della mente libro

*cuore con le ali song and lyrics by habamusic spotify* - Mar 29 2022

web cuori con le ali conversano 1 216 likes 56 talking about this 95 were here cuori con le ali centro di formazione arti dello spettacolo contenitore culturale produzione di

**niccolò fabi amori con le ali live performance vevo** - Nov 24 2021

web may 14th 2020 cuori con le ali le libellule vol 2 è un libro scritto da elena peduzzi pubblicato da tea nella collana tea ragazzi 11 fantastiche immagini su carta da parati a

*cuori con le ali le libellule 2 uniport edu* - Dec 26 2021

web niccolò fabi presenta il brano amori con le ali in questa speciale performance dal vivo per vevo accompagnato da costanza francavilla e stefano cabrera g

**cuori con le ali le libellule vol 2 paperback amazon com au** - Feb 08 2023

web cuori con le ali le libellule vol 2 peduzzi elena bongini b thaler s amazon com au books

cuori con le ali facebook - Sep 22 2021