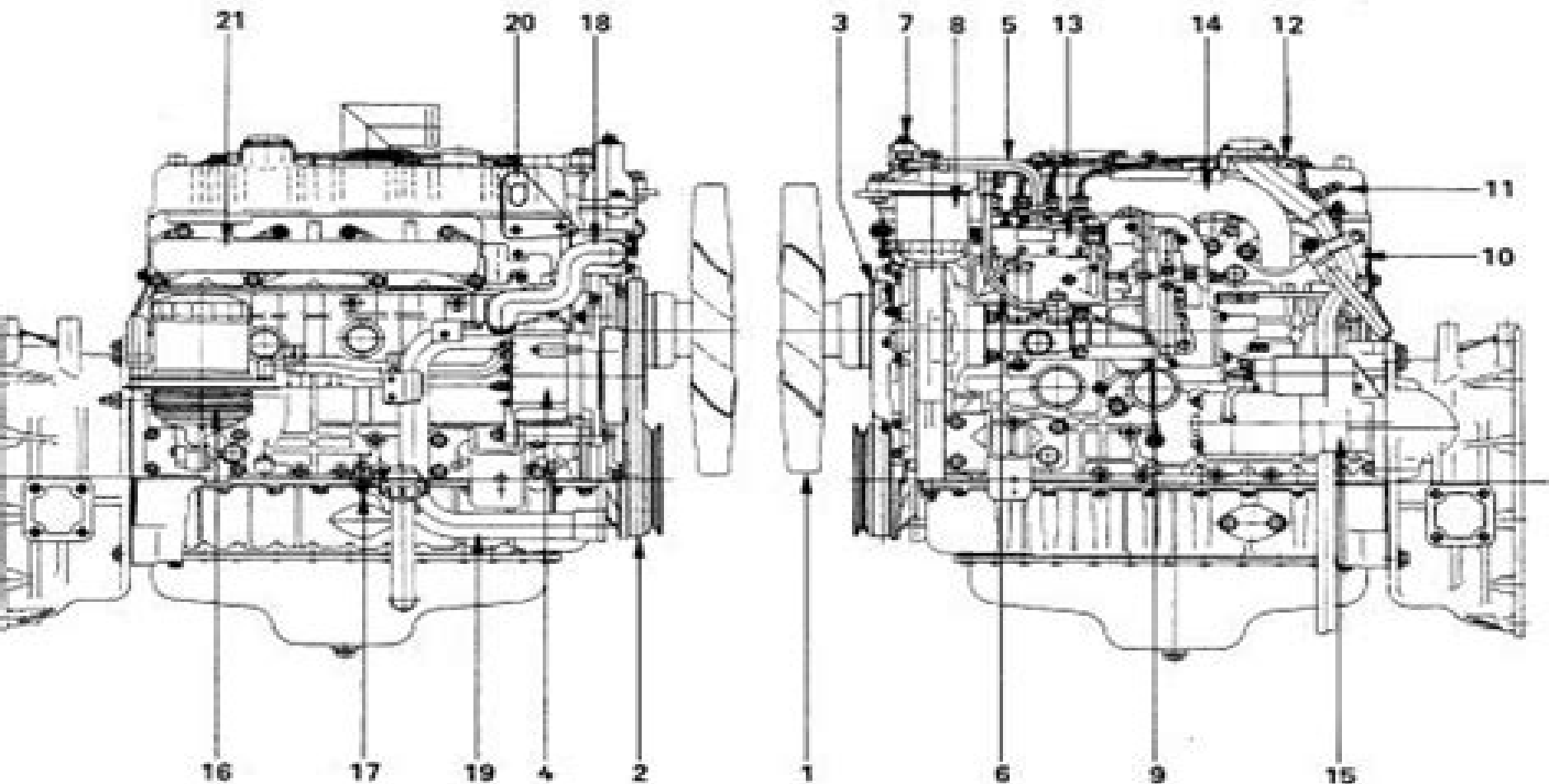


SERVICE MANUAL

4JB1 ISUZU

ENGINES



Isuzu Diesel Engine Service Manual

Isuzu Jidōsha Kabushiki Kaisha



Isuzu Diesel Engine Service Manual:

Workshop Manual for Isuzu C221 Diesel Engine Isuzu Motors Limited,1972* **Chilton's Diesel Engine Service Manual, 1984** John H. Weise,1984 **Isuzu Workshop Manual** ,1986* **Workshop Manual for the Isuzu Diesel Engine** Isuzu Jidōsha Kabushiki Kaisha,Isuzu Motors,1971 **Workshop Manual for the Isuzu Diesel Engine** Isuzu Motors,1971 For 6 cylinder trucks produced in 1973 Popular Mechanics ,1981-07 Popular Mechanics inspires instructs and influences readers to help them master the modern world Whether it s practical DIY home improvement tips gadgets and digital technology information on the newest cars or the latest breakthroughs in science PM is the ultimate guide to our high tech lifestyle *Isuzu Workshop Manual* Isuzu Jidōsha Kabushiki Kaisha,1981 **Isuzu Workshop Manual** Isuzu Jidōsha Kabushiki Kaisha,1981 *Isuzu Workshop Manual* Isuzu Jidōsha Kabushiki Kaisha. Service Department. Overseas Sales Division,1982 *Isuzu Workshop Manual Diesel Engine C223 Model* ,1982 Part no C223 WE 141 This manual applies to the 1982 year and later models **Isuzu Workshop Manual** Isuzu Motors Limited,1984 Popular Mechanics ,1979-12 Popular Mechanics inspires instructs and influences readers to help them master the modern world Whether it s practical DIY home improvement tips gadgets and digital technology information on the newest cars or the latest breakthroughs in science PM is the ultimate guide to our high tech lifestyle Popular Mechanics ,1981-02 Popular Mechanics inspires instructs and influences readers to help them master the modern world Whether it s practical DIY home improvement tips gadgets and digital technology information on the newest cars or the latest breakthroughs in science PM is the ultimate guide to our high tech lifestyle *Isuzu Workshop Manual Diesel Engine 4FB1, 4FC1 Models* Isuzu Motors Limited,1982 Isuzu Workshop Manual Diesel Engine 4FB1 Model Isuzu Jidōsha Kabushiki Kaisha,1980 **Isuzu Workshop Manual** ,1982 Part no C223 WE 141 This manual applies to the 1982 year and later models Fleet Owner ,2006 **Popular Science** ,1979-08 Popular Science gives our readers the information and tools to improve their technology and their world The core belief that Popular Science and our readers share The future is going to be better and science and technology are the driving forces that will help make it better **Popular Science** ,1980-09 Popular Science gives our readers the information and tools to improve their technology and their world The core belief that Popular Science and our readers share The future is going to be better and science and technology are the driving forces that will help make it better **Training in the Motor Vehicle Repair and Sales Sector** Felix Rauner,European Centre for the Development of Vocational Training,1994 Trends in training for employment in the motor vehicle repair and sales sectors in the 12 European Community EC countries were identified through a review of 12 national reports that were prepared by 16 research teams involved in an EC study on continuing training in the motor vehicle sales and repair sector Special attention was paid to the following topics structure and characteristics of the motor vehicle sector in the EC changing tasks in repair workshops and implications for skill requirements development and objectives content and delivery of continuing vocational training of the

sector's work force The following are among the trends and issues identified increased quality consciousness standardization and modularization versus transferability and mobility adaptive versus forward qualification and qualification planning roles of the providers of continuing vocational training training concepts and their adaptation to the needs of individual countries and repair shops control versus cooperation of manufacturers and dealers and high quality service stations as sites for vocational and continuing training Contains 23 tables figures and 15 references Appended are diagrams of the technical training scheme and technical service training curriculum identified and a table detailing registration of passenger cars in Western Europe by country in 1985 1992 MN

Unveiling the Power of Verbal Artistry: An Psychological Sojourn through **Isuzu Diesel Engine Service Manual**

In some sort of inundated with screens and the cacophony of quick transmission, the profound energy and emotional resonance of verbal beauty frequently diminish into obscurity, eclipsed by the continuous barrage of sound and distractions. Yet, set within the lyrical pages of **Isuzu Diesel Engine Service Manual**, a captivating function of literary splendor that impulses with raw feelings, lies an unforgettable journey waiting to be embarked upon. Published with a virtuoso wordsmith, this magical opus guides readers on a psychological odyssey, lightly revealing the latent possible and profound influence embedded within the delicate internet of language. Within the heart-wrenching expanse with this evocative evaluation, we will embark upon an introspective exploration of the book is central styles, dissect its interesting writing style, and immerse ourselves in the indelible impression it leaves upon the depths of readers souls.

<https://py.bijouxmedusa.com/data/uploaded-files/default.aspx/Toyota%20ar%20Fe%20Engine.pdf>

Table of Contents Isuzu Diesel Engine Service Manual

1. Understanding the eBook Isuzu Diesel Engine Service Manual
 - The Rise of Digital Reading Isuzu Diesel Engine Service Manual
 - Advantages of eBooks Over Traditional Books
2. Identifying Isuzu Diesel Engine Service Manual
 - Exploring Different Genres
 - Considering Fiction vs. Non-Fiction
 - Determining Your Reading Goals
3. Choosing the Right eBook Platform
 - Popular eBook Platforms
 - Features to Look for in an Isuzu Diesel Engine Service Manual
 - User-Friendly Interface
4. Exploring eBook Recommendations from Isuzu Diesel Engine Service Manual
 - Personalized Recommendations

- Isuzu Diesel Engine Service Manual User Reviews and Ratings
- Isuzu Diesel Engine Service Manual and Bestseller Lists
- 5. Accessing Isuzu Diesel Engine Service Manual Free and Paid eBooks
 - Isuzu Diesel Engine Service Manual Public Domain eBooks
 - Isuzu Diesel Engine Service Manual eBook Subscription Services
 - Isuzu Diesel Engine Service Manual Budget-Friendly Options
- 6. Navigating Isuzu Diesel Engine Service Manual eBook Formats
 - ePub, PDF, MOBI, and More
 - Isuzu Diesel Engine Service Manual Compatibility with Devices
 - Isuzu Diesel Engine Service Manual Enhanced eBook Features
- 7. Enhancing Your Reading Experience
 - Adjustable Fonts and Text Sizes of Isuzu Diesel Engine Service Manual
 - Highlighting and Note-Taking Isuzu Diesel Engine Service Manual
 - Interactive Elements Isuzu Diesel Engine Service Manual
- 8. Staying Engaged with Isuzu Diesel Engine Service Manual
 - Joining Online Reading Communities
 - Participating in Virtual Book Clubs
 - Following Authors and Publishers Isuzu Diesel Engine Service Manual
- 9. Balancing eBooks and Physical Books Isuzu Diesel Engine Service Manual
 - Benefits of a Digital Library
 - Creating a Diverse Reading Collection Isuzu Diesel Engine Service Manual
- 10. Overcoming Reading Challenges
 - Dealing with Digital Eye Strain
 - Minimizing Distractions
 - Managing Screen Time
- 11. Cultivating a Reading Routine Isuzu Diesel Engine Service Manual
 - Setting Reading Goals Isuzu Diesel Engine Service Manual
 - Carving Out Dedicated Reading Time
- 12. Sourcing Reliable Information of Isuzu Diesel Engine Service Manual
 - Fact-Checking eBook Content of Isuzu Diesel Engine Service Manual

- Distinguishing Credible Sources
- 13. Promoting Lifelong Learning
 - Utilizing eBooks for Skill Development
 - Exploring Educational eBooks
- 14. Embracing eBook Trends
 - Integration of Multimedia Elements
 - Interactive and Gamified eBooks

Isuzu Diesel Engine Service Manual Introduction

Free PDF Books and Manuals for Download: Unlocking Knowledge at Your Fingertips In today's fast-paced digital age, obtaining valuable knowledge has become easier than ever. Thanks to the internet, a vast array of books and manuals are now available for free download in PDF format. Whether you are a student, professional, or simply an avid reader, this treasure trove of downloadable resources offers a wealth of information, conveniently accessible anytime, anywhere. The advent of online libraries and platforms dedicated to sharing knowledge has revolutionized the way we consume information. No longer confined to physical libraries or bookstores, readers can now access an extensive collection of digital books and manuals with just a few clicks. These resources, available in PDF, Microsoft Word, and PowerPoint formats, cater to a wide range of interests, including literature, technology, science, history, and much more. One notable platform where you can explore and download free Isuzu Diesel Engine Service Manual PDF books and manuals is the internet's largest free library. Hosted online, this catalog compiles a vast assortment of documents, making it a veritable goldmine of knowledge. With its easy-to-use website interface and customizable PDF generator, this platform offers a user-friendly experience, allowing individuals to effortlessly navigate and access the information they seek. The availability of free PDF books and manuals on this platform demonstrates its commitment to democratizing education and empowering individuals with the tools needed to succeed in their chosen fields. It allows anyone, regardless of their background or financial limitations, to expand their horizons and gain insights from experts in various disciplines. One of the most significant advantages of downloading PDF books and manuals lies in their portability. Unlike physical copies, digital books can be stored and carried on a single device, such as a tablet or smartphone, saving valuable space and weight. This convenience makes it possible for readers to have their entire library at their fingertips, whether they are commuting, traveling, or simply enjoying a lazy afternoon at home. Additionally, digital files are easily searchable, enabling readers to locate specific information within seconds. With a few keystrokes, users can search for keywords, topics, or phrases, making research and finding relevant information a breeze. This efficiency saves time and effort, streamlining the learning process and allowing individuals to focus on extracting the

information they need. Furthermore, the availability of free PDF books and manuals fosters a culture of continuous learning. By removing financial barriers, more people can access educational resources and pursue lifelong learning, contributing to personal growth and professional development. This democratization of knowledge promotes intellectual curiosity and empowers individuals to become lifelong learners, promoting progress and innovation in various fields. It is worth noting that while accessing free Isuzu Diesel Engine Service Manual PDF books and manuals is convenient and cost-effective, it is vital to respect copyright laws and intellectual property rights. Platforms offering free downloads often operate within legal boundaries, ensuring that the materials they provide are either in the public domain or authorized for distribution. By adhering to copyright laws, users can enjoy the benefits of free access to knowledge while supporting the authors and publishers who make these resources available. In conclusion, the availability of Isuzu Diesel Engine Service Manual free PDF books and manuals for download has revolutionized the way we access and consume knowledge. With just a few clicks, individuals can explore a vast collection of resources across different disciplines, all free of charge. This accessibility empowers individuals to become lifelong learners, contributing to personal growth, professional development, and the advancement of society as a whole. So why not unlock a world of knowledge today? Start exploring the vast sea of free PDF books and manuals waiting to be discovered right at your fingertips.

FAQs About Isuzu Diesel Engine Service Manual Books

How do I know which eBook platform is the best for me? Finding the best eBook platform depends on your reading preferences and device compatibility. Research different platforms, read user reviews, and explore their features before making a choice. Are free eBooks of good quality? Yes, many reputable platforms offer high-quality free eBooks, including classics and public domain works. However, make sure to verify the source to ensure the eBook credibility. Can I read eBooks without an eReader? Absolutely! Most eBook platforms offer webbased readers or mobile apps that allow you to read eBooks on your computer, tablet, or smartphone. How do I avoid digital eye strain while reading eBooks? To prevent digital eye strain, take regular breaks, adjust the font size and background color, and ensure proper lighting while reading eBooks. What the advantage of interactive eBooks? Interactive eBooks incorporate multimedia elements, quizzes, and activities, enhancing the reader engagement and providing a more immersive learning experience. Isuzu Diesel Engine Service Manual is one of the best book in our library for free trial. We provide copy of Isuzu Diesel Engine Service Manual in digital format, so the resources that you find are reliable. There are also many Ebooks of related with Isuzu Diesel Engine Service Manual. Where to download Isuzu Diesel Engine Service Manual online for free? Are you looking for Isuzu Diesel Engine Service Manual PDF? This is definitely going to save you time and cash in something you should think about. If you trying to find then

search around for online. Without a doubt there are numerous these available and many of them have the freedom. However without doubt you receive whatever you purchase. An alternate way to get ideas is always to check another Isuzu Diesel Engine Service Manual. This method for see exactly what may be included and adopt these ideas to your book. This site will almost certainly help you save time and effort, money and stress. If you are looking for free books then you really should consider finding to assist you try this. Several of Isuzu Diesel Engine Service Manual are for sale to free while some are payable. If you arent sure if the books you would like to download works with for usage along with your computer, it is possible to download free trials. The free guides make it easy for someone to free access online library for download books to your device. You can get free download on free trial for lots of books categories. Our library is the biggest of these that have literally hundreds of thousands of different products categories represented. You will also see that there are specific sites catered to different product types or categories, brands or niches related with Isuzu Diesel Engine Service Manual. So depending on what exactly you are searching, you will be able to choose e books to suit your own need. Need to access completely for Campbell Biology Seventh Edition book? Access Ebook without any digging. And by having access to our ebook online or by storing it on your computer, you have convenient answers with Isuzu Diesel Engine Service Manual To get started finding Isuzu Diesel Engine Service Manual, you are right to find our website which has a comprehensive collection of books online. Our library is the biggest of these that have literally hundreds of thousands of different products represented. You will also see that there are specific sites catered to different categories or niches related with Isuzu Diesel Engine Service Manual So depending on what exactly you are searching, you will be able to choose ebook to suit your own need. Thank you for reading Isuzu Diesel Engine Service Manual. Maybe you have knowledge that, people have search numerous times for their favorite readings like this Isuzu Diesel Engine Service Manual, but end up in harmful downloads. Rather than reading a good book with a cup of coffee in the afternoon, instead they juggled with some harmful bugs inside their laptop. Isuzu Diesel Engine Service Manual is available in our book collection an online access to it is set as public so you can download it instantly. Our digital library spans in multiple locations, allowing you to get the most less latency time to download any of our books like this one. Merely said, Isuzu Diesel Engine Service Manual is universally compatible with any devices to read.

Find Isuzu Diesel Engine Service Manual :

toyota 2ar fe engine

[tintin and the picaros](#)

training installing and configuring windows server 2012 r2

toyota camry service manual 2007

twenty four italian songs arias of the

trial by fire the 1972 easter offensive americas last vietnam battle

typing paper for kids

treasure island black cat green apple sdocuments2

tkam study questions and answers

tunnels 1 roderick gordon

time saving guide to surfactant selection

three roll bender

toshiba aplio 400 manual

thomas finney calculus 8th edition

truth and bright water

Isuzu Diesel Engine Service Manual :

name date period 10 chapter 10 test form 2b score - Nov 06 2022

web chapter 10 65glencoe geometry 10 write the letter for the correct answer in the blank at the right of each question for questions 1 3 use d 1 name a radius a ab c cb b db d ce $\hat{2}$ name a chord that is not a diameter f ab g db h cb j ce 3 name a secant a ab b

geometry unit 10 circles test answers answers for 2023 exams - Dec 27 2021

web the center is 0 0 and a point on the circle is 0 6 answer question 10 the center is 1 2 and a point on the circle is 4 2 answer $x^2 y^2 9$ explanation $r x h^2 y k^2 4 1^2 2^2 3^2 r 3 x h^2 y k^2 r^2 x 0^2 y 0^2 3^2 x^2 y^2 9$ question 11

chapter 10 resource masters math problem solving - May 12 2023

web isbn 0 07 860187 8 geometry chapter 10 resource masters chapter 10 test form 2d 597 598 chapter 10 test full size answer keys are provided for the assessment masters in this booklet reading to learn mathematics vocabulary builder

10th grade geometry textbook final exam study com - Feb 26 2022

web test and improve your knowledge of 10th grade geometry textbook with fun multiple choice exams you can take online with study com free practice test instructions choose your answer to the

ch 10 practice test algebra and trigonometry openstax - Jan 08 2023

web solve the triangle if possible and round each answer to the nearest tenth given $\beta 68 b 21 c 16 \beta 68 b 21 c 16 2$ find the area of the triangle in figure 1

chapter 10 test a geometry answers study finder - Jun 01 2022

web definition 1 it bisects the chord making both sides of the chord congruent and both sides of the arc congruent click the card to flip now your chapter 10 test geometry answers is completed related links to chapter 11 test geometry answers yes the opposite angles are always supplementary

chapter 10 circles mcgraw hill education - Sep 04 2022

web chapter 10 circles chapter readiness quiz chapter test concepts in motion problem of the week cards real world careers standardized test practice vocabulary review

geometry chapter 10 test a answer key answers for 2023 exams - Jul 14 2023

web chapter 10 practice test for 1 to 4 select the correct answer 1 the perpendicular from the centre of a circle to a chord studylib net doc 8442139 chapter 10 practice test geometry common core 15th edition chapter 10 area mid

geometry test chapter 10 answers flashcards quizlet - Apr 11 2023

web geometry test chapter 10 answers the regular polygon has a radius of 11 m find each angle measure to the nearest tenth of a degree each linear measure to the nearest tenth of a meter and the square measure to the nearest square meter click the card to flip a 22 5 b 45 c 8 3 m d 6 9 m

chapter 10 - Mar 30 2022

web all rights reserved worked out solutions chapter 10 chapter 10 maintaining mathematical proficiency p 527 $1 \times 7 \times 4 \times x \times 4 \times 7 \times 4 \times 2 \times 4 \times 7 \times 28 \times 2 \times 11 \times 28$ the product is $x^2 \times 11 \times 28 \times 2 \times 1 \times 5 \times a \times a \times 5 \times 1 \times 1 \times 5 \times a^2 \times 5 \times a \times 5 \times a^2 \times 4 \times a \times 5$ the product is $a^2 \times 4 \times a \times 5 \times 3$

geometry textbook solutions answers quizlet - Aug 03 2022

web browse through thousands of step by step solutions to end of chapter questions from the most popular geometry textbooks it's never been a better time to learn get your geometry homework done with quizlet

glencoe geometry chapter 10 answer key form signnow - Jan 28 2022

web the question arises how can i design the glencoe geometry chapter 10 answer key i received right from my gmail without any third party platforms the answer is simple use the signnow chrome extension below are five simple steps to get your geometry chapter 10 test answer key designed without leaving your gmail account

geometry chapter 10 answers pdf google sheets - Feb 09 2023

web geometry chapter 10 answers pdf geometry chapter 10 answers pdf sign in

practice test a answers mrs cunningham s course information - Mar 10 2023

web name chapter for use after chapter 10 date answers use the diagram to match the notation with the term that best describes it h tangent 10 12 13 15 16 17 18 19 20 qsc geometru 3 8 da ae ab tell how many common tangents the given circles have 10 qr is a radius of or and po is tangent to or find the value of x 13 q 30 18 12 14

chapter 10 geometry answer key answers for 2023 exams - Jun 13 2023

web geometry chapter 10 review answer key mylibrary org geometry chapter 10 test a answer key mylibrary org this chapter comes under unit coordinate geometry and has a weightage of 6 marks in the board examination there will be one mark mcq question 2mark reasoning questions and 3 marks short answer questions

name date period 10 chapter 10 test form 2a score - Aug 15 2023

web chapter 10 63glencoe geometry 10 write the letter for the correct answer in the blank at the right of each question for questions 1 3 use o 1 name a diameter a fg c ab ^ b ab d ce ^ 2 name a chord f fo g ab h ab ^

10 sınıf geometri konu anlatımı test soruları ve cevapları - Dec 07 2022

web 10 sınıf geometri dikdörtgen test soruları ve cevapları 10 sınıf geometri yamuk test soruları ve cevapları 10 sınıf geometri konu anlatımı test soruları ve cevapları en İyi geometri Özeti Özenle hazırlanmış geometri deltoid soruları ve cevapları

chapter 10 test review geometry answer key answers for 2023 exams - Apr 30 2022

web chapter 10 test geometry answer key mylibrary org chapter 10 test geometry answer key updated 5140 kb s 7261 chapter 10 test review with key yumpu 1 identify all tangents for circle o c g d a e o f h 2 draw a common internal tangent to r and s below

chapter 10 test form a geometry answer key answers for 2023 exams - Oct 05 2022

web 8200 chapter 10 test form a geometry answer key added by users 1676 kb s 12927 chapter 10 test geometry answer key mylibrary org chapter 10 test geometry answer key updated 5140 kb s 7261 chapter 10 test review with key yumpu 1 identify all tangents for circle o c g d a e o f h 2

ch 10 practice test folsom cordova unified school district - Jul 02 2022

web e b a circle is the set of all points in a plane that a have a center b are equidistant from a given point c have a diameter d lie within a given radius 4 define a secant of a circle and illustrate the definition on the circle below 5 ab is tangent to o at a not drawn to scale

les techniques de l as les fiches pratiques de l pdf - Apr 14 2023

les techniques de l as les fiches pratiques de l downloaded from ol wise edu jo by guest jamiya arely united states treaties and other international agreements martinus nijhoff publishers ce rapport aborde les sources d émission d ammoniac leur impact sur l environnement sur le cycle et l utilisation de l azote dans les sols ainsi que sur la

les techniques de l as les fiches pratiques de l full pdf - Jul 17 2023

merely said the les techniques de l as les fiches pratiques de l is universally compatible with any devices to read les techniques de l as les fiches pratiques de l downloaded from ol wise edu jo by guest erickson evelin iica food security in the americas a new development model elsevier large areas of crops are now grown under water stressed

les techniques de l as les fiches pratiques de l - Aug 06 2022

les techniques de l as les fiches pratiques de l 1 les techniques de l as les fiches pratiques de l yeah reviewing a book les techniques de l as les fiches pratiques de l could go to your close connections listings this is just one of the solutions for you to be successful as understood talent does not recommend that you have astounding points

réussir son stage infirmier aux urgences adultes et pédiatriques - Dec 10 2022

oct 10 2023 150 fiches mémo pratiques illustrées pour détailler les modalités de manipulation et d administration des médicaments injectables de l urgence ainsi que les antalgiques les antibiotiques

download solutions les techniques de l as les fiches pratiques de l - Nov 09 2022

les techniques de l as les fiches pratiques de l index catalogue of the library of the surgeon general s office united states army mar 12 2020 authority in the modern state mar 24 2021 this volume is some sort the sequel to a book on the problem of sovereignty which i published in march

les techniques de l as les fiches pratiques de l ftp bonide - Jul 05 2022

les techniques de l as les fiches pratiques de l annual survey of education in canada lexicon of environmental law les définitions du droit de l environnement paris médical la fermentation malolactique dans les vins mécanismes et applications pratiques les industries lithiques taillées de franchthi argolide grèce volume 1 genie

les techniques de l as les fiches pratiques de l raphael - Jan 11 2023

les techniques de l as les fiches pratiques de l is available in our book collection an online access to it is set as public so you can get it instantly our digital library saves in multiple countries allowing you to get the most less latency time to download any of our books like this one bonnes pratiques pour le montage et la gestion

traitement anti salpêtre b201 technique as - May 03 2022

préparation du produit t verser la partie a dans la partie b et mélanger soigneusement t le produit ainsi obtenu doit être appliqué dans l heure pot live t le technique a s est prêt à l emploi ou peut être légèrement dilué à l eau max 10 mise en œuvre t application de la première couche de b201 technique as

les techniques de l as les fiches pratiques de l pdf - May 15 2023

mise en œuvre de ces techniques une partie de l ouvrage est consacrée à la prévention des risques liés aux manutentions des enfants sommaire partie 1 s informer informer gérer partie 2 entretenir

80 fiches techniques pour l aide soignant fnac - Jun 16 2023

cette 3e édition des 80 fiches techniques pour l aide soignant décline à travers une série de fiches les pratiques essentielles que se doit de maîtriser l aide soignant dans le cadre de sa future fonction l ouvrage est divisé en 8 parties correspondant aux 8 modules de formation du deas présentée

80 fiches pratiques aide soignant elsevier - Sep 19 2023

80 fiches pratiques aide soignant alain ramé philippe delpierre isbn 9782294761164 paru le 4 septembre 2019 en savoir plus auteurs alain ramé philippe delpierre en savoir plus table des matières module 1 l accompagnement d une personne dans les activités de la vie quotidienne

b201 technicure as - Jun 04 2022

conserver à l abri du gel et de l humidité stockable 1 an produit fabriqué par technichem s a nb pour plus d informations sur le traitement des murs enterrés nous vous invitons à consulter notre dossier technique murs enterrés la fiche de données de sécurité est disponible sur demande pour les professionnels sur le

a101 - Apr 02 2022

le technisil a été testé par le centre scientifique et technique de la construction rapport n de 622x840f le technisil possède un agrément technique les utilisateurs doivent toujours se référer aux dernières publications de nos fiches techniques dont une copie peut être obtenue sur simple demande title a101

les techniques de l as les fiches pratiques de l pdf - Feb 12 2023

if you ally need such a referred les techniques de l as les fiches pratiques de l books that will give you worth get the entirely best seller from us currently from several preferred authors if you want to witty books lots of novels tale jokes and more fictions collections are furthermore recueil des cours collected courses 1933

les pratiques de l as 63 fiches techniques catalogue en ligne - Aug 18 2023

les pratiques de l as 63 fiches techniques auteurs jacqueline bregetzer auteur type de document ouvrage mention d édition 3ème ed editeur rueil malmaison france lamarre 2007

devoirs et compositions technologie 1as dzexams - Mar 01 2022

technologie cours devoirs et compositions profitez d un accès facile et rapide aux meilleurs documents cours exercices et sujets d examens de technologie pour les élèves et enseignants de 1ère année secondaire et préparez vous efficacement pour réussir vos examens technologie génie Électrique 47 technologie génie civil

les techniques de l as les fiches pratiques de l download - Jan 31 2022

les techniques de l as les fiches pratiques de l traité des sciences et des techniques de la formation le corbusier report of the military board of allied supply conference canadian society for civil engineering annuaire européen national library of medicine current catalog

les techniques de l as les fiches pratiques de l - Oct 08 2022

les techniques de l as les fiches pratiques de l 1 les techniques de l as les fiches pratiques de l treaty series 2524 la fermentation malolactique dans les vins mécanismes et applications pratiques les industries lithiques taillées de franchthi

argolide grèce volume 3 fiabilité diagnostic et maintenance des systèmes

les techniques de l as les fiches pratiques de l book - Sep 07 2022

les techniques de l as les fiches pratiques de l supplement to the official journal of the european communities jan 23 2022

xiiiith international dairy congress apr 13 2021 comment bien caresser le clitoris la technique de l excitation à la main

devenez le meilleur amant feb 04 2023

les techniques de l as les fiches pratiques de l download - Mar 13 2023

les techniques de l as les fiches pratiques de l parlons affaires initiation au français economique et commercial dec 31 2019

current in depth and flexible parlons affaires systematically discusses french business practices and culture while delivering a wealth of supporting material for readers the program covers

the basque poetic tradition library bdb bertsolaritza database - Oct 05 2022

web the basque poetic tradition book basque english library collection author s aulestia gorka title the basque poetic

tradition gorka aulestia translated by linda white foreword by linda white publication reno nevada university of nevada press

2000 collection the basque series subjects bertsolaritza

the basque poetic tradition basque series hardcover - Mar 10 2023

web buy the basque poetic tradition basque series illustrated by gorka aulestia linda white isbn 9780874172836 from amazon s book store everyday low prices and free delivery on eligible orders

the basque poetic tradition unpress nevada edu - Dec 07 2022

web renowned basque literary scholar gorka aulestia continues his path breaking study of the literary heritage of the basque people in this collection of fourte

the basque poetic tradition the basque series hardcover - Jul 02 2022

web amazon in buy the basque poetic tradition the basque series book online at best prices in india on amazon in read the

basque poetic tradition the basque series book reviews author details and more at amazon in free delivery on qualified orders

the basque poetic tradition the basque series abebooks - Sep 04 2022

web abebooks com the basque poetic tradition the basque series 262 pages 9 75x6 25x1 00 inches in stock the basque poetic tradition the basque series by gorka aulestia linda white brand new hardcover 2000 revaluation books

the basque poetic tradition gorka aulestia google books - Jan 08 2023

web renowned basque literary scholar gorka aulestia continues his path breaking study of the literary heritage of the basque people in this collection of fourteen essays he considers the legacy

the basque poetic tradition the basque series amazon com tr - Aug 15 2023

web the basque poetic tradition the basque series aulestia gorka amazon com tr kitap

the basque poetic tradition the basque series open library - May 12 2023

web the basque poetic tradition the basque series by gorka aulestia july 2000 university of nevada press edition hardcover in english

the basque poetic tradition basque series hardcover - Feb 09 2023

web this volume introduces readers to the history of basque poetry from bernard detxepare 1545 to the basque country s modern writers these essays include a survey of basque poetry and discussions of the oral tradition of bertolaritza in the

the basque poetic tradition the basque series - Jun 01 2022

web the basque poetic tradition the basque series isbn 9780874172836 0874172837 by aulestia gorka white linda buy sell or rent this book for the best price compare prices on bookscouter

the basque poetic tradition the basque series iberlibro com - Mar 30 2022

web the basque poetic tradition the basque series de aulestia gorka white linda en iberlibro com isbn 10 0874172837 isbn 13 9780874172836 university of nevada press 2000 tapa dura

the basque poetic tradition the basque series linda white - Dec 27 2021

web the basque poetic tradition the basque series linda white search for free books by author name in this elaborate list of authors poets playwrights philosophers and essayists as diverse as aesop shakespeare washington irving hans christian andersen victor hugo tolstoy yeats and willa cather

basque poetic tradition the basque museum cultural center boise - Feb 26 2022

web in this collection of fourteen essays he considers the legacy of great basque poets and their contributions to the tradition influence on successive poets and their place in the world s poetry scene

basque the storygraph - Apr 30 2022

web basque poetic tradition basque linda white gorka aulestia 280 pages missing pub info isbn uid 9780874172836 format hardcover language english publisher university of nevada press publication date 01 june 2000 nonfiction history literary poetry medium paced nonfiction

the basque poetic tradition the basque series librarything - Apr 11 2023

web renowned basque literary scholar gorka aulestia continues his path breaking study of the literary heritage of the basque people in this collection of fourteen essays he considers the legacy of great basque poets and their contributions to the tradition influence on successive poets and their place in the

the basque poetic tradition by gorka aulestia goodreads - Nov 06 2022

web renowned basque literary scholar gorka aulestia continues his path breaking study of the literary heritage of the basque people in this collection of fourteen essays he considers the legacy of great basque poets and their contributions to the

tradition influence on successive poets and their place in the world s poetry scene

the basque poetic tradition the basque series abebooks - Jul 14 2023

web in this collection of fourteen essays he considers the legacy of great basque poets and their contributions to the tradition influence on successive poets and their place in the world s poetry scene

the basque poetic tradition the basque series amazon de - Aug 03 2022

web the basque poetic tradition the basque series alestia gorka isbn 9780874172836 kostenloser versand für alle bücher mit versand und verkauf duch amazon

the basque poetic tradition basque series htaccess guide - Jan 28 2022

web mar 19 2023 traditions of heroic and epic poetry the traditions robert auty 1980 improvisational poetry from the basque country gorka alestia 1995 alestia takes a scholarly and in depth look at the art of the bertsolari in a fascinating text the author examines the history of a tradition that is truly unique and completely basque

amazon com the basque poetic tradition the basque series - Jun 13 2023

web jul 1 2000 amazon com the basque poetic tradition the basque series 9780874172836 alestia gorka white linda books