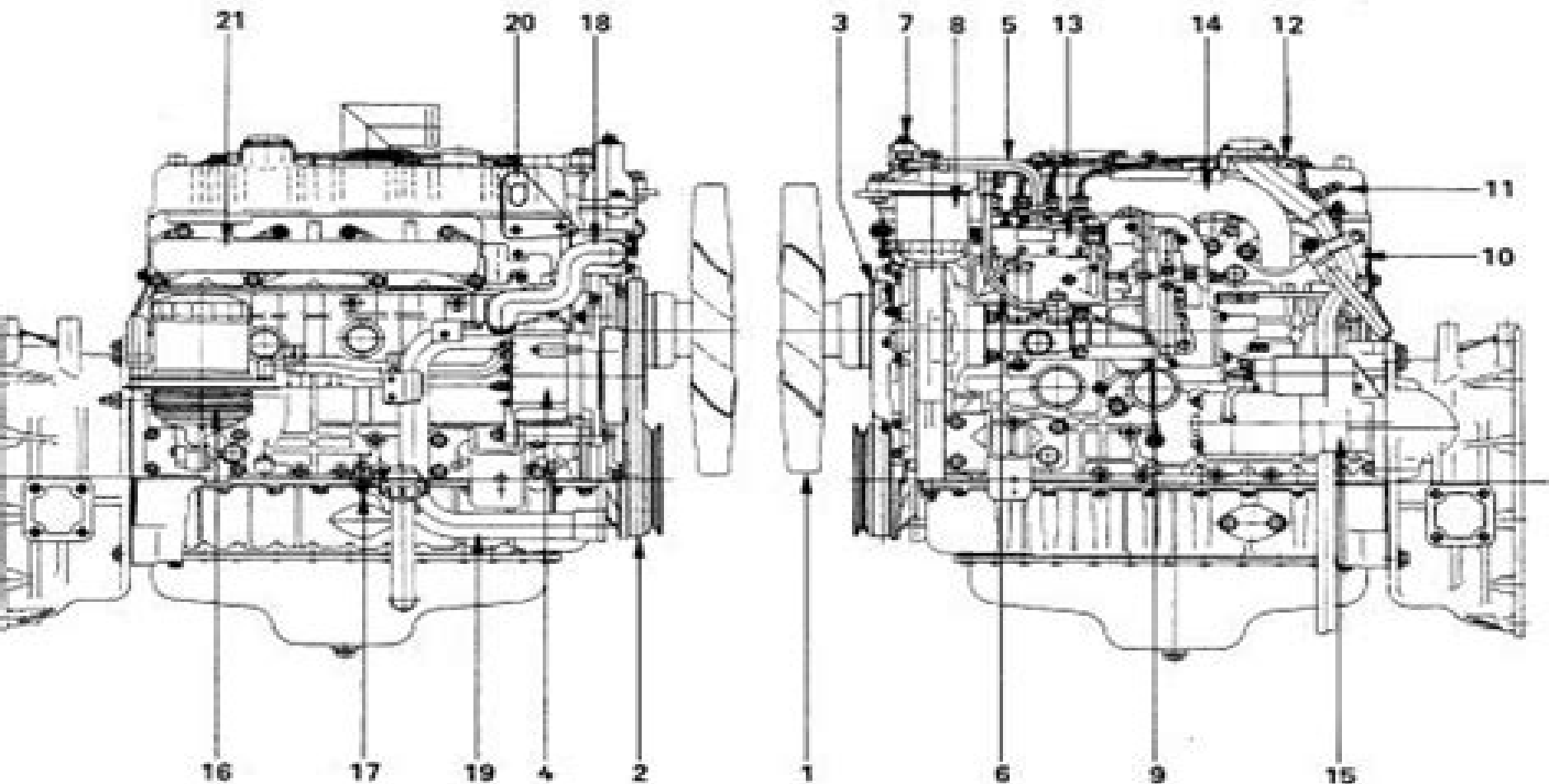


SERVICE MANUAL

4JB1 ISUZU

ENGINES



Isuzu Engine Repair Manual

Wenbin Ji



Isuzu Engine Repair Manual:

Isuzu Workshop Manual G161Z Gasoline Engine (workshop Manual). Isuzu Motors Limited,1975* Isuzu Workshop Manual Gasoline Engine G161Z, G180Z Models Isuzu Motors Limited, **Crown's Diesel Repair Manual** Morton J. Schultz,1984 Practical manual on diesel engines covers general troubleshooting repair maintenance **Isuzu Workshop Manual** ,1986* Chilton's Diesel Engine Service Manual, 1984 John H. Weise,1984 **Engine Electricals - All Models Workshop Manual** Isuzu Motors Limited,1980 **Glenn's Foreign Car Repair Manual** Harold T. Glenn,1963 *Isuzu Workshop Manual* Isuzu Jidōsha Kabushiki Kaisha. Service Department. Overseas Sales Division,1982 G161Z engine also in Holden Gemini TC TD and TE models and 1981 2 model Rodeo G180Z engine in 1983 85 Rodeo not the same for the TF model same size engine but revs and BHP different **How To Rebuild and Modify Your Manual Transmission** Robert Bowen, This resource explains how to rebuild and modify transmissions from both rear and front wheel drive cars It explains the principles behind the workings of all manual transmissions and helps readers understand what they need to do and know to rebuild their own transmissions Includes how to determine what parts to replace how and why to replace certain seals spacers springs forks and other parts and where to find and how to measure the specifications for each particular transmission **Workshop Manual for the Isuzu Diesel Engine** Isuzu Jidōsha Kabushiki Kaisha,Isuzu Motors,1971 **Chilton's Auto Repair Manual, 1983** Chilton Automotive Books,1982 Guide to maintenance and repair of every mass produced American car made between 1976 and 1983 *Workshop Manual for the Isuzu Diesel Engine* Isuzu Motors,1971 For 6 cylinder trucks produced in 1973 Chilton's Repair Manual ,1991 **General Motors N-cars Automotive Repair Manual** Richard Lindwall,John Harold Haynes,1995 GM N Cars 1985 95 Shop Manual Haynes 376 pgs 902 ill Motor Imported Car Repair Manual ,1987 *Chilton's Import Car Repair Manual* Chilton Automotive Editorial Staff,Chilton Book Company,1979 This book includes repair information on cars and light trucks Includes specifications tune ups troubleshooting and diagnosis engine rebuilding emissions controls brakes transmissions and more *Workshop Manual for Isuzu C221 Diesel Engine* Isuzu Motors Limited,1972* *ISUZU Workshop Manual* Isuzu Jidōsha Kabushiki Kaisha,1981 *Chilton's Import Car Repair Manual, 1975-81* Chilton Automotive Books,1981-04 Each section contains car identification service procedures and specifications Areas covered include electrical system engine rebuilding troubleshooting cooling systems emission controls fuel systems transmissions turbocharging diesel engines clutches transaxles differentials suspension steering brakes and fuel injection **General Motors A-cars Automotive Repair Manual** Larry Warren,Doug Dodge,John Harold Haynes,1992

This Enthralling World of Kindle Books: A Thorough Guide Revealing the Pros of Kindle Books: A World of Ease and Versatility Kindle books, with their inherent mobility and ease of availability, have liberated readers from the constraints of physical books. Done are the days of lugging cumbersome novels or carefully searching for specific titles in shops. E-book devices, sleek and lightweight, seamlessly store an wide library of books, allowing readers to indulge in their preferred reads anytime, anywhere. Whether traveling on a bustling train, relaxing on a sun-kissed beach, or just cozying up in bed, E-book books provide an exceptional level of ease. A Literary Universe Unfolded: Exploring the Vast Array of Kindle Isuzu Engine Repair Manual Isuzu Engine Repair Manual The Kindle Shop, a virtual treasure trove of bookish gems, boasts an wide collection of books spanning diverse genres, catering to every readers preference and preference. From gripping fiction and mind-stimulating non-fiction to timeless classics and modern bestsellers, the Kindle Shop offers an unparalleled abundance of titles to explore. Whether seeking escape through engrossing tales of fantasy and adventure, diving into the depths of past narratives, or broadening ones understanding with insightful works of scientific and philosophy, the Kindle Store provides a gateway to a literary universe brimming with endless possibilities. A Transformative Factor in the Bookish Landscape: The Lasting Influence of Kindle Books Isuzu Engine Repair Manual The advent of E-book books has undoubtedly reshaped the literary scene, introducing a model shift in the way books are released, disseminated, and consumed. Traditional publication houses have embraced the online revolution, adapting their strategies to accommodate the growing demand for e-books. This has led to a rise in the availability of Kindle titles, ensuring that readers have entry to a vast array of literary works at their fingertips. Moreover, Kindle books have democratized access to books, breaking down geographical limits and offering readers worldwide with similar opportunities to engage with the written word. Irrespective of their location or socioeconomic background, individuals can now immerse themselves in the intriguing world of books, fostering a global community of readers. Conclusion: Embracing the E-book Experience Isuzu Engine Repair Manual Kindle books Isuzu Engine Repair Manual, with their inherent convenience, versatility, and vast array of titles, have undoubtedly transformed the way we encounter literature. They offer readers the freedom to discover the limitless realm of written expression, anytime, anywhere. As we continue to navigate the ever-evolving online scene, Kindle books stand as testament to the enduring power of storytelling, ensuring that the joy of reading remains accessible to all.

https://py.bijouxmedusa.com/About/uploaded-files/fetch.php/Standard_Costing_And_Variance_Analysis_Link_Springer.pdf

Table of Contents Isuzu Engine Repair Manual

1. Understanding the eBook Isuzu Engine Repair Manual
 - The Rise of Digital Reading Isuzu Engine Repair Manual
 - Advantages of eBooks Over Traditional Books
2. Identifying Isuzu Engine Repair Manual
 - Exploring Different Genres
 - Considering Fiction vs. Non-Fiction
 - Determining Your Reading Goals
3. Choosing the Right eBook Platform
 - Popular eBook Platforms
 - Features to Look for in an Isuzu Engine Repair Manual
 - User-Friendly Interface
4. Exploring eBook Recommendations from Isuzu Engine Repair Manual
 - Personalized Recommendations
 - Isuzu Engine Repair Manual User Reviews and Ratings
 - Isuzu Engine Repair Manual and Bestseller Lists
5. Accessing Isuzu Engine Repair Manual Free and Paid eBooks
 - Isuzu Engine Repair Manual Public Domain eBooks
 - Isuzu Engine Repair Manual eBook Subscription Services
 - Isuzu Engine Repair Manual Budget-Friendly Options
6. Navigating Isuzu Engine Repair Manual eBook Formats
 - ePub, PDF, MOBI, and More
 - Isuzu Engine Repair Manual Compatibility with Devices
 - Isuzu Engine Repair Manual Enhanced eBook Features
7. Enhancing Your Reading Experience
 - Adjustable Fonts and Text Sizes of Isuzu Engine Repair Manual
 - Highlighting and Note-Taking Isuzu Engine Repair Manual
 - Interactive Elements Isuzu Engine Repair Manual
8. Staying Engaged with Isuzu Engine Repair Manual

- Joining Online Reading Communities
 - Participating in Virtual Book Clubs
 - Following Authors and Publishers Isuzu Engine Repair Manual
9. Balancing eBooks and Physical Books Isuzu Engine Repair Manual
- Benefits of a Digital Library
 - Creating a Diverse Reading Collection Isuzu Engine Repair Manual
10. Overcoming Reading Challenges
- Dealing with Digital Eye Strain
 - Minimizing Distractions
 - Managing Screen Time
11. Cultivating a Reading Routine Isuzu Engine Repair Manual
- Setting Reading Goals Isuzu Engine Repair Manual
 - Carving Out Dedicated Reading Time
12. Sourcing Reliable Information of Isuzu Engine Repair Manual
- Fact-Checking eBook Content of Isuzu Engine Repair Manual
 - Distinguishing Credible Sources
13. Promoting Lifelong Learning
- Utilizing eBooks for Skill Development
 - Exploring Educational eBooks
14. Embracing eBook Trends
- Integration of Multimedia Elements
 - Interactive and Gamified eBooks

Isuzu Engine Repair Manual Introduction

In this digital age, the convenience of accessing information at our fingertips has become a necessity. Whether its research papers, eBooks, or user manuals, PDF files have become the preferred format for sharing and reading documents. However, the cost associated with purchasing PDF files can sometimes be a barrier for many individuals and organizations. Thankfully, there are numerous websites and platforms that allow users to download free PDF files legally. In this article, we will explore some of the best platforms to download free PDFs. One of the most popular platforms to download free PDF files is Project Gutenberg. This online library offers over 60,000 free eBooks that are in the public domain. From classic literature to

historical documents, Project Gutenberg provides a wide range of PDF files that can be downloaded and enjoyed on various devices. The website is user-friendly and allows users to search for specific titles or browse through different categories. Another reliable platform for downloading Isuzu Engine Repair Manual free PDF files is Open Library. With its vast collection of over 1 million eBooks, Open Library has something for every reader. The website offers a seamless experience by providing options to borrow or download PDF files. Users simply need to create a free account to access this treasure trove of knowledge. Open Library also allows users to contribute by uploading and sharing their own PDF files, making it a collaborative platform for book enthusiasts. For those interested in academic resources, there are websites dedicated to providing free PDFs of research papers and scientific articles. One such website is Academia.edu, which allows researchers and scholars to share their work with a global audience. Users can download PDF files of research papers, theses, and dissertations covering a wide range of subjects. Academia.edu also provides a platform for discussions and networking within the academic community. When it comes to downloading Isuzu Engine Repair Manual free PDF files of magazines, brochures, and catalogs, Issuu is a popular choice. This digital publishing platform hosts a vast collection of publications from around the world. Users can search for specific titles or explore various categories and genres. Issuu offers a seamless reading experience with its user-friendly interface and allows users to download PDF files for offline reading. Apart from dedicated platforms, search engines also play a crucial role in finding free PDF files. Google, for instance, has an advanced search feature that allows users to filter results by file type. By specifying the file type as "PDF," users can find websites that offer free PDF downloads on a specific topic. While downloading Isuzu Engine Repair Manual free PDF files is convenient, it's important to note that copyright laws must be respected. Always ensure that the PDF files you download are legally available for free. Many authors and publishers voluntarily provide free PDF versions of their work, but it's essential to be cautious and verify the authenticity of the source before downloading Isuzu Engine Repair Manual. In conclusion, the internet offers numerous platforms and websites that allow users to download free PDF files legally. Whether it's classic literature, research papers, or magazines, there is something for everyone. The platforms mentioned in this article, such as Project Gutenberg, Open Library, Academia.edu, and Issuu, provide access to a vast collection of PDF files. However, users should always be cautious and verify the legality of the source before downloading Isuzu Engine Repair Manual any PDF files. With these platforms, the world of PDF downloads is just a click away.

FAQs About Isuzu Engine Repair Manual Books

How do I know which eBook platform is the best for me? Finding the best eBook platform depends on your reading preferences and device compatibility. Research different platforms, read user reviews, and explore their features before

making a choice. Are free eBooks of good quality? Yes, many reputable platforms offer high-quality free eBooks, including classics and public domain works. However, make sure to verify the source to ensure the eBook credibility. Can I read eBooks without an eReader? Absolutely! Most eBook platforms offer webbased readers or mobile apps that allow you to read eBooks on your computer, tablet, or smartphone. How do I avoid digital eye strain while reading eBooks? To prevent digital eye strain, take regular breaks, adjust the font size and background color, and ensure proper lighting while reading eBooks. What the advantage of interactive eBooks? Interactive eBooks incorporate multimedia elements, quizzes, and activities, enhancing the reader engagement and providing a more immersive learning experience. Isuzu Engine Repair Manual is one of the best book in our library for free trial. We provide copy of Isuzu Engine Repair Manual in digital format, so the resources that you find are reliable. There are also many Ebooks of related with Isuzu Engine Repair Manual. Where to download Isuzu Engine Repair Manual online for free? Are you looking for Isuzu Engine Repair Manual PDF? This is definitely going to save you time and cash in something you should think about. If you trying to find then search around for online. Without a doubt there are numerous these available and many of them have the freedom. However without doubt you receive whatever you purchase. An alternate way to get ideas is always to check another Isuzu Engine Repair Manual. This method for see exactly what may be included and adopt these ideas to your book. This site will almost certainly help you save time and effort, money and stress. If you are looking for free books then you really should consider finding to assist you try this. Several of Isuzu Engine Repair Manual are for sale to free while some are payable. If you arent sure if the books you would like to download works with for usage along with your computer, it is possible to download free trials. The free guides make it easy for someone to free access online library for download books to your device. You can get free download on free trial for lots of books categories. Our library is the biggest of these that have literally hundreds of thousands of different products categories represented. You will also see that there are specific sites catered to different product types or categories, brands or niches related with Isuzu Engine Repair Manual. So depending on what exactly you are searching, you will be able to choose e books to suit your own need. Need to access completely for Campbell Biology Seventh Edition book? Access Ebook without any digging. And by having access to our ebook online or by storing it on your computer, you have convenient answers with Isuzu Engine Repair Manual To get started finding Isuzu Engine Repair Manual, you are right to find our website which has a comprehensive collection of books online. Our library is the biggest of these that have literally hundreds of thousands of different products represented. You will also see that there are specific sites catered to different categories or niches related with Isuzu Engine Repair Manual So depending on what exactly you are searching, you will be able tochoose ebook to suit your own need. Thank you for reading Isuzu Engine Repair Manual. Maybe you have knowledge that, people have search numerous times for their favorite readings like this Isuzu Engine Repair Manual, but end up in harmful downloads. Rather than reading a good book with a cup of coffee in the afternoon, instead they juggled with some

harmful bugs inside their laptop. Isuzu Engine Repair Manual is available in our book collection an online access to it is set as public so you can download it instantly. Our digital library spans in multiple locations, allowing you to get the most less latency time to download any of our books like this one. Merely said, Isuzu Engine Repair Manual is universally compatible with any devices to read.

Find Isuzu Engine Repair Manual :

standard costing and variance analysis link springer

~~studyguide for corporate governance principles policies and practices by bob tricker isbn 97801996~~

~~sufi path of love the spiritual teachings rumi~~

~~student companion book epub book~~

~~*statistics for economics an intuitive approach*~~

~~structural analysis 2 nptel~~

~~structural engineer pocket~~

~~succubus blues georgina kincaid 1 richelle mead pdf download~~

study guide and intervention answer key geometry

static and mechanics of materials si units hibbeler instructors solution manual

stephen king salem press

strikkeoppskrifter vatter gratis

~~statics and strength of materials~~

~~*stolen women in medieval england rape abduction and adultery 1100 1500 cambridge studies in medieval life and thought fourth series*~~

~~surgical metabolism the metabolic care of the surgical patient~~

Isuzu Engine Repair Manual :

The Trustee's Manual: 10 Rules for Church Leaders ... The Trustee's Manual provides church leaders with 10 Biblical rules than help church leadership become effective leaders and follow the Words of Christ. Jesus ... Handbook of Policies, Procedures, and Fees Jan 23, 2018 — BOARD OF TRUSTEES. Beulah Missionary Baptist Church. The Reverend Jerry D. Black, Pastor. Handbook of Policies,. Procedures, and Fees. January ... The Work of the Church Trustee by Tibbetts, Orlando L. This comprehensive guide will deepen and broaden the trustee's sense of ministry and mission in his or her service to the

church. It covers every facet of ... Trustees Handbook Jan 19, 2017 — - Specific responsibilities shared by the boards include: stewardship; effective cooperation and coordination of board activities; communication ... HOW TO BE A TRUSTEE IN A CHURCH FIRST EDITION ... This booklet is our attempt at 'the idiot's guide' to being a trustee in a vineyard church. Let me say now that our trustees in no way deserve the title of ... WORK OF THE CHURCH TRUSTEE ... trustee's sense of ministry and mission in his/her service to the church. An excellent tool for new or experienced board members, this book covers every ... RESPONSIBILITIES OF CHURCH TRUSTEES The following is a sample list of what might be reflected in a church constitution: The Trustees shall be responsible for all legal obligations for the church ... Trustees Manual Review annually the adequacy of property, liability, crime and insurance coverage on church-owned property, buildings and equipment. 4. Review annually the ... Baptist Handbook F Baptist Handbook For Church ... For many years I have felt the need of a small book on church membership, written from the viewpoint of an independent Baptist, to place in the hands of members ... BUGB Trustee Board Governance Handbook This handbook is intended to be used as a reference tool for the Trustees of the Baptist Union of Great Britain (BUGB), the charitable body behind Baptists ... Castellano Y Literatura 9 Helena Azpurua; Marianina Alfonso Descripción. "CASTELLANO Y LITERATURA 9no Grado (3er Año)" * Editorial: Terra Editores * Condición: Usado en perfectas condiciones de uso. Castellano y literatura 9 / Helena Azpurua, Marianina Alfonso. Publisher: Caracas : Oxford University Press Venezuela, 1999 ; Edition: 1a. ed. ; Description: 215 p. : il. col. ; 27 cm. ; ISBN: 9803700138. ; Subject(s): ... Castellano Y Literatura 9 Actualidad | MercadoLibre Castellano Y Literatura 9 / Helena Azpurua - M. Alfonso -. U\$S7 ... Castellano y literatura 9 | ISBN 978-980-6189-68-3 - Libro Autor: Helena Azpurua de Alfonso, Materia: Gramática española, ISBN: 978-980-6189-68-3. LIBRO CASTELLANO Y LIT 9NO AZPURUA TERRA alternate_email Contáctenos · place Encontrar sucursales; schedule Llámenos ahora: 02618150119; +58 424 6340208 · Papelería Esteva. more_horiz. Enseñanza educación básica 9no. año. Castellano y literatura : cuaderno didáctico para aprender a aprender, 9no. ... Castellano y literatura 9 / Helena Azpurua ; Marianina Alfonso. by Azpurua ... Redalyc.La imagen de la ciudad en libros de texto ... by C Aranguren · 2009 · Cited by 2 — Azpúrua, Helena y Alfonso, Marianina (2004). Castellano y Literatura. 9° grado. Estado Miranda. Terra Editores. Grupo Editorial Girasol. Referencias. ARANGUREN ... Agencias ISBN << - Cenal Castellano y literatura 9. Autor:Azpurua de Alfonso, Helena Editorial:Editorial Girasol Materia:Gramática española. Publicado:2001-06-01. ISBN 978-980-6189-67 ... Castellano y Literatura 9 - Maracaibo CASTELLANO Y LITERATURA 9. Azpurua - Alfonso, Terra Editores Código del producto: 21068. Textos Escolares | Primaria | Castellano, Literatura, Lectura Y ... Me and My Feelings: A Kids' Guide to Understanding and ... This book gives kids the skills to stay in control—by breathing deeply, saying positive things to themselves, talking about their feelings instead of keeping ... Me and My Feelings: A Kids' Guide to Understanding ... Amazon.com: Me and My Feelings: A Kids' Guide to Understanding and Expressing Themselves eBook : Allen M.Ed. NBCT, Vanessa Green : Kindle Store. Me and My Feelings | Book by Vanessa Green Allen MEd ... This book gives kids the skills to

stay in control—by breathing deeply, saying positive things to themselves, talking about their feelings instead of keeping ... Me and My Feelings: A Kids' Guide to Understanding and ... This book shows you how to stay in control—by breathing deeply, saying positive things to yourself, talking about your feelings, and more. You'll learn to deal ... Me and My Feelings: A Kids' Guide to Understanding and ... Sep 17, 2019 — Me and My Feelings is a good book to help children learn and understand their feelings, emotions, and how to express them in healthy ways. Eye- ... Me And My Feelings - By Vanessa Green Allen (paperback) ... children. This kid-friendly, interactive collection of lessons and activities will help children learn how to manage their emotions--and themselves."--Amie ... Me and My Feelings: A Kids' Guide to ... - nature+nurture This book shows you how to stay in control—by breathing deeply, saying positive things to yourself, talking about your feelings, and more. You'll learn to deal ... Me and My Feelings: A Kids' Guide to Understanding ... This book gives kids the skills to stay in control—by breathing deeply, saying positive things to themselves, talking about their feelings instead of keeping ... Me and My Feelings: A Kids' Guide to Understanding and ... This book shows you how to stay in control - by breathing deeply, saying positive things to yourself, talking about your feelings, and more. You'll learn to ... Me and My Feelings: A Kids' Guide to Understanding... Me and My Feelings: A Kids' Guide to Understanding... by Vanessa Green Allen. \$9.99. Select Format. Format: Paperback (\$4.59 - \$9.99). Select Condition ...