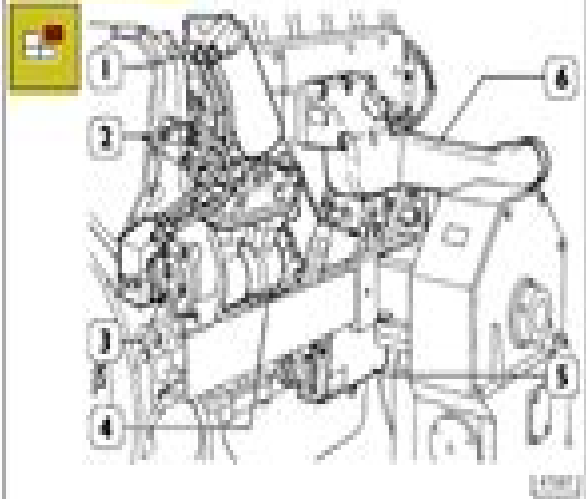


Message (closed) X

Thumbnail navigation strip with 6 images.

Aquila Trucks Centres

Figure 33



Remove the following components: inlet manifold (6); support for fuel filter (1); fuel lines (2); fuel pump (3); compressor (4); control unit (5).

Figure 34

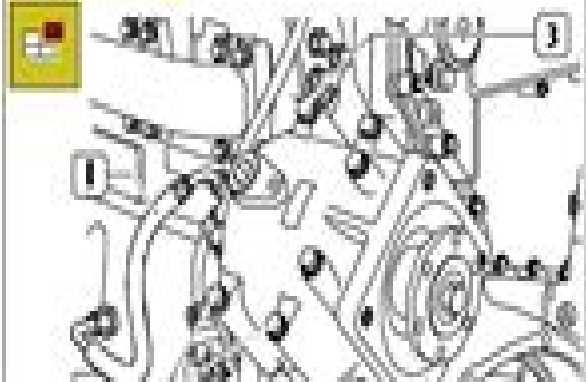
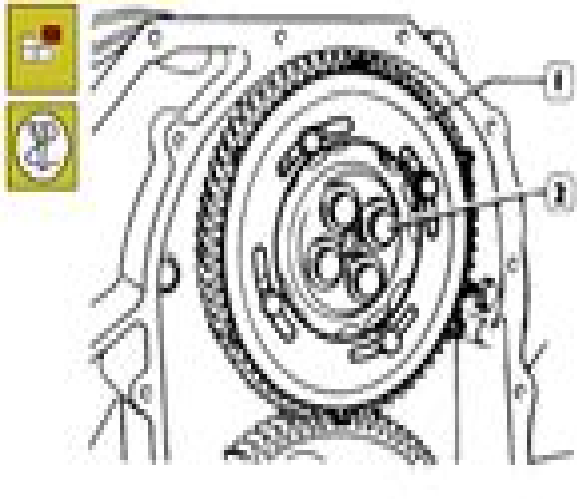


Figure 35



Unscrew the screws (2), by using the proper wrench and remove the gear (1) with the pneumatic wheel.

Figure 37



Iveco Service Manual 50c15

Aktiebolaget Volvo.



Iveco Service Manual 50c15:

Engine D 100, TD 100 ,1974 Service Manual for International Trucks International Harvester Company of Australia,1973 *International truck service manual* International Harvester,1971 *Chilton's Truck & Van Service Manual* Chilton Automotive Information,1995 *Service Manual* ,2022 Chilton's Professional Truck and Van Service Manual ,1976 *Service Manual* Caterpillar Tractor Company,1979 Trucks Service Manual Aktiebolaget Volvo.,1974 Service Manual ,2021 **Service Manual International Trucks 'AA' - Line** ,1959 **Service Manual** ,2022 Chilton's Truck Service Manual, Medium/heavy Duty Diesel Engines Controls/repairs ,19?? **Chilton's Truck and Van Service Manual** ,1984 **Service Manual International Trucks AR-line AL-line** ,1955 **Service Manual** White Motor Corporation,1976 *Service Manual International Trucks 'AS' Line* ,1958 *Daimler 2.5 V8 and 250 Saloon Service Manual* Brooklands Books,2009-01-12 **Trucks Service Manual** Aktiebolaget Volvo.,1968 *Trucks Service Manual* ,1975 **Service Manual, 3306 Diesel Truck Engine** ,1980

Getting the books **Iveco Service Manual 50c15** now is not type of inspiring means. You could not by yourself going like book buildup or library or borrowing from your links to gain access to them. This is an completely easy means to specifically get lead by on-line. This online revelation Iveco Service Manual 50c15 can be one of the options to accompany you in the same way as having further time.

It will not waste your time. tolerate me, the e-book will certainly appearance you extra business to read. Just invest tiny get older to entre this on-line statement **Iveco Service Manual 50c15** as competently as review them wherever you are now.

https://py.bijouxmedusa.com/results/publication/Documents/Zimsec_O_Level_Maths_Past_Exam_Papers.pdf

Table of Contents Iveco Service Manual 50c15

1. Understanding the eBook Iveco Service Manual 50c15
 - The Rise of Digital Reading Iveco Service Manual 50c15
 - Advantages of eBooks Over Traditional Books
2. Identifying Iveco Service Manual 50c15
 - Exploring Different Genres
 - Considering Fiction vs. Non-Fiction
 - Determining Your Reading Goals
3. Choosing the Right eBook Platform
 - Popular eBook Platforms
 - Features to Look for in an Iveco Service Manual 50c15
 - User-Friendly Interface
4. Exploring eBook Recommendations from Iveco Service Manual 50c15
 - Personalized Recommendations
 - Iveco Service Manual 50c15 User Reviews and Ratings
 - Iveco Service Manual 50c15 and Bestseller Lists
5. Accessing Iveco Service Manual 50c15 Free and Paid eBooks

- Iveco Service Manual 50c15 Public Domain eBooks
 - Iveco Service Manual 50c15 eBook Subscription Services
 - Iveco Service Manual 50c15 Budget-Friendly Options
6. Navigating Iveco Service Manual 50c15 eBook Formats
 - ePub, PDF, MOBI, and More
 - Iveco Service Manual 50c15 Compatibility with Devices
 - Iveco Service Manual 50c15 Enhanced eBook Features
 7. Enhancing Your Reading Experience
 - Adjustable Fonts and Text Sizes of Iveco Service Manual 50c15
 - Highlighting and Note-Taking Iveco Service Manual 50c15
 - Interactive Elements Iveco Service Manual 50c15
 8. Staying Engaged with Iveco Service Manual 50c15
 - Joining Online Reading Communities
 - Participating in Virtual Book Clubs
 - Following Authors and Publishers Iveco Service Manual 50c15
 9. Balancing eBooks and Physical Books Iveco Service Manual 50c15
 - Benefits of a Digital Library
 - Creating a Diverse Reading Collection Iveco Service Manual 50c15
 10. Overcoming Reading Challenges
 - Dealing with Digital Eye Strain
 - Minimizing Distractions
 - Managing Screen Time
 11. Cultivating a Reading Routine Iveco Service Manual 50c15
 - Setting Reading Goals Iveco Service Manual 50c15
 - Carving Out Dedicated Reading Time
 12. Sourcing Reliable Information of Iveco Service Manual 50c15
 - Fact-Checking eBook Content of Iveco Service Manual 50c15
 - Distinguishing Credible Sources
 13. Promoting Lifelong Learning
 - Utilizing eBooks for Skill Development

- Exploring Educational eBooks
14. Embracing eBook Trends
- Integration of Multimedia Elements
 - Interactive and Gamified eBooks

Iveco Service Manual 50c15 Introduction

In today's digital age, the availability of Iveco Service Manual 50c15 books and manuals for download has revolutionized the way we access information. Gone are the days of physically flipping through pages and carrying heavy textbooks or manuals. With just a few clicks, we can now access a wealth of knowledge from the comfort of our own homes or on the go. This article will explore the advantages of Iveco Service Manual 50c15 books and manuals for download, along with some popular platforms that offer these resources. One of the significant advantages of Iveco Service Manual 50c15 books and manuals for download is the cost-saving aspect. Traditional books and manuals can be costly, especially if you need to purchase several of them for educational or professional purposes. By accessing Iveco Service Manual 50c15 versions, you eliminate the need to spend money on physical copies. This not only saves you money but also reduces the environmental impact associated with book production and transportation. Furthermore, Iveco Service Manual 50c15 books and manuals for download are incredibly convenient. With just a computer or smartphone and an internet connection, you can access a vast library of resources on any subject imaginable. Whether you're a student looking for textbooks, a professional seeking industry-specific manuals, or someone interested in self-improvement, these digital resources provide an efficient and accessible means of acquiring knowledge. Moreover, PDF books and manuals offer a range of benefits compared to other digital formats. PDF files are designed to retain their formatting regardless of the device used to open them. This ensures that the content appears exactly as intended by the author, with no loss of formatting or missing graphics. Additionally, PDF files can be easily annotated, bookmarked, and searched for specific terms, making them highly practical for studying or referencing. When it comes to accessing Iveco Service Manual 50c15 books and manuals, several platforms offer an extensive collection of resources. One such platform is Project Gutenberg, a nonprofit organization that provides over 60,000 free eBooks. These books are primarily in the public domain, meaning they can be freely distributed and downloaded. Project Gutenberg offers a wide range of classic literature, making it an excellent resource for literature enthusiasts. Another popular platform for Iveco Service Manual 50c15 books and manuals is Open Library. Open Library is an initiative of the Internet Archive, a non-profit organization dedicated to digitizing cultural artifacts and making them accessible to the public. Open Library hosts millions of books, including both public domain works and contemporary titles. It also allows users to borrow digital copies of certain books for a limited period, similar to a library lending system. Additionally, many universities and educational institutions

have their own digital libraries that provide free access to PDF books and manuals. These libraries often offer academic texts, research papers, and technical manuals, making them invaluable resources for students and researchers. Some notable examples include MIT OpenCourseWare, which offers free access to course materials from the Massachusetts Institute of Technology, and the Digital Public Library of America, which provides a vast collection of digitized books and historical documents. In conclusion, Iveco Service Manual 50c15 books and manuals for download have transformed the way we access information. They provide a cost-effective and convenient means of acquiring knowledge, offering the ability to access a vast library of resources at our fingertips. With platforms like Project Gutenberg, Open Library, and various digital libraries offered by educational institutions, we have access to an ever-expanding collection of books and manuals. Whether for educational, professional, or personal purposes, these digital resources serve as valuable tools for continuous learning and self-improvement. So why not take advantage of the vast world of Iveco Service Manual 50c15 books and manuals for download and embark on your journey of knowledge?

FAQs About Iveco Service Manual 50c15 Books

How do I know which eBook platform is the best for me? Finding the best eBook platform depends on your reading preferences and device compatibility. Research different platforms, read user reviews, and explore their features before making a choice. Are free eBooks of good quality? Yes, many reputable platforms offer high-quality free eBooks, including classics and public domain works. However, make sure to verify the source to ensure the eBook credibility. Can I read eBooks without an eReader? Absolutely! Most eBook platforms offer web-based readers or mobile apps that allow you to read eBooks on your computer, tablet, or smartphone. How do I avoid digital eye strain while reading eBooks? To prevent digital eye strain, take regular breaks, adjust the font size and background color, and ensure proper lighting while reading eBooks. What the advantage of interactive eBooks? Interactive eBooks incorporate multimedia elements, quizzes, and activities, enhancing the reader engagement and providing a more immersive learning experience. Iveco Service Manual 50c15 is one of the best book in our library for free trial. We provide copy of Iveco Service Manual 50c15 in digital format, so the resources that you find are reliable. There are also many Ebooks of related with Iveco Service Manual 50c15. Where to download Iveco Service Manual 50c15 online for free? Are you looking for Iveco Service Manual 50c15 PDF? This is definitely going to save you time and cash in something you should think about.

Find Iveco Service Manual 50c15 :

[zimsec o level maths past exam papers](#)

[weight watchers schnelle rezepte](#)

workforce management solution

[wood toy plans creating router templates to make](#)

[wurth wow 5 00 12 2016 full instruction auto repair](#)

who really killed kennedy the ultimate guide to assassination theories 50 years later jerome r corsi**who was a mourner case study answers**

[when rabbit howls](#)

who stole the american dream burke hedges

[wind loading a practical guide to bs 6399 2](#)

[why we make mistakes how we look without seeing forget things in seconds and are all pretty sure we are way above average paperback common](#)

windows developer power tools turbocharge windows development with more than 170 and open source tools jim holmes

[western civilization spielvogel 7th edition](#)

[western civilization 8th edition by jackson j spielvogel](#)

[yale school of management youtube](#)

Iveco Service Manual 50c15 :**45 spanish phrases every super nurse should know - Jun 13 2023**

web 45 spanish phrases every super nurse should know this quick and easy spanish for nurses helps you learn essential spanish you need to know to start helping your spanish speaking patients immediately according to the 2016 census more than 58 2 million spanish speaking people live in the united states if you are a nurse you are most likely

149 spanish medical terms for medical professionals lingua - Jan 08 2023

web it is essential to know as many of the top spanish medical terms for nurses doctors emergency first responders in communities with spanish speakers use these 149 terms commonly used terms in healthcare in order to understand the language and communicate better with patients in case of a medical emergency or routine attention

[50 essential medical phrases for your upcoming physical - Jun 01 2022](#)

web feb 20 2023 [keep reading to learn why you should learn medical spanish terms and phrases the ultimate list with the 50 essential medical phrases divided into useful terms medical phrases for doctors nurses and patients and a section dedicated to common questions and answers join more than 559 million people on the planet who speak](#)

[spanish for nurses practicingspanish com](#) - Jan 28 2022

web spanish for nurses spanish for nurses nurse enfermera page 1 please also review greetings in back to basics page 3a 1a hola soy anabella mucho gusto hello i am anabella nice to meet you note literally mucho gusto means much pleasure 1 por favor pase a la sala número cuatro

[10 spanish phrases every nurse should know emedcert blog](#) - Apr 30 2022

web that having been said while merely knowing a little spanish may be dangerous not knowing any at all is even more dangerous there is no harm in learning how to say a few phrases that you typically say to patients thankfully we ve compiled a list of those phrases for you here are 10 phrases every nurse should know how to say in spanish 1

40 spanish phrases every nurse should know nursebuff - Jul 14 2023

web mar 22 2018 [spanish phrases for nurses to introduce yourself hello my name is and i ll be your nurse hola me llamo y soy su enfermera o what is your name como se llama how old are you cuántos años tiene usted how are you today como esta hoy i don t speak spanish very well no hablo español muy bien](#)

[spanish english terms for nurses by learningexpress goodreads](#) - Feb 26 2022

web packed with more than 1 400 vocabulary words and a spanglish glossary this guide provides medical personnel with the skills to communicate with spanish speaking patients offering basic grammar guidelines useful expressions to facilitate conversation alphabet numbers dimensions colors time expressions physical terminology including parts

[300 useful spanish phrases for healthcare workers language pro](#) - May 12 2023

web mar 19 2018 [here are the top 300 seful spanish words and phrases that can come in handy in a medical setting 300 spanish medical phrases obviously it could take years of study to learn spanish translations for all of the medical lexicon out there but you don t necessarily need to know the specific jargon](#)

[spanish medical terms and phrases for healthcare professionals](#) - Aug 03 2022

web sep 21 2022 [enfermero enfermera these are the masculine and feminine words for the nurse respectively internista this specialist can treat an adult patient with a wide range of symptoms or diseases cirujano cirujana you can use these spanish terms to refer to the professional who can cut you wide open the surgeon](#)

common spanish phrases nurses need to know medely - Feb 09 2023

web dec 27 2019 [below are some common spanish phrases nurses need to know introductory spanish for nurses hello my name is i ll be your nurse hola me llamo soy su enfermera what s your name como se llamó how are you today como está hoy](#)

can you speak english habla ingles i speak a little spanish hablo

pdf spanish for medical professionals essential spanish terms - Jul 02 2022

web feb 3 2021 pdf ebooklibrary pw book 1984008897 simplified medical spanish for healthcare professionalsthis book is specifically created for healthcare professionals in particular physicians physicians assistants nurse practitioners nurses including lvns lpns medical assistants lab technicians and ancillary

spanish english terms for nurses amazon com - Nov 06 2022

web sep 16 2009 spanish english terms for nurses bilingual edition packed with more than 1 400 vocabulary words and a spanish english glossary this guide provides medical personnel with the skills to communicate with spanish speaking patients offering basic grammar guidelines useful expressions to facilitate conversation alphabet numbers

chapter 1 spanish for healthcare workers wiley - Mar 10 2023

web spanish for healthcare workers in this chapter mastering basic terminology and emergency talk dealing with admissions forms and insurance interviewing and examining patients offering a diagnosis and treatment plan as

[25 phrases in spanish for nurses podcast dual spanish](#) - Mar 30 2022

web sep 10 2018 25 phrases in spanish for nurses podcast dual spanish spj 014 in this session we will review a list of 25 common phrases nurses can use to interact with patients in spanish you can listen to the audio here

a vocabulary guide in spanish for nursing professionals - Aug 15 2023

web may 2 2021 a vocabulary guide in spanish for nursing professionals knowing spanish for nursing is highly beneficial if you re a nurse medical professional interpreter or even a layperson looking to learn some spanish medical vocabulary [english spanish terminology handbook for nurses key english spanish](#) - Sep 04 2022

web oct 22 2013 english spanish terminology handbook for nurses key english spanish english terms for healthcare professionals leyva José Luis on amazon com free shipping on qualifying offers english spanish terminology handbook for nurses key english spanish english terms for healthcare

spanish english terms for nurses 2009 edition open library - Dec 07 2022

web spanish english terms for nurses by learningexpress organization 2009 learningexpress edition in english 1st ed

149 spanish medical terms for medical professionals - Apr 11 2023

web jun 25 2020 it is essential to know as many of the top spanish medical terms for nurses doctors emergency first responders in communities with spanish speakers use these 149 terms commonly used terms in healthcare in order to understand the language and communicate better with patients in case of a medical emergency or routine attention

medical spanish 12 resources for healthcare professionals to - Oct 05 2022

web may 22 2023 william c harvey s spanish for health care professionals offers a wide variety of words and phrases

intended for doctors nurses and other health care workers including social workers dentists and optometrists

ce series focuses on essentials of speaking spanish for nurses - Dec 27 2021

web oct 21 2019 the basic spanish for healthcare providers series includes an overview of medical spanish as well as specialty specific terminology allowing you to tailor your learning experience to your specific area of practice

pandora s box opened an examination and defense o 2022 - Sep 05 2022

web pandora s box pandora s box opened pandora s box opened an examination and defense o downloaded from design bluesquare org by guest callum miles pandora s box xlibris corporation the premiere of pandora s box a restricted performance due to difficulties with the censor took place in nuremberg on 1 february 1904 the 1905

pandora s box opened an examination and defense o copy - Nov 07 2022

web pandora s box opened an examination and defense o is universally compatible when any devices to read

pandora s box opened an examination and defense o - Feb 27 2022

web pandora s box opened an examination and defense o opening pandora s box pandora s box the story of v pandora s box aphrodite s tears pandora s box opening pandora s box pandora gets jealous pandora s box opening the pandora s box of religion deconstruction pandora s box has been opened pandora s box pandora s

pandora s box opened an examination and defense of - Jan 09 2023

web find many great new used options and get the best deals for pandora s box opened an examination and defense of historical critical method and its master practitioners by roy a harrisville 2014 trade paperback at the best online prices at ebay

books at a glance review of pandora s box opened - Feb 10 2023

web a review of pandora s box opened an examination and defense of historical critical method and its master practitioners by roy harrisville a book review by patrick schreiner from books at a glance

pandora s box opened an examination and defense o pdf - Jun 02 2022

web may 21 2023 pandora s box opened an examination and defense o 2 4 downloaded from uniport edu ng on may 21 2023 by guest pandora s box julia dweck 2017 06 15 a little girl penguin is different than her brothers when she falls through the ice she finds a golden box she gets it to the surface and tries to open it amidst all the other animals

pandora s box opened an examination and defense of - May 13 2023

web pandora s box opened an examination and defense of historical critical method and its master practitioners ebook written by roy a harrisville read this book using google play books app on your pc android ios devices

pandora s box wikipedia - Dec 28 2021

web in mythology according to hesiod when prometheus stole fire from heaven zeus the king of the gods took vengeance by

presenting pandora to prometheus brother epimetheus pandora opened a jar left in her care containing sickness death and many other unspecified evils which were then released into the world 4

pandora s box opened an examination and defense of - Apr 12 2023

web buy pandora s box opened an examination and defense of historical critical method and its master practitioners by harrisville roy a isbn 9780802869807 from amazon s book store everyday low prices and free delivery on eligible orders

pandora s box definition meaning dictionary com - Jan 29 2022

web pandora s box definition a source of extensive but unforeseen troubles or problems the senate investigation turned out to be a pandora s box for the administration see more

pandora s box opened an examination and defense o pdf - Jul 03 2022

web pandora s box opened an examination and defense o an examination and evaluation of the akron public schools high intensity learning systems hils apr 20 2022 the north carolina library catalog dec 16 2021 physical therapy examination and assessment jan 05 2021 examination clinical reasoning therapeutic interventions

pandora s box opened an examination and defense o pdf full - Mar 11 2023

web pandora s box opened an examination and defense o pdf upload mia a boyle 2 4 downloaded from blog watchshopping com on august 31 2023 by mia a boyle pandora s box land of strife

pandora s box opened an examination and defense of - Aug 16 2023

web in pandora s box opened however roy harrisville argues that despite the evils brought upon biblical interpretation by the historical critical method there is still hope for it as a discipline harrisville begins by describing the emergence and use of

pandora s box opened an examination and defense of - Oct 06 2022

web pandora s box opened an examination and defense of historical critical method and its master practitioners roy a harrisville you can start this course right now without signing up click on any of the course content sections below to start at any point in

pandora s box opened an examination and defense o - May 01 2022

web pandora s box opened an examination and defense o 3 3 possibilities the inclusion of love dice a feather a blindfold 12 illustrated game cards and a sex slave certificate to

pandora s box opened an examination and defense o - Aug 04 2022

web pandora s box opened an examination and defense o open the box dec 17 2021 television viewers are often labelled as addicts or zombies who avidly lap up a daily diet of soap operas and quiz shows this heavily illustrated book breaks down these stereotypes opening the black box of editorship apr 20 2022

pandora s box opened an examination and defense o ftp bonide - Mar 31 2022

web pandora s box opened an examination and defense o opening pandora s box pandora s box pandora the curious pandora s box pandora s book pandora s box pandora s box america as a case study in the harmful effects of religion hercules 11th labor pandora s box demeter and persephone doomed old greek stories ideology

pandora s box opened an examination and defense of historical - Jun 14 2023

web title pandora s box opened an examination and defense of historical critical method and its master practitioners author roy a harrisville publisher eerdmans print publication date 2014 logos release date 2016 pages 368 language englishresources 1 format digital logos research edition

pandora s box opened an examination and defense of - Dec 08 2022

web find helpful customer reviews and review ratings for pandora s box opened an examination and defense of historical critical method and its master practitioners at amazon com read honest and unbiased product reviews from our users

[pandora s box opened an examination and defense of](#) - Jul 15 2023

web aug 9 2014 pandora s box opened an examination and defense of historical critical method and its master practitioners harrisville roy a on amazon com free shipping on qualifying offers pandora s box opened an examination and defense of historical critical method and its master practitioners

franz schubert el joven compositor que creció bajo la sombra de - Aug 07 2022

nov 19 2022 franz peter schubert nació en viena el 31 de enero de 1797 y falleció el 19 de noviembre de 1828 fue un compositor austríaco considerado introductor del romanticismo musical y la forma breve característica pero a la vez también continuador de la sonata clásica siguiendo el modelo de ludwig van beethoven

[franz schubert música letras canciones discos deezer](#) - Mar 14 2023

regístrate en deezer gratis y escucha a franz schubert discografía top canciones y playlists a lyric soprano possessing an uncommonly smooth and powerful tone anna prohaska harnessed the nuances of her voice and embarked on a career that has brought her to opera s most prestigious record

franz schubert filharmonia com - Apr 03 2022

franz schubert 1797 1828 franz peter schubert osztrák zeneszerző volt bécsben született 1797 január 31 én zenei tehetsége korán megmutatkozott kibontakozásában szerepe volt édesapjának aki művelt és zenében is jártas tanító lévén első mestere volt amikor az apa úgy érezte hogy ő már nem tud több zenei

franz schubert poeta y príncipe de la canción holidays in austria - Dec 11 2022

nacido en viena en 1797 franz schubert destacó en todos los géneros musicales sin embargo con más de 600 canciones demostró ser con diferencia el compositor más creativo de la historia de la música en lo que a bellas melodías se refiere

franz schubert youtube music - Jun 17 2023

franz peter schubert was an austrian composer of the late classical and early romantic eras despite his short life schubert left behind a vast oeuvre including more than 600 secular vocal works seven complete symphonies sacred music operas incidental music and a large body of piano and chamber music

[franz schubert quién fue qué hizo biografía estilo musical](#) - Sep 08 2022

franz schubert fue un importante compositor de nacionalidad austriaca que es considerado como el responsable de introducir el romanticismo musical en el mundo y por continuar utilizando el modelo de sonata clásica que previamente había sido

franz schubert biografía música y hechos entretenimiento y - Mar 02 2022

quién era franz schubert franz schubert fue un compositor de música austriaco del siglo xix y figura clave en la unión de los períodos clásico y romántico se destaca por la melodía y armonía en sus canciones y música de cámara también produjo varias sinfonías misas y obras para piano cuál fue la primera película de jennifer

anexo canciones de franz schubert wikipedia la enciclopedia - Apr 15 2023

franz schubert 1797 1828 the complete canciones s at hyperion records co uk composer franz peter schubert 1797 1828 at the liedernet archive obtenido de es wikipedia org w index php title anexo canciones de franz schubert oldid 146398044

franz schubert wikipedia - May 04 2022

franz peter schubert è stato un compositore austriaco del periodo romantico seppure sia vissuto solo trentun anni schubert ha lasciato un grandissimo numero di composizioni molte delle quali pubblicate postume mentre era in vita l interesse per la sua musica era circoscritto a pochi amici e ammiratori viennesi egli era apprezzato in

franz schubert wikipedia la enciclopedia libre - May 16 2023

franz peter schubert viena 31 de enero de 1797 ibidem 19 de noviembre de 1828 fue un compositor austriaco de los principios del romanticismo musical pero a la vez continuador de la sonata clásica siguiendo el modelo de ludwig van beethoven

franz schubert wikipedia - Feb 13 2023

felix mendelssohn robert schumann franz liszt johannes brahms and other 19th century composers discovered and championed his works today schubert is ranked among the greatest composers in the history of western classical music and his work continues to be admired and widely performed

schubert piano music youtube - Sep 20 2023

feb 10 2020 classical music for dinnertime brilliant classics lnk to cla composer franz schubert artists alberto miodini piano cover art grand duchesses alexandra and elena pavlovna by

franz schubert música clásica - Jul 06 2022

adolescencia franz peter schubert nacido el 31 de enero de 1797 himmelfortgrund cerca de viena fue un músico de clave en

la transición desde el clasicismo del xviii al romanticismo del xix

franz schubert apple music - Oct 09 2022

about franz schubert in just 20 years of creative activity schubert transformed the humble lied art song into emotionally all embracing microcosms and expanded the classical symphony string quartet and piano sonata into epic fusions of melodic radiance and structural ingenuity his early compositions reveal his love of mozart

franz schubert biografía resumida y corta biografías cortas - Feb 01 2022

dedicado a su música en ese momento el joven comenzó a componer y sus primeras obras fueron interpretadas por una orquesta de alumnos de a s internado de la ciudad donde fue violinista en 1813 se jubila para empezar a trabajar como

franz schubert enciclopedia de la historia del mundo - Jul 18 2023

jul 7 2023 franz schubert 1797 1828 fue un compositor austriaco de música romántica muy conocido por sus canciones sinfonías piezas para piano y música de cámara su carrera duró solo 15 años pero fue un prolífico compositor

franz schubert vikipedi - Aug 19 2023

Çalgılar piyano franz peter schubert 31 ocak 1797 viyana 19 kasım 1828 viyana avusturyalı besteci yaklaşık 600 ün üzerinde lied 9 senfoni ünlü bitmemiş senfoni nin de içlerinde bulunduğu operalar çok sayıda oda müziği ve piyano parçaları bestelemiştir

franz schubert music videos stats and photos last fm - Jan 12 2023

jul 7 2023 19 november 1828 aged 31 franz peter schubert 1797 1828 was an austrian composer he wrote some 600 lieder nine symphonies including the famous unfinished symphony liturgical music operas and a large body of chamber and solo piano music he is particularly noted for his original melodic and harmon read more

5 2 2 franz schubert la encantadora doncella del molino - Jun 05 2022

oct 30 2022 franz schubert 1797 1828 vivió una vida tranquila en viena donde escribió más de 600 canciones para su interpretación en reuniones domésticas íntimas a pesar de que murió joven y sin alcanzar una fama significativa fuera de viena su obra se hizo ampliamente conocida a mediados del siglo xix y hoy es considerado como uno de los

franz schubert el joven genio musical no reconocido - Nov 10 2022

oct 13 2022 franz schubert sólo tenía 31 años y en este corto tiempo fue muy productivo dejó más de 600 canciones música coral oberturas y sinfonías dijo de sí mismo vino al mundo sólo para componer y nada más comparado con beethoven haydn y mozart schubert suele ser considerado un genio incomprendido no logró el impacto con sus