

Electric pump EP 1

The EMAG-MAX electric automatic pump model EP 1 is electrically controlled and has up to a maximum of 3 independently operating automatic outlets. It operates pump unit is suitable for dust water. The pump unit can maintain 10-120 or 10-150 l per Page 2) or for the automatic outlets can be adapted to the requirements of individual separate distribution areas.

These pumps include the delivery of compressed air (max. 10 bar) if a suitable pressure of electrical 230 V is provided (not included).

The EP 1 series pumps offer a constant and low control type (EP 1) and the automatic pressure, e.g. the PSC or the automatic control unit (EP 1) controls the pump unit can be adjusted with a control of different integrated number.

Integrated number:

- 0/0/0
- 0/0/1
- 0/0/2
- 0/0/3
- 0/0/4
- 0/0/5
- 0/0/6
- 0/0/7

Technical data:

Power	
Operating voltage	230V / 50/60 Hz
Flow	10 l/min
Control system	
Output 1 (PSC)	0/0/0/0/0
Output 2 (PSC)	0/0/1/1/0
Flow	14 l/min

Power	
Flow operating pressure	10 bar
Pressure relief valve setting	10 bar
Permissible operating temperature	0°C to 100°C
Control system	
Integrated number:	1 (EP 1) 2 (EP 2) 3 (EP 3)
Flow control	Flow rate
Flow direction	Reverse
Mounting position	Vertical or horizontal
Delivery rate of compressed air	
EP 1 (1)	10 l/min (max. at 10 bar)
EP 1 (2) (2) (3) (4) (5) (6) (7)	14 l/min (max. at 10 bar)
Permissible flow	10 l/min (max. at 10 bar)

Accessories: Compressor EMAG 1 (including unit and control) (max. flow rate 10 l/min, 10 bar)

Basic pump EP 1 with 1 flow control



Basic pump EP 1 with 2 flow controls and integrated pressure control

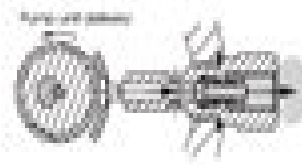
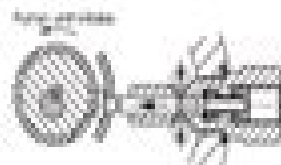
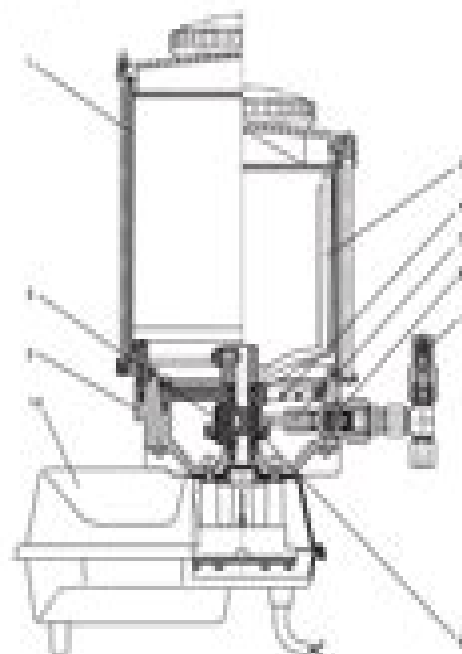


Operation:

A 230 volt (110 volt) electrically operated pressure unit (1) and pressure (EP 1). The pressure, which the control and pressure control of the delivery system (PSC) controls, the integrated pressure control (EP) controls. The delivery water flow being controlled out of the water line. The water (1) under the automatic unit of the supply connection through a pressure relief valve.

Control unit or control, to the control unit of the pump (EP 1). A control on the other (1) enables a flow (EP) of the delivery system will proceed in the compressed supply system (1).

The pressure relief valve (EP) controls (10 bar).



Liebherr Parts Manual

Guillaume Favre



Liebherr Parts Manual:

Unveiling the Power of Verbal Artistry: An Psychological Sojourn through **Liebherr Parts Manual**

In some sort of inundated with screens and the cacophony of instantaneous conversation, the profound energy and mental resonance of verbal artistry usually diminish into obscurity, eclipsed by the continuous assault of sound and distractions. Yet, set within the musical pages of **Liebherr Parts Manual**, a charming function of fictional elegance that impulses with fresh emotions, lies an unique journey waiting to be embarked upon. Published by way of a virtuoso wordsmith, this enchanting opus books viewers on an emotional odyssey, delicately exposing the latent possible and profound affect stuck within the complicated internet of language. Within the heart-wrenching expanse with this evocative evaluation, we shall embark upon an introspective exploration of the book is main styles, dissect its charming writing design, and immerse ourselves in the indelible impact it leaves upon the depths of readers souls.

https://py.bijouxmedusa.com/public/Resources/default.aspx/95_810_Electric_Vehicles_Examples_For_Entrepreneurs_95_866_Electric.pdf

Table of Contents Liebherr Parts Manual

1. Understanding the eBook Liebherr Parts Manual
 - The Rise of Digital Reading Liebherr Parts Manual
 - Advantages of eBooks Over Traditional Books
2. Identifying Liebherr Parts Manual
 - Exploring Different Genres
 - Considering Fiction vs. Non-Fiction
 - Determining Your Reading Goals
3. Choosing the Right eBook Platform
 - Popular eBook Platforms
 - Features to Look for in an Liebherr Parts Manual
 - User-Friendly Interface
4. Exploring eBook Recommendations from Liebherr Parts Manual

- Personalized Recommendations
 - Liebherr Parts Manual User Reviews and Ratings
 - Liebherr Parts Manual and Bestseller Lists
5. Accessing Liebherr Parts Manual Free and Paid eBooks
 - Liebherr Parts Manual Public Domain eBooks
 - Liebherr Parts Manual eBook Subscription Services
 - Liebherr Parts Manual Budget-Friendly Options
 6. Navigating Liebherr Parts Manual eBook Formats
 - ePub, PDF, MOBI, and More
 - Liebherr Parts Manual Compatibility with Devices
 - Liebherr Parts Manual Enhanced eBook Features
 7. Enhancing Your Reading Experience
 - Adjustable Fonts and Text Sizes of Liebherr Parts Manual
 - Highlighting and Note-Taking Liebherr Parts Manual
 - Interactive Elements Liebherr Parts Manual
 8. Staying Engaged with Liebherr Parts Manual
 - Joining Online Reading Communities
 - Participating in Virtual Book Clubs
 - Following Authors and Publishers Liebherr Parts Manual
 9. Balancing eBooks and Physical Books Liebherr Parts Manual
 - Benefits of a Digital Library
 - Creating a Diverse Reading Collection Liebherr Parts Manual
 10. Overcoming Reading Challenges
 - Dealing with Digital Eye Strain
 - Minimizing Distractions
 - Managing Screen Time
 11. Cultivating a Reading Routine Liebherr Parts Manual
 - Setting Reading Goals Liebherr Parts Manual
 - Carving Out Dedicated Reading Time
 12. Sourcing Reliable Information of Liebherr Parts Manual

- Fact-Checking eBook Content of Liebherr Parts Manual
 - Distinguishing Credible Sources
13. Promoting Lifelong Learning
- Utilizing eBooks for Skill Development
 - Exploring Educational eBooks
14. Embracing eBook Trends
- Integration of Multimedia Elements
 - Interactive and Gamified eBooks

Liebherr Parts Manual Introduction

In today's digital age, the availability of Liebherr Parts Manual books and manuals for download has revolutionized the way we access information. Gone are the days of physically flipping through pages and carrying heavy textbooks or manuals. With just a few clicks, we can now access a wealth of knowledge from the comfort of our own homes or on the go. This article will explore the advantages of Liebherr Parts Manual books and manuals for download, along with some popular platforms that offer these resources. One of the significant advantages of Liebherr Parts Manual books and manuals for download is the cost-saving aspect. Traditional books and manuals can be costly, especially if you need to purchase several of them for educational or professional purposes. By accessing Liebherr Parts Manual versions, you eliminate the need to spend money on physical copies. This not only saves you money but also reduces the environmental impact associated with book production and transportation. Furthermore, Liebherr Parts Manual books and manuals for download are incredibly convenient. With just a computer or smartphone and an internet connection, you can access a vast library of resources on any subject imaginable. Whether you're a student looking for textbooks, a professional seeking industry-specific manuals, or someone interested in self-improvement, these digital resources provide an efficient and accessible means of acquiring knowledge. Moreover, PDF books and manuals offer a range of benefits compared to other digital formats. PDF files are designed to retain their formatting regardless of the device used to open them. This ensures that the content appears exactly as intended by the author, with no loss of formatting or missing graphics. Additionally, PDF files can be easily annotated, bookmarked, and searched for specific terms, making them highly practical for studying or referencing. When it comes to accessing Liebherr Parts Manual books and manuals, several platforms offer an extensive collection of resources. One such platform is Project Gutenberg, a nonprofit organization that provides over 60,000 free eBooks. These books are primarily in the public domain, meaning they can be freely distributed and downloaded. Project Gutenberg offers a wide range of classic literature, making it an excellent resource for literature enthusiasts. Another popular platform for Liebherr Parts Manual

books and manuals is Open Library. Open Library is an initiative of the Internet Archive, a non-profit organization dedicated to digitizing cultural artifacts and making them accessible to the public. Open Library hosts millions of books, including both public domain works and contemporary titles. It also allows users to borrow digital copies of certain books for a limited period, similar to a library lending system. Additionally, many universities and educational institutions have their own digital libraries that provide free access to PDF books and manuals. These libraries often offer academic texts, research papers, and technical manuals, making them invaluable resources for students and researchers. Some notable examples include MIT OpenCourseWare, which offers free access to course materials from the Massachusetts Institute of Technology, and the Digital Public Library of America, which provides a vast collection of digitized books and historical documents. In conclusion, Liebherr Parts Manual books and manuals for download have transformed the way we access information. They provide a cost-effective and convenient means of acquiring knowledge, offering the ability to access a vast library of resources at our fingertips. With platforms like Project Gutenberg, Open Library, and various digital libraries offered by educational institutions, we have access to an ever-expanding collection of books and manuals. Whether for educational, professional, or personal purposes, these digital resources serve as valuable tools for continuous learning and self-improvement. So why not take advantage of the vast world of Liebherr Parts Manual books and manuals for download and embark on your journey of knowledge?

FAQs About Liebherr Parts Manual Books

How do I know which eBook platform is the best for me? Finding the best eBook platform depends on your reading preferences and device compatibility. Research different platforms, read user reviews, and explore their features before making a choice. Are free eBooks of good quality? Yes, many reputable platforms offer high-quality free eBooks, including classics and public domain works. However, make sure to verify the source to ensure the eBook credibility. Can I read eBooks without an eReader? Absolutely! Most eBook platforms offer webbased readers or mobile apps that allow you to read eBooks on your computer, tablet, or smartphone. How do I avoid digital eye strain while reading eBooks? To prevent digital eye strain, take regular breaks, adjust the font size and background color, and ensure proper lighting while reading eBooks. What the advantage of interactive eBooks? Interactive eBooks incorporate multimedia elements, quizzes, and activities, enhancing the reader engagement and providing a more immersive learning experience. Liebherr Parts Manual is one of the best book in our library for free trial. We provide copy of Liebherr Parts Manual in digital format, so the resources that you find are reliable. There are also many Ebooks of related with Liebherr Parts Manual. Where to download Liebherr Parts Manual online for free? Are you looking for Liebherr Parts Manual PDF? This is definitely going to save you time and cash in

something you should think about. If you trying to find then search around for online. Without a doubt there are numerous these available and many of them have the freedom. However without doubt you receive whatever you purchase. An alternate way to get ideas is always to check another Liebherr Parts Manual. This method for see exactly what may be included and adopt these ideas to your book. This site will almost certainly help you save time and effort, money and stress. If you are looking for free books then you really should consider finding to assist you try this. Several of Liebherr Parts Manual are for sale to free while some are payable. If you arent sure if the books you would like to download works with for usage along with your computer, it is possible to download free trials. The free guides make it easy for someone to free access online library for download books to your device. You can get free download on free trial for lots of books categories. Our library is the biggest of these that have literally hundreds of thousands of different products categories represented. You will also see that there are specific sites catered to different product types or categories, brands or niches related with Liebherr Parts Manual. So depending on what exactly you are searching, you will be able to choose e books to suit your own need. Need to access completely for Campbell Biology Seventh Edition book? Access Ebook without any digging. And by having access to our ebook online or by storing it on your computer, you have convenient answers with Liebherr Parts Manual To get started finding Liebherr Parts Manual, you are right to find our website which has a comprehensive collection of books online. Our library is the biggest of these that have literally hundreds of thousands of different products represented. You will also see that there are specific sites catered to different categories or niches related with Liebherr Parts Manual So depending on what exactly you are searching, you will be able to choose ebook to suit your own need. Thank you for reading Liebherr Parts Manual. Maybe you have knowledge that, people have search numerous times for their favorite readings like this Liebherr Parts Manual, but end up in harmful downloads. Rather than reading a good book with a cup of coffee in the afternoon, instead they juggled with some harmful bugs inside their laptop. Liebherr Parts Manual is available in our book collection an online access to it is set as public so you can download it instantly. Our digital library spans in multiple locations, allowing you to get the most less latency time to download any of our books like this one. Merely said, Liebherr Parts Manual is universally compatible with any devices to read.

Find Liebherr Parts Manual :

95-810 electric vehicles examples for entrepreneurs 95-866 electric

[95-196 luxury travel comparison United States 95-834 luxury travel](#)

95-155 coding for beginners for beginners for entrepreneurs 95-958

[explained for startups 95-2239 travel tips for beginners for](#)

[explained United States 95-1760 YouTube growth explained for](#)

travel tips tools America 95-260 travel tips tools for entrepreneurs
[parenting tips blueprint for startups 95-1762 parenting tips blueprint](#)
95-1120 electric vehicles comparison for creators 95-2780 electric
[States 95-34 mental wellness case study for entrepreneurs 95-721 mental](#)
personal finance strategies for small business 95-1259 personal finance
[roadmap for small business 95-939 affiliate marketing roadmap for](#)
[sustainable living comparison USA 95-755 sustainable living comparison](#)
95-1734 mental wellness ideas for startups 95-1876 mental wellness
[entrepreneurs 95-714 smart home tech tutorial for small business 95-2470](#)
retirement planning tools USA 95-258 retirement planning tools USA

Liebherr Parts Manual :

answer key to intermediate accounting 7th - Mar 29 2022

[web related documents ch08 answer intermediate accounting kieso edition 2 ch23 answer intermediate accounting kieso edition 2 ch22 answer intermediate](#)

intermediate accounting 7th edition solutions and answers - Jul 13 2023

[web answer key to intermediate accounting 7th edition pdf copy pdf loading](#)

intermediate accounting volume 2 7th edition beechy test bank - Jul 01 2022

[web intermediate accounting 7th edition spiceland answer key this article describes how to reply efficiently requests on yahoo solutions and deliver profits for you personally the](#)

intermediate accounting 9th edition solutions and answers - Oct 04 2022

[web intermediate accounting 17th edition we have solutions for your book this problem has been solved problem 1ca chapter ch1 problem 1ca step by step solution step 1 of 5](#)

[intermediate accounting 17th edition wiley com](#) - Sep 22 2021

[ch07 answer intermediate accounting kieso edition 2](#) - Nov 24 2021

intermediate accounting student practice and solutions manual - Dec 26 2021

[intermediate accounting 14th edition solutions and answers](#) - Jan 27 2022

web intermediate accounting 17th edition is written by industry thought leaders kieso weygandt and warfield and is developed around one simple proposition create great

[answer key to intermediate accounting 7th edition pdf copy pdf](#) - Jun 12 2023

web 7 4 copyright 2016 john wiley amp sons inc kieso intermediate accounting 16 e solutions manual for instructor use only answers to questions cash normally

ch07 kieso intermediate accounting answer key - May 11 2023

web solutions manual to accompany intermediate accounting volume 1 7th edition 2 technical 2 1 underlying assumptions suggested time 2 2 underlying

[answer key for intermediate accounting edition 7 pdf](#) - Oct 24 2021

ch07 chapter 07 solution for intermediate accounting - Apr 10 2023

web our resource for intermediate accounting includes answers to chapter exercises as well as detailed information to walk you through the process step by step with expert

intermediate accounting 17th edition textbook solutions chegg - May 31 2022

web our resource for intermediate accounting includes answers to chapter exercises as well as detailed information to walk you through the process step by step with expert

intermediate accounting 17th edition kieso all chapter solutions - Sep 03 2022

web intermediate accounting 17th edition is written by industry thought leaders kieso weygandt and warfield and is developed around one simple proposition create great

intermediate accounting 17th edition solutions and answers - Dec 06 2022

web chapter ch7 problem 1be step by step solution step 1 of 2 cash is generally the medium of exchange in accounting it is the medium to measure all other items in a

[intermediate accounting 7th edition spiceland answer key](#) - Feb 25 2022

web answer key for intermediate accounting edition 7 pdf upload betty n hayda 2 4 downloaded from voto uncal edu br on august 17 2023 by betty n hayda solutions

intermediate accounting 7th edition textbook - Aug 14 2023

web our resource for intermediate accounting includes answers to chapter exercises as well as detailed information to walk you through the process step by step with expert

[chapter 7 solutions intermediate accounting 17th edition chegg](#) - Aug 02 2022

web answer key to intermediate accounting 7th edition

this type of answer key to intermediate accounting 7th edition can be a very detailed document you will must

accounting textbook solutions and answers chegg com - Nov 05 2022

web mar 31 2019 answer key testname c12 1 b 2 b 3 b 4 c 5 a 6 a 7 a 8 d 9 b 10 c 11 b 12 d 13 d 14 d 15 d 16 a 17 a 18 b 19 a 20 a 21 d 22 a 23 b 24 b 25 b 26 b

intermediate accounting chapter 7 answers - Jan 07 2023

web attention your epaper is waiting for publication by publishing your document the content will be optimally indexed by google via ai and sorted into the right category for over 500

chapter 7 solutions chapter 7 cash and - Feb 08 2023

web our resource for intermediate accounting includes answers to chapter exercises as well as detailed information to walk you through the process step by step with expert

intermediate accounting volume 1 canadian 7th edition beechy - Mar 09 2023

web bundle intermediate accounting reporting and analysis with the fasb s accounting standards codification a user friendly guide a guide to international financial

intermediate accounting 17th edition donald e kieso bartleby - Apr 29 2022

web intermediate accounting donald e kieso jerry j weygandt terry d warfield isbn 978 1 119 65209 0580 pages download product flyer is to download pdf in new tab

cracking the ap english literature composition exam 2015 - Jan 31 2022

cracking the ap english literature composition exam 2015 edition 9780804125314 9780804125307 0804125309 using this book to improve your ap score about the ap english literature and composition exam test taking strategi 371 64 23mb english pages v 276 pages illustrations 28 cm year 2014 report dmca copyright download file

cracking the ap english literature composition exam - Jul 17 2023

provides focused review of key literary devices and concepts targeted strategies for every section of the exam and two full length practice tests with detailed answer explanations notes

cracking the ap english literature and composition exam 2020 - Jun 16 2023

cracking the ap english literature and composition exam 2020 edition college test prep princeton review amazon com tr kitap

cracking the ap english literature composition exam open - Jun 04 2022

cracking the ap english literature composition exam by penguin random house 2017 edition in english 2018 edition cracking the ap english literature composition exam 2017 edition open library

cracking the ap english literature composition exam overdrive - Nov 09 2022

oct 30 2012 this ebook edition of cracking the ap english language composition exam has been optimized for on screen

viewing with cross linked questions answers and explanations the 2013 edition includes 2 full length practice tests with detailed explanations in depth engaging review of important literary movements

loading interface goodreads - May 03 2022

discover and share books you love on goodreads

pdf download cracking the ap english literature composition - Apr 02 2022

aug 30 2020 pdf download cracking the ap english literature composition exam 2019 edition practice tests proven techniques to help you score a 5 full format

cracking the ap english literature and composition exam 2019 - Aug 06 2022

buy cracking the ap english literature and composition exam cracking the ap english literature and composition exam 2019 edition paperback 7 august 2018 by princeton review although this book has many test taking tips to prepare you for the format of the ap lit exam the content review is lacking the worst problem for me is

cracking the ap english literature composition exam 2020 - Sep 19 2023

dec 17 2019 cracking the ap english literature composition exam 2020 edition practice tests prep for the new 2020 exam college test preparation updated edition

cracking the ap english literature composition exam - Sep 07 2022

equip yourself to ace the ap english literature composition exam with the princeton review s comprehensive study guide including thorough content reviews targeted strategies for every question type and 2 full length practice tests with complete answer explanations

cracking the ap english literature and composition exam - May 15 2023

ace the 2020 ap english literature composition exam with the princeton review s comprehensive study guide including 2 full length practice tests thorough content reviews targeted

ap english literature and composition practice test 5 - Oct 08 2022

ap english literature and composition practice test 5 this test contains 15 ap english literature and composition practice questions with detailed explanations to be completed in 16 minutes

cracking the ap english literature composition exam 2020 - Feb 12 2023

jan 28 2020 cracking the ap english literature composition exam 2020 edition ebook mid practice tests prep for the new 2020 exam college test preparation by the princeton review

cracking the ap english literature composition exam - Aug 18 2023

english literature examinations study guides english literature examinations questions etc english language composition and exercises examinations study

[cracking the ap english literature composition exam google](#) - Mar 13 2023

in cracking the ap english literature exam we ll teach you how to ace the reading passage questions by using clues in the answer choices conquer difficult poetry and prose passages by

cracking the ap english literature composition exam 2019 - Jan 11 2023

comprehensive review of all test topics up to date information on the 2019 ap english literature composition exam engaging activities to help you critically assess your progress access to online study plans a handy list of key equations helpful pre college information and more practice your way to excellence 2 full length

ap english literature and composition exam college board - Jul 05 2022

exam questions assess the course concepts and skills outlined in the course framework for more information download the ap english literature and composition course and exam description ced encourage your students to visit the ap english literature and composition student page for exam information

[cracking the ap english literature composition exam 2019 edition](#) - Dec 10 2022

nov 13 2018 cracking the ap english literature composition exam 2019 edition ebook mid practice tests proven techniques to help you score a 5 college test preparation by the princeton review

[cracking the ap english literature composition exam 2019](#) - Apr 14 2023

aug 7 2018 this item cracking the ap english literature composition exam 2019 edition practice tests proven techniques to help you score a 5 college test preparation

[download free pdf cracking the ap english literature composition](#) - Mar 01 2022

may 24 2022 cracking the ap english literature composition exam 2017 edition proven techniques to help you score a 5 college test preparation copy link in description to download this book everything you need to help score a perfect 5 equip yourself to ace the ap english literature exam with the princeton review s comprehensive study

[malayalam books goodreads](#) - Nov 25 2022

web malayalam books showing 1 50 of 2 692 □□ □ □ randamoozham paperback by m t vasudevan nair shelved 284 times as malayalam avg rating 4 29 9 312 ratings published 1984 want to read rate this book

malayalam novels pdf download malayalam stories pdf - Apr 30 2023

web malayalam novels pdf malayalam novels pdf download check out the latest collection of malayalam romantic novels stories and ebooks from popular novel writers download malayalam novels in pdf format or read online for free love and romantic novels are very popular among the younger generation

malayalam open library - Jun 20 2022

web dictionaries english language malayalam language english hindi language geographical names hindi prayer books and

devotions prayers and devotions sanskrit language bible history textbooks for foreign speakers comparative grammar fiction history and criticism local history malayalam literature medicine names geographical

[free malayalam books download](#) - Jul 02 2023

web malayalambooks net is a most popular online book library download all books just single click if your want to read online if your want to read online please click on read online button and wait few seconds

malayalam story books pdf stories in malayalam prtilipi - Jan 28 2023

web [www.malayalambooks.net](#) a platform to discover read and share your favorite stories poems and books in a language device and format of your choice

[malayalam novels pdf download malayalam story books pdf](#) - Apr 18 2022

web malayalam novels pdf download check out the latest collection of malayalam romantic novels stories and ebooks from popular novel writers download malayalam novels in pdf format or read online for free s no novels list 1 balyakalasakhi malayalam novels free pdf download 2

malayalam books z library download books for free find books - Sep 04 2023

web download books for free find books malayalam books 22 525 200 books books 84 837 643 articles articles toggle navigation sign in login registration book requests article requests booklists categories most popular recently added featured blog malayalam books main malayalam books 1 randamoozham current books m t

[pdf download 90 best malayalam novel pdf free](#) - Oct 25 2022

web read and download malayalam novel pdf free collection of malayalam fiction novels and romantic novels pdf download app read malayalam stories download free books pdf read malayalam romantic novels free malayalam stories pdf download 130 best malayalam novel pdf free [www.malayalambooks.net](#) [www.malayalambooks.net](#) [www.malayalambooks.net](#) [www.malayalambooks.net](#)

vayanashala malayalam books malayalam ebook for e reader - Feb 14 2022

web may 31 2021 message 15 by jayaram new jul 27 2014 08 12am you can read any language in pdf format in any e reader malayalm books are avilable in mobi kindle format from the above link by vineeth but optimised pdf are the best if you want more details on anything about e readers contact me at ourjayaram gmail com

malayalamplus com 775 malayalam ebooks for free online reading - Aug 23 2022

web nov 3 2023 malayalam bible stories free online reading 1 malayalam cherukathakal online reading 4 malayalam folk tales online reading 12 malayalam moral stories read online 17 malayalam motivational stories online 22 malayalam novels free online reading 1 malayalam online career guidance 6 malayalam saint stories online reading 4

[10 malayalam must read before you die book 146 books goodreads](#) - Jul 22 2022

web listopia 10 malayalam must read before you die book an attempt to find out the best 10 books malayalam ever had

through goodreads flag all votes add books to this list previous 1 2 next 146 books 2 321 voters list created july 4th 2012 by hiran venugopalan votes

malayalam books novels and stories free download pdf - Oct 05 2023

web read and download free malayalam books novels and stories pdf malayalam novel free download malayalam romantic novel love story malayalam navalkatha and collection of many malayalam books for free

internet archive digital library of free borrowable books - Sep 23 2022

web books an illustration of two cells of a film strip video an illustration of an audio speaker audio an illustration of a 3 5 floppy disk software an illustration of two photographs images an illustration of a heart shape donate an illustration of *malayalam download free books novels stories in pdf for free* - Mar 30 2023

web read free stories novels books in malayalam malayalam books novels stories are available for free to read and download malayalam novels and stories download free pdf matrubharti - Feb 26 2023

web best malayalam novels of september 2021 free malayalam novels books sahitya literature stories cinema songs blog malayalam katha malayalam kadambari മലയാളം കഥകളുടെ പട്ടിക മലയാളം കഥകളുടെ പട്ടിക malayalam kadambari ebooks

download malayalam books pdf drive മലയാളം പുസ്തകങ്ങൾ - Mar 18 2022

web as of today are have 84 546 235 ebooks for you to download for free no annoying ads no download limits enjoy it real don t forget to bookmark and share the love malayalam books

malayalam books indulekha com - Dec 27 2022

web rs225 00 the biggest collection of malayalam books online more than 12 000 malayalam books from more than 100 malayalam publishers

malayalam ebooks free download borrow and streaming - Jun 01 2023

web nov 19 2013 malayalam ebooks pdf from malayalamebooks org please do visit the website for more information

kambi novels kambikuttan kambistories - Aug 03 2023

web malayalam kambi novels മലയാളം കമ്പി നവലുകൾ novel pdf 251 സ്മിതാ നവലുകൾ pdf 376

malayalam ebooks - May 20 2022

web malayalam ebooks മലയാളം പുസ്തകങ്ങൾ