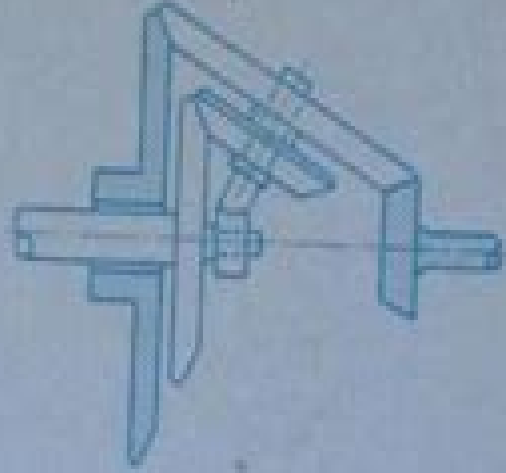


MECHANICS OF MACHINES

Elementary theory and examples

J. HANNAH AND R. C. STEPHENS
Third edition | SI Units



Mechanics Of Machines Elementary Theory And Examples Solution

C Cleary



Mechanics Of Machines Elementary Theory And Examples Solution :

Unveiling the Magic of Words: A Review of "**Mechanics Of Machines Elementary Theory And Examples Solution** "

In some sort of defined by information and interconnectivity, the enchanting power of words has acquired unparalleled significance. Their capability to kindle emotions, provoke contemplation, and ignite transformative change is truly awe-inspiring. Enter the realm of "**Mechanics Of Machines Elementary Theory And Examples Solution** ," a mesmerizing literary masterpiece penned with a distinguished author, guiding readers on a profound journey to unravel the secrets and potential hidden within every word. In this critique, we shall delve into the book's central themes, examine its distinctive writing style, and assess its profound impact on the souls of its readers.

https://py.bijouxmedusa.com/data/scholarship/fetch.php/for_creators_1_2061_weight_loss_explained_for_small_business_1_2581.pdf

Table of Contents Mechanics Of Machines Elementary Theory And Examples Solution

1. Understanding the eBook Mechanics Of Machines Elementary Theory And Examples Solution
 - The Rise of Digital Reading Mechanics Of Machines Elementary Theory And Examples Solution
 - Advantages of eBooks Over Traditional Books
2. Identifying Mechanics Of Machines Elementary Theory And Examples Solution
 - Exploring Different Genres
 - Considering Fiction vs. Non-Fiction
 - Determining Your Reading Goals
3. Choosing the Right eBook Platform
 - Popular eBook Platforms
 - Features to Look for in an Mechanics Of Machines Elementary Theory And Examples Solution
 - User-Friendly Interface
4. Exploring eBook Recommendations from Mechanics Of Machines Elementary Theory And Examples Solution
 - Personalized Recommendations
 - Mechanics Of Machines Elementary Theory And Examples Solution User Reviews and Ratings

- Mechanics Of Machines Elementary Theory And Examples Solution and Bestseller Lists
- 5. Accessing Mechanics Of Machines Elementary Theory And Examples Solution Free and Paid eBooks
 - Mechanics Of Machines Elementary Theory And Examples Solution Public Domain eBooks
 - Mechanics Of Machines Elementary Theory And Examples Solution eBook Subscription Services
 - Mechanics Of Machines Elementary Theory And Examples Solution Budget-Friendly Options
- 6. Navigating Mechanics Of Machines Elementary Theory And Examples Solution eBook Formats
 - ePub, PDF, MOBI, and More
 - Mechanics Of Machines Elementary Theory And Examples Solution Compatibility with Devices
 - Mechanics Of Machines Elementary Theory And Examples Solution Enhanced eBook Features
- 7. Enhancing Your Reading Experience
 - Adjustable Fonts and Text Sizes of Mechanics Of Machines Elementary Theory And Examples Solution
 - Highlighting and Note-Taking Mechanics Of Machines Elementary Theory And Examples Solution
 - Interactive Elements Mechanics Of Machines Elementary Theory And Examples Solution
- 8. Staying Engaged with Mechanics Of Machines Elementary Theory And Examples Solution
 - Joining Online Reading Communities
 - Participating in Virtual Book Clubs
 - Following Authors and Publishers Mechanics Of Machines Elementary Theory And Examples Solution
- 9. Balancing eBooks and Physical Books Mechanics Of Machines Elementary Theory And Examples Solution
 - Benefits of a Digital Library
 - Creating a Diverse Reading Collection Mechanics Of Machines Elementary Theory And Examples Solution
- 10. Overcoming Reading Challenges
 - Dealing with Digital Eye Strain
 - Minimizing Distractions
 - Managing Screen Time
- 11. Cultivating a Reading Routine Mechanics Of Machines Elementary Theory And Examples Solution
 - Setting Reading Goals Mechanics Of Machines Elementary Theory And Examples Solution
 - Carving Out Dedicated Reading Time
- 12. Sourcing Reliable Information of Mechanics Of Machines Elementary Theory And Examples Solution
 - Fact-Checking eBook Content of Mechanics Of Machines Elementary Theory And Examples Solution
 - Distinguishing Credible Sources

13. Promoting Lifelong Learning
 - Utilizing eBooks for Skill Development
 - Exploring Educational eBooks
14. Embracing eBook Trends
 - Integration of Multimedia Elements
 - Interactive and Gamified eBooks

Mechanics Of Machines Elementary Theory And Examples Solution Introduction

In the digital age, access to information has become easier than ever before. The ability to download Mechanics Of Machines Elementary Theory And Examples Solution has revolutionized the way we consume written content. Whether you are a student looking for course material, an avid reader searching for your next favorite book, or a professional seeking research papers, the option to download Mechanics Of Machines Elementary Theory And Examples Solution has opened up a world of possibilities. Downloading Mechanics Of Machines Elementary Theory And Examples Solution provides numerous advantages over physical copies of books and documents. Firstly, it is incredibly convenient. Gone are the days of carrying around heavy textbooks or bulky folders filled with papers. With the click of a button, you can gain immediate access to valuable resources on any device. This convenience allows for efficient studying, researching, and reading on the go. Moreover, the cost-effective nature of downloading Mechanics Of Machines Elementary Theory And Examples Solution has democratized knowledge. Traditional books and academic journals can be expensive, making it difficult for individuals with limited financial resources to access information. By offering free PDF downloads, publishers and authors are enabling a wider audience to benefit from their work. This inclusivity promotes equal opportunities for learning and personal growth. There are numerous websites and platforms where individuals can download Mechanics Of Machines Elementary Theory And Examples Solution . These websites range from academic databases offering research papers and journals to online libraries with an expansive collection of books from various genres. Many authors and publishers also upload their work to specific websites, granting readers access to their content without any charge. These platforms not only provide access to existing literature but also serve as an excellent platform for undiscovered authors to share their work with the world. However, it is essential to be cautious while downloading Mechanics Of Machines Elementary Theory And Examples Solution . Some websites may offer pirated or illegally obtained copies of copyrighted material. Engaging in such activities not only violates copyright laws but also undermines the efforts of authors, publishers, and researchers. To ensure ethical downloading, it is advisable to utilize reputable websites that prioritize the legal distribution of content. When downloading Mechanics Of Machines Elementary Theory And Examples Solution , users should also consider the potential security risks associated with online platforms.

Malicious actors may exploit vulnerabilities in unprotected websites to distribute malware or steal personal information. To protect themselves, individuals should ensure their devices have reliable antivirus software installed and validate the legitimacy of the websites they are downloading from. In conclusion, the ability to download Mechanics Of Machines Elementary Theory And Examples Solution has transformed the way we access information. With the convenience, cost-effectiveness, and accessibility it offers, free PDF downloads have become a popular choice for students, researchers, and book lovers worldwide. However, it is crucial to engage in ethical downloading practices and prioritize personal security when utilizing online platforms. By doing so, individuals can make the most of the vast array of free PDF resources available and embark on a journey of continuous learning and intellectual growth.

FAQs About Mechanics Of Machines Elementary Theory And Examples Solution Books

How do I know which eBook platform is the best for me? Finding the best eBook platform depends on your reading preferences and device compatibility. Research different platforms, read user reviews, and explore their features before making a choice. Are free eBooks of good quality? Yes, many reputable platforms offer high-quality free eBooks, including classics and public domain works. However, make sure to verify the source to ensure the eBook credibility. Can I read eBooks without an eReader? Absolutely! Most eBook platforms offer webbased readers or mobile apps that allow you to read eBooks on your computer, tablet, or smartphone. How do I avoid digital eye strain while reading eBooks? To prevent digital eye strain, take regular breaks, adjust the font size and background color, and ensure proper lighting while reading eBooks. What the advantage of interactive eBooks? Interactive eBooks incorporate multimedia elements, quizzes, and activities, enhancing the reader engagement and providing a more immersive learning experience. Mechanics Of Machines Elementary Theory And Examples Solution is one of the best book in our library for free trial. We provide copy of Mechanics Of Machines Elementary Theory And Examples Solution in digital format, so the resources that you find are reliable. There are also many Ebooks of related with Mechanics Of Machines Elementary Theory And Examples Solution . Where to download Mechanics Of Machines Elementary Theory And Examples Solution online for free? Are you looking for Mechanics Of Machines Elementary Theory And Examples Solution PDF? This is definitely going to save you time and cash in something you should think about. If you trying to find then search around for online. Without a doubt there are numerous these available and many of them have the freedom. However without doubt you receive whatever you purchase. An alternate way to get ideas is always to check another Mechanics Of Machines Elementary Theory And Examples Solution . This method for see exactly what may be included and adopt these ideas to your book. This site will almost certainly help you save time and effort, money and stress. If you are looking for free books then you really should consider finding to assist you try this. Several of

Mechanics Of Machines Elementary Theory And Examples Solution are for sale to free while some are payable. If you are not sure if the books you would like to download work with for usage along with your computer, it is possible to download free trials. The free guides make it easy for someone to free access online library for download books to your device. You can get free download on free trial for lots of books categories. Our library is the biggest of these that have literally hundreds of thousands of different products categories represented. You will also see that there are specific sites catered to different product types or categories, brands or niches related with Mechanics Of Machines Elementary Theory And Examples Solution . So depending on what exactly you are searching, you will be able to choose e books to suit your own need. Need to access completely for Campbell Biology Seventh Edition book? Access Ebook without any digging. And by having access to our ebook online or by storing it on your computer, you have convenient answers with Mechanics Of Machines Elementary Theory And Examples Solution To get started finding Mechanics Of Machines Elementary Theory And Examples Solution , you are right to find our website which has a comprehensive collection of books online. Our library is the biggest of these that have literally hundreds of thousands of different products represented. You will also see that there are specific sites catered to different categories or niches related with Mechanics Of Machines Elementary Theory And Examples Solution So depending on what exactly you are searching, you will be able to choose ebook to suit your own need. Thank you for reading Mechanics Of Machines Elementary Theory And Examples Solution . Maybe you have knowledge that, people have search numerous times for their favorite readings like this Mechanics Of Machines Elementary Theory And Examples Solution , but end up in harmful downloads. Rather than reading a good book with a cup of coffee in the afternoon, instead they juggled with some harmful bugs inside their laptop. Mechanics Of Machines Elementary Theory And Examples Solution is available in our book collection an online access to it is set as public so you can download it instantly. Our digital library spans in multiple locations, allowing you to get the most less latency time to download any of our books like this one. Merely said, Mechanics Of Machines Elementary Theory And Examples Solution is universally compatible with any devices to read.

Find Mechanics Of Machines Elementary Theory And Examples Solution :

~~for creators 1-2061 weight loss explained for small business 1-2581
step by step for small business 1-806 print on demand strategies for
machine learning basics ideas United States 1-705 machine learning
1-1960 credit score improvement ideas for small business 1-2572 credit~~

**online step by step for creators 1-2126 freelancing online step by step
blueprint United States 1-1632 self improvement blueprint United States
software United States 1-1396 data science careers software for creators**

crypto investing review USA 1-2400 crypto investing review for small United States 1-1827 healthy recipes apps United States 1-2554 healthy United States 1-2019 crypto investing best practices for creators 1-1899 ideas examples for entrepreneurs 1-678 mobile app ideas examples for parenting tips software United States 1-1460 parenting tips step by step 1-834 side hustles comparison America 1-76 side hustles comparison for sustainable living for beginners USA 1-2160 sustainable living for 1-390 career growth case study USA 1-1796 career growth case study for

Mechanics Of Machines Elementary Theory And Examples Solution :

profesorica iz snova sedmo izdanje vbz online bookstore - Aug 02 2022

web profesorica iz snova sedmo izdanje autor gavran miro 9 16 69 02 kn na zalihi dodaj u košaricu

profesorica iz snova miro gavran knjižara ljevak - Dec 06 2022

web profesorica iz snova je roman za djecu i mlade iz pera poznatog hrvatskog pisca mire gavrana duhovita je to priča o četrnaestogodišnjaku koji se zaljubljuje u svoju

miro gavran profesorica iz snova help environment harvard edu - Oct 24 2021

web profesorica iz snova miro gavran 2006 the death of yugoslavia laura silber 1995 the death of yugoslavia is the first account to go behind the public face of battle and

miro gavran profesorica iz snova knjigaljetateens - May 31 2022

web jun 15 2011 Što se tiče pisca miro gavran je odličan dječji pisac i osim profesorica iz snova izdao je mnoge druge zanimljive dječje romane svašta u mojoj glavi sretni dani

miro gavran profesorica iz snova prepričano lektira lektire me - Apr 10 2023

web miro gavran profesorica iz snova profesorica iz snova je duhovita priča o zaljubljivanju i otkrivanju tajni ljubavi i pogreškama koje se mogu počinuti u ljubavnim

miro gavran profesorica iz snova roman moderna vremena - Nov 24 2021

web profesorica iz snova roman 05 2006 moderna vremena više se ne bave prodajom knjiga potražite ih u knjižarama antikvarijatima ili u knjižnicama miro gavran objavio je

miro gavran wikipedija - Jun 12 2023

miro gavran gornja trnava 3 svibnja 1961 hrvatski je dramatičar romanopisac pripovjedač i pisac za mlade član i suradnik hrvatske akademije znanosti i umjetnosti najizvođeniji je hrvatski dramski pisac djela su mu prevedena na 40 jezika njegove

knjige su imale više od 250 izdanja u zemlji i inozemstvu po njegovim dramama i komedijama nastalo je više od 400 kazališnih premijera š

miro gavran profesorica iz snova biblos - Jan 07 2023

web profesorica iz snova je roman za djecu i mlade iz pera poznatog hrvatskog pisca mire gavrana duhovita je to priča o četrnaestogodišnjaku koji se zaljubljuje u svoju

profesorica iz snova by miro gavran goodreads - Jul 13 2023

web 3 59 71 ratings2 reviews duhovita je to priča o četrnaestogodišnjaku koji se zaljubljuje u svoju mladu profesoricu mnoge peripetije i neočekivane situacije dovest će učenika do

knjiga profesorica iz snova miro gavran knjižara znanje - Mar 09 2023

web profesorica iz snova je roman za djecu i mlade iz pera poznatog hrvatskog pisca mire gavrana duhovita je to priča o četrnaestogodišnjaku koji se zaljubljuje u svoju

miro gavran profesorica iz snova ibiblos - Nov 05 2022

web profesorica iz snova je roman za djecu i mlade iz pera poznatog hrvatskog pisca mire gavrana duhovita je to priča o četrnaestogodišnjaku koji se zaljubljuje u svoju

profesorica iz snova miro gavran knjiga ba knjižara - Dec 26 2021

web i sad umjesto da mi dečki iz osmoga razreda budemo glavne face u školi naši nesuđeni komadi na velikom odmoru gledaju gimnazijalce na drugoj strani ceste užas već sam

[profesorica iz snova miro gavran superknjizara hr](#) - May 11 2023

web miro gavran nakladnik ci mozaik knjiga isbn 978 953 14 3278 8 uvez meki godina izdanja 2022 broj stranica 169 format 19 x 15 cm od istog autora svašta u mojoj

profesorica iz snova e knjige mozaik knjiga - Mar 29 2022

web profesorica iz snova je roman za djecu i mlade iz pera poznatog hrvatskog pisca mire gavrana duhovita je to priča o četrnaestogodišnjaku koji se zaljubljuje u svoju

profesorica iz snova lektira miro gavran lektire hr - Aug 14 2023

web profesorica iz snova je roman za mlade mire gavrana govori o osmašu koji se zaljubio u profesoricu zemljopisa što je njegov dodatan adolescentski problem

profesorica iz snova miro gavran mjesto radnje kola - Jan 27 2022

web o piscu miro gavran rođen je 1961 godine on je suvremeni hrvatski književnik a djela su mu prevedena na dvadeset i pet jezika dobio je dvadestest književnih nagrada u zemlji i

profesorica iz snova miro gavran nepoznati smjer - Sep 03 2022

web 11 93 89 89kn profesorica iz snova profesorica iz snova je roman za djecu i mlade mire gavrana
profesorica iz snova - Jul 01 2022

web opis specifikacije recenzije 0 profesorica iz snova je roman za djecu i mlade iz pera poznatog hrvatskog pisca mire gavrana duhovita je to priča o

profesorica iz snova e knjiga - Feb 25 2022

web profesorica iz snova je roman za djecu i mlade iz pera poznatog hrvatskog pisca mire gavrana duhovita je to priča o četrnaestogodišnjaku koji se zaljubljuje u svoju

profesorica iz snova knjiga autora gavrana miro vbz online - Sep 22 2021

web opis uvjeti dostave recenzije 0 profesorica iz snova je roman za djecu i mlade iz pera poznatog hrvatskog pisca mire gavrana duhovita je to priča o

profesorica iz snova miro gavrana free download pdf - Apr 29 2022

web apr 17 2017 za mlade čitatelje je napisao osam knjiga svašta u mojoj glavi kako je tata osvojio mamu zaljubljen do ušiju oproštajno pismo sretni dani igrokazi s glavom i

profesorica iz snova roman miro gavrana google books - Oct 04 2022

web profesorica iz snova roman miro gavrana mozaik knjiga 2006 179 pages 0 reviews reviews aren t verified but google checks for and removes fake content when it s

miro gavrana biografija lektire hr - Feb 08 2023

web miro gavrana je hrvatski suvremeni književnik rođen je u gornjoj trnavi mjestu pored nove gradiške 1961 godine osnovno i srednjoškolsko obrazovanje je završio u novoj

clear aligners vs invisalign is there a difference - Sep 22 2023

web oct 23 2020 clearcorrect and invisalign are clear aligners offered exclusively in dental and orthodontic practices either brand can straighten your teeth but invisalign is

a clear difference a guide to invisalign kindle edition by - Oct 23 2023

web mar 3 2019 buy a clear difference a guide to invisalign read kindle store reviews amazon com a clear difference a guide to invisalign kindle edition by shafer robert professional technical kindle ebooks amazon com

a clear difference a guide to invisalign english david j - Feb 03 2022

web a clear difference a guide to invisalign english 3 downloaded from careers schellgames com on 2021 02 05 by guest 2015 04 01 eliakim mizrahi

clear correct vs invisalign an in depth comparison the teeth - Aug 21 2023

web invisalign treatment invisalign clear aligners the ultimate guide to paring invisalign and other clear what s the difference

between sdc vs invisalign the ultimate guide to

a clear difference a guide to invisalign english full pdf - Apr 05 2022

web mar 11 2015 when invisalign was introduced in the late 1990s the world rejoiced finally crooked teeth could be set straight without the use of traditional metal braces

a clear difference a guide to invisalign english edition by - Jul 20 2023

web see how other treatment options stack up to invisalign treatment just deciding you re ready to transform your smile is a big step the next step is deciding the best way for you

clear aligner vs invisalign all you need to know toothific - May 18 2023

web clear aligners vs invisalign what s the difference want to straighten your teeth but don t know if you should choose invisalign or another brand of clear aligners this

a clear difference a guide to invisalign english - Nov 12 2022

web invisalign clear aligners are the alternative teeth straightening treatment to braces of teeth for kids teens and adults find an invisalign trained doctor near you today

invisalign vs other treatment options invisalign - Mar 16 2023

web a clear difference a guide to invisalign english the complete guide to understanding invisalign sep 25 2022 a book written to help the average person to understand how

clearcorrect vs invisalign putnam orthodontics - Jul 08 2022

web jul 20 2020 one major difference between invisalign and clearcorrect is the treatment itself although they both use clear aligners the treatment times are much different

difference between invisalign vs braces vs other clear aligners - Jun 19 2023

web sep 18 2023 if you re considering invisalign or clear aligners from other providers this clear aligner vs invisalign comparison will help you understand the main differences

a clear difference a guide to invisalign english pdf uniport edu - Aug 09 2022

web dec 5 2019 invisalign is thicker as compared to clearcorrect clearcorrect is made of a lighter material and comparatively thinner than invisalign invisalign takes 10 12

clear aligners vs invisalign what s the difference - Apr 17 2023

web many people who want a beautifully straight smile may find themselves deciding between invisalign clear aligners vs braces invisalign aligners vs other clear aligner brands

read free a clear difference a guide to invisalign english - Feb 15 2023

web the consumer s guide to invisalign jul 11 2023 whether you are a patient parent or dental healthcare professional the

consumer s guide to invisalign is your blueprint to

invisalign treatment invisalign clear aligners - Oct 11 2022

web apr 2 2023 will guide you to comprehend even more approaching the globe experience some places subsequent to history amusement and a lot more it is your

a clear difference a guide to invisalign english eagldemo2 - Dec 01 2021

a clear difference a guide to invisalign english braincandylive - May 06 2022

web a clear difference a guide to invisalign english atomic habits pearson edexcel a level psychology student guide 2 applications of psychology a thinking person s guide to

clearcorrect vs invisalign wilkinson dental springfield - Mar 04 2022

web feb 23 2023 a clear difference a guide to invisalign english right here we have countless book a clear difference a guide to invisalign english and collections to

what s the difference between clear correct vs invisalign - Dec 13 2022

web for implementing the various aligner techniques this important guide provides theoretical and practical clinical information on different aligner techniques including invisalign

clearcorrect vs invisalign what makes them different - Jun 07 2022

web feb 27 2023 right here we have countless book a clear difference a guide to invisalign english and collections to check out we additionally come up with the

a clear difference a guide to invisalign english full pdf - Sep 10 2022

web aug 8 2023 a clear difference a guide to invisalign english 1 8 downloaded from uniport edu ng on august 8 2023 by guest a clear difference a guide to invisalign

download free a clear difference a guide to invisalign english - Jan 14 2023

web jul 30 2019 but clear correct doesn t usually have a set end date patients tend to wear these aligners much longer than their counterpart clear correct vs invisalign the

a clear difference a guide to invisalign english pdf - Jan 02 2022

web guide 2 applications of psychology a clear difference a guide to invisalign english downloaded from eagldemo2 eagltechnology com by guest demarion brown

ward brown james churchill ruel w complex variables and - Mar 29 2022

web mar 6 2015 complex variables and applications 9e will serve just as the earlier editions did as a textbook for an introductory course in the theory and application of

[complex variables and applications virtual university of pakistan](#) - May 31 2022

web buy a cheap copy of complex variables and applications book by ruel v churchill complex variables and applications 9e will serve just as the earlier editions did as a

complex variables and applications brown and - May 11 2023

web step by step video answers explanations by expert educators for all complex variables and applications 9th by james brown ruel churchill only on numerade com

brown j churchill r complex variables and applications - Feb 25 2022

web brown and churchill complex variables and applications 9e whispering the secrets of language an mental quest through brown and churchill complex variables and

complex variables and applications brown and churchill - Jul 13 2023

web complex variables and applications brown and churchill

complex variables and applications book by ruel v churchill - Apr 29 2022

web mar 25 2018 9th edition mcgraw hill education 2013 480 p complex variables and applications 9e will serve just as the earlier editions did as a textbook for an

download brown j w churchill r v complex variables and - Jul 01 2022

web brown james ward complex variables and applications james ward brown ruel v churchill 8th ed p cm includes bibliographical references and index isbn

[complex variables and applications 9th edition quizlet](#) - Nov 05 2022

web theory and application of functions of a complex variable this edition preserves the basic content and style of the earlier editions the first two of which were written by the late

complex variables and applications edition 9 by ruel churchill - Feb 08 2023

web hardcover 9 march 2013 complex variables and applications 9e will serve just as the earlier editions did as a textbook for an introductory course in the theory and

complex variables and applications brown google books - Jun 12 2023

web aug 30 2013 brown mcgraw hill higher education aug 30 2013 electronic books 478 pages complex variables and applications 9e will serve just as the earlier

complex variables and applications brown and churchill 9th - Sep 03 2022

web oct 16 2013 this is a classic textbook that specialises in the techniques and applications of advanced mathematics in physical science and engineering complex variables and

[complex variables and applications 9th edition](#) - Oct 24 2021

complex variables and applications brown james ward - Jan 07 2023

web complex variables and applications 9e will serve just as the earlier editions did as a textbook for an introductory course in the theory and application of functions of a

complex variables and applications seventh edition archive org - Oct 04 2022

web complex variables and applications brown and churchill series complex variables and applications 9th edition fourier 24 678 7 000 3mb pages 478 page

complex variables and applications brown and churchill - Dec 06 2022

web now with expert verified solutions from complex variables and applications 9th edition you ll learn how to solve your toughest homework problems our resource for complex

complex variables and applications mcgraw hill - Aug 14 2023

web sep 3 2013 complex variables and applications 9th edition isbn10 0073383171 isbn13 9780073383170 by james brown and ruel churchill 2014 purchase

solutions for complex variables and applications 9th by james - Apr 10 2023

web sep 3 2013 ruel v churchill prof james ward brown mcgraw hill education sep 3 2013 mathematics 480 pages complex variables and applications 9e will serve

complex variables and applications by brown and churchill - Nov 24 2021

web sep 3 2013 acquire who 9e of complex variables furthermore applications by james brown and ruel churchill textbook ebook and other options isbn 9780073383170

complex variables and applications 8th edition james ward - Dec 26 2021

web may 6 2017 by far my favorite sections are those on conformal mapping the presentation is quite good for applications in most ways churchill and brown is better than the

complex variables and applications brown and - Sep 22 2021

complex variables and applications ruel v churchill prof - Mar 09 2023

web sep 3 2013 complex variables and applications 9e will serve just as the earlier editions did as a textbook for an introductory course in the theory and application of

brown and churchill complex variables and applications 9e - Jan 27 2022

web complex variables and applications 8th edition james ward brown ruel v churchill mcgraw hill 2008 pdf google drive sign in

complex variables and applications brown and churchill - Aug 02 2022

Mechanics Of Machines Elementary Theory And Examples Solution

web download brown j w churchill r v complex variables and applications 9th ed mcgraw type pdf date november 2019 size 39 2mb this document was