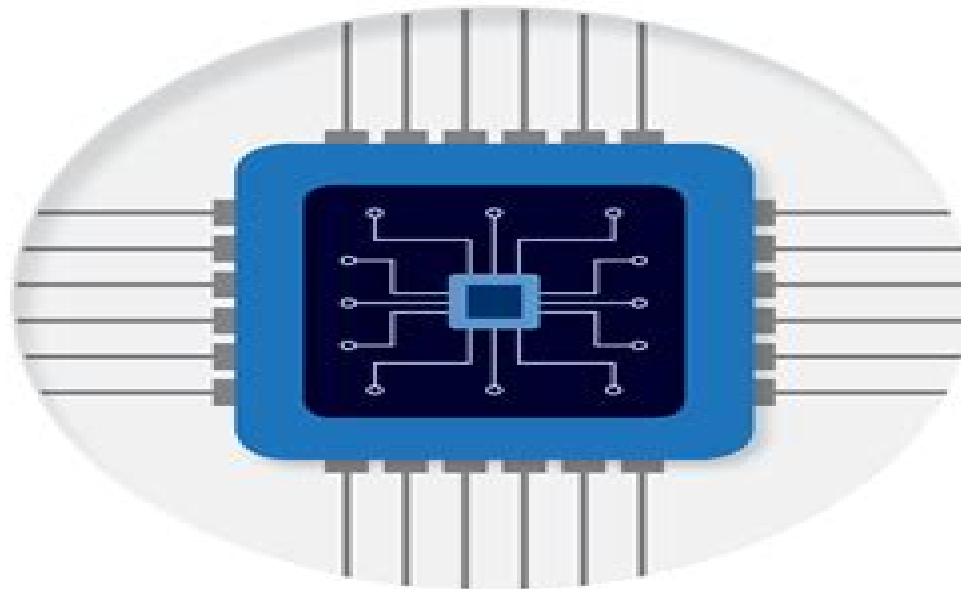


SEDRA/SMITH

Microelectronic Circuits

EIGHTH EDITION

ADEL S. SEDRA | KENNETH C. SMITH | TONY CHAN CARUSONE | VINCENT GAUDET



Microelectronic Circuits 5th Edition Scribd

Adel S. Sedra, Kenneth C. Smith



Microelectronic Circuits 5th Edition Scribd:

This is likewise one of the factors by obtaining the soft documents of this **Microelectronic Circuits 5th Edition Scribd** by online. You might not require more period to spend to go to the books opening as competently as search for them. In some cases, you likewise accomplish not discover the pronouncement Microelectronic Circuits 5th Edition Scribd that you are looking for. It will definitely squander the time.

However below, afterward you visit this web page, it will be as a result totally simple to get as competently as download guide Microelectronic Circuits 5th Edition Scribd

It will not resign yourself to many time as we explain before. You can complete it even though sham something else at house and even in your workplace. correspondingly easy! So, are you question? Just exercise just what we manage to pay for below as without difficulty as review **Microelectronic Circuits 5th Edition Scribd** what you similar to to read!

https://py.bijouxmedusa.com/public/detail/Documents/Ht2000_Motherboard_Driver_.pdf

Table of Contents Microelectronic Circuits 5th Edition Scribd

1. Understanding the eBook Microelectronic Circuits 5th Edition Scribd
 - The Rise of Digital Reading Microelectronic Circuits 5th Edition Scribd
 - Advantages of eBooks Over Traditional Books
2. Identifying Microelectronic Circuits 5th Edition Scribd
 - Exploring Different Genres
 - Considering Fiction vs. Non-Fiction
 - Determining Your Reading Goals
3. Choosing the Right eBook Platform
 - Popular eBook Platforms
 - Features to Look for in an Microelectronic Circuits 5th Edition Scribd
 - User-Friendly Interface
4. Exploring eBook Recommendations from Microelectronic Circuits 5th Edition Scribd

- Personalized Recommendations
 - Microelectronic Circuits 5th Edition Scribd User Reviews and Ratings
 - Microelectronic Circuits 5th Edition Scribd and Bestseller Lists
5. Accessing Microelectronic Circuits 5th Edition Scribd Free and Paid eBooks
 - Microelectronic Circuits 5th Edition Scribd Public Domain eBooks
 - Microelectronic Circuits 5th Edition Scribd eBook Subscription Services
 - Microelectronic Circuits 5th Edition Scribd Budget-Friendly Options
 6. Navigating Microelectronic Circuits 5th Edition Scribd eBook Formats
 - ePub, PDF, MOBI, and More
 - Microelectronic Circuits 5th Edition Scribd Compatibility with Devices
 - Microelectronic Circuits 5th Edition Scribd Enhanced eBook Features
 7. Enhancing Your Reading Experience
 - Adjustable Fonts and Text Sizes of Microelectronic Circuits 5th Edition Scribd
 - Highlighting and Note-Taking Microelectronic Circuits 5th Edition Scribd
 - Interactive Elements Microelectronic Circuits 5th Edition Scribd
 8. Staying Engaged with Microelectronic Circuits 5th Edition Scribd
 - Joining Online Reading Communities
 - Participating in Virtual Book Clubs
 - Following Authors and Publishers Microelectronic Circuits 5th Edition Scribd
 9. Balancing eBooks and Physical Books Microelectronic Circuits 5th Edition Scribd
 - Benefits of a Digital Library
 - Creating a Diverse Reading Collection Microelectronic Circuits 5th Edition Scribd
 10. Overcoming Reading Challenges
 - Dealing with Digital Eye Strain
 - Minimizing Distractions
 - Managing Screen Time
 11. Cultivating a Reading Routine Microelectronic Circuits 5th Edition Scribd
 - Setting Reading Goals Microelectronic Circuits 5th Edition Scribd
 - Carving Out Dedicated Reading Time
 12. Sourcing Reliable Information of Microelectronic Circuits 5th Edition Scribd

- Fact-Checking eBook Content of Microelectronic Circuits 5th Edition Scribd
 - Distinguishing Credible Sources
13. Promoting Lifelong Learning
- Utilizing eBooks for Skill Development
 - Exploring Educational eBooks
14. Embracing eBook Trends
- Integration of Multimedia Elements
 - Interactive and Gamified eBooks

Microelectronic Circuits 5th Edition Scribd Introduction

In today's digital age, the availability of Microelectronic Circuits 5th Edition Scribd books and manuals for download has revolutionized the way we access information. Gone are the days of physically flipping through pages and carrying heavy textbooks or manuals. With just a few clicks, we can now access a wealth of knowledge from the comfort of our own homes or on the go. This article will explore the advantages of Microelectronic Circuits 5th Edition Scribd books and manuals for download, along with some popular platforms that offer these resources. One of the significant advantages of Microelectronic Circuits 5th Edition Scribd books and manuals for download is the cost-saving aspect. Traditional books and manuals can be costly, especially if you need to purchase several of them for educational or professional purposes. By accessing Microelectronic Circuits 5th Edition Scribd versions, you eliminate the need to spend money on physical copies. This not only saves you money but also reduces the environmental impact associated with book production and transportation. Furthermore, Microelectronic Circuits 5th Edition Scribd books and manuals for download are incredibly convenient. With just a computer or smartphone and an internet connection, you can access a vast library of resources on any subject imaginable. Whether you're a student looking for textbooks, a professional seeking industry-specific manuals, or someone interested in self-improvement, these digital resources provide an efficient and accessible means of acquiring knowledge. Moreover, PDF books and manuals offer a range of benefits compared to other digital formats. PDF files are designed to retain their formatting regardless of the device used to open them. This ensures that the content appears exactly as intended by the author, with no loss of formatting or missing graphics. Additionally, PDF files can be easily annotated, bookmarked, and searched for specific terms, making them highly practical for studying or referencing. When it comes to accessing Microelectronic Circuits 5th Edition Scribd books and manuals, several platforms offer an extensive collection of resources. One such platform is Project Gutenberg, a nonprofit organization that provides over 60,000 free eBooks. These books are primarily in the public domain, meaning they can be freely distributed and downloaded. Project Gutenberg offers a wide

range of classic literature, making it an excellent resource for literature enthusiasts. Another popular platform for Microelectronic Circuits 5th Edition Scribd books and manuals is Open Library. Open Library is an initiative of the Internet Archive, a non-profit organization dedicated to digitizing cultural artifacts and making them accessible to the public. Open Library hosts millions of books, including both public domain works and contemporary titles. It also allows users to borrow digital copies of certain books for a limited period, similar to a library lending system. Additionally, many universities and educational institutions have their own digital libraries that provide free access to PDF books and manuals. These libraries often offer academic texts, research papers, and technical manuals, making them invaluable resources for students and researchers. Some notable examples include MIT OpenCourseWare, which offers free access to course materials from the Massachusetts Institute of Technology, and the Digital Public Library of America, which provides a vast collection of digitized books and historical documents. In conclusion, Microelectronic Circuits 5th Edition Scribd books and manuals for download have transformed the way we access information. They provide a cost-effective and convenient means of acquiring knowledge, offering the ability to access a vast library of resources at our fingertips. With platforms like Project Gutenberg, Open Library, and various digital libraries offered by educational institutions, we have access to an ever-expanding collection of books and manuals. Whether for educational, professional, or personal purposes, these digital resources serve as valuable tools for continuous learning and self-improvement. So why not take advantage of the vast world of Microelectronic Circuits 5th Edition Scribd books and manuals for download and embark on your journey of knowledge?

FAQs About Microelectronic Circuits 5th Edition Scribd Books

How do I know which eBook platform is the best for me? Finding the best eBook platform depends on your reading preferences and device compatibility. Research different platforms, read user reviews, and explore their features before making a choice. Are free eBooks of good quality? Yes, many reputable platforms offer high-quality free eBooks, including classics and public domain works. However, make sure to verify the source to ensure the eBook credibility. Can I read eBooks without an eReader? Absolutely! Most eBook platforms offer webbased readers or mobile apps that allow you to read eBooks on your computer, tablet, or smartphone. How do I avoid digital eye strain while reading eBooks? To prevent digital eye strain, take regular breaks, adjust the font size and background color, and ensure proper lighting while reading eBooks. What the advantage of interactive eBooks? Interactive eBooks incorporate multimedia elements, quizzes, and activities, enhancing the reader engagement and providing a more immersive learning experience. Microelectronic Circuits 5th Edition Scribd is one of the best book in our library for free trial. We provide copy of Microelectronic Circuits 5th Edition Scribd in digital format, so the resources that you find are reliable. There are also many Ebooks of related with Microelectronic

Circuits 5th Edition Scribd. Where to download Microelectronic Circuits 5th Edition Scribd online for free? Are you looking for Microelectronic Circuits 5th Edition Scribd PDF? This is definitely going to save you time and cash in something you should think about. If you trying to find then search around for online. Without a doubt there are numerous these available and many of them have the freedom. However without doubt you receive whatever you purchase. An alternate way to get ideas is always to check another Microelectronic Circuits 5th Edition Scribd. This method for see exactly what may be included and adopt these ideas to your book. This site will almost certainly help you save time and effort, money and stress. If you are looking for free books then you really should consider finding to assist you try this. Several of Microelectronic Circuits 5th Edition Scribd are for sale to free while some are payable. If you arent sure if the books you would like to download works with for usage along with your computer, it is possible to download free trials. The free guides make it easy for someone to free access online library for download books to your device. You can get free download on free trial for lots of books categories. Our library is the biggest of these that have literally hundreds of thousands of different products categories represented. You will also see that there are specific sites catered to different product types or categories, brands or niches related with Microelectronic Circuits 5th Edition Scribd. So depending on what exactly you are searching, you will be able to choose e books to suit your own need. Need to access completely for Campbell Biology Seventh Edition book? Access Ebook without any digging. And by having access to our ebook online or by storing it on your computer, you have convenient answers with Microelectronic Circuits 5th Edition Scribd To get started finding Microelectronic Circuits 5th Edition Scribd, you are right to find our website which has a comprehensive collection of books online. Our library is the biggest of these that have literally hundreds of thousands of different products represented. You will also see that there are specific sites catered to different categories or niches related with Microelectronic Circuits 5th Edition Scribd So depending on what exactly you are searching, you will be able to choose ebook to suit your own need. Thank you for reading Microelectronic Circuits 5th Edition Scribd. Maybe you have knowledge that, people have search numerous times for their favorite readings like this Microelectronic Circuits 5th Edition Scribd, but end up in harmful downloads. Rather than reading a good book with a cup of coffee in the afternoon, instead they juggled with some harmful bugs inside their laptop. Microelectronic Circuits 5th Edition Scribd is available in our book collection an online access to it is set as public so you can download it instantly. Our digital library spans in multiple locations, allowing you to get the most less latency time to download any of our books like this one. Merely said, Microelectronic Circuits 5th Edition Scribd is universally compatible with any devices to read.

Find Microelectronic Circuits 5th Edition Scribd :

ht2000 motherboard driver

[hysys simulation examples reactor slibforme pdf](#)

hubungan antara kematangan emosi dan kontrol diri dengan

[human resource management gaining a competitive](#)

huckleberry finn questions and answers by chapters

[horizon perfect binder](#)

how to draw plants the techniques of botanical illustration

[hotel engineering daily checklist](#)

[if5098 reading comprehension answers](#)

[how to read egyptian hieroglyphs a step by step to teach yourself](#)

[hrm exam questions and model answers](#)

hospitality and tourism management course syllabus

[hsc chemistry 2014](#)

[honda transalp motorcycle service repair manual 1990 1991 1992 1993 1994 1995 1996 1997 1998 1999](#)

[houghton mifflin english workbook plus grade 8](#)

Microelectronic Circuits 5th Edition Scribd :

[ccna 2 pka files vlan crm vasista in](#) - Apr 15 2022

ccna 2 pka files vlan downloaded from crm vasista in by guest kyleigh chapman lan switching and wireless taylor francis designing and supporting computer networks ccna discovery learning guide is the official supplemental textbook for the designing and supporting computer networks course in the cisco networking academy ccna discovery

[7 4 2 lab implement dhcpv4 answers itexamanswers](#) - Nov 22 2022

sep 30 2020 part 1 build the network and configure basic device settings part 2 configure and verify two dhcpv4 servers on r1 part 3 configure and verify a dhcp relay on r2 background scenario the dynamic host configuration protocol dhcp is a network protocol that lets network administrators manage and automate the assignment of ip addresses

ccna 2 srwe final pt skills assessment ptsa answers - May 17 2022

nov 11 2022 part 1 build the network part 2 configure initial device settings part 3 configure network infrastructure settings vlans trunking etherchannel part 4 configure host support introduction in this packet tracer skills assessment ptsa you will configure the devices in

[6 2 4 packet tracer ccna exam answers](#) - Dec 12 2021

feb 15 2020 part 1 configure basic switch settings a assign each switch a hostname according to the topology diagram b

before beginning the link aggregation between switches verify the existing configuration of the ports that connect the switches to ensure that the ports will successfully join the etherchannels

cisco ccna 200 301 what is a vlan and configuration - Jul 19 2022

the management vlan is the vlan you use to connect to your switch through telnet ssh http or snmp and configure it it s a bad practice to use vlan 1 for this operation that is the default vlan on a cisco switch and you should avoid using it voice vlans just like the name suggests are used to carry voice traffic

ccna 2 v7 exam answers switching routing and wireless - May 29 2023

dec 12 2019 ccna 2 v7 0 the second course in the ccna curriculum focuses on switching technologies and router operations that support small to medium business networks and includes wireless local area networks wlan and security concepts students learn key switching and routing concepts

ccna 2 4 4 8 resolución de problemas de inter vlan routing - Apr 27 2023

1 9k views 10 months ago 4 4 8 packet tracer resolución de problemas de inter vlan routing español 4 4 8 packet tracer troubleshoot inter vlan routing ccna 2 switching routing y

3 6 2 lab implement vlans and trunking answers ccna - Jan 25 2023

sep 29 2020 part 1 build the network and configure basic device settings part 2 create vlans and assign switch ports part 3 configure an 802 1q trunk between the switches background scenario modern switches use virtual local area networks vlans to improve network performance by separating large layer 2 broadcast domains into smaller ones

ccna 2 pka files vlan 2022 dotnbnm - Mar 15 2022

ccna 2 pka files vlan abcs of z os system programming tcl scripting for cisco ios switching routing and wireless essentials companion guide ccnav7 designing and supporting computer networks ccna discovery learning guide introduction to networks companion guide ccnav7 routing protocols and concepts designing and supporting

vlan trunks ccna 200 301 - Jun 17 2022

trunk configuration example in the figure vlans 10 20 and 30 support the faculty student and guest computers pc1 pc2 and pc3 the f0 1 port on switch s1 is configured as a trunk port and forwards traffic for vlans 10 20 and 30 vlan 99 is configured as the native vlan

ccna 2 v6 0 study material chapter 6 vlans itexamanswers - Jul 31 2023

sep 7 2017 explain the purpose of vlans in a switched network explain how a switch forwards frames based on vlan configuration in a multi switch environment configure a switch port to be assigned to a vlan based on requirements configure a trunk port on a lan switch

3 6 1 packet tracer implement vlans and trunking - Sep 01 2023

feb 14 2020 ccna 2 v7 lab 3 6 1 packet tracer implement vlans and trunking instructions answer pdf pka file download completed 100 scored 2019 2020 2021

implement vlans and trunking instructions answer ccna - Sep 20 2022

feb 14 2020 ccna 2 version 7 ccna v7 0 february 14 2020 3 6 1 packet tracer implement vlans and trunking instructions answer 430 views 0 by ccna exam answers 3 6 1 packet tracer implement vlans and trunking instructor version addressing table objectives part 1 configure vlans part 2 assign ports to vlans part 3 configure static

ccna 2 3 6 1 packet tracer implementar vlan y trunking - Mar 27 2023

nov 16 2021 pka drive google com file d 1j9cw 3 6 1 packet tracer implementar vlan y trunking español 3 6 1 packet tracer implement vlans and trunking ccna 2 switching routing and wireless

ccna what is a vpn certification kits com - Nov 10 2021

site to site vpns are extensions of the classic wans an organization can use site to site vpn to connect a branch office to the headquarters network for example in site to site vpns the traffic is routed through a vpn gateway such as a router pix firewall appliance or an adaptive security appliance asa

4 5 2 lab implement inter vlan routing answers ccna - Aug 20 2022

sep 30 2020 part 1 build the network and configure basic device settings part 2 create vlans and assign switch ports part 3 configure an 802 1q trunk between the switches part 4 configure inter vlan routing on the router part 5 verify inter vlan routing is working

ccna cisco vlan trunking protocol certification kits com - Dec 24 2022

vlan trunking protocol vtp is a cisco layer 2 messaging protocol that manages the addition deletion and renaming of vlans on a network wide basis virtual local area network vlan trunk protocol vtp reduces administration in a switched network when you configure a new vlan on one vtp server the vlan is distributed through all switches

inter vlan routing configuration ateneo de davao university - Jan 13 2022

configure router on a stick inter vlan routing in this activity you will check for connectivity prior to implementing inter vlan routing you will then configure vlans and inter vlan routing finally you will enable trunking and verify connectivity between vlans packet tracer configuring router on a stick inter vlan routing instructions

6 2 1 7 packet tracer configuring vlans instructions answers - Jun 29 2023

jan 15 2017 part 2 configure vlans step 1 create and name vlans on s1 step 2 verify the vlan configuration step 3 create the vlans on s2 and s3 step 4 verify the vlan configuration part 3 assign vlans to ports step 1 assign vlans to the active ports on s2 step 2 assign vlans to the active ports on s3

3 3 12 packet tracer vlan configuration instructions answer - Oct 02 2023

feb 14 2020 part 1 verify the default vlan configuration part 2 configure vlans part 3 assign vlans to ports background vlans are helpful in the administration of logical groups allowing members of a group to be easily moved changed or added this activity focuses on creating and naming vlans and assigning access ports to specific vlans

[github let s build from here github](#) - Oct 22 2022

payload allshortcutsenabled false filetype ccna v7 labs switching routing and wireless networks items name 1 3 6 packet tracer configure ssh pka path ccna v7 labs switching routing and wireless networks 1 3 6 packet tracer configure ssh pka contenttype file name 1 4 7 packet tracer configure router

ccna vlans network direction - Feb 23 2023

switching switches traditionally operate at layer 2 although many are capable of layer 3 routing functions as well at layer 2 they primarily work with ethernet frames and mac addresses when frames are sent through the network they are rewritten by layer 3 devices

3 2 vlan implementation vlans ccna 2 chapter 3 youtube - Feb 11 2022

explain the purpose of vlans in a switched network analyze how a switch forwards frames based on vlan configuration in a multi switched environment configure

the everything parent s guide to common core math grades k 5 - Dec 26 2021

the everything parent s guide to common core math grades k - Apr 10 2023

web if you want to help your children with homework you ll need to learn these new methods which focus on critical thinking and conceptual understanding with the help of

the everything parent s guide to common core math grades 6 8 - Sep 03 2022

web abebooks com the everything parent s guide to common core math grades 6 8 understand the new math standards to help your child learn and succeed

[the everything parent s guide to common core math grades 6](#) - May 31 2022

web the everything parent s guide to common core math grades 6 8 features examples and exercises that correspond to each standard so you ll have the confidence you need

the everything parent s guide to common core - May 11 2023

web jan 18 2015 the everything parent s guide to common core math grades 6 8 features examples and exercises that correspond to each standard so you ll have the

the everything parent s guide to common core math worldcat org - Nov 05 2022

web dec 12 2014 the everything parent s guide to common core math grades 6 8 understand the new math standards to

help your child learn and succeed show full

the everything parent s guide to common core math grades 6 8 - Jul 13 2023

web the everything parent s guide to common core math grades 6 8 understand the new math standards to help your child learn and succeed sirois jamie l author free

the everything parent s guide to common core math grades 6 8 - Feb 25 2022

web may 8 2015 take the mystery out of common core math the common core a new set of national educational standards has been adopted by 45 states across the nation

the everything parent s guide to common core math grades 6 - Dec 06 2022

web dec 12 2014 amazon com the everything parent s guide to common core math grades 6 8 understand the new math standards to help your child learn and

the everything parent s guide to common core math - Sep 22 2021

the everything parent s guide to common core math grades k - Mar 29 2022

web with easy to understand examples problem solving tips and lots of practice exercises the everything parent s guide to common core math grades k 5 will give you the

the everything parent s guide to common core math grades 6 - Jan 27 2022

web aug 21 2019 common core math is designed to give kids a better handle on the kinds of math problems us grown ups do every day and as a bonus it sneaks in the foundations

the everything parent s guide to common core math grades 6 - Aug 02 2022

web this guide aims to familiarize parents with common core math help them understand its concepts and provide suggestions and ideas to enable parents to help their kids

the parent s guide to common core math quotacy - Oct 24 2021

the everything parent s guide to common core math grades 6 8 - Jul 01 2022

web abebooks com the everything parent s guide to common core math grades k 5 9781440586804 by brennan jim and a great selection of similar new used and

the everything parent s guide to common core math - Aug 14 2023

web the everything parent s guide to common core math grades 6 8 understand the new math standards to help your child learn and succeed everything series adam a

understanding common core math as a parent study com - Apr 29 2022

web dec 12 2014 the everything parent s guide to common core math grades 6 8 features examples and exercises that correspond to each standard so you ll have the

the everything parent s guide to common core math grades 6 8 - Jun 12 2023

web may 8 2015 with easy to understand examples problem solving tips and lots of practice exercises the everything parent s guide to common core math grades k 5 will

the everything parent s guide to common core math grades 6 8 - Feb 08 2023

web the everything parent s guide to common core math understand the new math standards to help your child learn and succeed grades 6 8 1 reviews authors jamie l

the everything parent s guide to common core math grades 6 8 - Oct 04 2022

web the everything parent s guide to common core math grades 6 8 understand the new math standards to help your child learn and succeed sirois jamie l wiggin adam

the everything parent s guide to common core math grades 6 8 - Jan 07 2023

web the everything parent s guide to common core math grades 6 8 understand the new math standards to help your child learn and succeed sirois jamie l wiggin adam

common core math grades k 5 the everything parent s - Nov 24 2021

the everything parent s guide to common core math - Mar 09 2023

web the everything parent s guide to common core math grades 6 8 features examples and exercises that correspond to each standard so you ll have the confidence you need

istqb certification exam online mock test 2 guru99 - Nov 30 2022

web updated september 9 2023 this istqb certification exam practice test contains 40 istqb questions and answers with 1 mark each you can only select one answer to a question you need minimum 20 marks in order to pass this free online istqb quiz

sample exam questions astqb - Apr 04 2023

web sample exam set a version 1 0 istqb 1 in this sample exam the questions are sorted by the lo they target this cannot be expected of a live exam certified tester foundation level sample exams set a sample exam questions v1 0 page 7 of 30 2023 04 21

istqb sample paper - Jan 01 2023

web this document contains sample questions collected and collated from various exam sites user forums blogs and recent sample questions provided by examinees for more sample questions visit istqb guru istqb guru istqb sample papers 2010

2011 2 istqb guru

sample exam questions istqb - Jun 06 2023

web sample exam questions version 1 3 1 released june 3 2021 international software testing qualifications board sample exam questions sample exam set a version 1 3 1 istqb test manager syllabus advanced level compatible with syllabus version 2021 international software testing qualifications board

81 istqb quizzes questions answers trivia proprofs - Feb 19 2022

web nov 6 2023 quiz is based on sample questions from the istqb official 2012 test manager advanced exam the practice quiz will present 30 random questions from 56 and is limited to 1 hour the official istqb ctal tm exam is 65

istqb certification complete exam study material with mock - Oct 30 2022

web oct 21 2023 top 3 topics istqb aspirants should focus on testing techniques important testing techniques to focus on are equivalence partitioning and boundary value analysis and related mathematical question test review testing fundamentals important topics to focus on is the stlc principles of testing early testing

istqb certification exam questions sample questions - Sep 28 2022

web istqb certification exam questions sample questions testprep courses resources pro plans new business new istqb home vendor istqb testing advanced level technical analyst atta istqb free practice test advanced level test manager atm istqb free practice test certified tester foundation level free practice test other

500 istqb sample question papers with answers istqb guru - Oct 10 2023

web dec 14 2022 if you are preparing for istqb foundation level certification exam then here is 500 istqb sample questions for your preparation the questions are in pdf format the first pdf contains 500 questions and the second pdf contains the answers to the 500 questions download the sample papers and start your preparation for istqb

sample exam questions istqb - Jun 25 2022

web given the wide variety of formats and subjects these sample questions should offer many ideas for the individual member boards on how to create good questions and appropriate answer sets for their examinations instructions the question set is organized in the following way question including any scenario followed by the question stem

latest istqb questions with answers istqb guru - Apr 23 2022

web correct answer d integration testing focuses on interactions between components or systems component integration testing focuses on the interactions and interfaces between integrated components system integration testing focuses on the interactions and interfaces between systems packages and microservices

istqb foundation exam sample question papers archives - Feb 02 2023

web istqb certification exam sample papers q 1001 to 1010 istqb certification exam sample papers q 991 to 1000 istqb

certification exam sample papers q 981 to 990

istqb sample papers 2023 online mock test download question - Mar 23 2022

web may 15 2022 syntax testing boundary value analysis answer 2 question 4 which of the following has highest level of independence in which test cases are designed by persons who write the software under test designed by a person from a different section designed by a person from a different organization designed by another person answer 3

istqb syllabus sample exam questions answers and glossary istqb - Aug 08 2023

web istqb sample exams syllabi and glossary download the free istqb practice exams istqb question and answers istqb syllabus and istqb software testing glossary by clicking on the tabs above and then selecting below

istqb practice test 2023 exam questions answers testmocks - Sep 09 2023

web practice free online istqb certification sample mock test series download istqb solved model exam pdf papers with previous years questions and answers istqb certification exam dumps what is istqb certification exam 2023 istqb certification exam is conducted by the international software testing qualifications board

10 sample exams istqb foundation level ctfl v4 0 new udemy - Mar 03 2023

web what you ll learn successfully prepare and pass the istqb certified tester foundation level ctfl version 2023 v4 0 new 10 sample exams for training before the real istqb exam all necessary information about istqb certification foundation level exam structure and

istqb testing certification sample question papers with answers - May 05 2023

web dec 23 2014 a series of 3 istqb foundation level sample questions papers with answers are included here these papers would definitely help anyone to clear the istqb exam successfully

sample exams german testing board - Jul 27 2022

web sample exams feedback to the sample exams please send us your feedback to the sample exams at feedback gtb de please note that official istqb materials course materials test questions etc are only available from training providers or certification authorities authorized by the istqb the gtb or other national istqb boards

agile tester istqb not for profit association - May 25 2022

web the istqb foundation level agile tester ctfl at certification provides the key testing skills necessary to successfully contribute to an agile project sample exam questions v1 3 771kb downloads 6 822 sample exam answers v1 3 883kb downloads 3 821 exam structures and rules exam structures and rules v1 1 828kb downloads

istqb certification exam mock tests for foundation and advanced - Jul 07 2023

web istqb online mock tests and sample questions for istqb certification exam preparation istqb topic based tests foundation level fundamentals of testing view questions take test static testing techniques view questions take test testing throughout

the software lifecycle view questions take test test design techniques view questions take test

istqb performance testing sample exam questions udemy - Aug 28 2022

web one of the fundamental levels of istqb certification is performance testing which focuses on assessing the performance of software systems to help aspiring candidates enhance their skills and prepare for the exam the istqb has compiled a