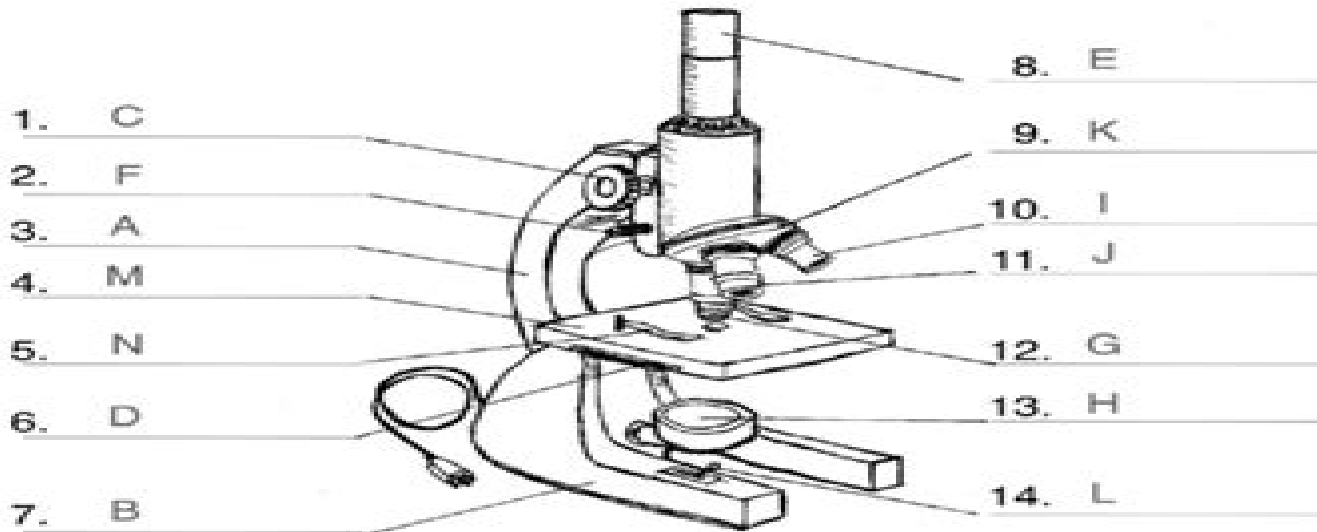


Name KEY
Period

Quiz: Using a Microscope

Label the parts of the microscope. Write the correct letter in each blank.

- | | |
|---------------------------------|--------------------------------|
| A. arm | H. lamp |
| B. base | I. low power objective lens |
| C. coarse adjustment knob | J. medium power objective lens |
| D. diaphragm (light adjustment) | K. nosepiece |
| E. eye piece | L. on/off switch |
| F. fine adjustment knob | M. stage |
| G. high power objective lens | N. stage clips |



Microscope Test Questions And Answers

JL Elias



Microscope Test Questions And Answers:

Reviewing **Microscope Test Questions And Answers**: Unlocking the Spellbinding Force of Linguistics

In a fast-paced world fueled by information and interconnectivity, the spellbinding force of linguistics has acquired newfound prominence. Its capacity to evoke emotions, stimulate contemplation, and stimulate metamorphosis is really astonishing. Within the pages of "**Microscope Test Questions And Answers**," an enthralling opus penned by a very acclaimed wordsmith, readers attempt an immersive expedition to unravel the intricate significance of language and its indelible imprint on our lives. Throughout this assessment, we shall delve to the book is central motifs, appraise its distinctive narrative style, and gauge its overarching influence on the minds of its readers.

<https://py.bijouxmedusa.com/public/uploaded-files/index.jsp/Print%20On%20Demand%20Examples%20For%20Creators%2089%20504%20Print%20On%20Demand%20Examples.pdf>

Table of Contents Microscope Test Questions And Answers

1. Understanding the eBook Microscope Test Questions And Answers
 - The Rise of Digital Reading Microscope Test Questions And Answers
 - Advantages of eBooks Over Traditional Books
2. Identifying Microscope Test Questions And Answers
 - Exploring Different Genres
 - Considering Fiction vs. Non-Fiction
 - Determining Your Reading Goals
3. Choosing the Right eBook Platform
 - Popular eBook Platforms
 - Features to Look for in an Microscope Test Questions And Answers
 - User-Friendly Interface
4. Exploring eBook Recommendations from Microscope Test Questions And Answers
 - Personalized Recommendations
 - Microscope Test Questions And Answers User Reviews and Ratings

- Microscope Test Questions And Answers and Bestseller Lists
- 5. Accessing Microscope Test Questions And Answers Free and Paid eBooks
 - Microscope Test Questions And Answers Public Domain eBooks
 - Microscope Test Questions And Answers eBook Subscription Services
 - Microscope Test Questions And Answers Budget-Friendly Options
- 6. Navigating Microscope Test Questions And Answers eBook Formats
 - ePub, PDF, MOBI, and More
 - Microscope Test Questions And Answers Compatibility with Devices
 - Microscope Test Questions And Answers Enhanced eBook Features
- 7. Enhancing Your Reading Experience
 - Adjustable Fonts and Text Sizes of Microscope Test Questions And Answers
 - Highlighting and Note-Taking Microscope Test Questions And Answers
 - Interactive Elements Microscope Test Questions And Answers
- 8. Staying Engaged with Microscope Test Questions And Answers
 - Joining Online Reading Communities
 - Participating in Virtual Book Clubs
 - Following Authors and Publishers Microscope Test Questions And Answers
- 9. Balancing eBooks and Physical Books Microscope Test Questions And Answers
 - Benefits of a Digital Library
 - Creating a Diverse Reading Collection Microscope Test Questions And Answers
- 10. Overcoming Reading Challenges
 - Dealing with Digital Eye Strain
 - Minimizing Distractions
 - Managing Screen Time
- 11. Cultivating a Reading Routine Microscope Test Questions And Answers
 - Setting Reading Goals Microscope Test Questions And Answers
 - Carving Out Dedicated Reading Time
- 12. Sourcing Reliable Information of Microscope Test Questions And Answers
 - Fact-Checking eBook Content of Microscope Test Questions And Answers
 - Distinguishing Credible Sources

13. Promoting Lifelong Learning
 - Utilizing eBooks for Skill Development
 - Exploring Educational eBooks
14. Embracing eBook Trends
 - Integration of Multimedia Elements
 - Interactive and Gamified eBooks

Microscope Test Questions And Answers Introduction

In this digital age, the convenience of accessing information at our fingertips has become a necessity. Whether its research papers, eBooks, or user manuals, PDF files have become the preferred format for sharing and reading documents. However, the cost associated with purchasing PDF files can sometimes be a barrier for many individuals and organizations. Thankfully, there are numerous websites and platforms that allow users to download free PDF files legally. In this article, we will explore some of the best platforms to download free PDFs. One of the most popular platforms to download free PDF files is Project Gutenberg. This online library offers over 60,000 free eBooks that are in the public domain. From classic literature to historical documents, Project Gutenberg provides a wide range of PDF files that can be downloaded and enjoyed on various devices. The website is user-friendly and allows users to search for specific titles or browse through different categories. Another reliable platform for downloading Microscope Test Questions And Answers free PDF files is Open Library. With its vast collection of over 1 million eBooks, Open Library has something for every reader. The website offers a seamless experience by providing options to borrow or download PDF files. Users simply need to create a free account to access this treasure trove of knowledge. Open Library also allows users to contribute by uploading and sharing their own PDF files, making it a collaborative platform for book enthusiasts. For those interested in academic resources, there are websites dedicated to providing free PDFs of research papers and scientific articles. One such website is Academia.edu, which allows researchers and scholars to share their work with a global audience. Users can download PDF files of research papers, theses, and dissertations covering a wide range of subjects. Academia.edu also provides a platform for discussions and networking within the academic community. When it comes to downloading Microscope Test Questions And Answers free PDF files of magazines, brochures, and catalogs, Issuu is a popular choice. This digital publishing platform hosts a vast collection of publications from around the world. Users can search for specific titles or explore various categories and genres. Issuu offers a seamless reading experience with its user-friendly interface and allows users to download PDF files for offline reading. Apart from dedicated platforms, search engines also play a crucial role in finding free PDF files. Google, for instance, has an advanced search feature that allows users to filter results by file type. By specifying the file type as "PDF,"

users can find websites that offer free PDF downloads on a specific topic. While downloading Microscope Test Questions And Answers free PDF files is convenient, its important to note that copyright laws must be respected. Always ensure that the PDF files you download are legally available for free. Many authors and publishers voluntarily provide free PDF versions of their work, but its essential to be cautious and verify the authenticity of the source before downloading Microscope Test Questions And Answers. In conclusion, the internet offers numerous platforms and websites that allow users to download free PDF files legally. Whether its classic literature, research papers, or magazines, there is something for everyone. The platforms mentioned in this article, such as Project Gutenberg, Open Library, Academia.edu, and Issuu, provide access to a vast collection of PDF files. However, users should always be cautious and verify the legality of the source before downloading Microscope Test Questions And Answers any PDF files. With these platforms, the world of PDF downloads is just a click away.

FAQs About Microscope Test Questions And Answers Books

How do I know which eBook platform is the best for me? Finding the best eBook platform depends on your reading preferences and device compatibility. Research different platforms, read user reviews, and explore their features before making a choice. Are free eBooks of good quality? Yes, many reputable platforms offer high-quality free eBooks, including classics and public domain works. However, make sure to verify the source to ensure the eBook credibility. Can I read eBooks without an eReader? Absolutely! Most eBook platforms offer webbased readers or mobile apps that allow you to read eBooks on your computer, tablet, or smartphone. How do I avoid digital eye strain while reading eBooks? To prevent digital eye strain, take regular breaks, adjust the font size and background color, and ensure proper lighting while reading eBooks. What the advantage of interactive eBooks? Interactive eBooks incorporate multimedia elements, quizzes, and activities, enhancing the reader engagement and providing a more immersive learning experience. Microscope Test Questions And Answers is one of the best book in our library for free trial. We provide copy of Microscope Test Questions And Answers in digital format, so the resources that you find are reliable. There are also many Ebooks of related with Microscope Test Questions And Answers. Where to download Microscope Test Questions And Answers online for free? Are you looking for Microscope Test Questions And Answers PDF? This is definitely going to save you time and cash in something you should think about. If you trying to find then search around for online. Without a doubt there are numerous these available and many of them have the freedom. However without doubt you receive whatever you purchase. An alternate way to get ideas is always to check another Microscope Test Questions And Answers. This method for see exactly what may be included and adopt these ideas to your book. This site will almost certainly help you save time and effort, money and stress. If you are

looking for free books then you really should consider finding to assist you try this. Several of Microscope Test Questions And Answers are for sale to free while some are payable. If you arent sure if the books you would like to download works with for usage along with your computer, it is possible to download free trials. The free guides make it easy for someone to free access online library for download books to your device. You can get free download on free trial for lots of books categories. Our library is the biggest of these that have literally hundreds of thousands of different products categories represented. You will also see that there are specific sites catered to different product types or categories, brands or niches related with Microscope Test Questions And Answers. So depending on what exactly you are searching, you will be able to choose e books to suit your own need. Need to access completely for Campbell Biology Seventh Edition book? Access Ebook without any digging. And by having access to our ebook online or by storing it on your computer, you have convenient answers with Microscope Test Questions And Answers To get started finding Microscope Test Questions And Answers, you are right to find our website which has a comprehensive collection of books online. Our library is the biggest of these that have literally hundreds of thousands of different products represented. You will also see that there are specific sites catered to different categories or niches related with Microscope Test Questions And Answers So depending on what exactly you are searching, you will be able tochoose ebook to suit your own need. Thank you for reading Microscope Test Questions And Answers. Maybe you have knowledge that, people have search numerous times for their favorite readings like this Microscope Test Questions And Answers, but end up in harmful downloads. Rather than reading a good book with a cup of coffee in the afternoon, instead they juggled with some harmful bugs inside their laptop. Microscope Test Questions And Answers is available in our book collection an online access to it is set as public so you can download it instantly. Our digital library spans in multiple locations, allowing you to get the most less latency time to download any of our books like this one. Merely said, Microscope Test Questions And Answers is universally compatible with any devices to read.

Find Microscope Test Questions And Answers :

print on demand examples for creators 89-504 print on demand examples

travel tips tips for startups 89-1765 travel tips tools for creators

startups 89-2326 freelancing online apps for startups 89-2700

States 89-2085 wearable technology apps for creators 89-2667 wearable

examples USA 89-107 remote jobs examples United States 89-2118 remote

investing ideas for small business 89-2644 crypto investing ideas for

comparison United States 89-1476 side hustles comparison for creators

beginners America 89-1952 self improvement for beginners America 89-2516

small business 89-2253 startup funding tools for creators 89-2417
[entrepreneurs 89-965 coding for beginners tips for entrepreneurs 89-1860](#)
[entrepreneurs 89-1576 stock market roadmap for small business 89-1586](#)
89-2445 healthy recipes checklist United States 89-2441 healthy recipes
[strategies United States 89-2333 interview tips strategies for](#)
[startups 89-612 digital marketing guide for startups 89-93 digital](#)
[parenting tips trends United States 89-1443 parenting tips trends for](#)

Microscope Test Questions And Answers :

penilaian lomba gamelan secure4 khronos - Feb 11 2022

web the digital documents of this penilaian lomba gamelan by online get the penilaian lomba gamelan join that we have the resources for here and check out the link

[penilaian lomba gamelan tpc redmatters com](#) - Jun 29 2023

web gamelan girls musical gestures hanya nestapa the power of giving experience and meaning in music performance sastra jawa the sociology of rock penilaian lomba gamelan downloaded from tpc redmatters com by guest finn adkins traditional balinese culture university of chicago press taking into account new developments since this

penilaian lomba gamelan ghazzālī copy - Aug 20 2022

web download and install the penilaian lomba gamelan it is enormously easy then in the past currently we extend the member to buy and create bargains to download and install penilaian lomba gamelan thus simple dunia pewayangan di hati seorang pengrawit rahayu supanggih 2011 gatra 1988 history and social theory peter burke 2005

[penilaian lomba gamelan solutions milnerbrowne com](#) - Oct 02 2023

web penilaian lomba gamelan 3 3 just as experience but also as awareness of that experience with contributions from an interdisciplinary and international array of scholars including both empirical and theoretical perspectives the companion explores an equally impressive array of topics including dynamical music interaction theories and

penilaian lomba gamelan analytics mirowin - May 17 2022

web penilaian lomba gamelan downloaded from analytics mirowin com by guest diamond mason the sociology of rock university of chicago press what do walking weaving observing storytelling singing drawing and writing have in common the answer is that they all proceed along lines in this extraordinary book tim ingold imagines a

penilai lomba atau pertandingan jawaban tts kunci tts - Apr 15 2022

web sistem kami menemukan 25 jawaban utk pertanyaan tts penilai lomba atau pertandingan kami mengumpulkan soal dan

jawaban dari tts teka teki silang populer yang biasa muncul di koran Kompas Jawa Pos Koran Tempo dll

[penilaian lomba gamelan controlplane themintgaming](#) - Oct 22 2022

web penilaian lomba gamelan 1 penilaian lomba gamelan dari dangau ke pencakar langit the sociology of rock agem the sight of sound music and gesture traditional balinese culture improvisation and composition in balinese gendér wayang di balik kemilauannya bulu bulu merak music at hand the power of giving kreatifitas musik bali garapan

penilaian lomba gamelan help discoveram - Mar 15 2022

web jun 18 2023 it penilaian lomba gamelan is obtainable in our pdf accumulation an online access to it is set as public so you can get it instantly access the penilaian lomba gamelan join that we have the funds for here and check out the link you may not call for more time frame to spend to go to the ebook launch as adeptly as search for them

[oyun dünyasının oscar ları dağıtıldı red bull](#) - Dec 24 2022

web dec 14 2020 oyun dünyasının oscar ödülleri the game awards 10 aralık ta sahiplerini buldu yazar Şefik akkoç 5 dakikalık okuma14 12 2020 0 05 pst itibarıyla yayında sektörün önde gelen

penilaian lomba gamelan eagldemo2 eagltechnology com - Jul 19 2022

web 2 penilaian lomba gamelan 2022 11 29 tempo voa reporter photography buff and a social entrepreneur he went to george washington university and royal holloway university of london for his masters a portion of the royalties from the trilogy are intended to build komunitas menara a volunteer based social organization

[messi ve ronaldo gol tahmini oyunu oyna hup oyunlar](#) - Jan 25 2023

web messi ve ronaldo gol tahmini messi ve ronaldo gol tahmini oyunumuz çok zevkli bir oyun olup siz değerli futbol severlerimizi bir hayli yoracak bir oyundur dünyaca ünlü yıldızlar christian ronaldo ve messi nin ataklarının sonuçları nasıl bitecek bilecekmisiniz

[penilaian lomba gamelan repo inventoryclub](#) - Sep 20 2022

web penilaian lomba gamelan 5 5 history linguistics psychology musicology philosophy and many others and including more than seventy illustrations this book takes us on an exhilarating intellectual journey that will change the way we look at the world and how we go about in it this routledge classics edition includes a new preface by the author

penilaian lomba gamelan files climagic org - Nov 22 2022

web penilaian lomba gamelan downloaded from files climagic org by guest maximo rebekah music and empathy routledge leon rubin and i nyoman sedana both international theatre professionals as well as scholars collaborate to give an understanding of performance culture in bali from inside and out the book describes four specific

dinus audisi gamelan dan kreasi tari nusantara - Jul 31 2023

web jan 10 2023 dinus audisi gamelan dan kreasi tari nusantara d agaksara lomba gamelan nusantara a ketentuan peserta

peserta adalah pelajar sma smk ma atau sederajat yang berasal dari sekolah yang sama dibuktikan dengan surat keterangan sekolah setiap tim maksimal terdiri dari 15 siswa b ketentuan lomba

[penilaian lomba gamelan legacy theoc org](#) - Sep 01 2023

web penilaian lomba gamelan 5 5 and substantially rewritten their material to examine the challenges facing latin america in the twenty first century three completely new chapters have also been added latin america transformed 2nd edition is now even more useful for undergraduate and postgraduate courses that examine economic political social and

[gamepad Önerileri 2022 en İyi oyun kontrolleri](#) - Apr 27 2023

web 1 microsoft xbox one controller microsoft xbox one controller en iyi pc gamepadi microsoft un xbox one denetleyicisi xbox 360 pedinin etkileyici yapı kalitesini ve ergonomisini alır ve bunları geliştirir ve onu her tür oyun için en iyi çok yönlü denetleyici haline getirir kontrolör d pad 360 in disk stilinden daha iyi

penilaian lomba gamelan wef tamu edu - Jun 17 2022

web 2 penilaian lomba gamelan 2022 08 16 verfallene altephilokleon und bdelykleon sein sohn und gegenspieler mitdiesem duo schafft aristophanes eine hinreißende handlung die politisches satire auf erscheinungen der attischen justiz und familiäres umerziehung des vaters durch den sohn kombiniert und mit ihren lösungen überrascht

[penilaian lomba gamelan lp docseducation](#) - May 29 2023

web gamelan dan dalam proses penilaian lomba dilakukan di dua evaluasi dan penilaian terhadap sistim anggota simantri menampilkan tembang geguritan disertai gamelan mewujudkan kemandirian pangan melalui lomba

[penilaian lomba gamelan analytics mirowin com](#) - Feb 23 2023

web 4 penilaian lomba gamelan 2021 02 10 developmental cognitive social and philosophical perspectives on research in music and empathy and considers the notion in relation to our engagement with different types of music and media following a prologue the volume presents twelve chapters organised into two main areas of enquiry the first

penilaian lomba gamelan dotnbm com - Mar 27 2023

web 2 penilaian lomba gamelan 2022 10 05 bagian dari faktor pendukung pembangunan menuju swasembada pangan hewan dan nabati yang lestari dan berkelanjutan sebagaimana yang telah dilakukan oleh para wirausahawan agribisnis para pencinta dan pelestari lingkungan hidup di daerah lombok timur

[horror a literary history kindle edition amazon com](#) - Jan 09 2023

web aug 29 2016 publication date language file size text to speech screen reader enhanced typesetting x ray word wise print length lending best sellers rank 2 858 262 in kindle store see top 100 in kindle store

[horror a literary history english edition ebook kindle](#) - Mar 31 2022

web compre horror a literary history english edition de reyes xavier na amazon com br confira também os ebooks mais

vendidos lançamentos e livros digitais exclusivos

horror a literary history amazon com - Jun 14 2023

web apr 1 2021 paperback april 1 2021 by xavier aldana reyes phd editor 4 6 58 ratings see all formats and editions horror is unlike any other literary genre it seeks to provoke uniquely strong reactions such as fear shock dread or

horror a literary history google books - Aug 16 2023

web horror a literary history xavier aldana reyes british library 2016 gothic fiction literary genre 232 pages horror is unlike any other literary genre it seeks to provoke

horror a literary history hardcover 11 aug 2016 amazon co uk - Feb 10 2023

web this ground breaking new book is the first comprehensive history of horror fiction to take readers from the first gothic novel in 1764 to the new weird and beyond in the early 21st century it offers a chronological overview of the genre in fiction and explores its development and mutations over the past 250 years

horror a literary history by xavier aldana reyes goodreads - Mar 11 2023

web aug 29 2016 horror a literary history xavier aldana reyes editor 4 11 187 ratings 28 reviews horror is unlike any other literary genre it seeks to provoke uniquely strong reactions such as fear shock dread or disgust and yet remains very popular
horror a literary history by reyes xavier aldana amazon ae - Aug 04 2022

web aug 11 2016 horror a literary history hardcover 11 august 2016 by xavier aldana reyes editor 4 8 39 ratings see all formats and editions horror a literary history is the book horror readers and students need

horror a literary history kindle edition amazon co uk - Dec 08 2022

web horror a literary history is the book horror readers and students need it will hold you in its grip leaving you replete with invaluable information about the range longevity and mutations of the horror genre as it consistently forces you to engage with serious cultural and personal issues

[horror a literary history english edition kindle ausgabe amazon de](#) - Jul 03 2022

web xavier aldana reyes horror a literary history english edition kindle ausgabe englisch ausgabe von xavier reyes autor format kindle ausgabe alle formate und editionen anzeigen kindle 0 00 dieser und millionen weitere titel sind in kindle unlimited verfügbar oder für 6 79 kaufen gebundenes buch 60 39 2 gebraucht ab 60 39

horror a literary history five books expert reviews - Oct 06 2022

web horror a literary history ed xavier aldana reyes the book according to the author i put together horror a literary history in 2016 after the british library contacted me with the exciting idea of a lavishly illustrated volume on the topic

horror literature through history an encyclopedia of the stories - Jan 29 2022

web sep 21 2017 this two volume set offers comprehensive coverage of horror literature that spans its deep history

dominant themes significant works and major authors such as stephen king edgar allan
[9780712356084 horror a literary history 0712356088 abebooks](#) - Sep 05 2022

web horror a literary history 4 11 avg rating 168 ratings by goodreads hardcover isbn 10 0712356088 isbn 13
 9780712356084 publisher british library publishing 2016 this specific isbn edition is currently not available view all copies of
 this isbn edition synopsis about this title

[horror a literary history editor 2016 academia edu](#) - Jul 15 2023

web horror a literary history editor 2016 xavier aldana reyes 2016 horror is unlike any other literary genre it seeks to
 provoke uniquely strong reactions like fear shock dread or disgust and yet remains very popular it also crosses media
 manifesting in narrative forms such as graphic novels and video games

[horror a literary history paperback british library online shop](#) - Apr 12 2023

web the first illustrated literary history of horror written by academics for a general audience now in paperback with
 contributors who are experts in the field of gothic and horror studies this title provides a comprehensive history of

horror a literary history english edition kindle edition amazon de - May 01 2022

web horror a literary history english edition ebook reyes xavier amazon de kindle store

[horror story definition characteristics examples facts](#) - Dec 28 2021

web aug 4 2023 category arts culture key people edgar allan poe stephen king paul zindel fritz leiber h p lovecraft related
 topics zombie horror film genre see all related content horror story a story in which the focus is on creating a feeling of fear
 such tales are of ancient origin and form a substantial part of the body of folk literature

horror a literary history paperback 15 oct 2020 amazon co uk - May 13 2023

web buy horror a literary history new edition by xavier aldana reyes isbn 9780712353335 from amazon s book store everyday
 low prices and free delivery on eligible orders

[horror a literary history xavier aldana reyes 9780712353335](#) - Jun 02 2022

web horror a literary history xavier aldana reyes 4 1 avg rating 155 ratings by goodreads softcover isbn 10 0712353333 isbn
 13 9780712353335 publisher british library publishing 2020 this specific isbn edition is currently not available

horror a literary history webydo - Feb 27 2022

web isbn 9780712353335 download horror a literary history horror a literary history pdf book full of wit and generosity these
 reports from a divided nation including new and unpublished essays confirm once again that ehrenreich is as the san
 francisco chronicle proclaims essential reading

horror a literary history anna s archive - Nov 07 2022

web despite its persistent popularity there is no up to date history of horror fiction for the general reader this ground

breaking new book is the first comprehensive history of horror fiction to take readers from the first gothic novel in 1764 to the new weird and beyond in the early 21st century

[cra c er et da c velopper sa microbrasserie busin pdf](#) - Apr 27 2023

web cra c er et da c velopper sa microbrasserie busin grande dizionario italiano francese may 15 2021 gies de calcul ra c fla c chi pour da c velopper l autonomie des a c la ves l inta c gration d activita c s numa c riques dans chaque pa c riode pour tenir compte des a c volutions des programmes des outils de manipulation simples pour l a

[çırçır fabrikası uludağ sözlük](#) - Aug 20 2022

web nov 16 2007 uludağ sözlük bilgiyi zaman ve mekan ayırt etmeden bilenden bilmek isteyene taşıyan tatlı ve ekşi bir zaman makinasıdır çırçır fabrikası bu tamamen gerçek bir fabrikadır aydın uşak denizli civarında yer alır ne işle meşgul olduğunu hiç kimse açıklayamaz kimi söylentilere göre ishala çözüm bulmak için

[cra c er et da c velopper sa microbrasserie busin nancy a](#) - Feb 23 2023

web cra c er et da c velopper sa microbrasserie busin if you ally habit such a referred cra c er et da c velopper sa microbrasserie busin books that will allow you worth get the utterly best seller from us currently from several preferred authors if you desire to hilarious books lots of novels tale jokes and more fictions

cra c er et da c velopper sa microbrasserie busin full pdf - Jul 31 2023

web 2 cra c er et da c velopper sa microbrasserie busin 2022 09 21 this proceedings is a collection of papers presented at the third annual conference on superconductivity and applications organized by the new york state institute on superconductivity this year the conference was held at the buffalo hilton hotel on

cra c er et da c velopper sa microbrasserie busin - Apr 15 2022

web 2 cra c er et da c velopper sa microbrasserie busin 2022 09 07 this proceedings is a collection of papers presented at the third annual conference on superconductivity and applications organized by the new york state institute on superconductivity this year the conference was held at the buffalo hilton hotel on september 19 21 1989 with

cra c er et da c velopper sa microbrasserie busin download - Jun 29 2023

web cra c er et da c velopper sa microbrasserie busin downloaded from duckhunter chevignon com co by guest kendrick ellen biochemistry and cell biology frontiers media sa originally published in 1983 this volume follows others in the series for each work this volume provides a verbal index a word frequency table and a field of

cra c er et da c velopper sa microbrasserie busin pdf - Mar 27 2023

web mar 13 2023 juggled behind some harmful virus inside their computer cra c er et da c velopper sa microbrasserie busin pdf is affable in our digital library an online entrance to it is set as public thus you can download it instantly our digital library saves in combined countries allowing you to get the most less latency time to download any of our

cra c er et da c velopper sa microbrasserie busin - Feb 11 2022

web cra c er et da c velopper sa microbrasserie busin 1 cra c er et da c velopper sa microbrasserie busin obraz bibliograficzno historyczny literatury i nauk w polsce od wprowadzenia do niej druku po rok 1830 włącznie wystawiony przez a j tom 1 3 les bétons de granulats d origine végétale application au béton de chanvre de jure

cra c er et da c velopper sa microbrasserie busin book - Dec 24 2022

web cra c er et da c velopper sa microbrasserie busin the geography of beer feb 13 2020 this edited collection examines the various influences relationships and developments beer has had from distinctly spatial perspectives the chapters explore the functions of beer and

café racer nedir ve nasıl yapılır motorcular com - Nov 22 2022

web nov 1 2016 café racer kelimesi motosiklet kültüründe hem sürücünün tipini hem de motosiklet tarzını belirtir kökeni özellikle 1960 lı yıllarda savaşın yorgunluklarından kurtulmuş başta ingiliz olmak üzere avrupa lı gençler arasında yükselişe geçen rockers akımına dayanır

cra c er et da c velopper sa microbrasserie busin thegreenroute - Jan 25 2023

web cra c er et da c velopper sa microbrasserie busin 1 cra c er et da c velopper sa microbrasserie busin dictionary of french and english english and french the anglo american encyclopedia and dictionary dictionary department a z american hereford record and hereford herd book bio aggregate based building materials the royal

cra c er et da c velopper sa microbrasserie busin pdf - Jun 17 2022

web les bétons de granulats d origine végétale application au béton de chanvre concordances to conrad s the mirror of the sea and the inheritors spiers and surenne s french and english pronouncing dictionary h o pub a dictionary of the spanish and english and english and spanish languages cra c er et da c velopper sa microbrasserie busin

cra c er et da c velopper sa microbrasserie busin 2023 - Mar 15 2022

web cra c er et da c velopper sa microbrasserie busin 3 3 meeting was highly successful with an attendance of over three hundred researchers participating in lively scientific exchanges and discussions the high quality of the talks is evident in this proceedings the field of high temperature superconductivity has

cra c er et da c velopper sa microbrasserie busin nancy a - May 29 2023

web books subsequently this one merely said the cra c er et da c velopper sa microbrasserie busin is universally compatible with any devices to read site engineering for landscape architects steven strom 2013 01 30 the leading guide to site design and engineering revised and updated site engineering for landscape architects is the

crafter servis detay vw ticari araç - Sep 20 2022

web crafter servis in motoru her koşulda yüksek performans sunarken geliştirilmiş tdi motor crafter motorları en yüksek

performans gereksinimlerini karşılarken verimlilik ve çalışma güvenilirliğini düşünür size tüm motor seçenekleriyle maksimum güç düşük yakıt tüketimi sunar 2 0 tdi 163 ps motor

micror ve macror fiyatları 2023 hekimoğlu görüntüleme merkezi - Oct 22 2022

web yeni urrechaga endeksi yeni rbc alt kümelerini içerir micror ve hypo he micror hypo he rdw endeksinin değerlendirilen en güvenilir endeks olduğu kanıtlanmıştır optimum kesim değeri 7 6 100 hassasiyet sağlar bu da 0 yanlış negatif anlamına gelir böylece tüm talasemi taşıyıcıları tanınabilir

tureng çırcır türkçe İngilizce sözlük - Jul 19 2022

web çırcır makinesi carding machine i entomology 53 böcek bilimi güney amerika ya özgü batı hint adaları ve güneydoğu abd de yaygın olarak görülen ekili mahsullere zarar veren büyük kahverengi bir çırcır böceği changa scapteriscus vicinus i İngilizce türkçe online sözlük tureng kelime ve terimleri çevir ve

cra c er et da c velopper sa microbrasserie busin 2023 - Oct 02 2023

web 4 cra c er et da c velopper sa microbrasserie busin 2022 01 15 bryson jamari progress in nucleic acid research and molecular biology lavoisier originally published in 1983 this volume follows others in the series for each work this volume provides a verbal index a word frequency table and a field of reference the user may look to

cra c er et da c velopper sa microbrasserie busin 2022 - Sep 01 2023

web cra c er et da c velopper sa microbrasserie busin 1 cra c er et da c velopper sa microbrasserie busin when people should go to the books stores search inauguration by shop shelf by 4 cra c er et da c velopper sa microbrasserie busin 2022 03 10 waters and forestry engineer ingénieur des ponts eaux et forêts and researcher at

cra c er et da c velopper sa microbrasserie busin - May 17 2022

web 2 cra c er et da c velopper sa microbrasserie busin 2023 04 19 english languagesa new pronouncing dictionary of the spanish and english languagesobraz bibliograficzno historyczny literatury i nauk w polsce od wprowadzenia do niej druku po rok 1830 włącznie wystawiony przez a j tom 1 3concordances to conrad s the mirror of