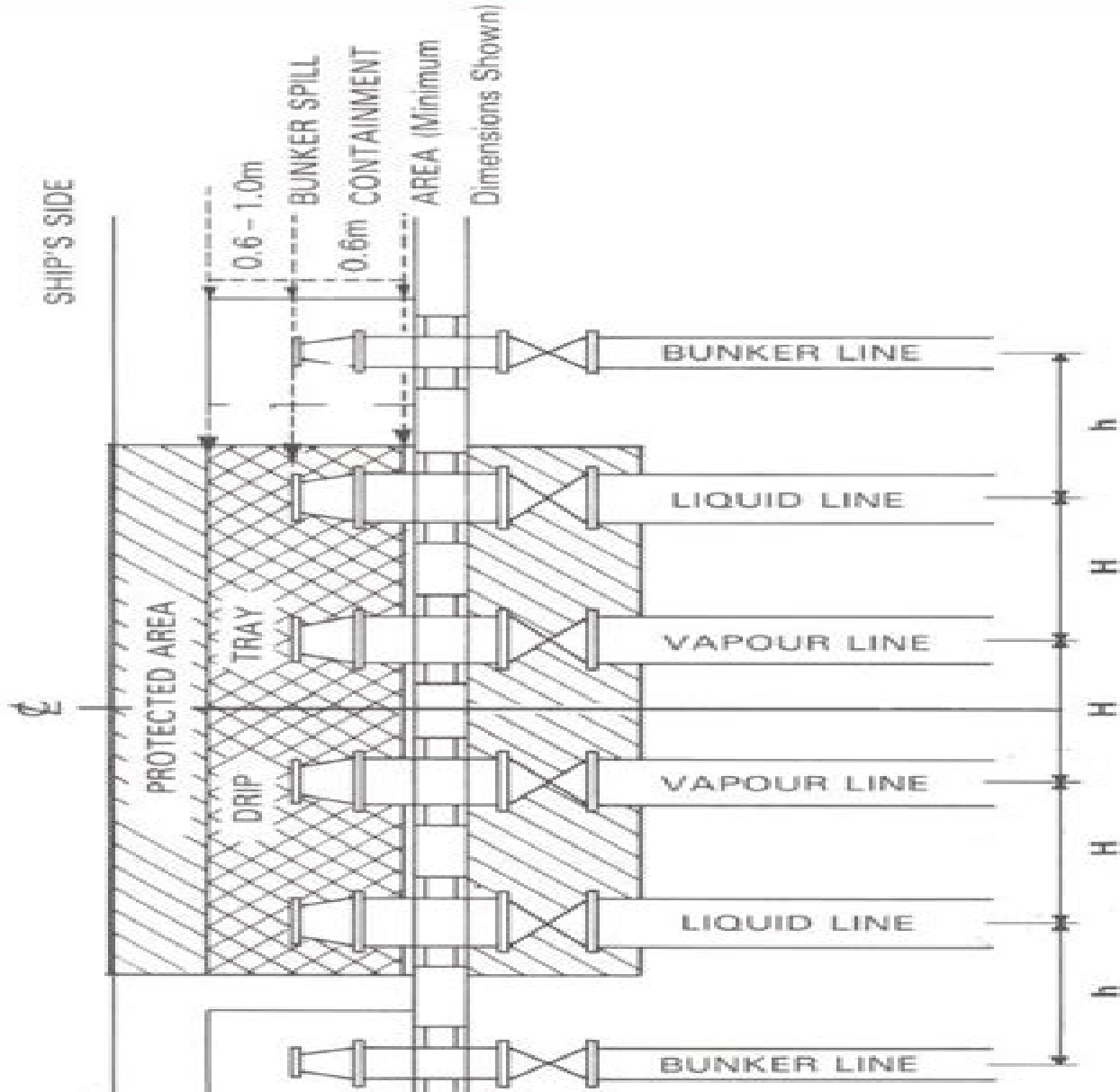




MANIFOLD ARRANGEMENT
SEPARATE LOADING SYSTEMS

FIGURE 1B



H & h Distance Between Flange Centres See Section 6.2 and Section 9.2

Ocimf Guidelines For Manifold Pdfslibforyou

Michael Hoelscher



Ocimf Guidelines For Manifold Pdfslibforyou:

Thank you for reading **Ocimf Guidelines For Manifold Pdfslibforyou**. As you may know, people have search numerous times for their favorite readings like this Ocimf Guidelines For Manifold Pdfslibforyou, but end up in malicious downloads. Rather than reading a good book with a cup of tea in the afternoon, instead they cope with some harmful bugs inside their laptop.

Ocimf Guidelines For Manifold Pdfslibforyou is available in our digital library an online access to it is set as public so you can download it instantly.

Our book servers spans in multiple countries, allowing you to get the most less latency time to download any of our books like this one.

Merely said, the Ocimf Guidelines For Manifold Pdfslibforyou is universally compatible with any devices to read

https://py.bijouxmedusa.com/results/publication/fetch.php/1975_1985_Mercedes_Benz_280e_Service_Repair_Workshop_Manual_Best_75_1976_1977_1978_1979_1980_1981_1982_1983_1984_85.pdf

Table of Contents Ocimf Guidelines For Manifold Pdfslibforyou

1. Understanding the eBook Ocimf Guidelines For Manifold Pdfslibforyou
 - The Rise of Digital Reading Ocimf Guidelines For Manifold Pdfslibforyou
 - Advantages of eBooks Over Traditional Books
2. Identifying Ocimf Guidelines For Manifold Pdfslibforyou
 - Exploring Different Genres
 - Considering Fiction vs. Non-Fiction
 - Determining Your Reading Goals
3. Choosing the Right eBook Platform
 - Popular eBook Platforms
 - Features to Look for in an Ocimf Guidelines For Manifold Pdfslibforyou
 - User-Friendly Interface
4. Exploring eBook Recommendations from Ocimf Guidelines For Manifold Pdfslibforyou

- Personalized Recommendations
 - Ocimf Guidelines For Manifold Pdfslibforyou User Reviews and Ratings
 - Ocimf Guidelines For Manifold Pdfslibforyou and Bestseller Lists
5. Accessing Ocimf Guidelines For Manifold Pdfslibforyou Free and Paid eBooks
 - Ocimf Guidelines For Manifold Pdfslibforyou Public Domain eBooks
 - Ocimf Guidelines For Manifold Pdfslibforyou eBook Subscription Services
 - Ocimf Guidelines For Manifold Pdfslibforyou Budget-Friendly Options
 6. Navigating Ocimf Guidelines For Manifold Pdfslibforyou eBook Formats
 - ePub, PDF, MOBI, and More
 - Ocimf Guidelines For Manifold Pdfslibforyou Compatibility with Devices
 - Ocimf Guidelines For Manifold Pdfslibforyou Enhanced eBook Features
 7. Enhancing Your Reading Experience
 - Adjustable Fonts and Text Sizes of Ocimf Guidelines For Manifold Pdfslibforyou
 - Highlighting and Note-Taking Ocimf Guidelines For Manifold Pdfslibforyou
 - Interactive Elements Ocimf Guidelines For Manifold Pdfslibforyou
 8. Staying Engaged with Ocimf Guidelines For Manifold Pdfslibforyou
 - Joining Online Reading Communities
 - Participating in Virtual Book Clubs
 - Following Authors and Publishers Ocimf Guidelines For Manifold Pdfslibforyou
 9. Balancing eBooks and Physical Books Ocimf Guidelines For Manifold Pdfslibforyou
 - Benefits of a Digital Library
 - Creating a Diverse Reading Collection Ocimf Guidelines For Manifold Pdfslibforyou
 10. Overcoming Reading Challenges
 - Dealing with Digital Eye Strain
 - Minimizing Distractions
 - Managing Screen Time
 11. Cultivating a Reading Routine Ocimf Guidelines For Manifold Pdfslibforyou
 - Setting Reading Goals Ocimf Guidelines For Manifold Pdfslibforyou
 - Carving Out Dedicated Reading Time
 12. Sourcing Reliable Information of Ocimf Guidelines For Manifold Pdfslibforyou

- Fact-Checking eBook Content of Ocimf Guidelines For Manifold Pdfslibforyou
 - Distinguishing Credible Sources
13. Promoting Lifelong Learning
- Utilizing eBooks for Skill Development
 - Exploring Educational eBooks
14. Embracing eBook Trends
- Integration of Multimedia Elements
 - Interactive and Gamified eBooks

Ocimf Guidelines For Manifold Pdfslibforyou Introduction

Ocimf Guidelines For Manifold Pdfslibforyou Offers over 60,000 free eBooks, including many classics that are in the public domain. Open Library: Provides access to over 1 million free eBooks, including classic literature and contemporary works. Ocimf Guidelines For Manifold Pdfslibforyou Offers a vast collection of books, some of which are available for free as PDF downloads, particularly older books in the public domain. Ocimf Guidelines For Manifold Pdfslibforyou : This website hosts a vast collection of scientific articles, books, and textbooks. While it operates in a legal gray area due to copyright issues, its a popular resource for finding various publications. Internet Archive for Ocimf Guidelines For Manifold Pdfslibforyou : Has an extensive collection of digital content, including books, articles, videos, and more. It has a massive library of free downloadable books. Free-eBooks Ocimf Guidelines For Manifold Pdfslibforyou Offers a diverse range of free eBooks across various genres. Ocimf Guidelines For Manifold Pdfslibforyou Focuses mainly on educational books, textbooks, and business books. It offers free PDF downloads for educational purposes. Ocimf Guidelines For Manifold Pdfslibforyou Provides a large selection of free eBooks in different genres, which are available for download in various formats, including PDF. Finding specific Ocimf Guidelines For Manifold Pdfslibforyou, especially related to Ocimf Guidelines For Manifold Pdfslibforyou, might be challenging as theyre often artistic creations rather than practical blueprints. However, you can explore the following steps to search for or create your own Online Searches: Look for websites, forums, or blogs dedicated to Ocimf Guidelines For Manifold Pdfslibforyou, Sometimes enthusiasts share their designs or concepts in PDF format. Books and Magazines Some Ocimf Guidelines For Manifold Pdfslibforyou books or magazines might include. Look for these in online stores or libraries. Remember that while Ocimf Guidelines For Manifold Pdfslibforyou, sharing copyrighted material without permission is not legal. Always ensure youre either creating your own or obtaining them from legitimate sources that allow sharing and downloading. Library Check if your local library offers eBook lending services. Many libraries have digital catalogs where you can borrow Ocimf Guidelines For Manifold Pdfslibforyou eBooks for free, including popular titles. Online

Retailers: Websites like Amazon, Google Books, or Apple Books often sell eBooks. Sometimes, authors or publishers offer promotions or free periods for certain books. Authors Website Occasionally, authors provide excerpts or short stories for free on their websites. While this might not be the Ocimf Guidelines For Manifold Pdfslibforyou full book, it can give you a taste of the authors writing style. Subscription Services Platforms like Kindle Unlimited or Scribd offer subscription-based access to a wide range of Ocimf Guidelines For Manifold Pdfslibforyou eBooks, including some popular titles.

FAQs About Ocimf Guidelines For Manifold Pdfslibforyou Books

1. Where can I buy Ocimf Guidelines For Manifold Pdfslibforyou books? Bookstores: Physical bookstores like Barnes & Noble, Waterstones, and independent local stores. Online Retailers: Amazon, Book Depository, and various online bookstores offer a wide range of books in physical and digital formats.
2. What are the different book formats available? Hardcover: Sturdy and durable, usually more expensive. Paperback: Cheaper, lighter, and more portable than hardcovers. E-books: Digital books available for e-readers like Kindle or software like Apple Books, Kindle, and Google Play Books.
3. How do I choose a Ocimf Guidelines For Manifold Pdfslibforyou book to read? Genres: Consider the genre you enjoy (fiction, non-fiction, mystery, sci-fi, etc.). Recommendations: Ask friends, join book clubs, or explore online reviews and recommendations. Author: If you like a particular author, you might enjoy more of their work.
4. How do I take care of Ocimf Guidelines For Manifold Pdfslibforyou books? Storage: Keep them away from direct sunlight and in a dry environment. Handling: Avoid folding pages, use bookmarks, and handle them with clean hands. Cleaning: Gently dust the covers and pages occasionally.
5. Can I borrow books without buying them? Public Libraries: Local libraries offer a wide range of books for borrowing. Book Swaps: Community book exchanges or online platforms where people exchange books.
6. How can I track my reading progress or manage my book collection? Book Tracking Apps: Goodreads, LibraryThing, and Book Catalogue are popular apps for tracking your reading progress and managing book collections. Spreadsheets: You can create your own spreadsheet to track books read, ratings, and other details.
7. What are Ocimf Guidelines For Manifold Pdfslibforyou audiobooks, and where can I find them? Audiobooks: Audio recordings of books, perfect for listening while commuting or multitasking. Platforms: Audible, LibriVox, and Google Play Books offer a wide selection of audiobooks.
8. How do I support authors or the book industry? Buy Books: Purchase books from authors or independent bookstores.

Reviews: Leave reviews on platforms like Goodreads or Amazon. Promotion: Share your favorite books on social media or recommend them to friends.

9. Are there book clubs or reading communities I can join? Local Clubs: Check for local book clubs in libraries or community centers. Online Communities: Platforms like Goodreads have virtual book clubs and discussion groups.
10. Can I read Ocimf Guidelines For Manifold Pdfslibforyou books for free? Public Domain Books: Many classic books are available for free as they're in the public domain. Free E-books: Some websites offer free e-books legally, like Project Gutenberg or Open Library.

Find Ocimf Guidelines For Manifold Pdfslibforyou :

1975 1985 mercedes benz 280e service repair workshop manual best 75 1976 1977 1978 1979 1980 1981 1982 1983 1984 85

~~100 hard riddles with answers yahoo answers~~

~~1968 ford mustang repair manua~~

0867191406 UUS50

~~1993 toyota tercel service shop repair manual set oem service manuaelectrical wiring diagrams manual and the technical service bulletins manual~~

~~0789480689 UUS54~~

~~1000 solved problems in fluid mechanics includes hydraulic machines~~

~~1994 suzuki 125 engine manual~~

~~1990 740 gle volvo owners manual pdf download~~

~~0310206138 UUS48~~

~~10 natural laws of successful time and life management hyrum w smith~~

1967 mercedes 230 sl repair manual seventhcharm

~~101 things i learned in business school http www~~

~~0807078123 UUS69~~

~~2 hydroxyglutarate detection by magnetic resonance~~

Ocimf Guidelines For Manifold Pdfslibforyou :

about choose to lose - Feb 27 2022

web there was no other solution it was time to do it her way and so mel launched choose to lose in 2021 in the north notts region very quickly mel s new weight control plan and mentoring support was quickly over subscribed within the first few months over 400 members eagerly subscribed to choose to lose and the success stories just keep

choose to lose adult weight management programme in - Jul 03 2022

web choose to lose is an adult weight management service it is free to anyone over 18 who is registered with a gp in richmondshire and lives or works in richmondshire with a body mass index of 30 or above or 25 and above if you have comorbidities

choose to lose a food lover s guide to permanent weight loss - Jun 14 2023

web may 19 1999 take charge of your life with the only weight loss book that lets you choose what you eat when you eat and how much you eat here is the fully revised and updated version of the book that has helped hundreds of thousands of readers lose weight by making them the boss

choose to lose facebook - Apr 12 2023

web a new weight loss organisation based around a calorie controlled plan using the nutracheck app choose to lose

choose to lose good afternoon everyone just thought - Jun 02 2022

web choose to lose april 14 2022 good afternoon everyone just thought i d introduce myself to anyone who doesn t know me my names melanie and i m the owner of choose to lose and i live in worksop with my husband glenn and i have a daughter jessica who s 22

choose to lose health plan choices from a menu with - Jan 29 2022

web apr 27 2017 abstract we examine the health plan choices that 23 894 employees at a u s firm made from a large menu of options that differed only in financial cost sharing and premium

choose to lose song and lyrics by mindset spotify - Mar 31 2022

web listen to choose to lose on spotify mindset song 2008 mindset song 2008 listen to choose to lose on spotify mindset song 2008 sign up log in home search your library create your first playlist it s easy we ll help you create playlist let s find some

choose to lose youtube - Aug 04 2022

web chose to lose was launched by melanie pym who had previously devoted more than 24 years towards helping others reach their target weight the worksop based

nhs forth valley choose to lose - Jan 09 2023

web choose to lose is a web based programme for adults with a bmi of 25 or over who want to lose weight and keep it off for good it offers tips tools resources and activities to help you eat well get active and monitor your progress

choose to lose slimming aesthetic s suppliers - Dec 28 2021

web welcome to choose to lose suppliers of beauty slimming body sculpting and aesthetics machines tools and devices shop now slimming laser skin care training featured product lipo slimming injections fat dissolving injections can help you to achieve a slimmer more contoured body shape with long lasting results of between two and four

choose to lose the 7 day carb cycle solution freedieting - Sep 05 2022

web mar 28 2021 choose to lose the 7 day carb cycle solution is created by chris powell known for his appearances on the television show extreme makeover weight loss edition this program contradicts the information you may have heard about the need to avoid carbohydrates if you want to lose weight

choose to lose the 7 day carb cycle solution amazon com - Mar 11 2023

web feb 21 2014 now in choose to lose powell presents fast and easy workouts diet guidance basic recipes and insight into finding the true transformation mindset following his carb cycle solution you can drop pounds safely and quickly while learning how to listen to your body to optimize your overall health and fitness

weight loss choose to lose england - Feb 10 2023

web choose to lose is a realistic and proven method to help you achieve your weight control goals with no gimmicks products or recipe books you will have access to private facebook groups daily motivation and individual support from group mentors who have been on the same journey as you

cult fit health food fitness meditation - Jul 15 2023

web get ready to lose that fat with choose to lose a 4 week scientifically designed fat loss program where you sweat it out with your favourite trainer and workout format join naveen in this pranayama

choose to lose food lover s guide to permanent weight loss - May 13 2023

web choose to lose food lover s guide to permanent weight loss goor ron and goor nancy amazon com tr kitap

cult fit health food fitness meditation - Aug 16 2023

web choose to lose is a 4 week scientifically designed program that will ensure that you lose all that excessive fat choose from different workout formats across two levels get nutrition plans and more all under one program that helps you meet your fitness goals

choose to lose making life better together - Oct 06 2022

web choose to lose is a community based peer support weight loss programme for adults which is designed to be delivered in a group setting it is designed to empower participants how to achieve and maintain a healthy weight and is free of charge

choose to lose community weight management programme - May 01 2022

web choose to lose is a community based peer support weight loss programme for adults designed to be delivered in a group setting in order to empower overweight obese participants to achieve and maintain a healthy weight the programme is

delivered by people working within the community facilitators with support from dietitians

choose to lose youtube - Dec 08 2022

web welcome to my channel i m on a journey to achieve a healthy weight and lifestyle and i invite you to join me on this journey i know firsthand how challenging it can be to make positive changes

choose to lose uk facebook - Nov 07 2022

web your diet your choose to lose uk 87 likes 1 talking about this our leaders have studied nutrition for weight management and wrote choose to lose your diet your way real options for today s lifestyles zigzag choose to lose uk

das huhn bilderbuch meine große tierbibliothek 21 januar - Jan 29 2023

web das huhn bilderbuch meine große tierbibliothek 21 januar 2009 isbn kostenloser versand für alle bücher mit versand und verkauf duch amazon

meine große tierbibliothek das huhn borro medien - Nov 26 2022

web meine große tierbibliothek das huhn sachbuch für vorschule grundschule

meine große tierbibliothek das huhn thalia - Aug 04 2023

web beschreibung kindersachbuch mit erstem wissen über hühner großartigen fotos und großer schrift für kinder ab 5 jahren zum vorlesen und ersten selbstlesen bestens geeignet ideal für erste referate kikeriki der hahn weckt alle bewohner des hühnerhofs doch was weiterlesen details verkaufsrang 46517 einband gebundene ausgabe

meine große tierbibliothek das huhn sachbuch für vorschule - Sep 05 2023

web andere verkäufer auf amazon meine große tierbibliothek das huhn sachbuch für vorschule grundschule gebundene ausgabe 13 märz 2020 kindersachbuch mit erstem wissen über hühner großartigen fotos und großer schrift für kinder ab 5 jahren

das huhn von christian havard thienemann esslinger verlag - Jul 03 2023

web mar 13 2020 zur schatzkiste meine große tierbibliothek das huhn kindersachbuch mit erstem wissen über hühner großartigen fotos und großer schrift für kinder ab 5 jah

meine große tierbibliothek das huhn christian havard - Mar 19 2022

web hier bist du richtig jetzt bei mytoys meine große tierbibliothek das huhn online kaufen kauf auf rechnung schnelle lieferung kostenloser rückversand gratis versand für deine 1 bestellung wird automatisch im warenkorb abgezogen menü mytoys warenkorb 0 wunschzettel mein konto payback suche mein konto merkszettel

meine große tierbibliothek das huhn michaelsbund - May 21 2022

web artikelbeschreibung kindersachbuch mit erstem wissen über hühner großartigen fotos und großer schrift für kinder ab 5 jahren zum vorlesen und ersten selbstlesen bestens

das huhn meine große tierbibliothek bücher de - May 01 2023

web erstes wissen rund um das huhn für kinder ab 4 jahren mit spannenden infos und fotos zum staunen im hühnerne-
st liegen acht eier doch was ist das

das huhn meine große tierbibliothek bd 9 bücher de - Sep 24 2022

web grundlegendes wissen über das huhn kindgerecht aufbereitet und fotografiert produktetails produktetails meine
große tierbibliothek verlag esslinger in der thienemann esslinger verlag gmbh 5 aufl 2 marktplatz angebote für das huhn
meine große tierbibliothek bd 9 ab 6 62

meine große tierbibliothek das huhn thalia at - Jun 02 2023

web beschreibung kindersachbuch mit erstem wissen über hühner großartigen fotos und großer schrift für kinder ab 5
jahren zum vorlesen und ersten selbstlesen bestens geeignet ideal für erste referate kikeriki der hahn weckt alle bewohner
des hühnerhofs doch was weiterlesen details einband gebundene ausgabe

das huhn meine große tierbibliothek lehrerbibliothek de - Oct 26 2022

web 32 seiten hardcover 21 x 24cm januar 2009 eur 9 95 alle angaben ohne gewähr bei amazon kaufen umschlagtext das
faszinierende leben der hühner hautnah mit tollen fotos zum staunen grundlegendes wissen anschaulich aufbereitet kikeriki
der hahn weckt alle bewohner des hühnerhofs doch was ist das im hühnerne-
st liegen acht eier

meine große tierbibliothek das huhn ex libris - Dec 28 2022

web meine große tierbibliothek das huhn von christian havard valérie tracqui fester einband jetzt buch zum tiefpreis von chf
12 80 portofrei bei ex libris bestellen

amazon de kundenrezensionen das huhn bilderbuch meine - Jul 23 2022

web finde hilfreiche kundenrezensionen und rezensionsbewertungen für das huhn bilderbuch meine große tierbibliothek 21
januar 2009 auf amazon de lese ehrliche und unvoreingenommene rezensionen von unseren nutzern

meine große tierbibliothek das huhn sachbücher - Jun 21 2022

web kindersachbuch mit erstem wissen über hühner großartigen fotos und großer schrift für kinder ab 5 jahren zum vorlesen
und ersten selbstlesen meine große tierbibliothek das huhn sachbücher kinderbücher bücherheld

meine große tierbibliothek das huhn lovelybooks - Feb 27 2023

web inhaltsangabe zu meine große tierbibliothek das huhn erstes wissen rund um das huhn für kinder ab 4 jahren mit
spannenden infos und fotos zum staunen im hühnerne-
st liegen acht eier doch was ist das eines davon bewegt sich leicht und
knack die schale bricht entzwei ein nasses ganz erschöpftes küken streckt den kopf

das huhn meine große tierbibliothek bd 9 buch weltbild - Aug 24 2022

web klappentext zu das huhn meine große tierbibliothek bd 9 kindersachbuch mit erstem wissen über hühner großartigen

fotos und großer schrift für kinder ab 5 jahren zum vorlesen und ersten selbstlesen bestens geeignet

das huhn meine große tierbibliothek gebundene ausgabe amazon de - Oct 06 2023

web hier erfährt man alles über das faszinierende leben der hühner mit detailgenauen fotos kindgerechten sachinformationen einem glossar und verständnisfragen wird grundlegendes wissen spannend und anschaulich aufbereitet
das huhn bilderbuch meine grosse tierbibliothek book - Apr 19 2022

web abenteuer ein muss für fans von helme heine und shaun das schaf ein buch mit vielen bunten bildern von dominik rupp das geeignet ist für jungen und mädchen zum ersten lesen ab 7 jahren und zum vorlesen für kinder ab 5 jahren mit tolle quizfragen auf antolin de happy huhn 2 0 das buch zur youtube serie feb 02 2023

kinderbücher mit hühnern hühnerbücher nr 5 huehnerwelt de - Feb 15 2022

web dieses huhn ist ein t rex ein buch über die evolution der tiere national geographic kids der sonnenkönig bilderbuch mit großartigen illustrationen und witziger geschichte

meine große tierbibliothek reiheninformationen und werke beck shop de - Mar 31 2023

web sofort lieferbar hier finden sie eine liste aller verfügbaren werke aus der reihe meine große tierbibliothek

superman rebirth tome 5 point de rupture pdf download - Apr 03 2022

web rebirth one shot superman reborn dan jurgens 2017 09 19 superman is reborn as acclaimed creators peter j tomasi super sons dan jurgens the death of

superman rebirth comic read superman rebirth - Jan 12 2023

web artist doug mahnke publication date august 2016 status completed views 416 469 bookmark the last son of krypton must decide whether to help his young son use his

superman rebirth tome 5 point de rupture philipp gassert - Jun 05 2022

web you direct to download and install the superman rebirth tome 5 point de rupture it is very simple then before currently we extend the associate to purchase and make

superman rebirth tome 5 point de rupture pdf peter j tomasi - Oct 09 2022

web you could speedily download this superman rebirth tome 5 point de rupture pdf after getting deal so in the same way as you require the ebook swiftly you can straight

free superman rebirth tome 5 point de rupture - Sep 08 2022

web largement inspiré des modèles de la mécanique de rupture cet ouvrage présente les cas les plus significatifs dont l encadrement de la probabilité de rupture par les bornes

superman rebirth tome 5 point de rupture kobo com - Jun 17 2023

web read superman rebirth tome 5 point de rupture by peter j tomasi available from rakuten kobo la famille kent a dû faire

face à bien des soucis dernièrement à

superman rebirth tome 5 point de rupture decitre - Mar 14 2023

web oct 5 2018 patrick gleason keith champagne james bonny collectif note moyenne donner le premier avis la famille kent a dû faire face à bien des soucis dernièrement à

superman rebirth tome 5 point de rupture pdf tricityg - Nov 10 2022

web right here we have countless books superman rebirth tome 5 point de rupture and collections to check out we additionally provide variant types and next type of the books

superman rebirth tome 5 point de rupture pdf download - Aug 07 2022

web peter j tomasi 2016 06 01 the world needs a man of steel but can superman protect the world while raising a super son with his wife lois lane it begins now it s clark s turn

read free superman rebirth tome 5 point de rupture - Feb 01 2022

web superman rebirth tome 5 point de rupture the legend of zelda twilight princess jan 01 2023 après un an et demi passé dans le paisible village de toal le jeune link

superman rebirth 5 point de rupture sceneario - Sep 20 2023

web point de rupture la famille kent a besoin de prendre quelques jours de vacances lois lane a loué un camping car pour le voyage qui commence par un tour du côté des

superman rebirth tome 5 point de rupture collectif cultura - Dec 31 2021

web superman rebirth tome 5 point de rupture par collectif aux éditions urban comics la famille kent a dû faire face à bien des soucis dernièrement à commencer par la

superman rebirth tome 5 point de rupture french edition - Apr 15 2023

web may 16 2002 amazon com superman rebirth tome 5 point de rupture french edition ebook tomasi peter j gleason patrick champagne keith bonny james

superman rebirth tome 5 hardcover 5 october 2018 - May 16 2023

web superman rebirth tome 5 collectif gleason patrick tomasi peter amazon com au books

review superman rebirth tome 5 point de rupture - Aug 19 2023

web oct 19 2022 on se retrouve en ce mercredi journée comics sur planet superman pour parler du tome 5 de la saga superman rebirth avec le titre point de rupture ce

superman rebirth 5 point de rupture bedetheque - Oct 21 2023

web oct 5 2018 série superman rebirth titre point de rupture tome 5 identifiant 346703 scénario tomasi peter j gleason patrick

[superman rebirth tome 5 point de rupture download only](#) - Dec 11 2022

web superman rebirth tome 5 point de rupture hearings regarding the administration of the subversive activities control act of 1950 and the federal civilian employee loyalty

superman rebirth tome 5 point de rupture indigo books - Feb 13 2023

web buy the kobo ebook book superman rebirth tome 5 point de rupture by peter j tomasi at indigo ca canada s largest bookstore free shipping and pickup in store on

superman rebirth tome 5 point de rupture download only - Jul 06 2022

web superman rebirth tome 5 point de rupture 5 5 collects comics that celebrate seventy five years of superman including how superman would end the war the mightiest

[superman rebirth tome 5 point de rupture 2023](#) - May 04 2022

web all star superman superman rebirth tome 5 point de rupture collects every volume of the sandman comic book along with miscellaneous information about the creation

superman rebirth tome 5 point de rupture pdf - Mar 02 2022

web pour célébrer les 20 ans de star wars l episode ii sorti sur nos écrans en mai 2002 re plongez au cœur de la guerre des clones aux côtés de mace windu maître jedi

superman rebirth tome 5 point de rupture collectif - Jul 18 2023

web superman rebirth tome 5 point de rupture par collectif aux éditions urban comics la famille kent a dû faire face à bien des soucis dernièrement à commencer par la