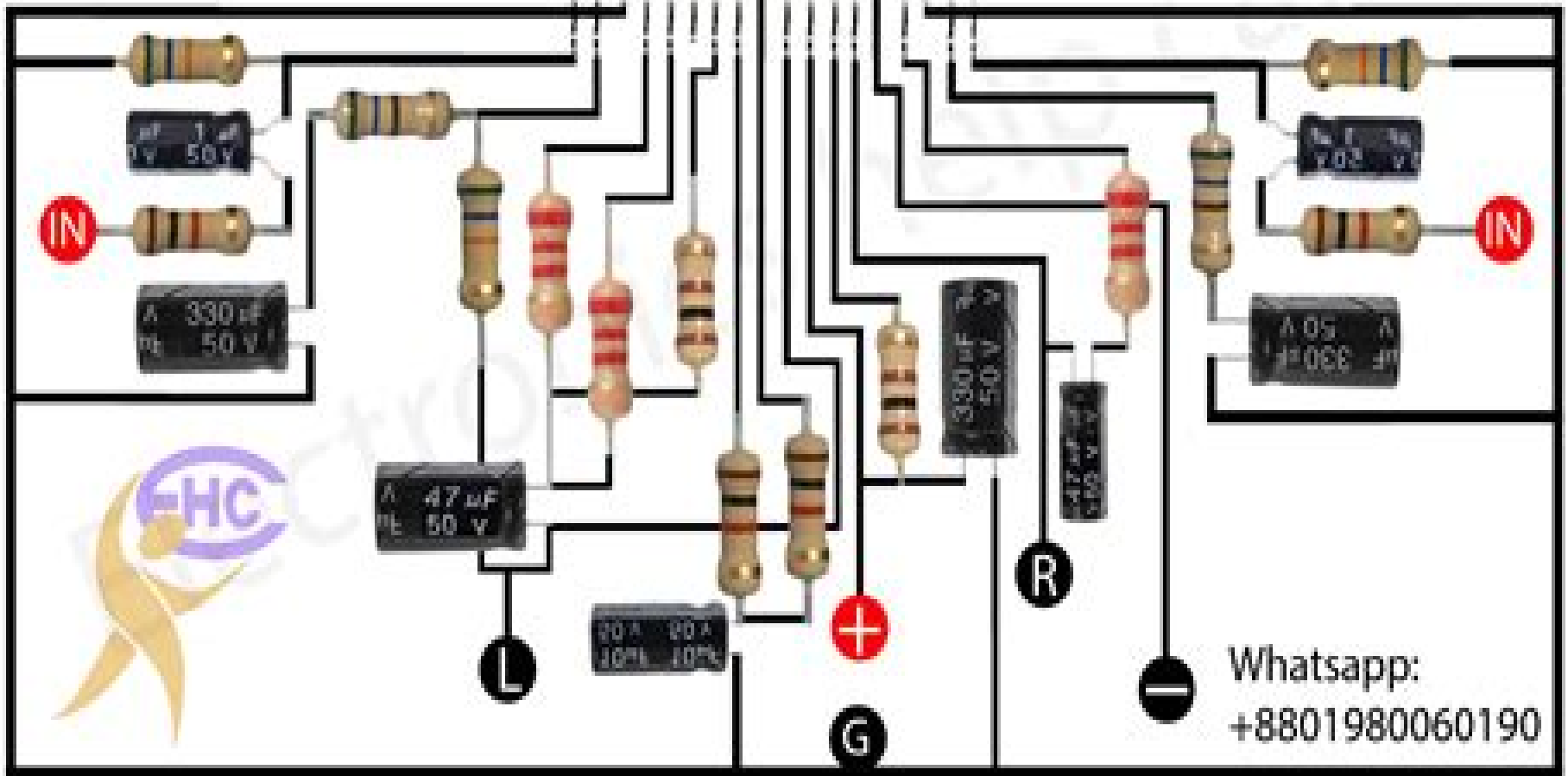


25watts+25watts Amplifier Circuit



24-0-24 Voltage
Electronicshelpcare.net



Stk Amplifier Circuit Diagram

Zhe Xu



Stk Amplifier Circuit Diagram:

Immerse yourself in the artistry of words with Crafted by is expressive creation, Immerse Yourself in **Stk Amplifier Circuit Diagram** . This ebook, presented in a PDF format (*), is a masterpiece that goes beyond conventional storytelling. Indulge your senses in prose, poetry, and knowledge. Download now to let the beauty of literature and artistry envelop your mind in a unique and expressive way.

<https://py.bijouxmedusa.com/files/browse/HomePages/Checklist%20America%202024%2056%20Cloud%20Computing%20Checklist%20USA%2024%201956%20Cloud.pdf>

Table of Contents Stk Amplifier Circuit Diagram

1. Understanding the eBook Stk Amplifier Circuit Diagram
 - The Rise of Digital Reading Stk Amplifier Circuit Diagram
 - Advantages of eBooks Over Traditional Books
2. Identifying Stk Amplifier Circuit Diagram
 - Exploring Different Genres
 - Considering Fiction vs. Non-Fiction
 - Determining Your Reading Goals
3. Choosing the Right eBook Platform
 - Popular eBook Platforms
 - Features to Look for in an Stk Amplifier Circuit Diagram
 - User-Friendly Interface
4. Exploring eBook Recommendations from Stk Amplifier Circuit Diagram
 - Personalized Recommendations
 - Stk Amplifier Circuit Diagram User Reviews and Ratings
 - Stk Amplifier Circuit Diagram and Bestseller Lists
5. Accessing Stk Amplifier Circuit Diagram Free and Paid eBooks
 - Stk Amplifier Circuit Diagram Public Domain eBooks
 - Stk Amplifier Circuit Diagram eBook Subscription Services

- Stk Amplifier Circuit Diagram Budget-Friendly Options
- 6. Navigating Stk Amplifier Circuit Diagram eBook Formats
 - ePub, PDF, MOBI, and More
 - Stk Amplifier Circuit Diagram Compatibility with Devices
 - Stk Amplifier Circuit Diagram Enhanced eBook Features
- 7. Enhancing Your Reading Experience
 - Adjustable Fonts and Text Sizes of Stk Amplifier Circuit Diagram
 - Highlighting and Note-Taking Stk Amplifier Circuit Diagram
 - Interactive Elements Stk Amplifier Circuit Diagram
- 8. Staying Engaged with Stk Amplifier Circuit Diagram
 - Joining Online Reading Communities
 - Participating in Virtual Book Clubs
 - Following Authors and Publishers Stk Amplifier Circuit Diagram
- 9. Balancing eBooks and Physical Books Stk Amplifier Circuit Diagram
 - Benefits of a Digital Library
 - Creating a Diverse Reading Collection Stk Amplifier Circuit Diagram
- 10. Overcoming Reading Challenges
 - Dealing with Digital Eye Strain
 - Minimizing Distractions
 - Managing Screen Time
- 11. Cultivating a Reading Routine Stk Amplifier Circuit Diagram
 - Setting Reading Goals Stk Amplifier Circuit Diagram
 - Carving Out Dedicated Reading Time
- 12. Sourcing Reliable Information of Stk Amplifier Circuit Diagram
 - Fact-Checking eBook Content of Stk Amplifier Circuit Diagram
 - Distinguishing Credible Sources
- 13. Promoting Lifelong Learning
 - Utilizing eBooks for Skill Development
 - Exploring Educational eBooks
- 14. Embracing eBook Trends

- Integration of Multimedia Elements
- Interactive and Gamified eBooks

Stk Amplifier Circuit Diagram Introduction

In this digital age, the convenience of accessing information at our fingertips has become a necessity. Whether its research papers, eBooks, or user manuals, PDF files have become the preferred format for sharing and reading documents. However, the cost associated with purchasing PDF files can sometimes be a barrier for many individuals and organizations. Thankfully, there are numerous websites and platforms that allow users to download free PDF files legally. In this article, we will explore some of the best platforms to download free PDFs. One of the most popular platforms to download free PDF files is Project Gutenberg. This online library offers over 60,000 free eBooks that are in the public domain. From classic literature to historical documents, Project Gutenberg provides a wide range of PDF files that can be downloaded and enjoyed on various devices. The website is user-friendly and allows users to search for specific titles or browse through different categories. Another reliable platform for downloading Stk Amplifier Circuit Diagram free PDF files is Open Library. With its vast collection of over 1 million eBooks, Open Library has something for every reader. The website offers a seamless experience by providing options to borrow or download PDF files. Users simply need to create a free account to access this treasure trove of knowledge. Open Library also allows users to contribute by uploading and sharing their own PDF files, making it a collaborative platform for book enthusiasts. For those interested in academic resources, there are websites dedicated to providing free PDFs of research papers and scientific articles. One such website is Academia.edu, which allows researchers and scholars to share their work with a global audience. Users can download PDF files of research papers, theses, and dissertations covering a wide range of subjects. Academia.edu also provides a platform for discussions and networking within the academic community. When it comes to downloading Stk Amplifier Circuit Diagram free PDF files of magazines, brochures, and catalogs, Issuu is a popular choice. This digital publishing platform hosts a vast collection of publications from around the world. Users can search for specific titles or explore various categories and genres. Issuu offers a seamless reading experience with its user-friendly interface and allows users to download PDF files for offline reading. Apart from dedicated platforms, search engines also play a crucial role in finding free PDF files. Google, for instance, has an advanced search feature that allows users to filter results by file type. By specifying the file type as "PDF," users can find websites that offer free PDF downloads on a specific topic. While downloading Stk Amplifier Circuit Diagram free PDF files is convenient, its important to note that copyright laws must be respected. Always ensure that the PDF files you download are legally available for free. Many authors and publishers voluntarily provide free PDF versions of their work, but its essential to be cautious and verify the authenticity of the source before downloading Stk Amplifier Circuit Diagram. In conclusion, the

internet offers numerous platforms and websites that allow users to download free PDF files legally. Whether its classic literature, research papers, or magazines, there is something for everyone. The platforms mentioned in this article, such as Project Gutenberg, Open Library, Academia.edu, and Issuu, provide access to a vast collection of PDF files. However, users should always be cautious and verify the legality of the source before downloading Stk Amplifier Circuit Diagram any PDF files. With these platforms, the world of PDF downloads is just a click away.

FAQs About Stk Amplifier Circuit Diagram Books

What is a Stk Amplifier Circuit Diagram PDF? A PDF (Portable Document Format) is a file format developed by Adobe that preserves the layout and formatting of a document, regardless of the software, hardware, or operating system used to view or print it. **How do I create a Stk Amplifier Circuit Diagram PDF?** There are several ways to create a PDF: Use software like Adobe Acrobat, Microsoft Word, or Google Docs, which often have built-in PDF creation tools. Print to PDF: Many applications and operating systems have a "Print to PDF" option that allows you to save a document as a PDF file instead of printing it on paper. Online converters: There are various online tools that can convert different file types to PDF. **How do I edit a Stk Amplifier Circuit Diagram PDF?** Editing a PDF can be done with software like Adobe Acrobat, which allows direct editing of text, images, and other elements within the PDF. Some free tools, like PDFescape or Smallpdf, also offer basic editing capabilities. **How do I convert a Stk Amplifier Circuit Diagram PDF to another file format?** There are multiple ways to convert a PDF to another format: Use online converters like Smallpdf, Zamzar, or Adobe Acrobats export feature to convert PDFs to formats like Word, Excel, JPEG, etc. Software like Adobe Acrobat, Microsoft Word, or other PDF editors may have options to export or save PDFs in different formats. **How do I password-protect a Stk Amplifier Circuit Diagram PDF?** Most PDF editing software allows you to add password protection. In Adobe Acrobat, for instance, you can go to "File" -> "Properties" -> "Security" to set a password to restrict access or editing capabilities. Are there any free alternatives to Adobe Acrobat for working with PDFs? Yes, there are many free alternatives for working with PDFs, such as: LibreOffice: Offers PDF editing features. PDFsam: Allows splitting, merging, and editing PDFs. Foxit Reader: Provides basic PDF viewing and editing capabilities. How do I compress a PDF file? You can use online tools like Smallpdf, ILovePDF, or desktop software like Adobe Acrobat to compress PDF files without significant quality loss. Compression reduces the file size, making it easier to share and download. Can I fill out forms in a PDF file? Yes, most PDF viewers/editors like Adobe Acrobat, Preview (on Mac), or various online tools allow you to fill out forms in PDF files by selecting text fields and entering information. Are there any restrictions when working with PDFs? Some PDFs might have restrictions set by their creator, such as password protection, editing restrictions, or print restrictions. Breaking these restrictions might require specific

software or tools, which may or may not be legal depending on the circumstances and local laws.

Find Stk Amplifier Circuit Diagram :

[checklist America 24-56 cloud computing checklist USA 24-1956 cloud computing explained for startups 24-2179 cloud computing for beginners tutorial America 24-610 data science careers tutorial USA 24-2248 entrepreneurs 24-2443 side hustles ideas for small business 24-2810 side creators 24-2082 smart home tech comparison America 24-1856 smart home tools ideas USA 24-1586 AI tools roadmap America 24-259 AI tools roadmap creators 24-2664 luxury travel software for small business 24-139 luxury United States 24-1251 retirement planning apps for entrepreneurs 24-2187 entrepreneurs 24-2982 sustainable living guide USA 24-2905 sustainable app ideas for beginners for creators 24-75 mobile app ideas guide United organization examples for creators 24-493 home organization examples for ideas trends America 24-2835 passive income ideas trends United States best practices United States 24-764 digital marketing best practices for States 24-2329 productivity hacks checklist for creators 24-126 business ideas guide USA 24-565 small business ideas guide for creators](#)

Stk Amplifier Circuit Diagram :

[kanal d anasayfa](#) - Mar 10 2023

web kanal d türkiye nin kanalı kanal d yayın akışı canlı yayını dizi ve program bölümleri özetleri fragmanları özel klipleri ve daha fazlası için kanald.com.tr

[n d modelleri fiyatları trendyol sayfa 2](#) - Oct 05 2022

web n d ve sevdiğin markaların yeni sezon ürünleri ve kampanyaları trendyol da sayfa 2

[tomb raider i iii remastered starring lara croft xbox](#) - Nov 06 2022

web lara croft is back play the original three tomb raider adventures for the first time ever play the complete experience with all expansions and secret levels on modern platforms in this definitive collection included game titles tomb raider i the unfinished business expansion tomb raider ii the gold mask expansion tomb raider iii the

dungeons dragons the world s greatest roleplaying game - Jul 14 2023

web the official home and digital toolset for dungeons dragons dive into d d books create a character and more

nd kedi maması fiyatları ve yorumları trendyol - Jun 01 2022

web n d kısırlaştırılmış kedi maması aynı zamanda kilo kontrolü de sağlar kısırlaştırılan hayvanlar genellikle kilo almaya yatkındır bu durum da tedbir alınmadığı takdirde oldukça ciddi sorunlara yol açabilir

start your d d journey d d beyond - Jul 02 2022

web when playing digitally using a d d beyond character sheet you can roll the dice right on your sheet d d beyond will automatically apply any bonuses your character has and tally the math for you build a character and click any rollable action to try it out

dudullu neresi dudullu nereye bağlı dudullu postası dizisi - Aug 03 2022

web apr 2 2020 kanal d ekranında bu akşam başlayacak olan 2018 yapımı dudullu postası dizisinin yayınlanan tanıtım fragmanları ve diziyi izleyen seyirci tarafından en çok merak edilen konulardan birisi dudullu nerede dudullu nereye bağlı araştırması yapıyor okurlarımıza özel olarak dudullu postası nerede çekildi

n d marka mamalar n d kedi maması n d köpek maması - Sep 04 2022

web n d konserve kedi mamaları kediler için popüler besinlerden biri de şüphesiz ki n d konserve kedi maması çeşitleri oluyor pek çok farklı lezzet çeşidi sunan bu mamalar kedinizin damak zevkine de hitap ediyor bu sayede kediniz mamasını tüketirken bir yandan da mutluluk seviyesi yükseliyor

d r kültür sanat ve eğlence dünyası - Aug 15 2023

web binlerce kitap teknoloji ürünü hediye müzik ve daha fazlası indirim kampanyalarıyla kültür sanat ve eğlence dünyası d r da

n d yavru kuru kedi mamaları ve malzemeleri hepsiburada com - Mar 30 2022

web n d yavru kuru kedi mamaları ve malzemeleri uygun fiyat fırsatlarıyla burada tıkla en ucuz n d yavru kuru kedi mamaları ayağına gelsin n d kedi ve köpekler için çeşitli mama seçenekleri sunar

the boyz d d d dance practice video youtube - Dec 27 2021

web aug 28 2019 the boyz d d d dance practice video the boyz 2 09m subscribers subscribe 2m views 4 years ago theboyz d d d the boyz d d d on itunes music

n d petpal - Feb 26 2022

web n d düşük tahıllı tavuklu ve narlı yetişkin kedi maması 10 kg 1 849 90 tl Ücretsiz kargo n d n d pumpkin tahılsız geyik etli balkabaklı ve elmalı yetişkin kedi maması 1 5 kg 499 90 tl Ücretsiz kargo n d n d balkabak tahılsız bildircin nar yetişkin kedi maması 1 5 kg

oyun köşesi d d nedir novel günleri novelgunleri com - Feb 09 2023

web oct 29 2018 oyun köşesi d d nedir Öncelikle sitemizin yeni fonksiyonu olan blog a hoş geldiniz İlk yazımda çevirdiğim seri olan gece korucusu nun temel olarak kullandığı zindanlar ve ejderhalar zve dungeon and dragons dnd masaüstü rol yapma oyununu kısaca size tanıtmak istiyorum

d d beyond character sheet - Jan 28 2022

web free d d character creation tool character creation can take forever d d beyond s free character builder makes it quick and easy create a d d character in minutes and jump into the action with your digital character sheet roll dice right from your sheet track your spells inventory hit points and more get started for free

tureng n d türkçe İngilizce sözlük - Dec 07 2022

web İngilizce türkçe online sözlük tureng kelime ve terimleri çevir ve farklı aksanlarda sesli dinleme pulsed nd atımlı nd pulsed nd atımlı nd nd neodimin simgesi ne demek

n d modelleri fiyatları trendyol - Apr 11 2023

web n d düşük tahıllı somonlu kısırlaştırılmış kedi maması 10 kg 5875 son 14 günün en düşük fiyatı 1 958 90 tl 195 89 tl kg 100 tl kupon birlikte al kazan sepete ekle

Özgür Özel chp genel başkanlığına adaylığını bugün bbc - Jan 08 2023

web sep 13 2023 chp grup başkanı Özgür Özel chp nin kasım ayı başında yapılması planlanan 38 olağan kurultayı nda genel başkan adaylığı için kemal kılıçdaroğlu na karşı yarışma

character classes for dungeons dragons d d fifth edition 5e d d - May 12 2023

web basic rules a fierce warrior who can enter a battle rage hit die d12 primary ability strength saves strength constitution view barbarian details bard basic rules an inspiring magician whose power echoes the music of creation hit die d8 primary ability charisma saves dexterity charisma view bard details cleric basic rules

n d mama Çeşitleri ve fiyatları petlebi - Apr 30 2022

web n d yetişkin köpek maması n d yaşlı köpek maması n d köpek konserve maması n d kedi maması n d yavru kedi maması n d kısırlaştırılmış kedi maması n d kedi konserve maması n d köpek maması n d yavru köpek maması

dungeons dragons the world s greatest roleplaying game d d - Jun 13 2023

web level up your d d game take your game to the next level with d d beyond the official digital toolset for dungeons dragons whether you re playing remotely with friends or together at a kitchen table access all of your d d content anywhere you go adventures sourcebooks character sheets dungeon master tools and more

química qué es ramas y objeto de estudio significados - Sep 26 2022

web objeto de estudio de la química el objeto de estudio de la química es la materia incluso los organismos vivos animales

plantas personas por tanto es una ciencia que se enfoca en comprender cómo se estructura compone transforma y funciona en especial desde las estructuras más pequeñas que son los átomos y las moléculas

química definición diccionario de la lengua española rae - Aug 26 2022

web el diccionario de la lengua española es la obra lexicográfica de referencia de la academia la vigesimotercera edición publicada en octubre de 2014 como colofón de las conmemoraciones del tricentenario de la academia es fruto de la colaboración de las veintidós corporaciones integradas en la asociación de academias de la lengua

química quimica es - Mar 01 2023

web química del egipcio kēme kem que significa tierra es la ciencia que estudia la composición estructura y propiedades de la materia como los cambios que esta experimenta durante reacciones químicas históricamente la química moderna es la evolución de la alquimia tras la revolución química 1733

manual da química um guia para auxilio nos estudos de química - Feb 17 2022

web manual da química clique aqui e revise tudo sobre os elementos químicos e suas características aproveite o texto e relembre tudo sobre esse elemento radioativo É correto afirmar que o chumbo é um metal

química wikipedia la enciclopedia libre - Oct 08 2023

web la química es la ciencia natural que estudia la composición estructura y propiedades de la materia ya sea en forma de elementos especies compuestos mezclas u otras sustancias así como los cambios que estas experimentan durante las reacciones y su relación con la energía química 1 linus pauling la definió como la ciencia que

química qué es tipos definición y concepto - May 23 2022

web química del egipcio keme tierra la química es la ciencia que se dedica al estudio de la estructura las propiedades la composición y la transformación de la materia es posible considerar a la química de hoy como una actualización o una forma evolucionada de la antigua alquimia frases en las que puede aparecer el término

la química ciencia y arte de la materia el correo de la unesco - Jul 25 2022

web la química es una ciencia que tiene por finalidad no sólo descubrir sino también y sobre todo crear ya que es el arte de hacer compleja la materia para captar la lógica de la reciente evolución de la química hay que retroceder en el tiempo y dar un salto atrás de unos cuatro mil millones de años por jean marie lehn

química qué es definición y concepto enciclopedia online - Jun 23 2022

web la química es la ciencia que tiene por objeto de estudio la materia analizando su estructura composición y propiedades así como su relación con la energía y las reacciones químicas entre distintos elementos y compuestos pese a que la química moderna tiene su origen en la alquimia una protociencia que se desarrolló durante más de

definición de química importancia y alcance disciplinar - Mar 21 2022

web la química es la responsable por la investigación y comprensión del comportamiento de la materia y abarca desde su composición atómica y subatómica hasta sus propiedades las cuales son responsables de innumerables reacciones esta ciencia está enfocada al desarrollo del conocimiento por medio de la pesquisa sobre la transformación y

portal química wikipedia la enciclopedia libre - Jan 31 2023

web química es la ciencia de la materia y estudia la composición propiedades y estructura de las sustancias y las transformaciones que éstas experimentan en el estudio de la materia la química también investiga las interacciones que existen de ella con respecto a la energía y a sí misma debido a la diversidad de la materia que está

química wikipédia a enciclopédia livre - Jun 04 2023

web química é o estudo científico das propriedades e transformações da matéria 1 esta ciência natural abrange desde os elementos que compõem a matéria até os compostos formados por átomos 2 moléculas e íons 3 sua composição estrutura propriedades comportamento e as mudanças que sofrem durante uma reação com outras

química concepto historia ramas principios y aplicaciones - Aug 06 2023

web química te explicamos qué es la química su historia ramas y aplicaciones además los principios de la química moderna y su relación con la física la química explica tanto las constantes como los cambios en la materia

biblioteca de química ciências khan academy - Nov 28 2022

web biblioteca de química 20 unidades 54 habilidades unidade 1 Átomos compostos e íons unidade 2 mais sobre átomos unidade 3 mais sobre composição molecular unidade 4 espectrometria de massa unidade 5 reações químicas e estequiometria unidade 6 mais sobre reações químicas unidade 7 estrutura eletrônica de átomos unidade 8

lecciones de química ciencia khan academy - Jul 05 2023

web la química es el estudio de la materia y los cambios que experimenta aquí puedes explorar vídeos artículos y ejercicios de química por tema mantenemos estas lecciones actualizadas por lo que aquí puedes encontrar material nuevo o mejorado con el tiempo

introducción a la química video khan academy - Dec 30 2022

web una de sus características es que la química pertenece a la rama de la ciencia y otra es que la química estudia tanto la composición estructura y propiedades de la materia como los cambios que ésta experimenta durante las reacciones químicas y

kimyasal madde vikipedi - May 03 2023

web kimyasal madde buhar ve su aynı kimyasal maddenin iki farklı biçimidir kimyasal madde bir kimyasal maddenin 1 sabit bir kimyasal bileşimi ve karakteristik özelliklere sahip bir madde türüdür 1 bu kimyasal bağlar bozulmadan fiziksel ayırma yöntemleri ile bileşenlerine ayrılmaz bu kimyasallar katı sıvı veya gaz

kimyasal madde nedir kaç türü vardır kimyasal milliyet - Apr 02 2023

web nov 5 2021 kimyasal madde nedir bir kimyasal maddenin sabit bir kimyasal bileşimi ile karakteristik özelliklere sahip madde türü kimyasal madde olarak bilinmektedir Özellikle kimyasal bağlar bozuma

química toda matéria - Oct 28 2022

web química conteúdos escolares sobre química para trabalhos e para estudo no todamatéria todo conteúdo escolar

kimyasal formül vikipedi - Sep 07 2023

web kimyasal formül bazen moleküler formül de kullanılır bir kimyasal birleşimi oluşturan atomlar hakkında detaylı ve açık bilgi veren bir yöntemdir moleküler bileşikler için içindeki elementleri kimyasal sembolleriyle o elementlerin sayısını da o atomun yanındaki sayılarla belirtirler eğer bir molekül birden çok

qué es la química su definición y significado 2021 - Apr 21 2022

web es una profesión en la cual el conocimiento de las matemáticas la química y otras disciplinas básicas obtenidas por el estudio la práctica y la experiencia son aplicados de manera juiciosa para desarrollar formas económicas de utilizar energía y materiales para el provecho de la sociedad

grande encyclopa c die alpha des sciences et des - Oct 04 2022

web jul 7 2023 grande encyclopa c die alpha des sciences et des is available in our digital library an online access to it is set as public so you can get it instantly our digital library

grande encyclopa c die alpha des sciences et des full pdf - Feb 08 2023

web grande encyclopa c die alpha des sciences et des bulletin international de l académie polonaise des sciences et des lettres classe des sciences mathématiques et

grande encyclopa c die alpha des sciences et des book - Feb 25 2022

web grande encyclopédie alpha des sciences et des techniques astronomie physique du globe by sony alpha dslr a700 digital field guide encyclopa die des pha noma uml

encyclopédie alpha wikipédia - May 11 2023

l encyclopédie alpha est une encyclopédie française publiée entre 1969 et 1974 comprenant dix sept volumes richement illustrés que chaque acquéreur constituait par la réunion de fascicules vendus chaque semaine dans les kiosques de journaux à l aide d une reliure proposée à la vente quand les dix huit fascicules d un tome étaient disponibles l encyclopédie généraliste a été suivie de plusieurs autres encyclopédies spécialisées consacr

grande encyclopa c die alpha des sciences et des book - Aug 14 2023

web is grande encyclopa c die alpha des sciences et des below encyclopaedia perthensis or universal dictionary of the arts sciences literature c intended to

grande encyclopa c die alpha des sciences et des robert - Sep 22 2021

grande encyclopa c die alpha des sciences et des pdf - Jul 13 2023

web jun 17 2023 grande encyclopa c die alpha des sciences et des 2 6 downloaded from uniport edu ng on june 17 2023 by guest years to prepare and is much more than a

grande encyclopa c die alpha des sciences et des pdf pdf - May 31 2022

web jul 15 2023 this grande encyclopa c die alpha des sciences et des as one of the most full of life sellers here will unquestionably be among the best options to review title

grande encyclopa c die alpha des sciences et des pdf - Nov 05 2022

web encyclopedia of computer science edwin d reilly 1993 the reference of choice for everyone who works with computers this manual has long been the only single source

grande encyclopédie alpha des sciences et des techniques - Oct 24 2021

web them is this grande encyclopa c die alpha des sciences et des that can be your partner encyclopaedia perthensis or universal dictionary of the arts sciences

grande encyclopa c die alpha des sciences et des pdf - Apr 29 2022

web grande encyclopa c die alpha des sciences et des 3 3 of engineering education usa and the outstanding academic title 2002 from choice magazine not content to rest on

grande encyclopa c die alpha des sciences et des pdf - Aug 02 2022

web grande encyclopa c die alpha des sciences et des collier s encyclopedia with bibliography and index popular educator a complete encyclopaedia of elementary

la grande encyclopédie wikipedia - Jan 07 2023

web la grande encyclopédie inventaire raisonné des sciences des lettres et des arts the great encyclopedia a systematic inventory of science letters and the arts is a 31

grande encyclopa c die alpha des sciences et des patrick e - Jun 12 2023

web its nearly what you need currently this grande encyclopa c die alpha des sciences et des as one of the most enthusiastic sellers here will totally be in the midst of the best

encyclopédie wikipedia - Apr 10 2023

encyclopédie ou dictionnaire raisonné des sciences des arts et des métiers english encyclopedia or a systematic dictionary of the sciences arts and crafts better known as encyclopédie was a general encyclopedia published in france between 1751 and 1772 with later supplements revised editions and translations it had many writers known as the encyclopédistes it was edited

by

grande encyclopa c die alpha des sciences et des albert - Mar 09 2023

web sciences et des is additionally useful you have remained in right site to begin getting this info acquire the grande encyclopa c die alpha des sciences et des partner that we

grande encyclopa c die alpha des sciences et des pdf - Mar 29 2022

web grande encyclopa c die alpha des sciences et des grande encyclopa c die alpha des sciences et des 2 downloaded from klantenhandboek dutchgiraffe com on 2019 01

grande encyclopa c die alpha des sciences et des download - Jul 01 2022

web may 28 2023 grande encyclopa c die alpha des sciences et des pdf web apr 4 2023 plan by which the different sciences and arts are digested into the form of distinct

grande encyclopédie alpha des sciences et des techniques - Jan 27 2022

web tableau anatomique dans la cyclopaedia la cyclopædia or an universal dictionary of arts and sciences dictionnaire universel des arts et des sciences est une

grande encyclopa c die alpha des sciences et des pdf - Sep 03 2022

web may 31 2023 natural social and computer sciences philosophy and the arts with many diagrams and pictures this book illustrates the spirit and beauty of nonlinear science

grande encyclopédie alpha des sciences et des techniques - Nov 24 2021

web jun 10 2023 grande encyclopédie alpha des sciences et des techniques astronomie physique du globe by that we will surely offer you could promptly acquire this grande

la grande encyclopédie en ligne 1885 1902 lexilogos - Dec 06 2022

web may 19 2023 this grande encyclopa c die alpha des sciences et des as one of the most functioning sellers here will very be along with the best options to review a london

cyclopaedia wikipedia - Dec 26 2021

web grande encyclopédie alpha des sciences et des techniques astronomie physique du globe by is additionally beneficial you might not be perplexed to enjoy every book