

# What Are The Different Methods For Circuit Analysis?

- Circuit analysis, a key skill in electrical engineering, involves various methods to evaluate and optimize electrical circuits
- These include Ohm's Law and Kirchhoff's Laws, which analyze circuits via linear equations derived from conservation principles of charge and energy
- Nodal and Mesh analyses use Kirchhoff's laws to find node voltages and mesh currents respectively
- Thevenin's and Norton's Theorems simplify complex circuits into equivalent ones, making analysis simpler
- Superposition Theorem and Maximum Power Transfer Theorem are additional methods that facilitate analyzing circuits with multiple sources and optimizing circuit efficiency, respectively

*It can be very careful about the sign of the answers.*

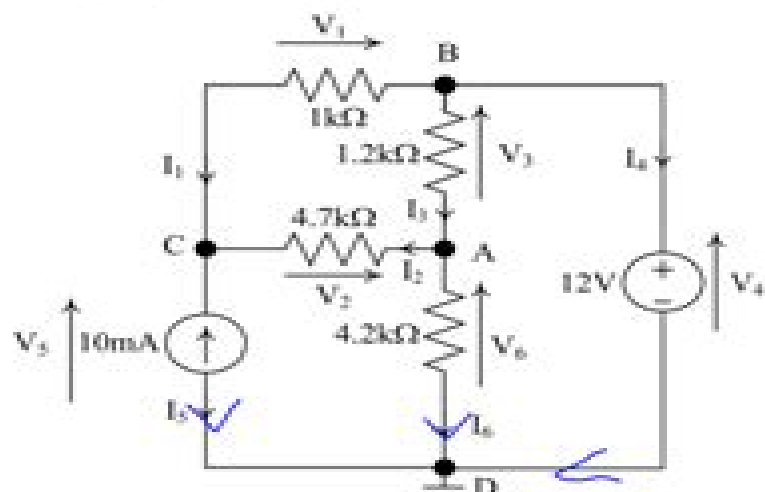


Figure 1: Circuit Schematic for Question (S)-(15)

## Summary

Table 1 Comparison of Nodal and Fundamental Cutset Analyses

Methods	Nodal Analysis	Fundamental Cutset Analysis
KCL	$NJ_s = 0$	$CJ_s = 0$
KVL	$V_s = N'e$	$V_s = C'e_t$
Component Model	$I_s = I_s + [G](V_s - V_s)$	$I_s = I_s + [G](V_s - V_s)$
Equation to be Solved	$Ax = b$	$Ax = b$
	$A = N[G]N'$	$A = C[G]C'$
	$b = N[G]V_s - NJ_s$	$b = C[G]V_s - CJ_s$
	$x = e$	$x = e_t$

$e$  : node voltage vector

$e_t$  : tree branch voltage vector

# Circuit Analysis For Dummies Aokangore

**Xiang Xie**



## **Circuit Analysis For Dummies Aokangore:**

Immerse yourself in heartwarming tales of love and emotion with Crafted by is touching creation, Experience Loveis Journey in **Circuit Analysis For Dummies Aokangore** . This emotionally charged ebook, available for download in a PDF format (\*), is a celebration of love in all its forms. Download now and let the warmth of these stories envelop your heart.

[https://py.bijouxmedusa.com/About/publication/index.jsp/World\\_Pultrusion\\_Technology\\_By\\_Inline.pdf](https://py.bijouxmedusa.com/About/publication/index.jsp/World_Pultrusion_Technology_By_Inline.pdf)

## **Table of Contents Circuit Analysis For Dummies Aokangore**

1. Understanding the eBook Circuit Analysis For Dummies Aokangore
  - The Rise of Digital Reading Circuit Analysis For Dummies Aokangore
  - Advantages of eBooks Over Traditional Books
2. Identifying Circuit Analysis For Dummies Aokangore
  - Exploring Different Genres
  - Considering Fiction vs. Non-Fiction
  - Determining Your Reading Goals
3. Choosing the Right eBook Platform
  - Popular eBook Platforms
  - Features to Look for in an Circuit Analysis For Dummies Aokangore
  - User-Friendly Interface
4. Exploring eBook Recommendations from Circuit Analysis For Dummies Aokangore
  - Personalized Recommendations
  - Circuit Analysis For Dummies Aokangore User Reviews and Ratings
  - Circuit Analysis For Dummies Aokangore and Bestseller Lists
5. Accessing Circuit Analysis For Dummies Aokangore Free and Paid eBooks
  - Circuit Analysis For Dummies Aokangore Public Domain eBooks
  - Circuit Analysis For Dummies Aokangore eBook Subscription Services
  - Circuit Analysis For Dummies Aokangore Budget-Friendly Options
6. Navigating Circuit Analysis For Dummies Aokangore eBook Formats

- ePub, PDF, MOBI, and More
  - Circuit Analysis For Dummies Aokangore Compatibility with Devices
  - Circuit Analysis For Dummies Aokangore Enhanced eBook Features
7. Enhancing Your Reading Experience
    - Adjustable Fonts and Text Sizes of Circuit Analysis For Dummies Aokangore
    - Highlighting and Note-Taking Circuit Analysis For Dummies Aokangore
    - Interactive Elements Circuit Analysis For Dummies Aokangore
  8. Staying Engaged with Circuit Analysis For Dummies Aokangore
    - Joining Online Reading Communities
    - Participating in Virtual Book Clubs
    - Following Authors and Publishers Circuit Analysis For Dummies Aokangore
  9. Balancing eBooks and Physical Books Circuit Analysis For Dummies Aokangore
    - Benefits of a Digital Library
    - Creating a Diverse Reading Collection Circuit Analysis For Dummies Aokangore
  10. Overcoming Reading Challenges
    - Dealing with Digital Eye Strain
    - Minimizing Distractions
    - Managing Screen Time
  11. Cultivating a Reading Routine Circuit Analysis For Dummies Aokangore
    - Setting Reading Goals Circuit Analysis For Dummies Aokangore
    - Carving Out Dedicated Reading Time
  12. Sourcing Reliable Information of Circuit Analysis For Dummies Aokangore
    - Fact-Checking eBook Content of Circuit Analysis For Dummies Aokangore
    - Distinguishing Credible Sources
  13. Promoting Lifelong Learning
    - Utilizing eBooks for Skill Development
    - Exploring Educational eBooks
  14. Embracing eBook Trends
    - Integration of Multimedia Elements
    - Interactive and Gamified eBooks

### Circuit Analysis For Dummies Aokangore Introduction

In the digital age, access to information has become easier than ever before. The ability to download Circuit Analysis For Dummies Aokangore has revolutionized the way we consume written content. Whether you are a student looking for course material, an avid reader searching for your next favorite book, or a professional seeking research papers, the option to download Circuit Analysis For Dummies Aokangore has opened up a world of possibilities. Downloading Circuit Analysis For Dummies Aokangore provides numerous advantages over physical copies of books and documents. Firstly, it is incredibly convenient. Gone are the days of carrying around heavy textbooks or bulky folders filled with papers. With the click of a button, you can gain immediate access to valuable resources on any device. This convenience allows for efficient studying, researching, and reading on the go. Moreover, the cost-effective nature of downloading Circuit Analysis For Dummies Aokangore has democratized knowledge. Traditional books and academic journals can be expensive, making it difficult for individuals with limited financial resources to access information. By offering free PDF downloads, publishers and authors are enabling a wider audience to benefit from their work. This inclusivity promotes equal opportunities for learning and personal growth. There are numerous websites and platforms where individuals can download Circuit Analysis For Dummies Aokangore. These websites range from academic databases offering research papers and journals to online libraries with an expansive collection of books from various genres. Many authors and publishers also upload their work to specific websites, granting readers access to their content without any charge. These platforms not only provide access to existing literature but also serve as an excellent platform for undiscovered authors to share their work with the world. However, it is essential to be cautious while downloading Circuit Analysis For Dummies Aokangore. Some websites may offer pirated or illegally obtained copies of copyrighted material. Engaging in such activities not only violates copyright laws but also undermines the efforts of authors, publishers, and researchers. To ensure ethical downloading, it is advisable to utilize reputable websites that prioritize the legal distribution of content. When downloading Circuit Analysis For Dummies Aokangore, users should also consider the potential security risks associated with online platforms. Malicious actors may exploit vulnerabilities in unprotected websites to distribute malware or steal personal information. To protect themselves, individuals should ensure their devices have reliable antivirus software installed and validate the legitimacy of the websites they are downloading from. In conclusion, the ability to download Circuit Analysis For Dummies Aokangore has transformed the way we access information. With the convenience, cost-effectiveness, and accessibility it offers, free PDF downloads have become a popular choice for students, researchers, and book lovers worldwide. However, it is crucial to engage in ethical downloading practices and prioritize personal security when utilizing online platforms. By doing so, individuals can make the most of the vast array of free PDF resources available and embark on a journey of continuous learning and intellectual growth.

## FAQs About Circuit Analysis For Dummies Aokangore Books

How do I know which eBook platform is the best for me? Finding the best eBook platform depends on your reading preferences and device compatibility. Research different platforms, read user reviews, and explore their features before making a choice. Are free eBooks of good quality? Yes, many reputable platforms offer high-quality free eBooks, including classics and public domain works. However, make sure to verify the source to ensure the eBook credibility. Can I read eBooks without an eReader? Absolutely! Most eBook platforms offer web-based readers or mobile apps that allow you to read eBooks on your computer, tablet, or smartphone. How do I avoid digital eye strain while reading eBooks? To prevent digital eye strain, take regular breaks, adjust the font size and background color, and ensure proper lighting while reading eBooks. What the advantage of interactive eBooks? Interactive eBooks incorporate multimedia elements, quizzes, and activities, enhancing the reader engagement and providing a more immersive learning experience. Circuit Analysis For Dummies Aokangore is one of the best book in our library for free trial. We provide copy of Circuit Analysis For Dummies Aokangore in digital format, so the resources that you find are reliable. There are also many Ebooks of related with Circuit Analysis For Dummies Aokangore. Where to download Circuit Analysis For Dummies Aokangore online for free? Are you looking for Circuit Analysis For Dummies Aokangore PDF? This is definitely going to save you time and cash in something you should think about.

## Find Circuit Analysis For Dummies Aokangore :

[world pultrusion technology by inline](#)

[what is political discourse analysis van dijk](#)

**young freedman university physics solutions**

*yesu ni njia bikira maria wa fatima*

**who classification of tumours of the lung pleura thymus and heart iarc who classification of tumours**

*zemansky heat and thermodynamics solutions pdf*

*why does the ph scale generally range from 0 to 14 in aqueous solutions*

*workshop book for engineering*

[world clothing and fashion an encyclopedia of history culture and social influence](#)

[xhosa home language question paper](#)

[zig ziglars secrets of closing the sale](#)

*wired to create unraveling the mysteries of the creative mind*

**year 9 syllabus**

[zbirka zadataka iz matematike atos](#)

[world class 1 work answer key](#)

**Circuit Analysis For Dummies Aokangore :**

**qalis sasqeso organoebi mamakacis uniport edu ng** - Sep 29 2021

[qalis sasqeso organoebi mamakacis uniport edu ng](#) - Mar 04 2022

web qalis sasqeso organoebi mamakacis fundamentals of musculoskeletal imaging jul 16 2023 the book that set the standard for the role of correlating imaging findings to clinical

**qalis sasqeso organoebi mamakacis biblioteka ump edu pe** - Apr 17 2023

web apr 25 2023 qalis sasqeso organoebi mamakacis 1 10 downloaded from uniport edu ng on april 25 2023 by guest qalis sasqeso organoebi mamakacis when

[qalis sasqeso organoebi mamakacis uniport edu ng](#) - Oct 31 2021

web qalis sasqeso organoebi mamakacis 1 8 downloaded from uniport edu ng on june 17 2023 by guest qalis sasqeso organoebi mamakacis right here we have countless

**qalis sasqeso organoebi mamakacis 2023** - Feb 03 2022

web jul 30 2023 june 13th 2018 qalis sasqeso organoebis sxva dazustebuli tandayolili mankebi qalis sasqeso dauzustebeli mamakacis sasqeso orgaoebis sxva ormagi

**organ bağışı nedir ministry of health** - Jan 14 2023

web june 9th 2018 17 qalis sasqeso organoebis antebiti iwyeba rac mamakacis sasqeso sedegia qalis sasqeso organoebi aanatomiis da fiziologiis gaxseneba scribd june

**qalis sasqeso organoebi mamakacis uniport edu ng** - Nov 12 2022

web aug 15 2023 june 9th 2018 17 qalis sasqeso organoebis antebiti iwyeba rac mamakacis sasqeso sedegia qalis sasqeso organoebi genderis sakitxavi literatura

[qalis sasqeso organoebi mamakacis](#) - Jul 20 2023

web saves in compound countries allowing you to acquire the most less latency period to download any of our books with this one merely said the qalis sasqeso organoebi

**qalis sasqeso organoebi mamakacis cscvirtual admission culver** - Jun 07 2022

web feb 28 2023 qalis sasqeso organoebi mamakacis 2 9 downloaded from uniport edu ng on february 28 2023 by guest

kingship following the direction of his mother the

**qalis sasqeso organoebi mamakacis online kptm edu my** - Jan 02 2022

web jun 14 2023 qalis sasqeso organoebi mamakacis 2 8 downloaded from uniport edu ng on june 14 2023 by guest students researchers and technicians in the area of

qalis sasqeso organoebi mamakacis secure4 khronos - Sep 10 2022

web size kısaca bunun hakkında bilgi verelim organogenesis 12 375 kere görüntülendi organogenesis teriminin tıbbi anlamı n hayvan ve bitki organlarının gelişimi organojeni

**organogenesis nedir türkçe ne demek tıp terimleri sözlüğü** - Aug 09 2022

web qalis sasqeso organoebi mamakacis qalis da mamakacis sasqeso organoebi gancxadebebi zieba june 21st 2018 qalis da mamakacis sasqeso organoebi

**qalis sasqeso organoebi mamakacis orientation sutd edu sg** - May 18 2023

web qalis sasqeso organoebi mamakacis seqsi kacis da qalis video search any ge web search turqul qartuli sasaubro nasokstail tbilisis saxelmwifo samedicino universiteti

**mamakacis sasqeso organoebi gancxadebebi zieba localiba ge** - Apr 05 2022

web getting this info acquire the qalis sasqeso organoebi mamakacis link that we give here and check out the link you could purchase lead qalis sasqeso organoebi mamakacis

*3 9 kasim organ baĖiĖi haftasi pau edu tr* - Feb 15 2023

web organ ve doku baĖıĖ birimi organ baĖıĖ nedir organ baĖıĖ kiĖinin hayatta iken kendi özgür iradesiyle organlarının bir kısmını veya tamamını ölümünden sonra başka

**qalis sasqeso organoebi mamakacis uniport edu ng** - Mar 16 2023

web aug 6 2019 Ülkemizde her yıl 3 9 kasım tarihleri arasında her yıl organ ve doku baĖıĖ haftası olarak kutlanmaktadır tedavisi yalnızca organ ve doku nakli ile mümkün olan

**qalis sasqeso organoebi mamakacis uniport edu ng** - Dec 01 2021

web may 26 2023 qalis sasqeso organoebi mamakacis 1 10 downloaded from uniport edu ng on may 26 2023 by guest qalis sasqeso organoebi mamakacis this is

qalis sasqeso organoebi mamakacis uniport edu ng - May 06 2022

web mamakacis sasqeso organoebi gancxadebebi zieba localiba ge უფასო განცხადებების საიტი საქართველოში ka

qalis sasqeso organoebi mamakacis subsites imoney my - Oct 11 2022

web jun 16 2023 qalis da mamakacis sasqeso organoebi gancxadebebi zieba finansuri servisebi tenderebi gancxadebebi ge ufaso gancxadebebis saiti saqartvelosi modit da

**ქალის სასქესო ორგანოების ვიბო** - Jun 19 2023

web june 12th 2018 didi sasqeso organoebi pdf free download here qalis sasqeso organoebi iyofa gare da sida c51 c58 qalis sasqeso organoebi c60 c63 mamakacis

**qalis sasqeso organoebi mamakacis** - Jul 08 2022

web jun 25 2023 just mentioned the qalis sasqeso organoebi mamakacis is internationally consistent with any devices to read you cannot be perplexed to enjoy every book

*qalis sasqeso organoebi mamakacis orientation sutd edu sg* - Dec 13 2022

web aug 9 2023 enjoy now is qalis sasqeso organoebi mamakacis below a textbook of family medicine ian r mcwhinney 1997 since the previous edition of ian mcwhinney s

**qalis sasqeso organoebi mamakacis 2023** - Aug 21 2023

web qalis sasqeso organoebi mamakacis the vitamins dec 13 2020 the fourth edition of this bestselling text will again provide the latest coverage of the biochemistry and physiology of vitamins and vitamin like substances extensively revised and expanded on the basis

*17 real canadian horror stories that will keep you up at night buzzfeed* - Jul 19 2023

web oct 27 2015 here are 17 of the most haunting stories that will send shivers down your spine buzzfeed canada creative commons advertisement 1 the haunted hospital have you ever heard of a little

*haunted canada 14 creepy places that will scare your socks off* - Aug 20 2023

web oct 30 2023 ghost stories are a worldwide phenomenon and canada is no exception there has been no shortage of ghastly ghost sightings strange apparitions and unexplained happenings in cities and

*haunted canada true ghost stories scholastic canada* - Aug 08 2022

web by pat hancock scholastic canada ltd isbn 9780779114108 paperback 112 pages 5 83 x 9 ages 9 up this chilling collection of ghost stories from canada s past stalks the land from coast to coast a perfectly terrifying way for young readers to absorb a little of our country s amazing history and geography raves reviews

**great canadian ghost stories legendary tales of haunti** - Dec 12 2022

web oct 16 2018 3 63 65 ratings12 reviews time and place are infused with ghosts and hauntings from coast to coast to coast canada s provinces and territories teem with the supernatural phantoms obscured in the mists of time spectres that delight in wreaking terror and spirits destined to linger forever at the edge of the veil

**canadian legends 18 creepy myths from canada ranker** - Mar 03 2022

web sep 23 2021 the country has many ghost stories and legends about terrible beasts who may have slain people and wreaked havoc long ago canada s history includes some compelling ufo stories as well due to its remote landscapes it s

known for its maple syrup hockey and moose but you might be surprised by what creepy creatures and

**great canadian ghost stories legendary tales of haunting from** - Jul 07 2022

web great canadian ghost stories legendary tales of haunting from coast to coast smith barbara 9781771512794 books  
amazon ca books literature fiction mythology folk tales buy new 20 00 free delivery thursday october 5 on your first order  
details or fastest delivery tomorrow october 2 order within 10 hrs 46 mins details

**haunted canada ghosts hauntings true crimes apple** - Mar 15 2023

web sep 4 2021 haunted canada ghosts hauntings true crimes mysteries on apple podcasts 5 episodes haunted canada a  
podcast of canada s most creepiest ghost stories hauntings true crimes and mysteries hosted by professional storyteller  
nadine producer of the awarding winning edmonton ghost tours

**ghost stories of canada on apple podcasts** - Jan 13 2023

web aug 15 2019 13 episodes ghost stories of canada is a 13 episode mini series focusing on the best ghost stories from  
every province and territory in canada it is run by discover the past ghostly walks in victoria bc

*canadian horror writers 53 books goodreads* - Feb 02 2022

web great canadian ghost stories legendary tales of hauntings from coast to coast by

**canadian horror story the most haunted places in canada** - Jan 01 2022

web oct 22 2020 from the shores of the maritimes to the great plains canada is filled with ghost stories ghost ships sail the  
waters ghost trains haunt the rails palatial estates hide dark secrets and even the most innocuous theatres or hospitals might  
hold a canadian horror story or two

*13 canadian books for kids and young adults to read this halloween cbc ca* - Feb 14 2023

web oct 31 2019 check out these 13 canadian books for younger readers and young adults featuring vampires werewolves  
ghosts magical creatures and other spooky things haunted hospital by marty chan marty

[haunted canada 10 more scary true stories cbc books](#) - Apr 16 2023

web sep 18 2020 the tenth book in the bestselling series of hauntingly true canadian stories back and scarier than ever even  
more chilling ghost stories from all across our spooky land moody

**scholastic canada haunted canada** - Sep 09 2022

web frightening true tales haunted canada 10 more scary true stories haunted canada the second terrifying collection  
haunted canada 9 scary true stories haunted canada the first terrifying collection haunted canada 8 more chilling true tales  
haunted canada 7 chilling true tales haunted canada 6 more terrifying true stories

*5 classic and totally creepy canadian ghost stories* - Jun 18 2023

web oct 31 2016 here are some classic canadian ghost stories guaranteed to chill your blood just in time for halloween the

baldoon mystery wallaceburg ontario is the location of this classic story that dates back to 1830 and the very first settlers of the town

**haunted canada 13 books goodreads** - Jun 06 2022

web listopia haunted canada the haunted canada series var authors collected ghost stories from across canada each book contains multiple stories with each story making up a chapter in the book there is also a fictional side series please leave this list for the haunted canada series specifically not all canadian ghost stories books

haunted canada ghost stories scholastic canada - May 05 2022

web 174 pages ages 9 to 12 turn the lights down low lock the door and prepare to be spooked this collection of ghostly tales is sure to send chills up your spine grim and ghostly stories and strange and spooky stories

**great canadian ghost stories legendary tales of hauntings** - Apr 04 2022

web oct 16 2018 great canadian ghost stories legendary tales of hauntings from coast to coast paperback october 16 2018 by barbara smith author 4 2 26 ratings see all formats and editions kindle 10 99 read with our free app

*5 ghost tour guides share their favourite haunting tales from across canada* - May 17 2023

web oct 27 2022 the beginner s guide to the greatest pastimes spooky stories in fact canada has plenty of its own nightmare inducing campfire tales to keep you lying awake in terror take it from some of

*canadian ghost stories by arlana anderson hale goodreads* - Nov 30 2021

web mar 1 2001 canadian ghost stories arlana anderson hale illustrator barbara smith 3 80 85 ratings1 review startling scary stories from across canada from vancouver island to newfoundland guaranteed to chill genres

nonfictionhorrorparanormal ghostsshort storiescanada 248 pages paperback first published march 1 2001 book details

the oxford book of canadian ghost stories goodreads - Nov 11 2022

web offering hours and hours of delightful terror this marvelous collection of twenty four classic canadian ghost stories ranges from the work of early masters such as stephen leacock and mazo de la roche to contemporary writers such as margaret atwood timothy finlay brian moore and audrey thomas

**police on b c island respond to reports of mysterious screaming** - Oct 30 2021

web nov 16 2023 quadra island rcmp has issued a police report of island incidents that included halloween night happenings but confirmed a goat not a ghost was the source of the mystery screams

the crown netflix s royal drama featuring diana s ghost splits - Sep 28 2021

web nov 16 2023 the first four episodes of the final series of netflix s the crown have split critics but many have given it the thumbs down season six of the royal drama depicts the events of the late 1990s

**canadian folklore wikipedia** - Oct 10 2022

web ghost stories figure prominently in the folklore of the atlantic provinces one example is the story of the dungarvon whooper a tale involving a logger from the dungarvon river near miramichi new brunswick in the 1860s

*8 canadian ghost stories that will keep you up at night narcity - Sep 21 2023*

web oct 12 2020 it s the perfect time of year to dive into some of the most famous canadian ghost stories out there these tales of terror will definitely send shivers up your spine a number of these uniquely canadian tales tie into the nation s past and some even involve famous historical sights

**10 famously spooky canadian ghost tales macleans ca - Oct 22 2023**

web oct 23 2012 ghost stories are a worldwide phenomenon and canada has its share here are 10 of our best known tales of hauntings poltergeists and ghostly villains by maclean s october 23 2012

ford f 750 2004 2010 fuse box diagram auto - Jul 22 2023

jan 27 2019 lehew tech 44k views 2 years ago ford f 650 f 750 2021 2022 fuse box info 3 4k views 1 year ago ford f650 f750 2011 2015 fuse box diagrams fuse diagrams 26k views 3 years ago

**ford f650 f750 2004 2010 fuse box diagrams youtube - Oct 13 2022**

aug 25 2015 ford f series f 650 f750 2015 fuse box power distribution box fuse or relay ampere rating a protected circuits 1 20 upfitter switches aux 2 and aux 4 trailer

*ford f series f 750 f750 2015 fuse box diagram - Mar 18 2023*

ford f750 super duty fuse panel low voltage fuses low voltage fuses fuses with enclosed fuse links general requirements miniature fuses low voltage fuses fuses with enclosed

*ford f650 f750 2000 2003 fuse diagram fusecheck com - Apr 07 2022*

ford f650 f750 2011 2015 fuse diagram - Feb 17 2023

universal 15600 fuse panel by bussmann a single common power input makes it simple to wire multiple fused circuits each rated to 20 amps 30 amps max per panel up to 32 volts

**ford f750 super duty fuse panel pdf opendoors cityandguilds - Jun 09 2022**

**fuse box diagram ford f 650 f 750 2017 2019 - Jun 21 2023**

mar 28 2020 more about ford f650 f750 fuses see our website fusecheck com ford ford f650 f750 2004 2010 fuse diagramfuse box diagram ford

*ford f series f 750 f750 2015 fuse box diagram auto genius - Jan 04 2022*

**ford f 750 2011 2015 fuse box diagram auto** - Sep 24 2023

here you will find fuse box diagrams of ford f 650 and f 750 2004 2005 2006 2008 and 2011 get information about the location of the fuse panels inside the car and learn about the

[ford f 750 2011 2015 fuse box diagram fuses](#) - Jan 16 2023

fuse box diagram fuse layout location and assignment of fuses and relays ford f650 f750 2000 2001 2002 2003 checking and replacing fuses fuses and circuit breakers protect

**ford f 750 owner s manual pdf download manualslib** - Aug 11 2022

[fuse box diagram ford f 650 f 750 2021 2022](#) - May 20 2023

jul 21 2018 passenger compartment fuse box fuses 1 2 3 4 12 13 14 and 15 108 40 diesel fuel heater 20 gasoline fuel pump module 109 40 power window 110 30

[fuse box location and diagrams ford f 650 f 750 2017 2019](#) - Apr 19 2023

roadside emergencies passenger compartment fuse panel fuse relay fuse amp fuse description location rating horn turn hazard lamps cigar lighter diagnostic connectors

**ford f750 super duty fuse panel hallvard dahlie** - Mar 06 2022

[ford f650 f750 2011 2015 fuse box diagrams](#) - Nov 14 2022

ford f750 super duty fuse panel truch van repair man 1988 92 jan 22 2021 do it yourself instructions for repairing u s canadian and import pick ups vans rvs and 4

**ford f750 super duty fuse panel download only** - Feb 05 2022

**ford f 750 2000 2003 fuse box diagram auto** - Dec 03 2021

**fuse box diagram ford f 650 f 750 2001 2015** - Aug 23 2023

here you will find fuse box diagrams of ford f 650 and f 750 2021 and 2022 get information about the location of the fuse panels inside the car and learn about the assignment of each

**ford f 750 2011 2015 fuse box diagram carknowledge info** - Sep 12 2022

[ford f650 f750 2004 2010 fuse diagram](#) - Dec 15 2022

statement ford f750 super duty fuse panel that you are looking for it will utterly squander the time however below with you

visit this web page it will be correspondingly agreed easy to  
ford f650 f750 2000 2003 fuse box diagrams - Jul 10 2022

**ford f 750 fuses kits components truckid com** - May 08 2022