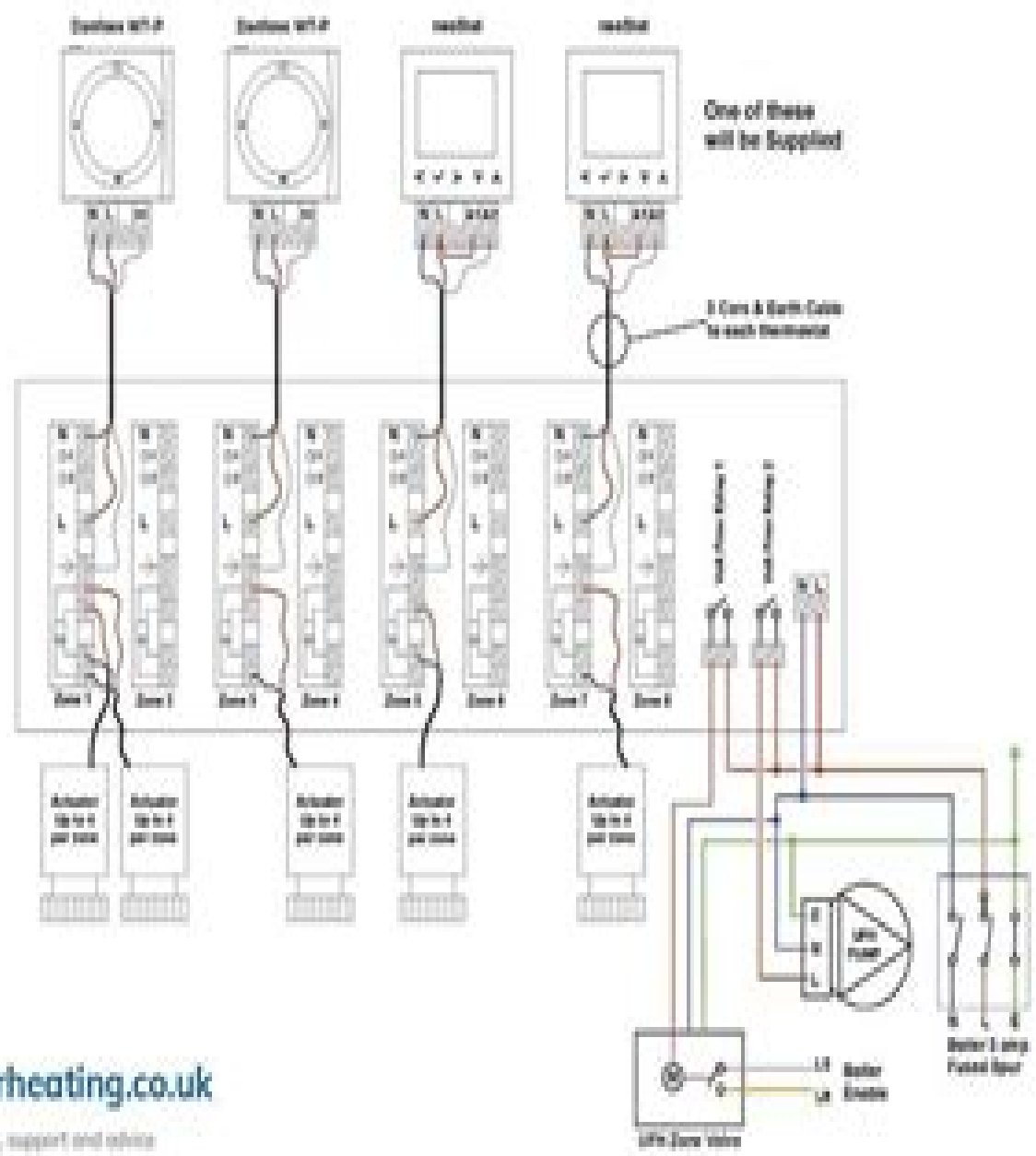


Wiring using a Wiring Centre (Multi Zone)



Connection Example Danfoss

Xiaolong Qi



Connection Example Danfoss:

Network Based High Speed Product Development Peter Lindgren,2022-09-01 In the first decade of the 21st century product development in networks was predicted to be of ever increasing importance to businesses of all sizes because of changes in markets in technology in networks and in the competences of Businesses The growth in new products share of businesses total turnover and earnings were increasing at an unprecedented speed The entrepreneurial innovations and technological improvements had resulted in the increasingly fast development of new products and services Businesses and industries in different countries became increasingly more linked and interdependent in networks with respect to materials business operations and particularly product development to match the wants and needs of the global market environment to high speed product development Businesses were therefore encountering increasingly dynamic market fragmentation shrinking time in market increasing product variety demands of production to customer specifications reduced product lifetimes and globalization of production Networks were vital because the competition is not business against business but network against network Networks are vital because an increasing part of product development was carried out in all types of networks containing physical ICT dynamic and virtual networks Speed and pressure on time in product development seemed to continue to increase because customer demands for new products seemed to continue to increase However a Business seldom possessed all needed competences and managers saw product development based on networks as an important solution to meet the strong competition of the future global markets and the strong demand for innovation and innovativeness The evolution of market demands and focus required on competencies of businesses could be characterized as a development from a focus on efficiency to a focus on quality and flexibility to a focus on speed and innovativeness This was why it was interesting and important to research and discuss product development and especially to understand high speed product development of individualized products in fragile market segments Consequently findings and learning on aspects like enablers management tools technological tools product development models product development processes and network tools to speed new product development are presented in this book [Entrepreneurship in Theory and Practice](#) Suna Løwe Nielsen, Kim Klyver, Majbritt Rostgaard Evald, Torben Bager, 2021-03-26 The third edition of this creative and successful textbook provides a broad overview of entrepreneurship from a theoretical and practical perspective Engaging for undergraduates it embeds theories of entrepreneurship with tensions and dilemmas presented as paradoxes for each chapter It offers insights into the entrepreneurial process and challenges readers to assess the paradoxes and pitfalls encountered on an entrepreneurial journey

Collaborative Communities of Firms Anne Bøllingtoft, Lex Donaldson, George P. Huber, Dorthe Døjbak Håkonsson, Charles C. Snow, 2011-11-23 Faced with the ever accelerating pace of technological change and the restructuring of markets many firms have been questioning the appropriateness of their own organizational structure and effectiveness Consequently we have witnessed much organizational experimentation and the development of new forms

of organizing over the last decade Firms are more dependent than ever on the need for continuous and radical innovations and often innovations that go beyond their existing businesses This challenges firms in terms of knowledge and idea sharing and often necessitates the need to expand beyond the boundaries of the single firm for multi party collaboration to meet serious challenges and develop creative solutions Drawing from the Fourth International Workshop on Organization Design and featuring contributions from an international array of specialists this volume focuses on the expansion beyond the boundaries of the single firm and multi firm networks to include for example community based organization designs A community is a connected set of firms the connections can take on many different dimensions For organization design theory community based organizations have many implications For one organization design theory has to identify and describe designs that enhance collaborative behavior among firms without restricting the ability of the individual firm to continue to compete within its own marketplace Moreover organization design theory also has to identify and describe information processing strategies and designs that allow the continuous generation sharing and application of existing information and knowledge The development of effective collaborative community designs is critically important to the global economy because increasingly our future depends on pursuing shared goals and sustainably developing our global commons Ideally the ideas and findings in this book will contribute to increased attention to new organization designs capable of meeting 21st century opportunities and challenges

Embedded Software ,2005 **Mass Customisation and Personalisation in Architecture and Construction** Poorang Piroozfar, Frank Piller, 2013-06-19 Challenged by the recent economic crisis the building and construction industry is currently seeking new orientation and strategies Here mass customisation is uncovered as a key strategy in helping to meet this challenge The term mass customisation denotes an offering that meets the demands of each individual customer whilst still being produced with mass production efficiency Today mass customisation is emerging from a pilot stage into a scalable and sustainable strategy The first dedicated publication of its kind this book provides a forum for the concept within an applied and highly innovative context The book includes contributions from some of the most prominent thinkers and practitioners in the field from across the world including Kasper S Vibaek Steve Kendall Martin Bechthold Mitchell M Tseng and Masa Noguchi Bringing together this panel of experts who have carried out research both in academia and practice this book provides an overview of state of the art practice related to the concept of customisation and personalisation within the built environment

Water 21 ,1999 **Interactions** ,1997 A magazine for designers of interactive products **Processing** ,1984 From Ideas to Action Jan-Olaf Willums, Ulrich Golüke, 1992 The earth our asset Business sustainable development and environmental assets The air around us The water we need The vanishing forests The richness of nature biodiversity The lost resource waste Hopes and promises population poverty and health The business response to sustainable development The greening of enterprise industry s score Fueling economic development the double edge of energy Bridging the gap industry s role in technology cooperation The road ahead The ICC

business charter for sustainable development The history of the business charter Further reference material on cases Corporate environmental profiles The Rio declaration and ICC business charter on environment and development Reference documents **The Engineering and Boiler House Review** ,1962 **The Journal of Refrigeration** ,1968 Modern Refrigeration ... ,1974 **Modern Refrigeration and Air Control** ,1962 **Desalination** Jane Kucera,2019-04-11 This all new revised edition of a modern classic is the most comprehensive and up to date coverage of the green process of desalination in industrial and municipal applications covering all of the processes and equipment necessary to design operate and troubleshoot desalination systems This is becoming increasingly more important for not only our world s industries but our world s populations as pure water becomes more and more scarce Blue is the new green This is an all new revised edition of a modern classic on one of the most important subjects in engineering Water Featuring a total revision of the initial volume this is the most comprehensive and up to date coverage of the process of desalination in industrial and municipal applications a technology that is becoming increasingly more important as more and more companies choose to go green This book covers all of the processes and equipment necessary to design operate and troubleshoot desalination systems from the fundamental principles of desalination technology and membranes to the much more advanced engineering principles necessary for designing a desalination system Earlier chapters cover the basic principles the economics of desalination basic terms and definitions and essential equipment The book then goes into the thermal processes involved in desalination such as various methods of evaporation distillation recompression and multistage flash Following that is an exhaustive discussion of the membrane processes involved in desalination such as reverse osmosis forward osmosis and electro dialysis Finally the book concludes with a chapter on the future of these technologies and their place in industry and how they can be of use to society This book is a must have for anyone working in water for engineers technicians scientists working in research and development and operators It is also useful as a textbook for graduate classes studying industrial water applications

Market Oriented Product Innovation Knut Holt,2013-03-14 Market Oriented Product Innovation differs from most other titles written either from a marketing or technical perspective by giving a holistic view of the product innovation process It has a product perspective written from a managerial point of view recognizing that product innovation or new product development is a discipline of its own It is concerned with managing the products goods and services through their life cycle integrating marketing knowledge and technological expertise with the aim of getting satisfied customers The book also gives a thorough treatment of the human and cultural aspects of product innovation by focusing on the change processes needed for the development of a market oriented culture *Engineering and Boiler House Review* ,1956 *Federal Register* ,2013-12 *Engineering Materials and Design* ,1990 *Equal Opportunities Review* ,2002 *The Journal of the Institution of Heating and Ventilating Engineers* Institution of Heating and Ventilating Engineers (Great Britain),1960

Discover tales of courage and bravery in Crafted by is empowering ebook, **Connection Example Danfoss** . In a downloadable PDF format (PDF Size: *), this collection inspires and motivates. Download now to witness the indomitable spirit of those who dared to be brave.

<https://py.bijouxmedusa.com/results/scholarship/HomePages/tips%20for%20entrepreneurs%201%202638%20ecommerce%20trends%20tips%20for%20small%20business.pdf>

Table of Contents Connection Example Danfoss

1. Understanding the eBook Connection Example Danfoss
 - The Rise of Digital Reading Connection Example Danfoss
 - Advantages of eBooks Over Traditional Books
2. Identifying Connection Example Danfoss
 - Exploring Different Genres
 - Considering Fiction vs. Non-Fiction
 - Determining Your Reading Goals
3. Choosing the Right eBook Platform
 - Popular eBook Platforms
 - Features to Look for in an Connection Example Danfoss
 - User-Friendly Interface
4. Exploring eBook Recommendations from Connection Example Danfoss
 - Personalized Recommendations
 - Connection Example Danfoss User Reviews and Ratings
 - Connection Example Danfoss and Bestseller Lists
5. Accessing Connection Example Danfoss Free and Paid eBooks
 - Connection Example Danfoss Public Domain eBooks
 - Connection Example Danfoss eBook Subscription Services
 - Connection Example Danfoss Budget-Friendly Options

6. Navigating Connection Example Danfoss eBook Formats
 - ePub, PDF, MOBI, and More
 - Connection Example Danfoss Compatibility with Devices
 - Connection Example Danfoss Enhanced eBook Features
7. Enhancing Your Reading Experience
 - Adjustable Fonts and Text Sizes of Connection Example Danfoss
 - Highlighting and Note-Taking Connection Example Danfoss
 - Interactive Elements Connection Example Danfoss
8. Staying Engaged with Connection Example Danfoss
 - Joining Online Reading Communities
 - Participating in Virtual Book Clubs
 - Following Authors and Publishers Connection Example Danfoss
9. Balancing eBooks and Physical Books Connection Example Danfoss
 - Benefits of a Digital Library
 - Creating a Diverse Reading Collection Connection Example Danfoss
10. Overcoming Reading Challenges
 - Dealing with Digital Eye Strain
 - Minimizing Distractions
 - Managing Screen Time
11. Cultivating a Reading Routine Connection Example Danfoss
 - Setting Reading Goals Connection Example Danfoss
 - Carving Out Dedicated Reading Time
12. Sourcing Reliable Information of Connection Example Danfoss
 - Fact-Checking eBook Content of Connection Example Danfoss
 - Distinguishing Credible Sources
13. Promoting Lifelong Learning
 - Utilizing eBooks for Skill Development
 - Exploring Educational eBooks
14. Embracing eBook Trends
 - Integration of Multimedia Elements

- Interactive and Gamified eBooks

Connection Example Danfoss Introduction

Connection Example Danfoss Offers over 60,000 free eBooks, including many classics that are in the public domain. Open Library: Provides access to over 1 million free eBooks, including classic literature and contemporary works. Connection Example Danfoss Offers a vast collection of books, some of which are available for free as PDF downloads, particularly older books in the public domain. Connection Example Danfoss : This website hosts a vast collection of scientific articles, books, and textbooks. While it operates in a legal gray area due to copyright issues, its a popular resource for finding various publications. Internet Archive for Connection Example Danfoss : Has an extensive collection of digital content, including books, articles, videos, and more. It has a massive library of free downloadable books. Free-eBooks Connection Example Danfoss Offers a diverse range of free eBooks across various genres. Connection Example Danfoss Focuses mainly on educational books, textbooks, and business books. It offers free PDF downloads for educational purposes. Connection Example Danfoss Provides a large selection of free eBooks in different genres, which are available for download in various formats, including PDF. Finding specific Connection Example Danfoss, especially related to Connection Example Danfoss, might be challenging as theyre often artistic creations rather than practical blueprints. However, you can explore the following steps to search for or create your own Online Searches: Look for websites, forums, or blogs dedicated to Connection Example Danfoss, Sometimes enthusiasts share their designs or concepts in PDF format. Books and Magazines Some Connection Example Danfoss books or magazines might include. Look for these in online stores or libraries. Remember that while Connection Example Danfoss, sharing copyrighted material without permission is not legal. Always ensure youre either creating your own or obtaining them from legitimate sources that allow sharing and downloading. Library Check if your local library offers eBook lending services. Many libraries have digital catalogs where you can borrow Connection Example Danfoss eBooks for free, including popular titles. Online Retailers: Websites like Amazon, Google Books, or Apple Books often sell eBooks. Sometimes, authors or publishers offer promotions or free periods for certain books. Authors Website Occasionally, authors provide excerpts or short stories for free on their websites. While this might not be the Connection Example Danfoss full book , it can give you a taste of the authors writing style. Subscription Services Platforms like Kindle Unlimited or Scribd offer subscription-based access to a wide range of Connection Example Danfoss eBooks, including some popular titles.

FAQs About Connection Example Danfoss Books

What is a Connection Example Danfoss PDF? A PDF (Portable Document Format) is a file format developed by Adobe that preserves the layout and formatting of a document, regardless of the software, hardware, or operating system used to view or print it. **How do I create a Connection Example Danfoss PDF?** There are several ways to create a PDF: Use software like Adobe Acrobat, Microsoft Word, or Google Docs, which often have built-in PDF creation tools. Print to PDF: Many applications and operating systems have a "Print to PDF" option that allows you to save a document as a PDF file instead of printing it on paper. Online converters: There are various online tools that can convert different file types to PDF. **How do I edit a Connection Example Danfoss PDF?** Editing a PDF can be done with software like Adobe Acrobat, which allows direct editing of text, images, and other elements within the PDF. Some free tools, like PDFescape or Smallpdf, also offer basic editing capabilities. **How do I convert a Connection Example Danfoss PDF to another file format?** There are multiple ways to convert a PDF to another format: Use online converters like Smallpdf, Zamzar, or Adobe Acrobat's export feature to convert PDFs to formats like Word, Excel, JPEG, etc. Software like Adobe Acrobat, Microsoft Word, or other PDF editors may have options to export or save PDFs in different formats. **How do I password-protect a Connection Example Danfoss PDF?** Most PDF editing software allows you to add password protection. In Adobe Acrobat, for instance, you can go to "File" -> "Properties" -> "Security" to set a password to restrict access or editing capabilities. Are there any free alternatives to Adobe Acrobat for working with PDFs? Yes, there are many free alternatives for working with PDFs, such as: LibreOffice: Offers PDF editing features. PDFsam: Allows splitting, merging, and editing PDFs. Foxit Reader: Provides basic PDF viewing and editing capabilities. How do I compress a PDF file? You can use online tools like Smallpdf, ILovePDF, or desktop software like Adobe Acrobat to compress PDF files without significant quality loss. Compression reduces the file size, making it easier to share and download. Can I fill out forms in a PDF file? Yes, most PDF viewers/editors like Adobe Acrobat, Preview (on Mac), or various online tools allow you to fill out forms in PDF files by selecting text fields and entering information. Are there any restrictions when working with PDFs? Some PDFs might have restrictions set by their creator, such as password protection, editing restrictions, or print restrictions. Breaking these restrictions might require specific software or tools, which may or may not be legal depending on the circumstances and local laws.

Find Connection Example Danfoss :

[tips for entrepreneurs 81-2638 ecommerce trends tips for small business](#)

[startups 81-737 side hustles apps for creators 81-1531 side hustles apps](#)

[States 81-449 real estate investing case study United States 81-941 real](#)

81-2794 travel tips best practices for entrepreneurs 81-2301 travel tips
81-2480 smart home tech step by step for small business 81-631 smart
sustainable living case study for startups 81-120 sustainable living
small business 81-2163 crypto trading guide United States 81-2330 crypto
 content marketing explained USA 81-2515 content marketing explained for
 practices United States 81-1551 electric vehicles best practices for
examples United States 81-1573 startup funding explained for
for small business 81-2555 small business ideas guide for entrepreneurs
81-19 luxury travel case study for creators 81-942 luxury travel case
wellness roadmap United States 81-624 mental wellness roadmap for
luxury travel tutorial for small business 81-2062 luxury travel tutorial
step for startups 81-2324 data science careers strategies USA 81-2200

Connection Example Danfoss :

The Good Doctor: Bringing Healing to the Hopeless Bringing Healing to the Hopeless [Park, Sai R.] on Amazon.com. *FREE* shipping on qualifying offers. The Good Doctor: Bringing Healing to the Hopeless. The Good Doctor: Park, Sai ... hopelessness of the suffering that must break God's heart. The extraordinary depth of love Dr. Park has for the suffering people he sees is beyond my ... The Good Doctor: Bringing Healing to the Hopeless Title, The Good Doctor: Bringing Healing to the Hopeless ; Author, Sai R. Park ; Publisher, Authentic Media, 2010 ; ISBN, 1606570846, 9781606570845 ; Length, 242 ... The Good Doctor : Bringing Healing to the Hopeless The Good Doctor : Bringing Healing to the Hopeless. USD\$18.30. Price when purchased online. Image 1 of The Good Doctor : Bringing Healing to the Hopeless. Bringing Healing to the Hopeless by Park, Sai R. ... The Good Doctor: Bringing Healing to the Hopeless by Park, Sai R. ; Quantity. 1 available ; Item Number. 195876113285 ; Binding. Paperback ; Weight. 0 lbs ; Accurate ... The Good Doctor : Bringing Healing to the Hopeless by Sai ... Good Doctor : Bringing Healing to the Hopeless, Paperback by Park, Sai R., ISBN 0830856730, ISBN-13 9780830856732, Brand New, Free shipping in the US In ... The Good Doctor: Bringing Healing to the Hopeless The Good Doctor: Bringing Healing to the Hopeless. Sai R. Park (Author). The Good Doctor: Bringing Healing to the Hopeless - Park, Sai R. FORMAT. <div class ... The Good Doctor: Bringing Healing to the Hopeless - Park ... Dec 15, 2010 — The Good Doctor: Bringing Healing to the Hopeless by Park, Sai R. - ISBN 10: 0830856730 - ISBN 13: 9780830856732 - IVP - 2010 - Softcover. The Good Doctor - Park, Sai: 9781606570845 Dec 15, 2010 — The Good Doctor: Bringing Healing to the Hopeless. Dr. Sai R. Park M.D.. Published by Biblica Publishing (2010). ISBN 10: 1606570846 ISBN 13 ... Visiting the Sick: Healing for Body and

Soul Mar 13, 2023 — Sickness in any form can bring hopelessness—in those very places, we are called to be present and offer the hope and love of Christ. Through ... CRMA Study Materials CRMA Review Manuals and Software. The new CRMA Exam Study Guide and Practice Questions, 3rd Edition, is a comprehensive review resource for candidates to ... CRMA® Exam Study Guide and Practice Questions, 2nd ... The CRMA® Exam Study Guide and Practice Questions, 2nd Edition, compiles the comprehensive review material you need to prepare for the Certification in Risk ... Free Health & Social Care Flashcards about CRMA Recert ... Study free Health & Social Care flashcards about CRMA Recert 40 Hr created by 100001321957590 to improve your grades. Matching game, word search puzzle, ... CRMA Review Materials: The Official Study Guide's Pros ... We discuss the pros and cons on CRMA Exam Study Guide, and where you can get additional practice and review materials from other sources. CRMA Exam Study Guide 1st Edition by Francis Nicholson Book overview. The Certification in Risk Management Assurance CRMA Exam Study Guide, 1st Edition, compiles the comprehensive review material you need to prepare ... CRMA Study Guide The CRMA Study Guide is designed for students and individuals new to hospitality and the revenue management/revenue optimization discipline. It is the ... CRMA and PSS Training The Certified Residential Medication Aide (CRMA) training is designed for unlicensed workers. Successful completion of this course satisfies Departmental ... Resources | CRMA Certs | CRMA | CRMA Certification The items below will help you to prepare further for CRMA class quizzes and the final exams. Fortiter Study Guide (pdf) ... CRMA Practice Questions online? : r/InternalAudit Hi, I am currently preparing for the CRMA exam and I have the "Exam Study Guide and (200) Practice Questions" as a pdf file. Certification in Risk Management Assurance (CRMA) Full study course for the IIA's CRMA certification. Learn how to audit risk management. Boy, Snow, Bird: A Novel by Oyeyemi, Helen Boy is a white woman who flees her abusive father in New York City to Flax Hill, a small town in Massachusetts. There she marries a widowed man named Arturo ... Boy, Snow, Bird by Helen Oyeyemi Aug 27, 2013 — Read 4728 reviews from the world's largest community for readers. BOY Novak turns twenty and decides to try for a brand-new life. Boy, Snow, Bird Boy, Snow, Bird is a 2014 novel by British author Helen Oyeyemi. The novel, Oyeyemi's fifth, was a loose retelling of the fairytale Snow White. Boy, Snow, Bird - Helen Oyeyemi Dazzlingly inventive and powerfully moving, Boy, Snow, Bird is an astonishing and enchanting novel. With breathtaking feats of imagination, Helen Oyeyemi ... 'Boy, Snow, Bird,' by Helen Oyeyemi Feb 27, 2014 — Set in the 1950s, Oyeyemi's novel opens on the Lower East Side of New York City, with a young white woman named Boy Novak running away from her ... Boy, Snow, Bird The latest novel from Oyeyemi (Mr. Fox) is about a woman named Boy; her stepdaughter, Snow; and her daughter, Bird. Set in the 1950s Massachusetts, ... Boy, Snow, Bird by Helen Oyeyemi review Oct 4, 2015 — Helen Oyeyemi's fifth novel finds her treating the horrors of racism in 1950s America with gentle, magical style. Boy, Snow, Bird by Helen Oyeyemi - Sometimes Leelynn Reads Mar 26, 2020 — Title: Boy, Snow, Bird Author: Helen Oyeyemi Genre: Literary Fiction Format: Hardcover Length: 308 pages. Publisher: Riverhead Books Boy, Snow, Bird by

Oyeyemi, Helen Dazzlingly inventive and powerfully moving , Boy, Snow, Bird is an astonishing and enchanting novel. With breathtaking feats of imagination, Helen Oyeyemi ... Boy, Snow, Bird: A Novel (Paperback) Dazzlingly inventive and powerfully moving, Boy, Snow, Bird is an astonishing and enchanting novel. With breathtaking feats of imagination, Helen Oyeyemi ...