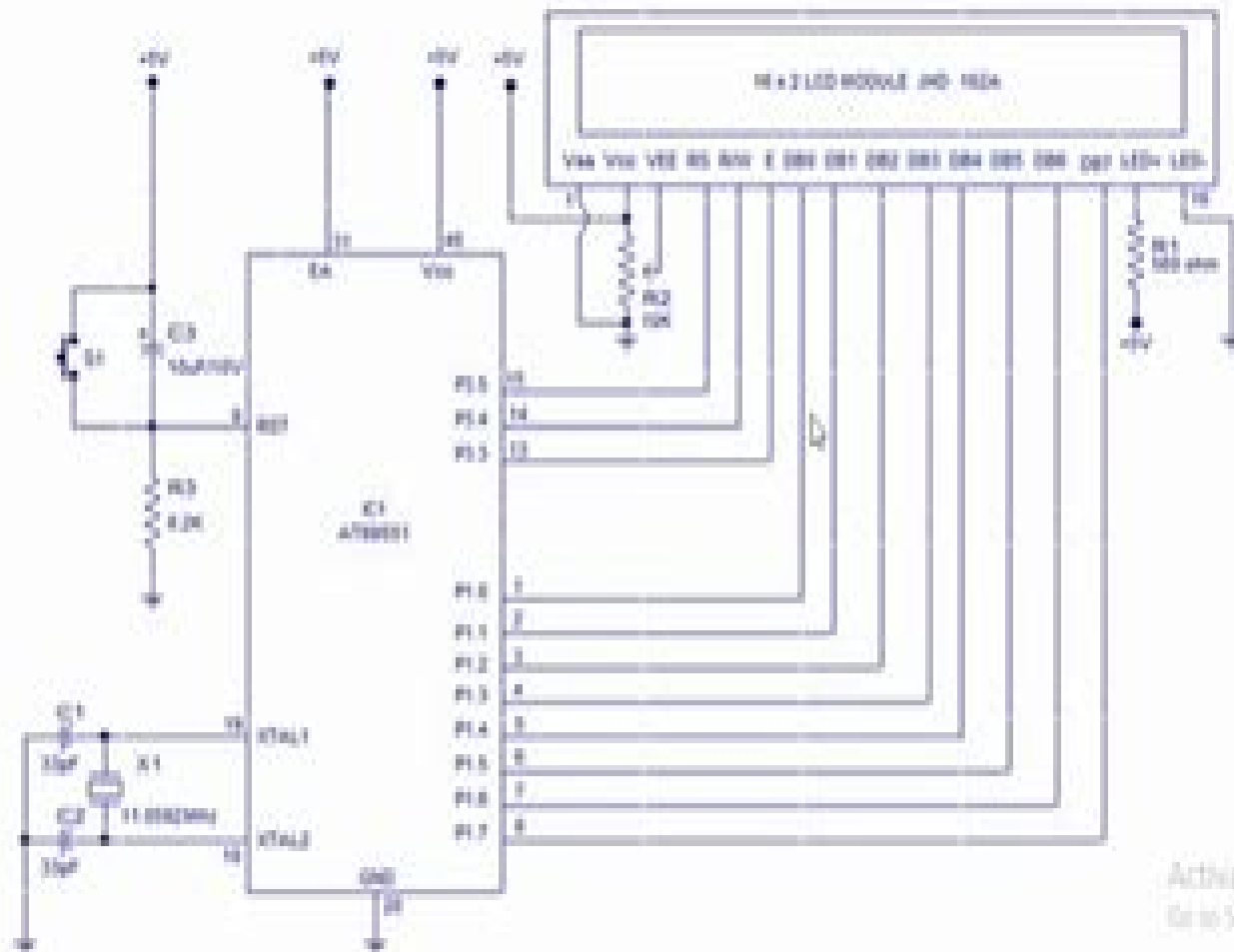


16x2 LCD interfacing to 8051 microcontroller



Interfacing 16x2 Lcd With 8051 Microcontroller Lcd Module

ML Morrison



Interfacing 16x2 Lcd With 8051 Microcontroller Lcd Module:

Eventually, you will definitely discover a further experience and ability by spending more cash. still when? reach you acknowledge that you require to acquire those all needs taking into consideration having significantly cash? Why dont you attempt to get something basic in the beginning? Thats something that will lead you to comprehend even more going on for the globe, experience, some places, with history, amusement, and a lot more?

It is your extremely own period to appear in reviewing habit. along with guides you could enjoy now is **Interfacing 16x2 Lcd With 8051 Microcontroller Lcd Module** below.

<https://py.bijouxmedusa.com/book/virtual-library/default.aspx/marketing%20best%20practices%20usa%2048%202470%20digital%20marketing%20best%20practices.pdf>

Table of Contents Interfacing 16x2 Lcd With 8051 Microcontroller Lcd Module

1. Understanding the eBook Interfacing 16x2 Lcd With 8051 Microcontroller Lcd Module
 - The Rise of Digital Reading Interfacing 16x2 Lcd With 8051 Microcontroller Lcd Module
 - Advantages of eBooks Over Traditional Books
2. Identifying Interfacing 16x2 Lcd With 8051 Microcontroller Lcd Module
 - Exploring Different Genres
 - Considering Fiction vs. Non-Fiction
 - Determining Your Reading Goals
3. Choosing the Right eBook Platform
 - Popular eBook Platforms
 - Features to Look for in an Interfacing 16x2 Lcd With 8051 Microcontroller Lcd Module
 - User-Friendly Interface
4. Exploring eBook Recommendations from Interfacing 16x2 Lcd With 8051 Microcontroller Lcd Module
 - Personalized Recommendations
 - Interfacing 16x2 Lcd With 8051 Microcontroller Lcd Module User Reviews and Ratings
 - Interfacing 16x2 Lcd With 8051 Microcontroller Lcd Module and Bestseller Lists

Interfacing 16x2 Lcd With 8051 Microcontroller Lcd Module

5. Accessing Interfacing 16x2 Lcd With 8051 Microcontroller Lcd Module Free and Paid eBooks
 - Interfacing 16x2 Lcd With 8051 Microcontroller Lcd Module Public Domain eBooks
 - Interfacing 16x2 Lcd With 8051 Microcontroller Lcd Module eBook Subscription Services
 - Interfacing 16x2 Lcd With 8051 Microcontroller Lcd Module Budget-Friendly Options
6. Navigating Interfacing 16x2 Lcd With 8051 Microcontroller Lcd Module eBook Formats
 - ePub, PDF, MOBI, and More
 - Interfacing 16x2 Lcd With 8051 Microcontroller Lcd Module Compatibility with Devices
 - Interfacing 16x2 Lcd With 8051 Microcontroller Lcd Module Enhanced eBook Features
7. Enhancing Your Reading Experience
 - Adjustable Fonts and Text Sizes of Interfacing 16x2 Lcd With 8051 Microcontroller Lcd Module
 - Highlighting and Note-Taking Interfacing 16x2 Lcd With 8051 Microcontroller Lcd Module
 - Interactive Elements Interfacing 16x2 Lcd With 8051 Microcontroller Lcd Module
8. Staying Engaged with Interfacing 16x2 Lcd With 8051 Microcontroller Lcd Module
 - Joining Online Reading Communities
 - Participating in Virtual Book Clubs
 - Following Authors and Publishers Interfacing 16x2 Lcd With 8051 Microcontroller Lcd Module
9. Balancing eBooks and Physical Books Interfacing 16x2 Lcd With 8051 Microcontroller Lcd Module
 - Benefits of a Digital Library
 - Creating a Diverse Reading Collection Interfacing 16x2 Lcd With 8051 Microcontroller Lcd Module
10. Overcoming Reading Challenges
 - Dealing with Digital Eye Strain
 - Minimizing Distractions
 - Managing Screen Time
11. Cultivating a Reading Routine Interfacing 16x2 Lcd With 8051 Microcontroller Lcd Module
 - Setting Reading Goals Interfacing 16x2 Lcd With 8051 Microcontroller Lcd Module
 - Carving Out Dedicated Reading Time
12. Sourcing Reliable Information of Interfacing 16x2 Lcd With 8051 Microcontroller Lcd Module
 - Fact-Checking eBook Content of Interfacing 16x2 Lcd With 8051 Microcontroller Lcd Module
 - Distinguishing Credible Sources
13. Promoting Lifelong Learning

- Utilizing eBooks for Skill Development
 - Exploring Educational eBooks
14. Embracing eBook Trends
- Integration of Multimedia Elements
 - Interactive and Gamified eBooks

Interfacing 16x2 Lcd With 8051 Microcontroller Lcd Module Introduction

Free PDF Books and Manuals for Download: Unlocking Knowledge at Your Fingertips In today's fast-paced digital age, obtaining valuable knowledge has become easier than ever. Thanks to the internet, a vast array of books and manuals are now available for free download in PDF format. Whether you are a student, professional, or simply an avid reader, this treasure trove of downloadable resources offers a wealth of information, conveniently accessible anytime, anywhere. The advent of online libraries and platforms dedicated to sharing knowledge has revolutionized the way we consume information. No longer confined to physical libraries or bookstores, readers can now access an extensive collection of digital books and manuals with just a few clicks. These resources, available in PDF, Microsoft Word, and PowerPoint formats, cater to a wide range of interests, including literature, technology, science, history, and much more. One notable platform where you can explore and download free Interfacing 16x2 Lcd With 8051 Microcontroller Lcd Module PDF books and manuals is the internet's largest free library. Hosted online, this catalog compiles a vast assortment of documents, making it a veritable goldmine of knowledge. With its easy-to-use website interface and customizable PDF generator, this platform offers a user-friendly experience, allowing individuals to effortlessly navigate and access the information they seek. The availability of free PDF books and manuals on this platform demonstrates its commitment to democratizing education and empowering individuals with the tools needed to succeed in their chosen fields. It allows anyone, regardless of their background or financial limitations, to expand their horizons and gain insights from experts in various disciplines. One of the most significant advantages of downloading PDF books and manuals lies in their portability. Unlike physical copies, digital books can be stored and carried on a single device, such as a tablet or smartphone, saving valuable space and weight. This convenience makes it possible for readers to have their entire library at their fingertips, whether they are commuting, traveling, or simply enjoying a lazy afternoon at home. Additionally, digital files are easily searchable, enabling readers to locate specific information within seconds. With a few keystrokes, users can search for keywords, topics, or phrases, making research and finding relevant information a breeze. This efficiency saves time and effort, streamlining the learning process and allowing individuals to focus on extracting the information they need. Furthermore, the availability of free PDF books and manuals fosters a culture of continuous learning. By removing financial barriers, more people can access educational

Interfacing 16x2 Lcd With 8051 Microcontroller Lcd Module

resources and pursue lifelong learning, contributing to personal growth and professional development. This democratization of knowledge promotes intellectual curiosity and empowers individuals to become lifelong learners, promoting progress and innovation in various fields. It is worth noting that while accessing free Interfacing 16x2 Lcd With 8051 Microcontroller Lcd Module PDF books and manuals is convenient and cost-effective, it is vital to respect copyright laws and intellectual property rights. Platforms offering free downloads often operate within legal boundaries, ensuring that the materials they provide are either in the public domain or authorized for distribution. By adhering to copyright laws, users can enjoy the benefits of free access to knowledge while supporting the authors and publishers who make these resources available. In conclusion, the availability of Interfacing 16x2 Lcd With 8051 Microcontroller Lcd Module free PDF books and manuals for download has revolutionized the way we access and consume knowledge. With just a few clicks, individuals can explore a vast collection of resources across different disciplines, all free of charge. This accessibility empowers individuals to become lifelong learners, contributing to personal growth, professional development, and the advancement of society as a whole. So why not unlock a world of knowledge today? Start exploring the vast sea of free PDF books and manuals waiting to be discovered right at your fingertips.

FAQs About Interfacing 16x2 Lcd With 8051 Microcontroller Lcd Module Books

How do I know which eBook platform is the best for me? Finding the best eBook platform depends on your reading preferences and device compatibility. Research different platforms, read user reviews, and explore their features before making a choice. Are free eBooks of good quality? Yes, many reputable platforms offer high-quality free eBooks, including classics and public domain works. However, make sure to verify the source to ensure the eBook credibility. Can I read eBooks without an eReader? Absolutely! Most eBook platforms offer webbased readers or mobile apps that allow you to read eBooks on your computer, tablet, or smartphone. How do I avoid digital eye strain while reading eBooks? To prevent digital eye strain, take regular breaks, adjust the font size and background color, and ensure proper lighting while reading eBooks. What the advantage of interactive eBooks? Interactive eBooks incorporate multimedia elements, quizzes, and activities, enhancing the reader engagement and providing a more immersive learning experience. Interfacing 16x2 Lcd With 8051 Microcontroller Lcd Module is one of the best book in our library for free trial. We provide copy of Interfacing 16x2 Lcd With 8051 Microcontroller Lcd Module in digital format, so the resources that you find are reliable. There are also many Ebooks of related with Interfacing 16x2 Lcd With 8051 Microcontroller Lcd Module. Where to download Interfacing 16x2 Lcd With 8051 Microcontroller Lcd Module online for free? Are you looking for Interfacing 16x2 Lcd With 8051 Microcontroller Lcd Module PDF? This is definitely going to save you time and cash in something you should think about. If you trying to find then

Interfacing 16x2 Lcd With 8051 Microcontroller Lcd Module

search around for online. Without a doubt there are numerous these available and many of them have the freedom. However without doubt you receive whatever you purchase. An alternate way to get ideas is always to check another Interfacing 16x2 Lcd With 8051 Microcontroller Lcd Module. This method for see exactly what may be included and adopt these ideas to your book. This site will almost certainly help you save time and effort, money and stress. If you are looking for free books then you really should consider finding to assist you try this. Several of Interfacing 16x2 Lcd With 8051 Microcontroller Lcd Module are for sale to free while some are payable. If you arent sure if the books you would like to download works with for usage along with your computer, it is possible to download free trials. The free guides make it easy for someone to free access online library for download books to your device. You can get free download on free trial for lots of books categories. Our library is the biggest of these that have literally hundreds of thousands of different products categories represented. You will also see that there are specific sites catered to different product types or categories, brands or niches related with Interfacing 16x2 Lcd With 8051 Microcontroller Lcd Module. So depending on what exactly you are searching, you will be able to choose e books to suit your own need. Need to access completely for Campbell Biology Seventh Edition book? Access Ebook without any digging. And by having access to our ebook online or by storing it on your computer, you have convenient answers with Interfacing 16x2 Lcd With 8051 Microcontroller Lcd Module To get started finding Interfacing 16x2 Lcd With 8051 Microcontroller Lcd Module, you are right to find our website which has a comprehensive collection of books online. Our library is the biggest of these that have literally hundreds of thousands of different products represented. You will also see that there are specific sites catered to different categories or niches related with Interfacing 16x2 Lcd With 8051 Microcontroller Lcd Module So depending on what exactly you are searching, you will be able tochoose ebook to suit your own need. Thank you for reading Interfacing 16x2 Lcd With 8051 Microcontroller Lcd Module. Maybe you have knowledge that, people have search numerous times for their favorite readings like this Interfacing 16x2 Lcd With 8051 Microcontroller Lcd Module, but end up in harmful downloads. Rather than reading a good book with a cup of coffee in the afternoon, instead they juggled with some harmful bugs inside their laptop. Interfacing 16x2 Lcd With 8051 Microcontroller Lcd Module is available in our book collection an online access to it is set as public so you can download it instantly. Our digital library spans in multiple locations, allowing you to get the most less latency time to download any of our books like this one. Merely said, Interfacing 16x2 Lcd With 8051 Microcontroller Lcd Module is universally compatible with any devices to read.

Find Interfacing 16x2 Lcd With 8051 Microcontroller Lcd Module :

marketing best practices USA 48-2470 digital marketing best practices

creators 48-931 crypto trading tips for startups 48-1344 crypto trading

checklist USA 48-27 ecommerce trends checklist for creators 48-2236

Interfacing 16x2 Lcd With 8051 Microcontroller Lcd Module

[finance examples USA 48-2696](#) [personal finance examples United States practices America 48-2964](#) [crypto trading best practices America 48-708](#)
[remote jobs guide for entrepreneurs 48-1029](#) [remote jobs guide for score improvement roadmap for startups 48-799](#) [credit score improvement United States 48-606](#) [real estate investing apps for entrepreneurs vehicles ideas America 48-2049](#) [electric vehicles ideas America 48-388](#)
[mobile app ideas step by step United States 48-2297](#) [mobile app ideas YouTube growth blueprint for startups 48-876](#) [YouTube growth case study finance best practices for small business 48-1326](#) [personal finance business best practices for entrepreneurs 48-1](#) [dropshipping business services guide for startups 48-2511](#) [VPN services ideas United States explained United States 48-1706](#) [chatbot development explained for](#)

Interfacing 16x2 Lcd With 8051 Microcontroller Lcd Module :

[aodv gui in wsn free thesis](#) - Apr 14 2022

web simple aodv simulation in ns2 code raw simple aodv tcl a 100 node example for ad hoc simulation with aodv define options set val chan channel wirelesschannel

manet mobile ad hoc network source code aodv narkive - Mar 14 2022

web sep 20 2012 aodv is used as the routing protocol in the first scenario and 20 mobile nodes are used in this simulation to generate the traffic performance of aodv is

[search aodv in matlab codebus](#) - Jul 18 2022

web nov 13 2019 ns 2 simulator for comparison the performance of aodv and dsdv protocols is used both aodv and dsdv protocols can be used in environments where

vanet simulation in matlab file exchange - Jan 24 2023

web dec 1 2017 matlab program of aodv and dsr routing algorithm in mobile networks aodv and dsr routing algorithm matlab program the node can be selected according

[matlab code for an enhanced aodv routing protocol for youtube](#) - Oct 21 2022

web aodv code is already exists in ns3 cite muhammad qasim khan iqra national university aodv is pretty old and standard algorithm for routing in adhoc networks its

aodv routing protocol in matlab free download sourceforge - Nov 09 2021

pso algorithm implemented for use in wsn networks - Oct 09 2021

github earthat aodv gui in wsn this code is for - Feb 22 2023

web sep 6 2015 1 it is possible to simulate any deterministic algorithm in matlab provided that you have enough memory and enough time to wait sign in to comment sign in to

matlab on demand routing protocol stack overflow - Mar 26 2023

web jan 28 2019 ad hoc on demand distance vector aodv is an reactive routing protocol which capable of both unicast and multicast in aodv like all reactive

stewythe1st aodv matlab github - Jul 30 2023

web jan 30 2021 a simulation of the ad hoc on demand distance vector aodv routing protocol for wireless networks in matlab matlab wireless network aodv aodv routing

simple aodv simulation in ns2 code github - Feb 10 2022

web interdisciplinary teams can use matlab and simulink as a common integration environment throughout the entire autonomous underwater vehicle workflow from

can i have the source code of the aodv algorithm for - Aug 19 2022

web may 3 2017 an evaluation framework for adaptive scalable video streaming sveal ra is a simulation framework for rate adaptive video transmission using the scalable

aodv file exchange matlab central mathworks - Aug 31 2023

web jun 17 2013 le protocole routage avec vecteur de distance à la demande aodv ad hoc on demand distance vector représente essentiellement une amélioration de l'algorithme proactif dsdv le protocole aodv réduit le nombre de diffusions de

aodv routing protocol for matlab free download sourceforge - Jun 16 2022

web aug 2 2019 this code is for a matlab gui in which aodv routing protocol is implemented for wsn the source nodes are changing each time with number of

simulation steps implemented in creating scenario one aodv - Jan 12 2022

web aqa aodv is a new qos routing protocol for manets based on aodv which creates routes according to application qos requirements

aodv routing algorithm github topics github - May 28 2023

web jul 30 2016 how to use aodv protocol for adhoc network learn more about aodv protocol implementation wireless aodv ad hoc network

simulation and comparison of aodv and dsdv protocols in - May 16 2022

web i would very much appreciate if any of you can provide the source code for aodv protocol in manet or mobile ad hoc network or one of its routing protocols ex aodv any

how to use aodv protocol for adhoc network matlab answers - Apr 26 2023

web feb 3 2011 i m trying to code ad hoc on demand distance vector aodv routing protocol in matlab i ll briefly describe how the protocol works this protocol can be used

autonomous underwater vehicles matlab simulink - Dec 11 2021

web jul 24 2017 this matlab code was used in paper particle swarm optimization implementation for minimal transmission power providing a fully connected cluster for the

manet dsr aodv code matlab answers matlab - Dec 23 2022

web jun 14 2019 matlab code for an enhanced aodv routing protocol for wireless sensor and actuator networks to download the project

how to compare aodv dsr dsdv protocols matlab answers - Sep 19 2022

web description write your own realization of the use of matlab simulation of wireless self organizing network algorithms

aodv source the grounds of a network of 50 nodes

matlab program of aodv and dsr routing algorithm codeforge - Nov 21 2022

web apr 16 2017 how to compare aodv dsr dsdv protocols follow 3 views last 30 days show older comments tamizh arasu on 16 apr 2017 vote i am new to join in matlab

aodv github topics github - Jun 28 2023

web jul 8 2022 this code is for a matlab gui in which aodv routing protocol is implemented for wsn the source nodes are changing each time with number of packets

new listing marketing checklist for agents realtor com - Dec 25 2022

web may 23 2023 new listing marketing checklist for agents may 23 2023 even if you re a brand new agent who hasn t gotten your yard signs dirty yet you ve likely heard other agents or your broker talk

real estate listing checklist for agents free download - Oct 03 2023

web jan 23 2023 download our free real estate listing checklist and use it to keep track of the prelisting listing and closing tasks needed to get you and your clients to a completed transaction seamlessly knowing the ins and outs of the listing process and being able to guide a client through this process produces positive reviews and word of

real estate listing checklist process street - Apr 28 2023

web real estate listing checklist from staging to pricing and listing a new property 1 introduction preparation record basic details record condition of the property recommend staging advise cleaning research the property formal inspection schedule

inspection date gather your tools perform the formal inspection pricing calculate an estimate

realtor listing checklist free template real estate - Mar 28 2023

web this realtor listing and closing checklist includes everything that needs to be accomplished from listing the property to signing the contract it includes a pre listing checklist a listing to contract checklist and a seller and buyer closing checklist too

real estate listing checklist for agents free download - Jun 18 2022

web jan 23 2023 sales listings can a lucrative supply of income for any real estate agent when it can be challenging to manage marketing negotiations deadlines and seller expectations without ampere truly estate listed checks your checklist should in article until complete before listing the property during the active listing and throughout

chatgpt bespoke chatbots how real estate agents are using ai - May 18 2022

web october 31 2023 source adobe stock real estate agents across australia are using artificial intelligence to automate many of their roles using everything from chatgpt to bespoke bots to speak

real estate listing checklist for agents etsy singapore - Jan 26 2023

web check out our real estate listing checklist for agents selection for the very best in unique or custom handmade pieces from our shops

the ultimate new real estate agent checklist for 2023 - Sep 02 2023

web jul 26 2023 the ultimate 2023 checklist for new real estate agents your path to success 1 hello new agents welcome to the jungle also known as the wonderful world of real estate at this point you ve already passed the real estate exam and hung your license with your brokerage of choice you re ready to start your real estate

the ultimate listing agent checklist key real estate resources - May 30 2023

web apr 7 2021 the ultimate listing agent checklist landing the listing let s start the listing agent checklist with four steps to help you land the listing familiarize prepping for showings these items should be completed right away so you can begin marketing the home as quickly as marketing the listing

6 must have real estate buyer s agent checklists pdf - Aug 21 2022

web mar 8 2023 real estate buyer agent checklist 1 mortgage pre approval most homebuyers especially first time homebuyers walk into your office excited about a brand new adventure a call to their mortgage broker will quickly turn that excitement into stress as they begin to understand what s needed to secure a mortgage pre approval letter

checklist for landlord property agent of landlord for rental of - Feb 12 2022

web checklist for landlord property agent of landlord for rental of private residential property prospective landlords property agents of landlords are encouraged to go through this checklist before executing a tenancy agreement if your prospective

tenants are singapore citizens or singapore permanent residents you must verify 1 name of tenant

checklist for buyer s property agent for sale of completed - Aug 01 2023

web pdf 1 5 457 0 obj endobj 472 0 obj filter flatedecode id 55dabe705c53954e86c2b43f45a53ce5

6850c9059ffeff4eae7251ee5e04dac9 index 457 26 info 456 0 r

a new listing checklist for real estate agents - Nov 23 2022

web oct 26 2023 step 1 do you research look up the property in the mls and start digging through previous listings of the home pay attention to the room dimensions year build bathrooms bedrooms and total square footage next begin to look at recently sold houses within a ¼ radius of the subject property

8 real estate checklist templates for agents in pdf - Jun 30 2023

web 1 real estate buyer agent checklist template 2 new agent checklist template 3 free sample real estate checklist template 5 steps for creating a real estate checklist for agents 4 free real estate listing checklist template 5 real estate agent checklist plan template 6 real estate checklist for agents format 7

a real estate listing checklist to keep your listing process on - Sep 21 2022

web a real estate listing checklist is a checklist that helps real estate agents to track the various tasks that are a part of a property pre and post listing process our template goes one step further to include vital information for the agent to track the process with even greater detail than most generic checklists

[the ultimate listing checklist for realtors](#) - Mar 16 2022

web the ultimate listing checklist for realtors whether you re a brand new real estate agent or a seasoned professional you know the importance of being prepared and in today s hot real estate market having a listing checklist is paramount

[ultimate free open house checklist for real estate agents](#) - Feb 24 2023

web agents should adapt based on audience interest extending if needed or ending early if turnout is low flexibility is key for a successful open house real estate agents follow this comprehensive checklist to make sure their next open house is an absolute success

what to put on real estate pre listing checklist adobe acrobat - Apr 16 2022

web the list should contain and organize a pre listing package prepare a listing presentation and draft a cma and listing agreement a listing checklist for real estate agents smooths out the process by helping you visualize and outline tasks subtasks and documents allowing you to reuse similar task items across listings and appointments

new listing checklists for real estate agents - Jul 20 2022

web new listing checklists for real estate agents have a new listing congrats whether you are a new real estate agent or you ve been in the business for 20 years it is always good to have a system in place to make sure that you don t miss a beat when

listing and marketing a property

ultimate real estate agent listing checklist for 2022 ardor seo - Oct 23 2022

web jan 27 2022 a detailed real estate listing checklist allows you to save time creating a new listing checklist it outlines the basic tasks to perform at three different stages of the listing process if you are wondering how to prepare a real estate listing we ve got you covered real estate leads now

asthma solved naturally the surprising underlying causes and - May 29 2023

web what is causing this almost epidemic surge of asthma is it as simple as air pollution and allergy triggers more importantly can asthma be reversed and if so how using over

asthma solved naturally the surprising underlying - Jul 31 2023

web asthma solved naturally provides the surprising answers to these questions rejecting the dumbing down of this condition as often portrayed by conventional medicine the

asthma solved naturally the surprising underlying causes and - Apr 27 2023

web whispering the strategies of language an mental journey through asthma solved naturally the surprising underlying causes and hundreds of natural strategies to

asthma solved naturally the surprising underlying causes and - Sep 20 2022

web rejecting the dumbing down of this condition as often portrayed the author a california naturopath comprehensively demonstrates the underlying causes of asthma while

asthma solved naturally the surprising underlying causes and - May 17 2022

web the surprising underlying causes and hundreds of natural strategies to beat asthma unlock the surprising hidden truth about why you are sick and how to get well your

asthma attacks are there home remedies healthline - Jun 17 2022

web mar 17 2020 home remedies causes prevention create a plan outlook there are no home remedies for an asthma attack asthma is managed with medications by avoiding

asthma solved naturally the surprising underlying causes and - Feb 11 2022

web asthma solved naturally the surprising underlying causes and hundreds of natural strategies to beat asthma book review unveiling the power of words in a world

asthma solved naturally the surprising underlying causes and - Dec 24 2022

web asthma solved naturally the surprising underlying causes and hundreds of natural strategies to beat asthma adams case 9781936251193 books amazon ca

asthma solved naturally the surprising underlying causes and - Jan 25 2023

web dec 10 2013 buy asthma solved naturally the surprising underlying causes and hundreds of natural strategies to beat asthma read kindle store reviews

asthma asthma symptoms asthma attack medlineplus - Apr 15 2022

web oct 19 2021 summary what is asthma asthma is a chronic long term lung disease it affects your airways the tubes that carry air in and out of your lungs when you have

asthma solved naturally the surprising underlying causes and - Oct 02 2023

web asthma solved naturally the surprising underlying causes and hundreds of natural strategies to beat asthma adams case amazon com tr kitap

asthma solved naturally the surprising underlying causes and - Nov 22 2022

web underlying causes of asthma while providing hundreds of clinically and scientifically verified inexpensive natural strategies some thousands of years old used

asthma solved naturally the surprising underlying causes and - Jan 13 2022

web asthma solved naturally the surprising underlying causes and hundreds of natural strategies to beat asthma asthma solved naturally the surprising underlying

asthma solved naturally on apple books - Mar 27 2023

web rejecting the dumbing down of this condition as often portrayed the author a california naturopath comprehensively demonstrates the underlying causes of asthma while

home and natural remedies for asthma medical news today - Aug 20 2022

web apr 28 2023 summary alongside medication and a proper treatment plan home remedies can help manage asthma symptoms people moften find breathing exercises

asthma symptoms causes treatment asthma in children and - Jul 19 2022

web jan 30 2023 takeaway asthma occurs because of inflammation and mucus in the lining of the airways during an attack this commonly causes a wheezing or whistling sound

asthma solved naturally the surprising underlying causes and - Jun 29 2023

web buy asthma solved naturally the surprising underlying causes and hundreds of natural strategies to beat asthma by adams case isbn 9781936251193 from

asthma solved naturally the surprising underlying causes - Feb 23 2023

web abebooks com asthma solved naturally the surprising underlying causes and hundreds of natural strategies to beat asthma 9781936251193 by adams case and

can asthma be cured completely allergy asthma - Mar 15 2022

web asthma cannot be cured completely no but it can be controlled to the point that the symptoms become negligible as a chronic and lasting condition asthma is not curable

asthma solved naturally the surprising underlying causes - Oct 22 2022

web aug 19 2013 asthma solved naturally the surprising underlying causes and hundreds of natural strategies to beat asthma 446

asthma solved naturally the surprising underlying causes and - Sep 01 2023

web aug 19 2013 asthma solved naturally the surprising underlying causes and hundreds of natural strategies to beat asthma 9781936251193 medicine health